



US00D740469S

(12) **United States Design Patent**
Gipaya

(10) **Patent No.:** **US D740,469 S**

(45) **Date of Patent:** **** *Oct. 6, 2015**

(54) **VEHICLE BEACON FOR PEDESTRIAN WITH FLAT BASE**

(71) Applicant: **Gerald D. Gipaya**, Ewa Beach, HI (US)

(72) Inventor: **Gerald D. Gipaya**, Ewa Beach, HI (US)

(*) Notice: This patent is subject to a terminal disclaimer.

(**) Term: **14 Years**

(21) Appl. No.: **29/480,756**

(22) Filed: **Jan. 29, 2014**

(51) **LOC (10) Cl.** **26-06**

(52) **U.S. Cl.**
USPC **D26/28**

(58) **Field of Classification Search**
USPC D26/28-36, 39, 60-66, 121, 138-140,
D26/142; 362/84, 341, 473, 475, 511, 523;
D12/187-189
CPC F21V 15/01; F21V 15/013; F21V 21/02;
F21V 21/04; F21V 7/0008
See application file for complete search history.

(56) **References Cited**

U.S. PATENT DOCUMENTS

D393,729 S *	4/1998	Tuttle	D26/28
D424,723 S *	5/2000	Hall et al.	D26/28
D438,658 S *	3/2001	Meschi	D26/60
D479,349 S *	9/2003	Kuo	D26/28
D492,802 S *	7/2004	Kuo	D26/28
D518,205 S *	3/2006	Phillips et al.	D26/28
D542,951 S *	5/2007	Yeh	D26/28

D544,971 S *	6/2007	Anderson et al.	D26/28
D551,787 S *	9/2007	Yeoman et al.	D26/28
D584,439 S *	1/2009	Wu	D26/62
D590,967 S *	4/2009	Huang	D26/28

* cited by examiner

Primary Examiner — Garth Rademaker

Assistant Examiner — LLorelys Martinez-Rivera

(74) *Attorney, Agent, or Firm* — Leighton K. Chong

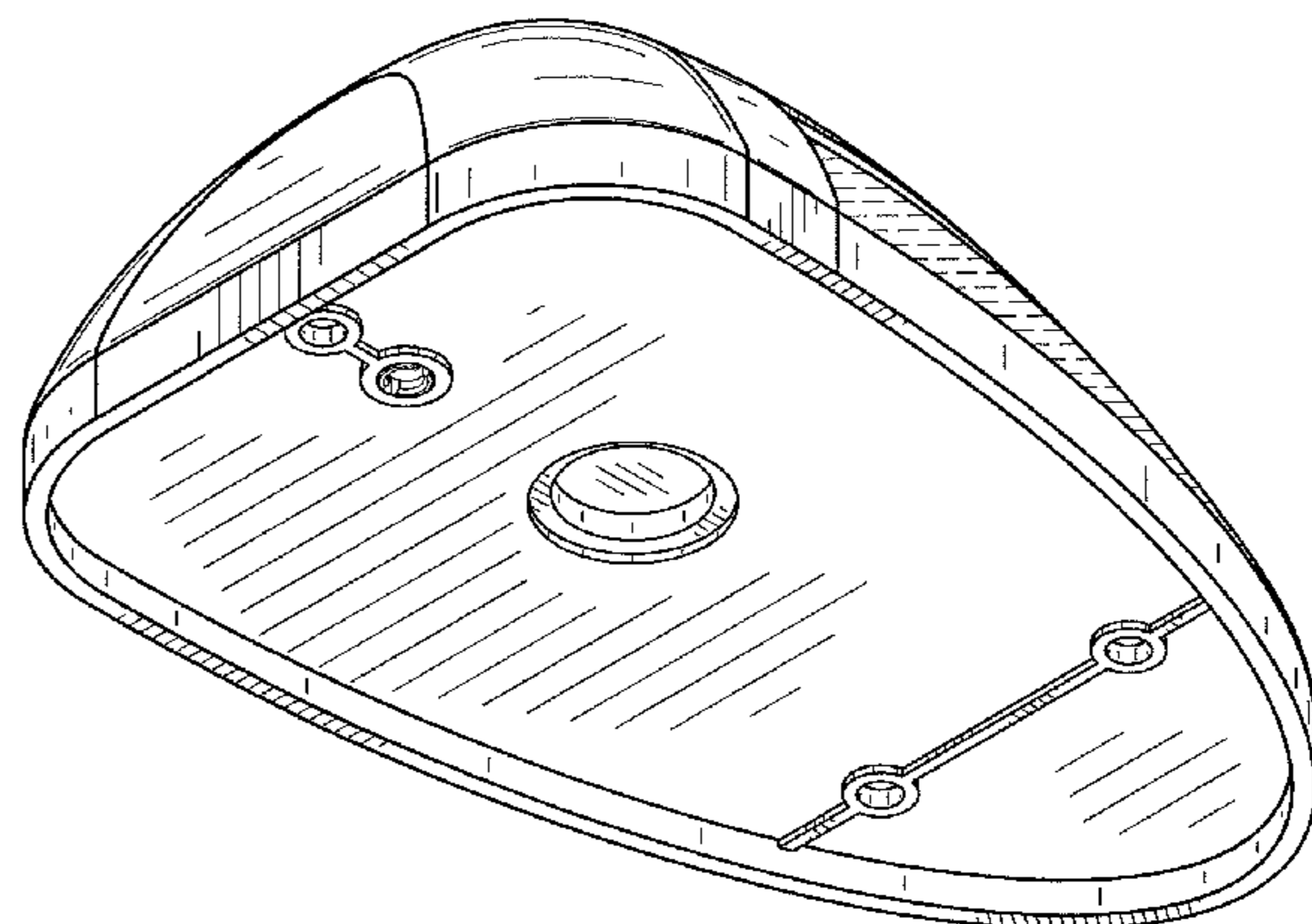
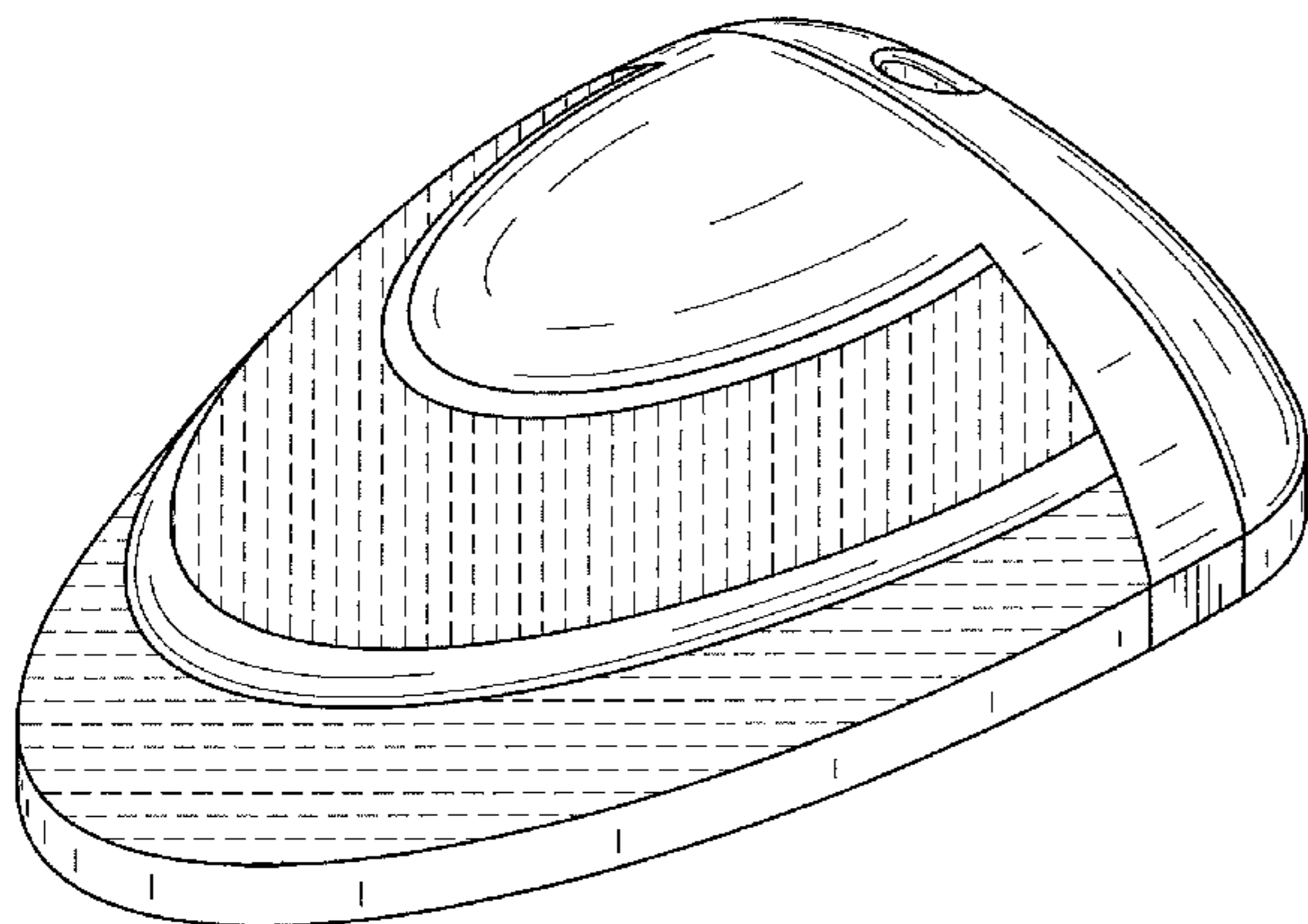
(57) **CLAIM**

The ornamental design for a vehicle beacon for pedestrian with flat base, as shown and described.

DESCRIPTION

FIG. 1 is a top perspective view of a vehicle beacon for pedestrian with flat base showing my new design;
 FIG. 2 is a bottom perspective view thereof;
 FIG. 3 is a front view thereof;
 FIG. 4 is a rear view thereof;
 FIG. 5 is a right side view thereof, the left side view being a mirror image thereof;
 FIG. 6 is a top view thereof;
 FIG. 7 is a bottom view thereof.
 FIG. 8 is a perspective view thereof, showing the claimed design in an environment of use; and,
 FIG. 9 is another perspective view thereof, showing the claimed design in an environment of use.
 The broken line surface patterns shown in the top and bottom lens portions of FIGS. 1-9 illustrate contrasting appearance and form no part of the claimed design. All other broken lines illustrate environmental subject matter only and form no part of the claimed design.

1 Claim, 6 Drawing Sheets



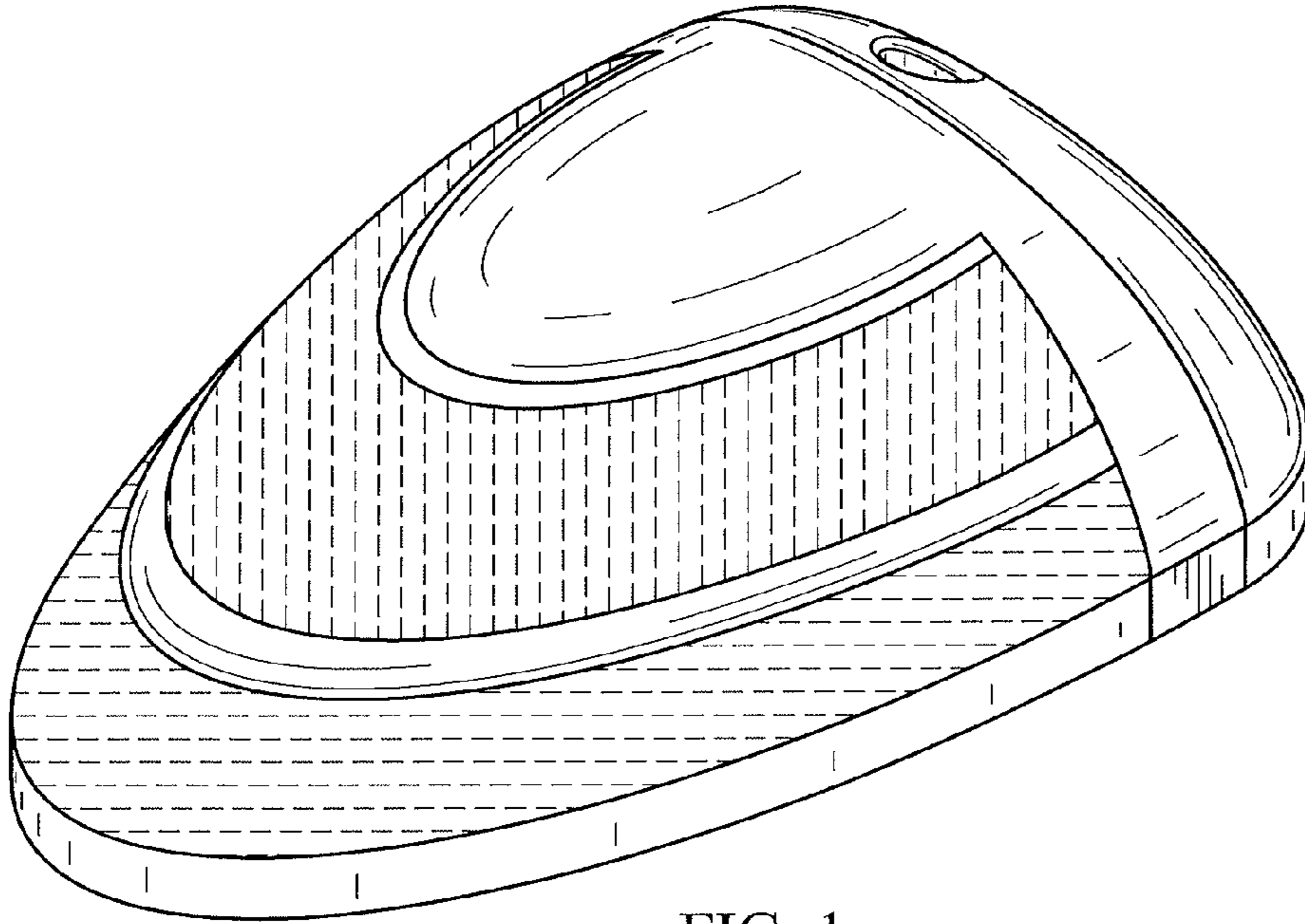


FIG. 1

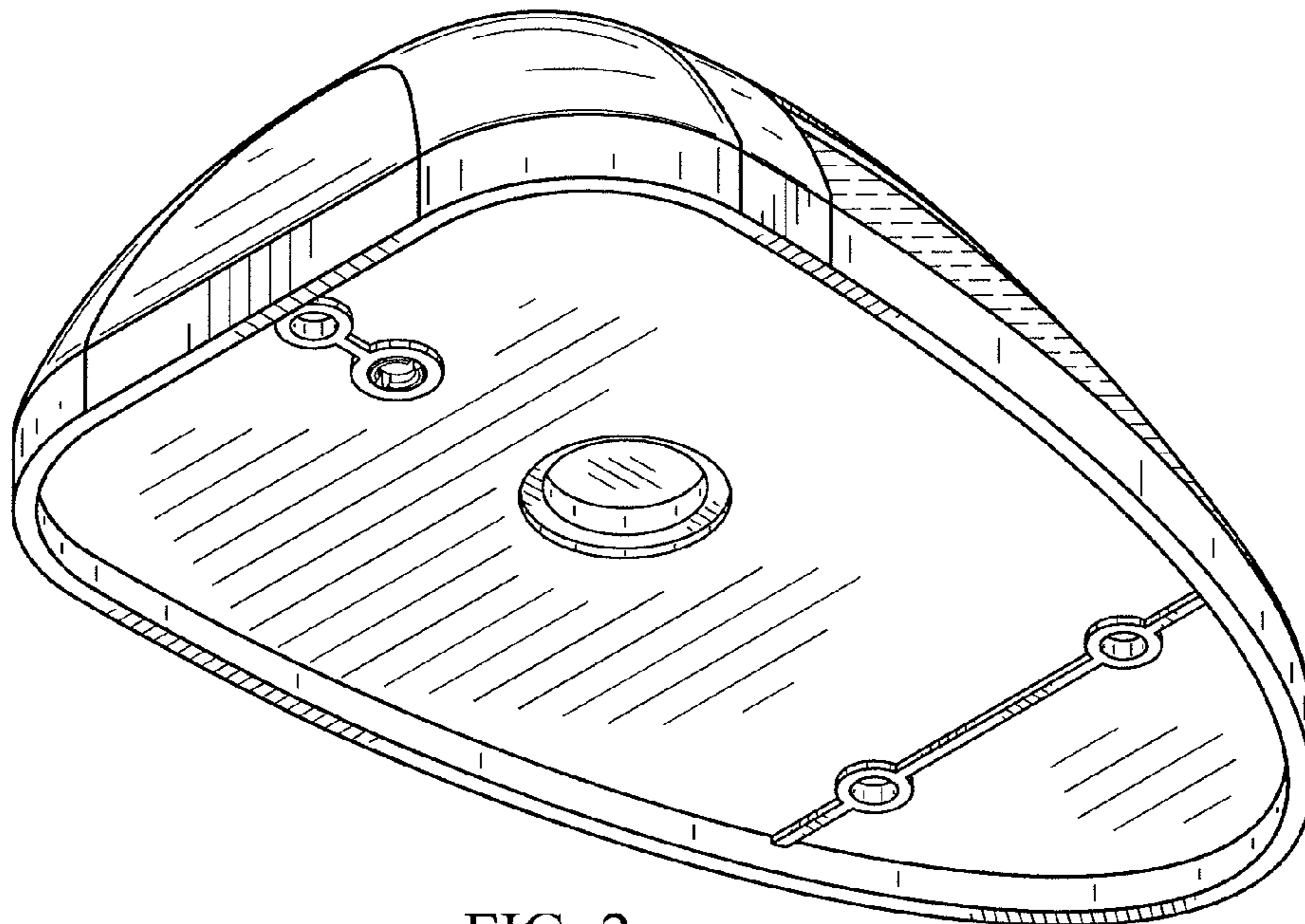


FIG. 2

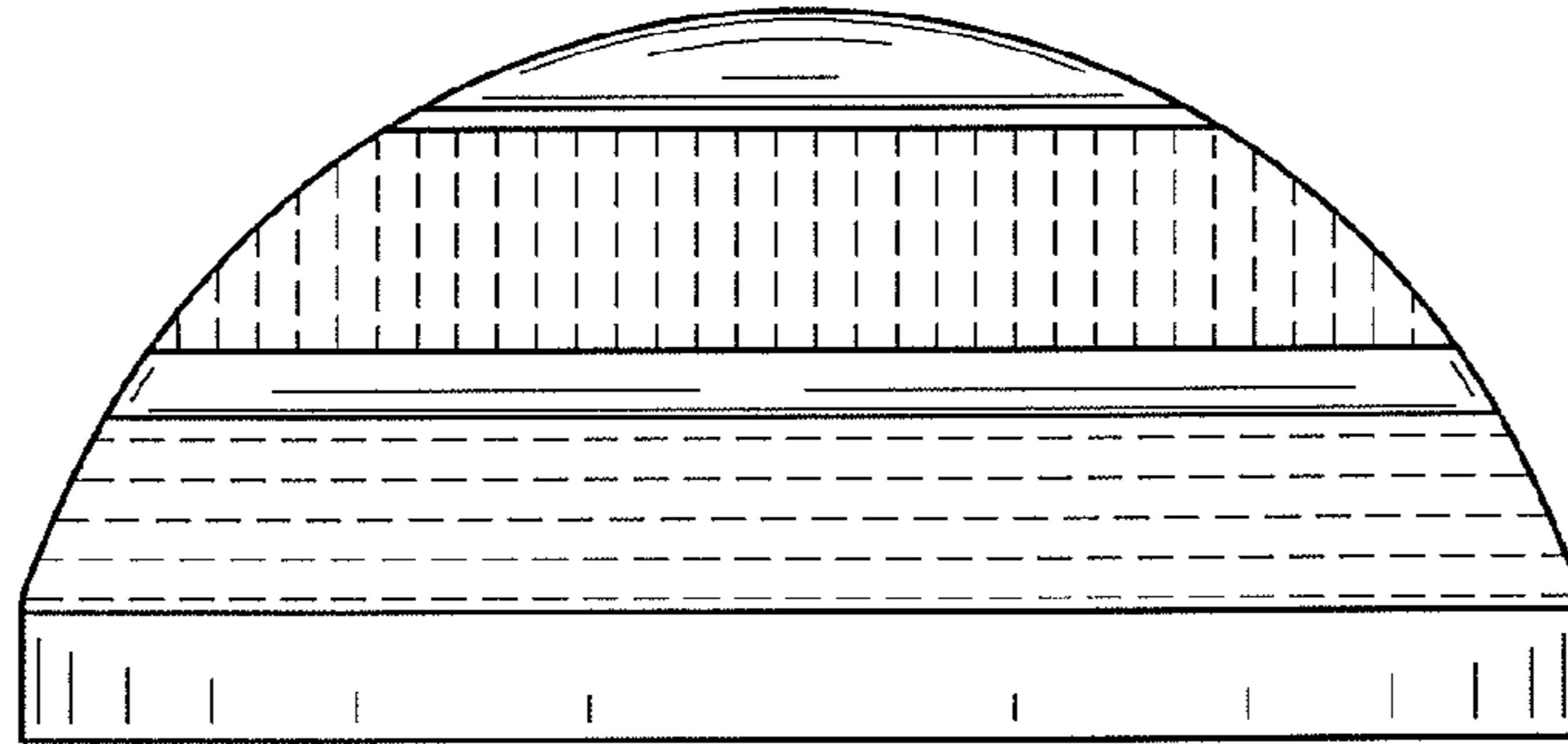


FIG. 3

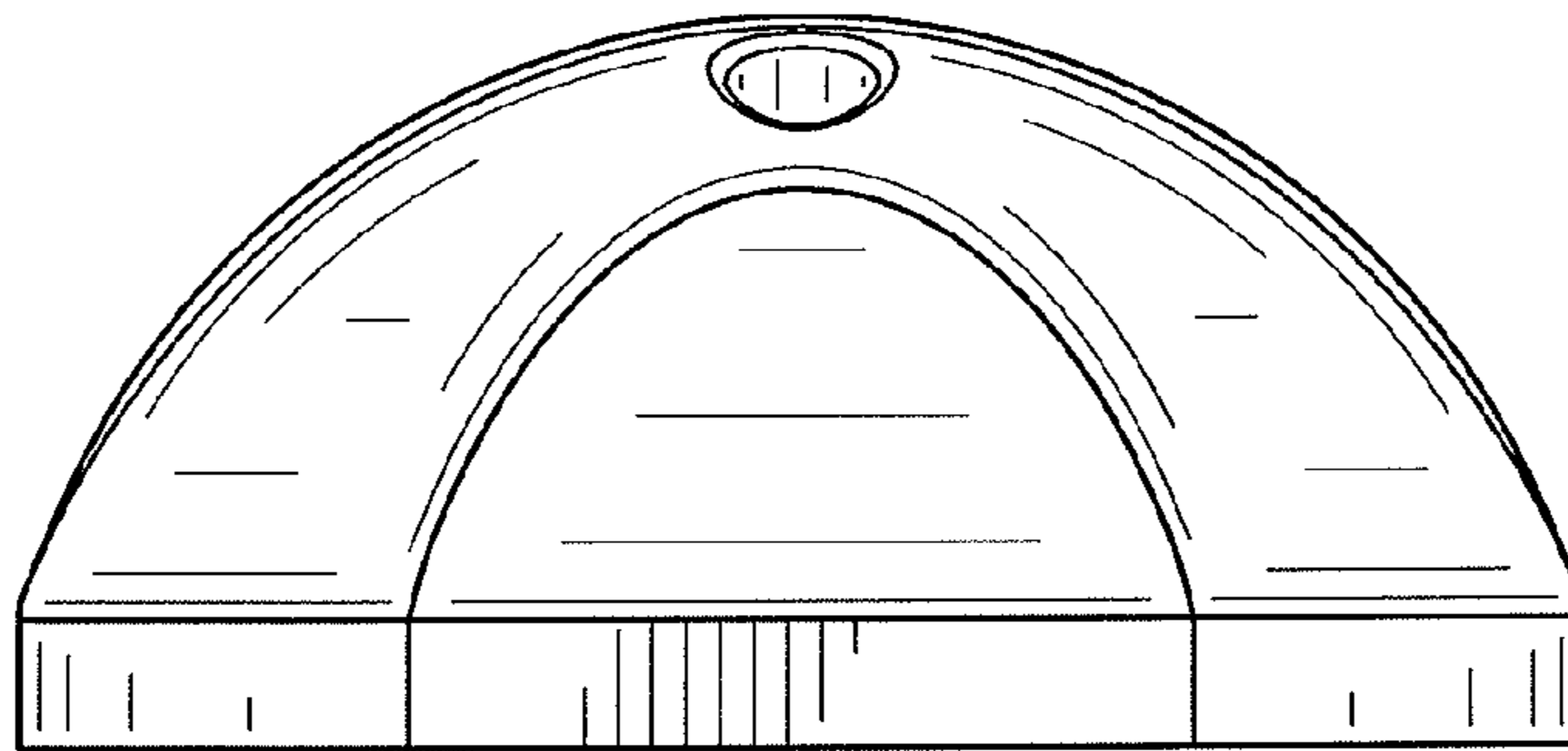


FIG. 4

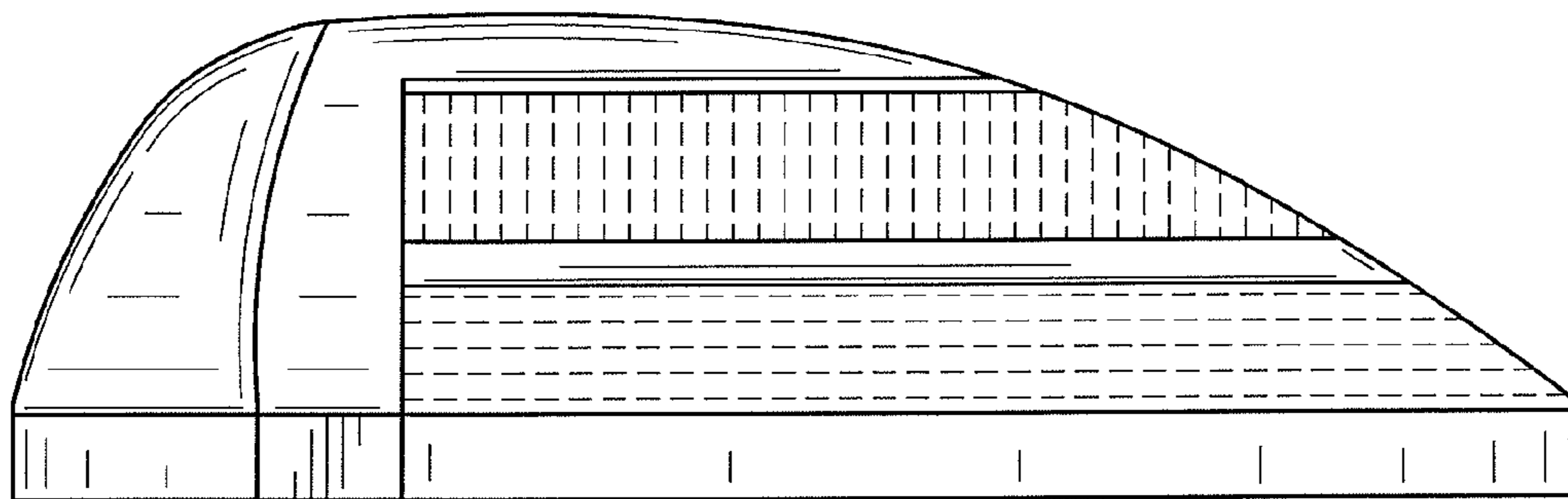


FIG. 5

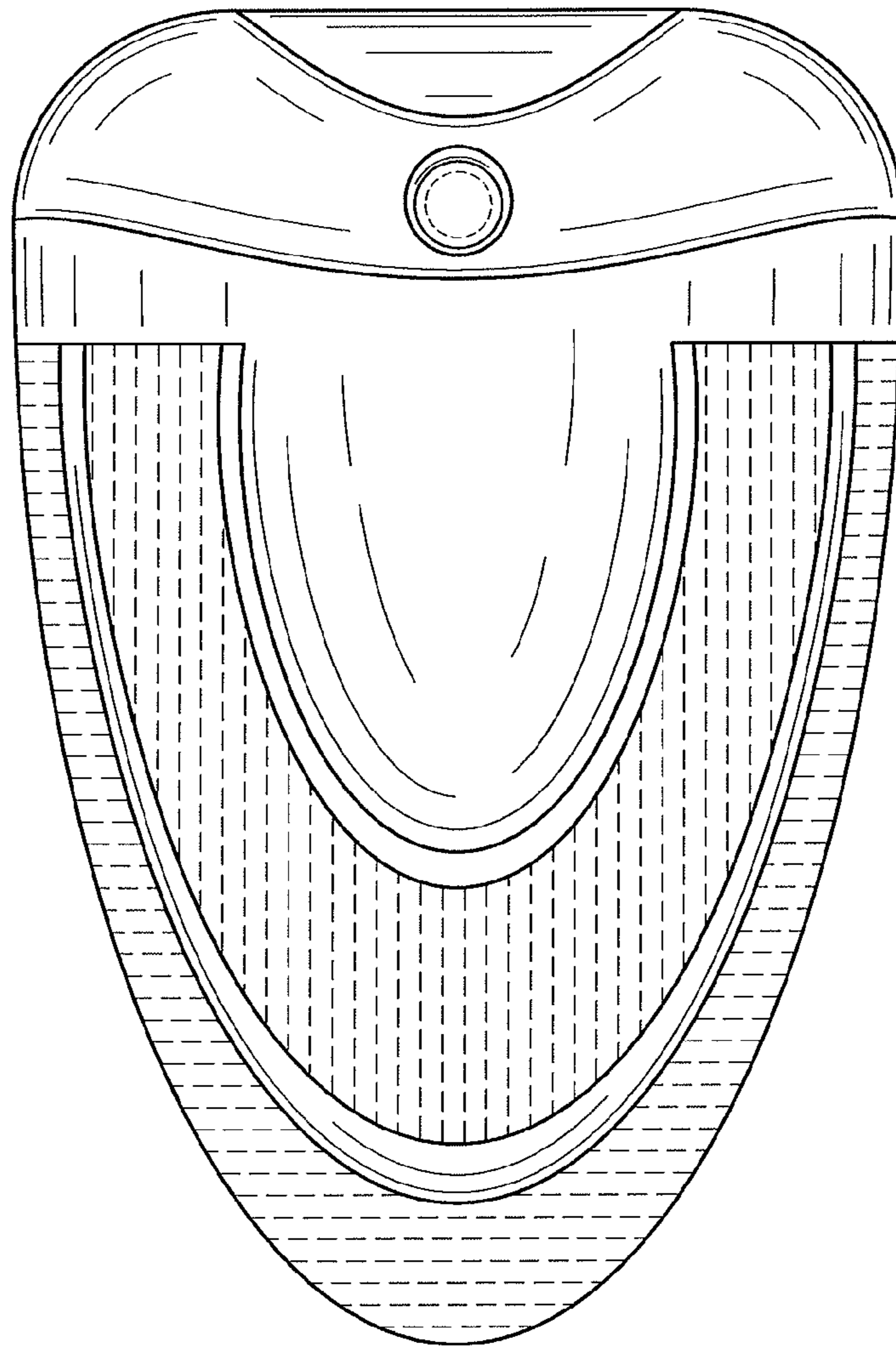


FIG. 6

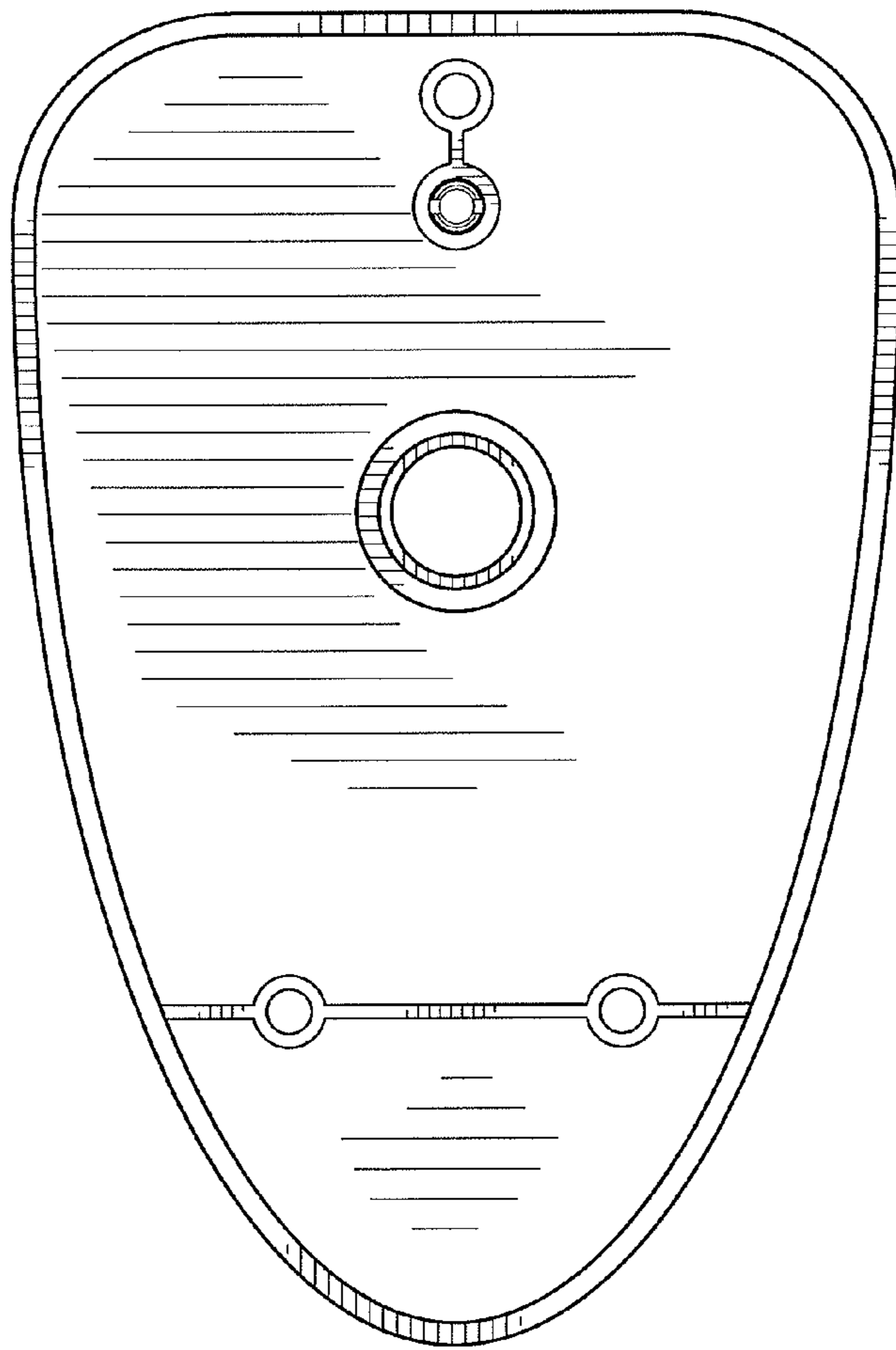


FIG. 7

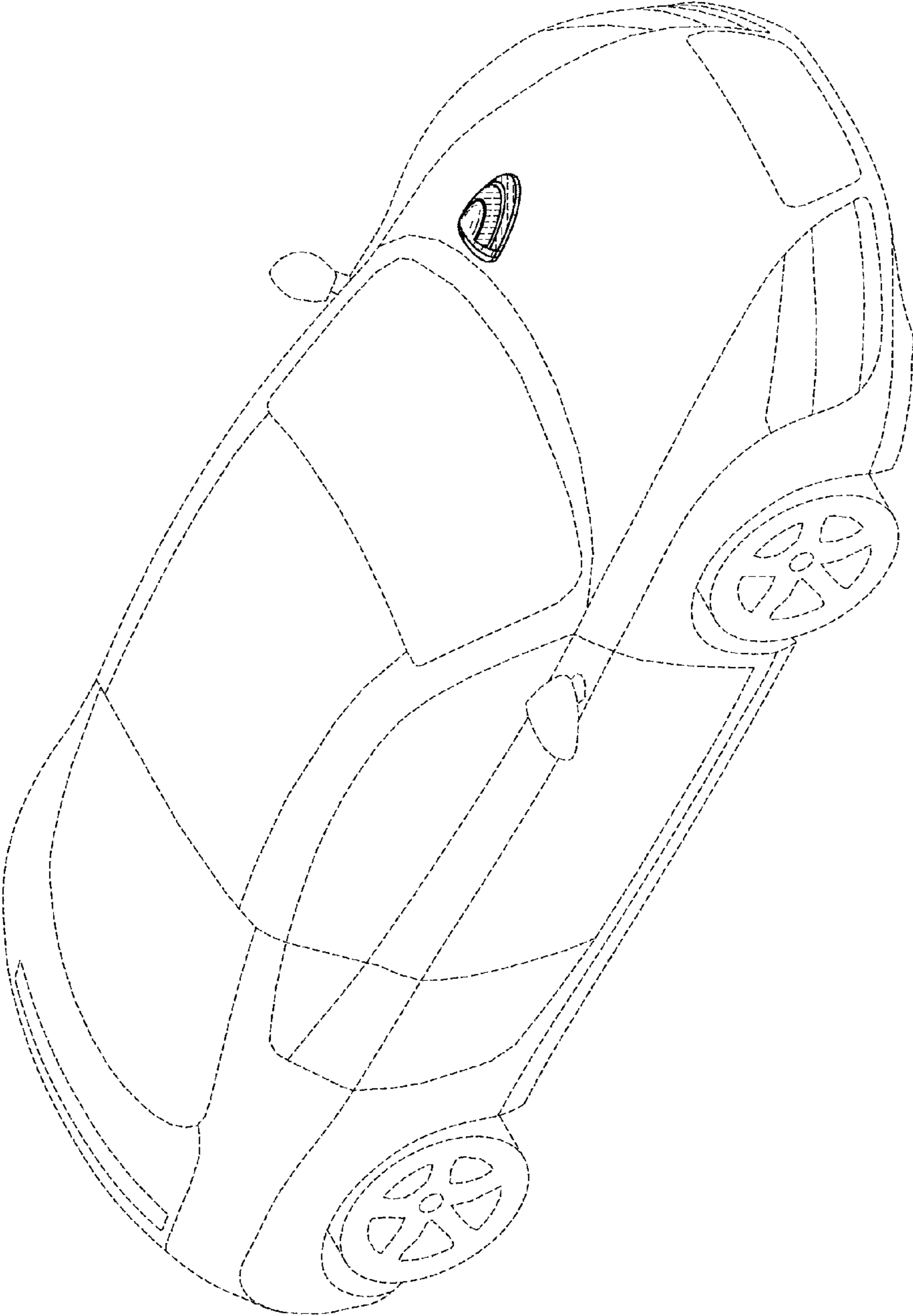


FIG. 8

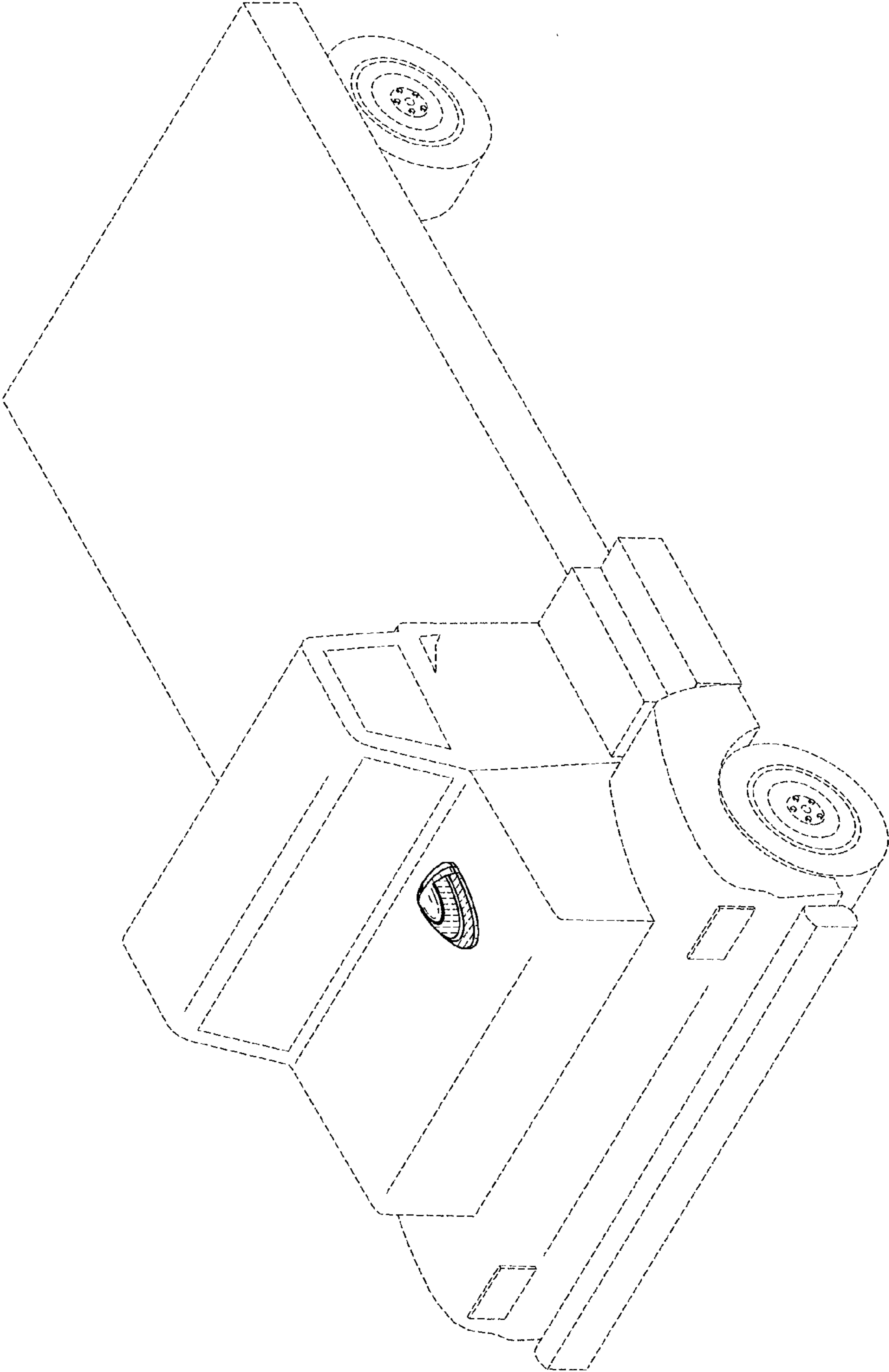


FIG. 9