

US00D740468S

(12) **United States Design Patent**  
**Gipaya**

(10) **Patent No.:** **US D740,468 S**

(45) **Date of Patent:** **\*\* Oct. 6, 2015**

(54) **VEHICLE BEACON FOR PEDESTRIAN**

(71) Applicant: **Gerald D. Gipaya**, Ewa Beach, HI (US)

(72) Inventor: **Gerald D. Gipaya**, Ewa Beach, HI (US)

(\*\*) Term: **14 Years**

(21) Appl. No.: **29/476,694**

(22) Filed: **Dec. 16, 2013**

(51) **LOC (10) Cl.** ..... **26-06**

(52) **U.S. Cl.**  
USPC ..... **D26/28**

(58) **Field of Classification Search**  
USPC ..... D26/28-36, 39, 60-66, 121, 138-140,  
D26/142; 362/84, 341, 473, 475, 511, 523;  
D12/187-189  
CPC ..... F21V 15/01; F21V 15/013; F21V 21/02;  
F21V 21/04; F21V 7/0008  
See application file for complete search history.

(56) **References Cited**

**U.S. PATENT DOCUMENTS**

D393,729 S *	4/1998	Tuttle	.....	D26/28
D424,723 S *	5/2000	Hall et al.	.....	D26/28
D438,658 S *	3/2001	Meschi	.....	D26/60
D479,349 S *	9/2003	Kuo	.....	D26/28
D492,802 S *	7/2004	Kuo	.....	D26/28
D518,205 S *	3/2006	Phillips et al.	.....	D26/28
D542,951 S *	5/2007	Yeh	.....	D26/28
D544,971 S *	6/2007	Anderson et al.	.....	D26/28

D551,787 S *	9/2007	Yeoman et al.	.....	D26/28
D584,439 S *	1/2009	Wu	.....	D26/62
D590,967 S *	4/2009	Huang	.....	D26/28

\* cited by examiner

*Primary Examiner* — Garth Rademaker

*Assistant Examiner* — Llorellys Martinez-Rivera

(74) *Attorney, Agent, or Firm* — Leighton K. Chong

(57) **CLAIM**

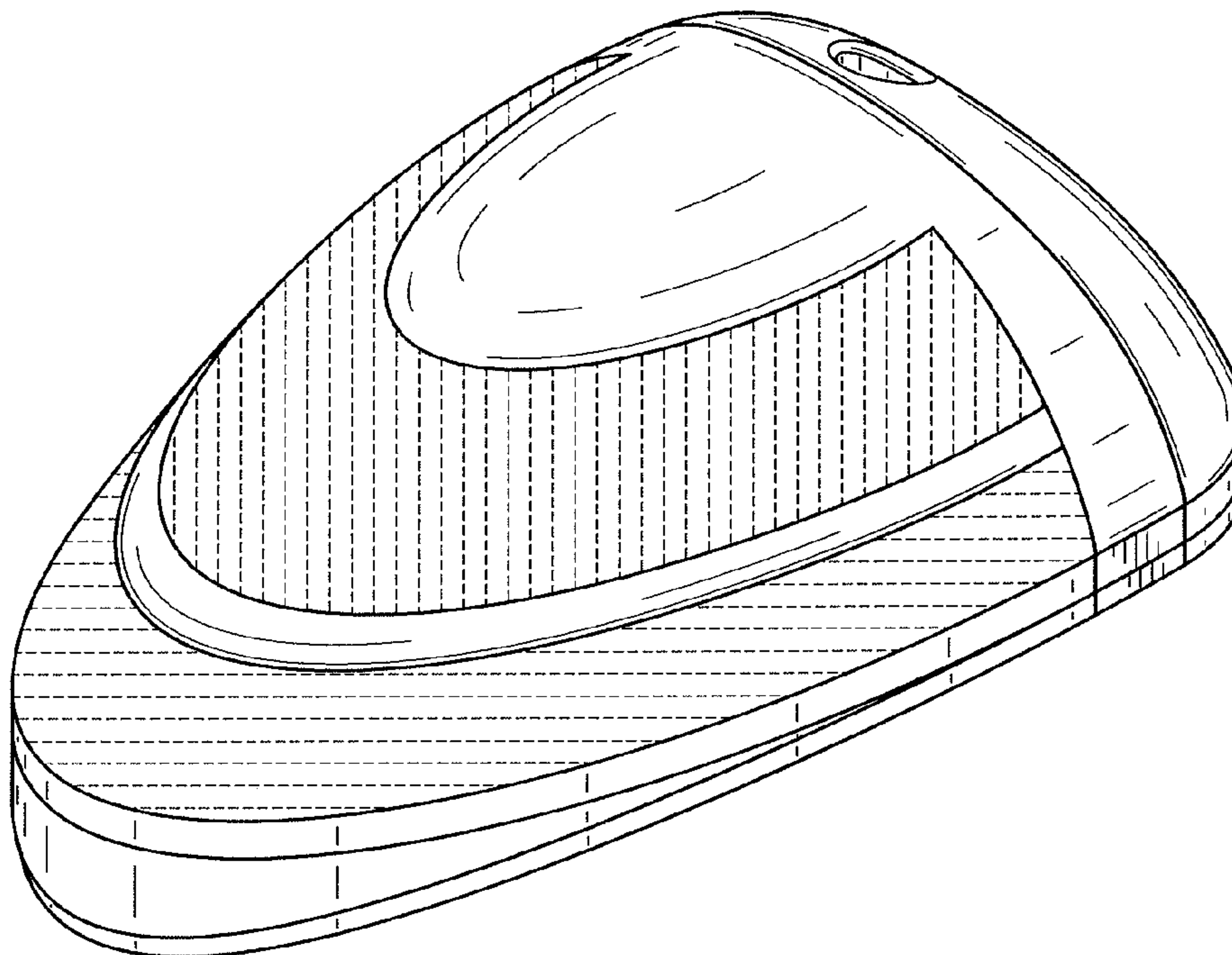
The ornamental design for a vehicle beacon for pedestrian, as shown and described.

**DESCRIPTION**

FIG. 1 is a top perspective view of a vehicle beacon for pedestrian showing my new design;  
FIG. 2 is a bottom perspective view thereof;  
FIG. 3 is a front view thereof;  
FIG. 4 is a rear view thereof;  
FIG. 5 is a right side view thereof, the left side view being a mirror image thereof;  
FIG. 6 is a top view thereof;  
FIG. 7 is a bottom view thereof; and,  
FIG. 8 is a perspective view thereof, showing the claimed design in an environment of use.

The broken line surface patterns shown in the top and bottom lens portions of FIGS. 1-8 illustrate contrasting appearances and form no part of the claimed design. All other broken lines illustrate environmental subject matter only and form no part of the claimed design.

**1 Claim, 5 Drawing Sheets**



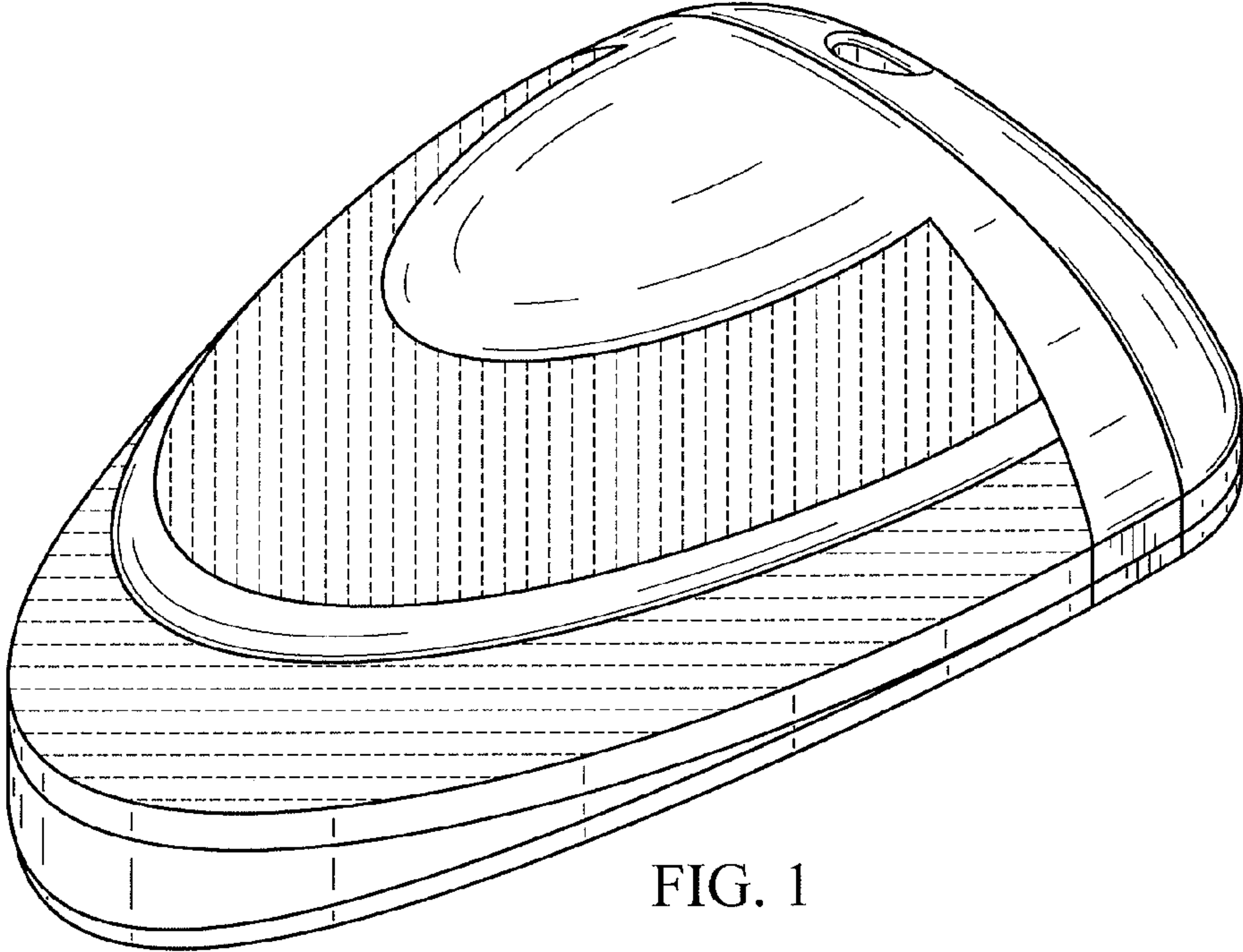


FIG. 1

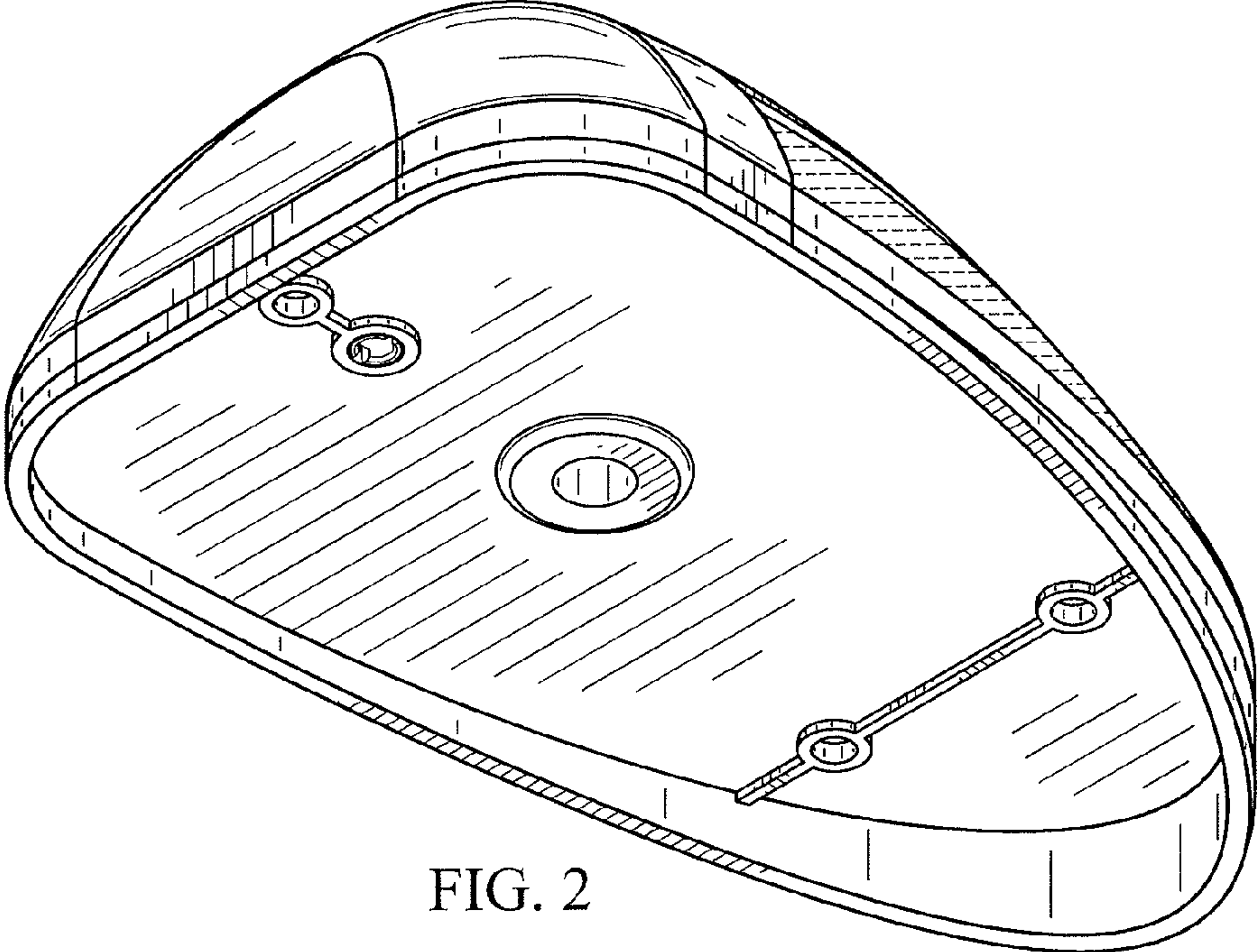


FIG. 2

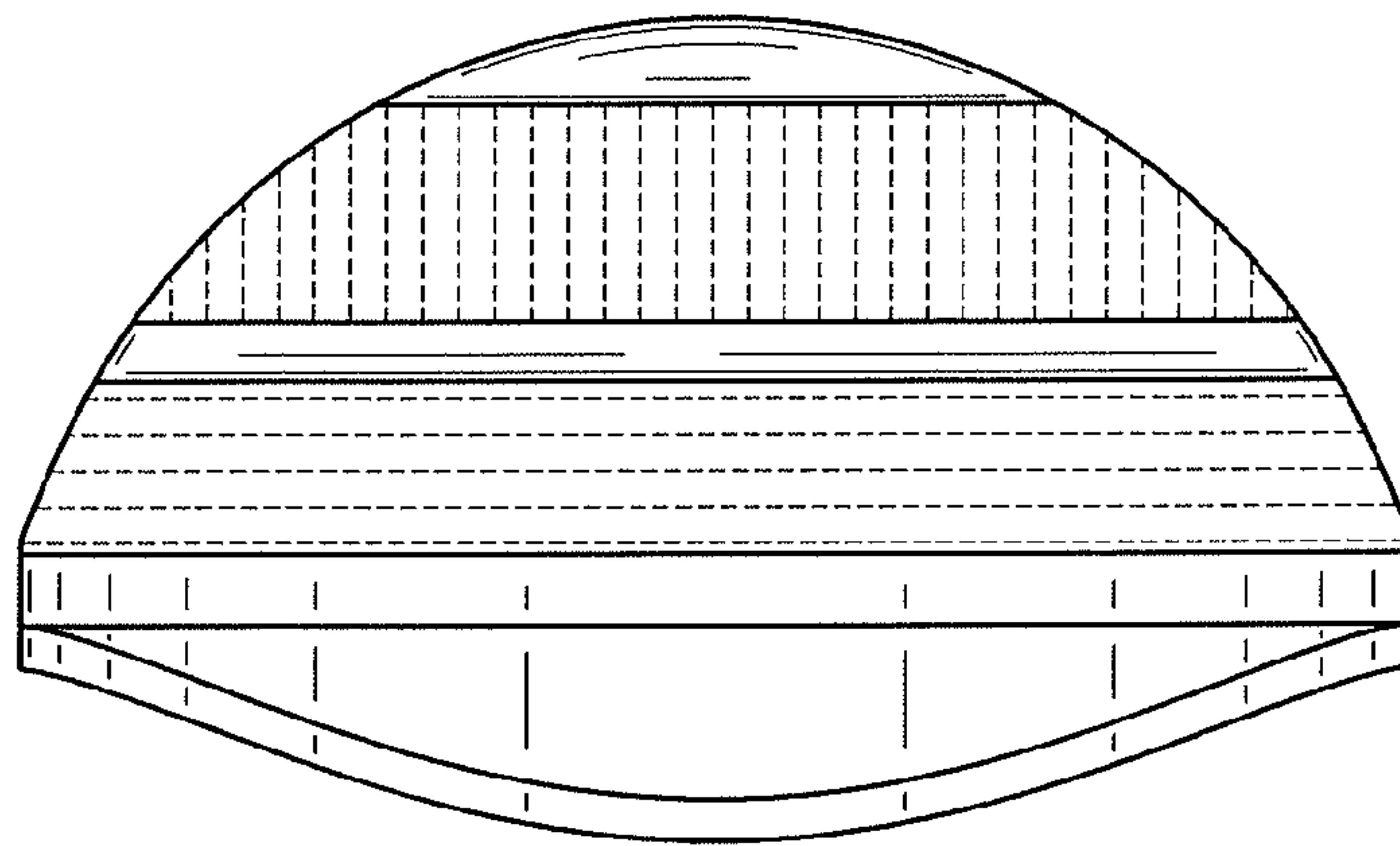


FIG. 3

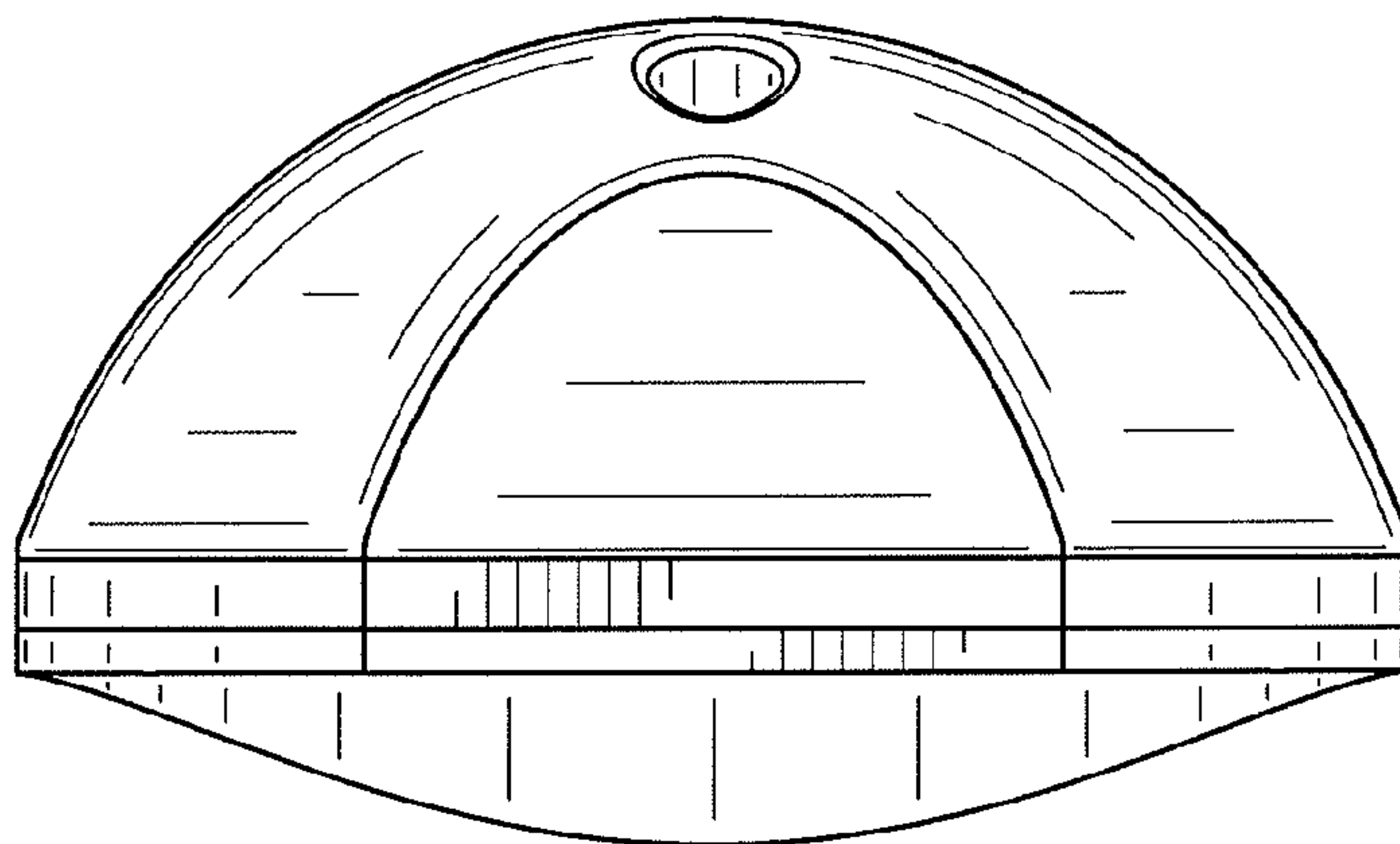


FIG. 4

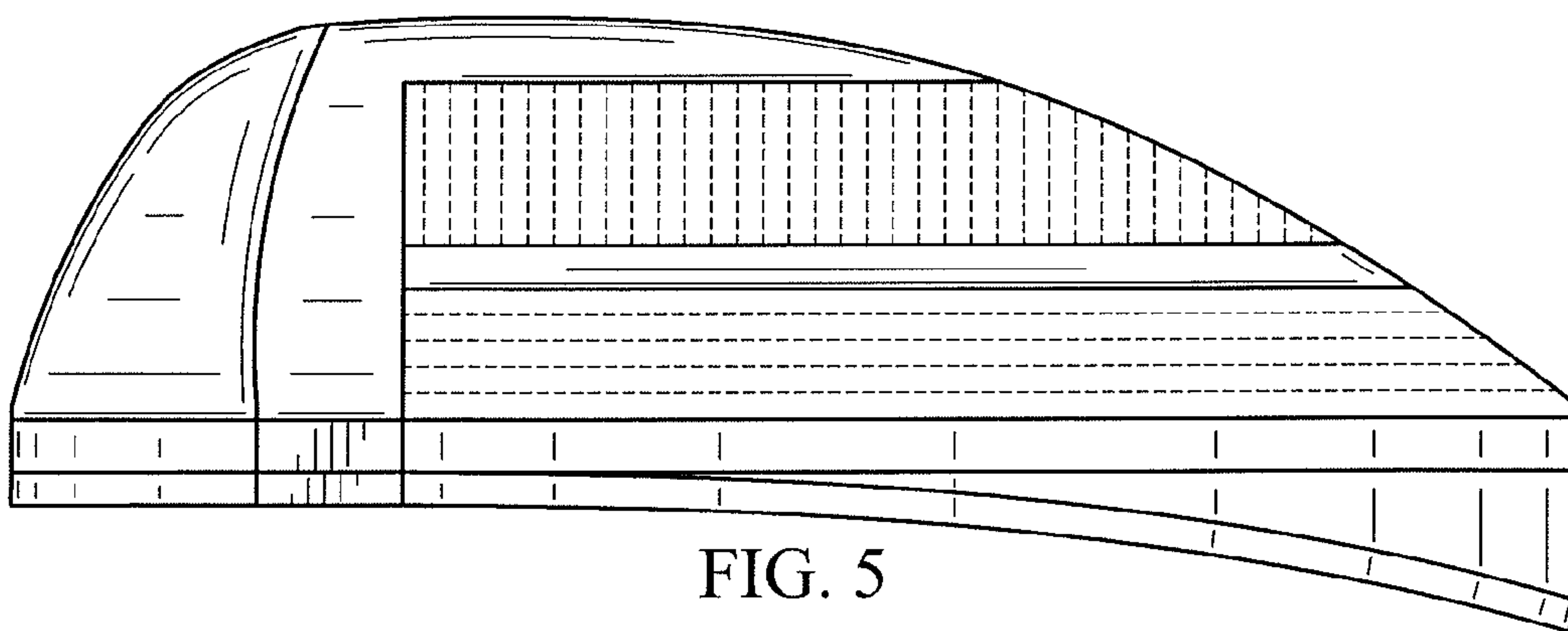


FIG. 5



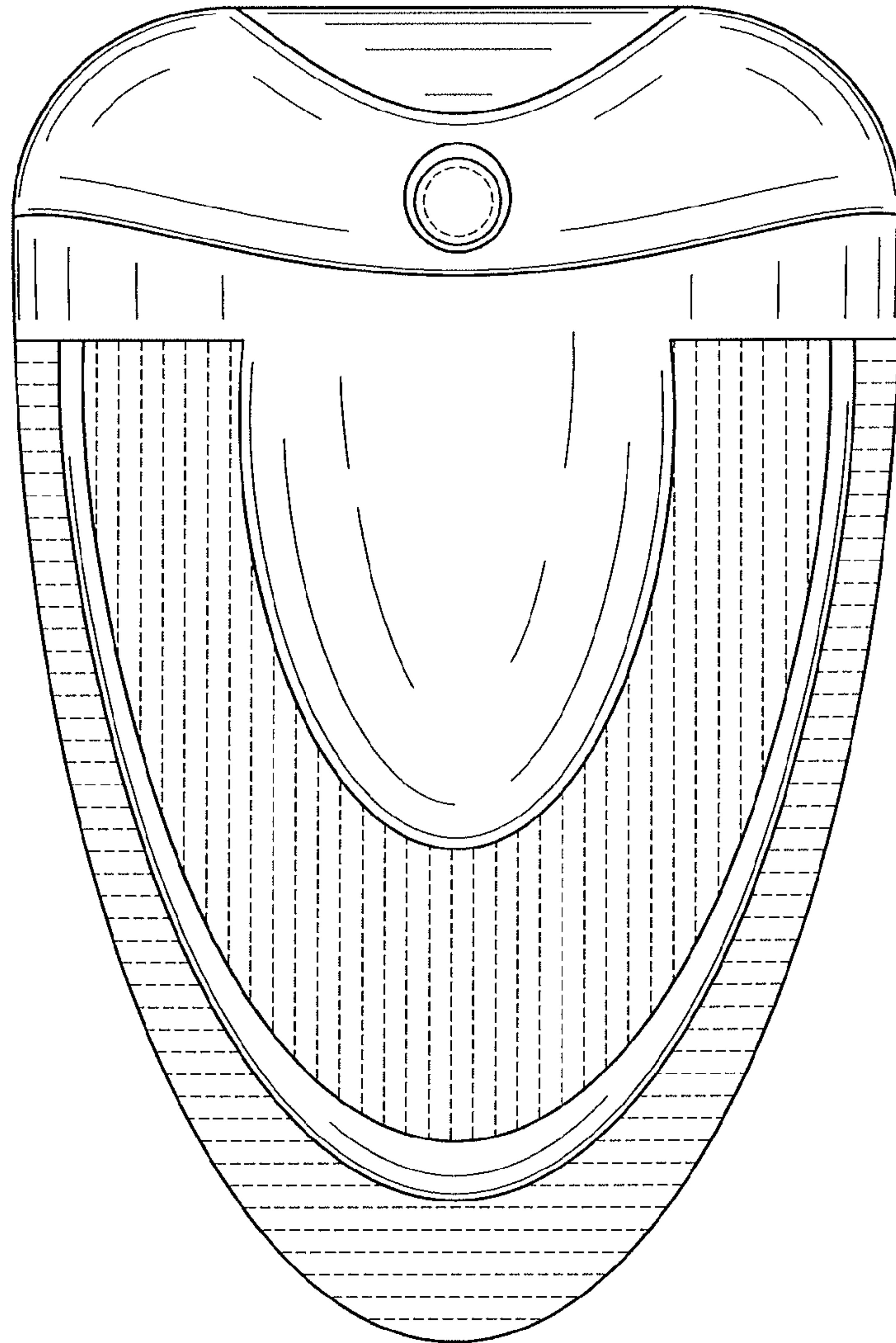


FIG. 6

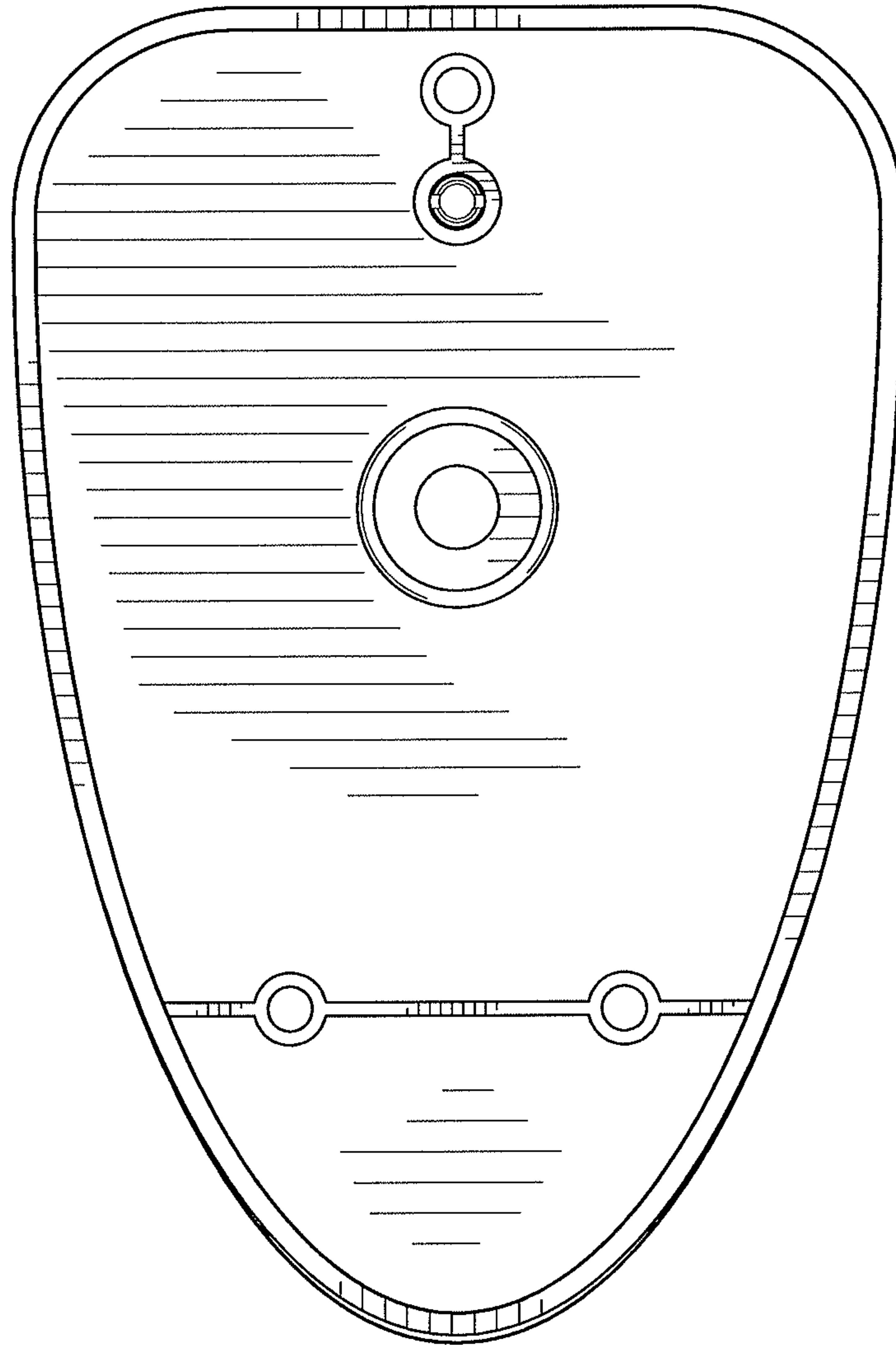


FIG. 7

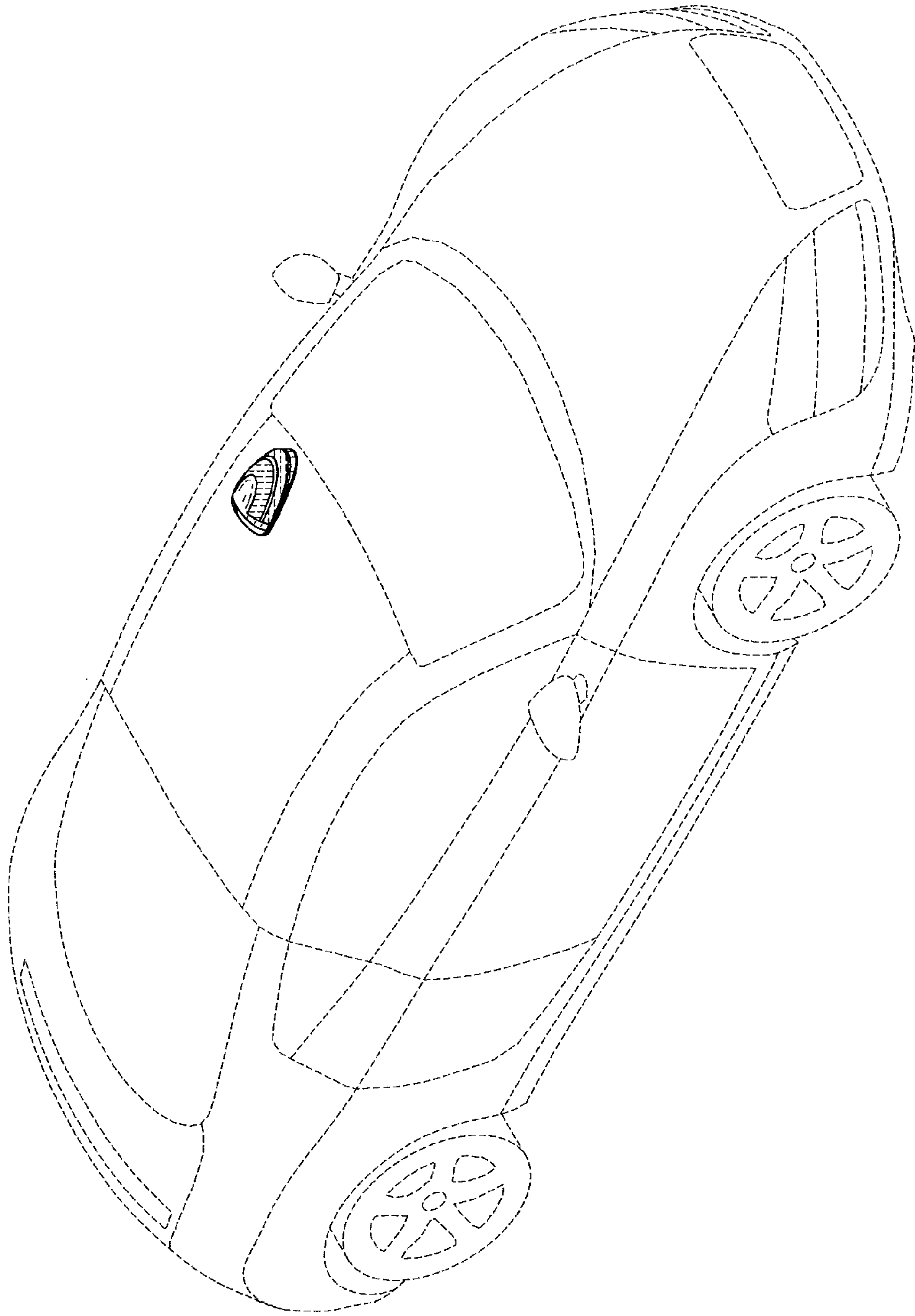


FIG. 8