



US00D740467S

(12) **United States Design Patent**
Park et al.

(10) **Patent No.:** **US D740,467 S**

(45) **Date of Patent:** **** Oct. 6, 2015**

(54) **HEAD LAMP FOR AUTOMOBILES**

(71) Applicant: **Hyundai Motor Company**, Seoul (KR)

(72) Inventors: **Dong-Jin Park**, Seoul (KR); **Dai-Sung Kim**, Gyeonggi-Do (KR)

(73) Assignee: **Hyundai Motor Company**, Seoul (KR)

(**) Term: **14 Years**

(21) Appl. No.: **29/474,244**

(22) Filed: **Jul. 18, 2014**

(30) **Foreign Application Priority Data**

Feb. 17, 2014 (KR) 30-2014-0007772

(51) **LOC (10) Cl.** **26-06**

(52) **U.S. Cl.**
USPC **D26/28**

(58) **Field of Classification Search**

USPC D26/28-36, 113, 118, 121, 138-140;
362/84, 341, 459-468, 473, 475-478,
362/485-487, 511, 523

CPC B62J 6/02; B62J 6/04; B60Q 1/0047;
B60Q 1/18; B60Q 1/2696; B60Q 1/46;
F21S 48/1233; F21S 48/10; F21S 48/335;
F21S 48/00; F21S 48/1258

See application file for complete search history.

(56) **References Cited**

U.S. PATENT DOCUMENTS

D645,591 S * 9/2011 Kong et al. D26/28
D654,604 S * 2/2012 Chang et al. D26/28
D664,690 S * 7/2012 Kim et al. D26/28

D672,482 S * 12/2012 Lee et al. D26/28
D683,485 S * 5/2013 Lee et al. D26/28
D708,367 S * 7/2014 Tajima et al. D26/28
D709,217 S * 7/2014 Kim et al. D26/28
D709,218 S * 7/2014 Kim et al. D26/28
D709,219 S * 7/2014 Kim et al. D26/28
D715,981 S * 10/2014 Moon et al. D26/28
D717,980 S * 11/2014 Lai D26/28
D719,689 S * 12/2014 Gotschke D26/28
D720,870 S * 1/2015 Lim et al. D26/28

* cited by examiner

Primary Examiner — Cynthia Ramirez

Assistant Examiner — Llorellys Martinez-Rivera

(74) *Attorney, Agent, or Firm* — Mintz Levin Cohn Ferris
Glovsky and Popeo, P.C.; Kongsik Kim; Carolina E. Säve

(57) **CLAIM**

The ornamental design for a head lamp for automobiles, as shown and described.

DESCRIPTION

FIG. 1 is a perspective view of a head lamp for automobiles according to the present invention.

FIG. 2 is a front view of the head lamp for automobiles of FIG. 1.

FIG. 3 is a rear view of the head lamp for automobiles of FIG. 1.

FIG. 4 is a left side view of the head lamp for automobiles of FIG. 1.

FIG. 5 is a right side view of the head lamp for automobiles of FIG. 1.

FIG. 6 is a top view of the head lamp for automobiles of FIG. 1; and,

FIG. 7 is a bottom view of the head lamp for automobiles of FIG. 1.

1 Claim, 7 Drawing Sheets

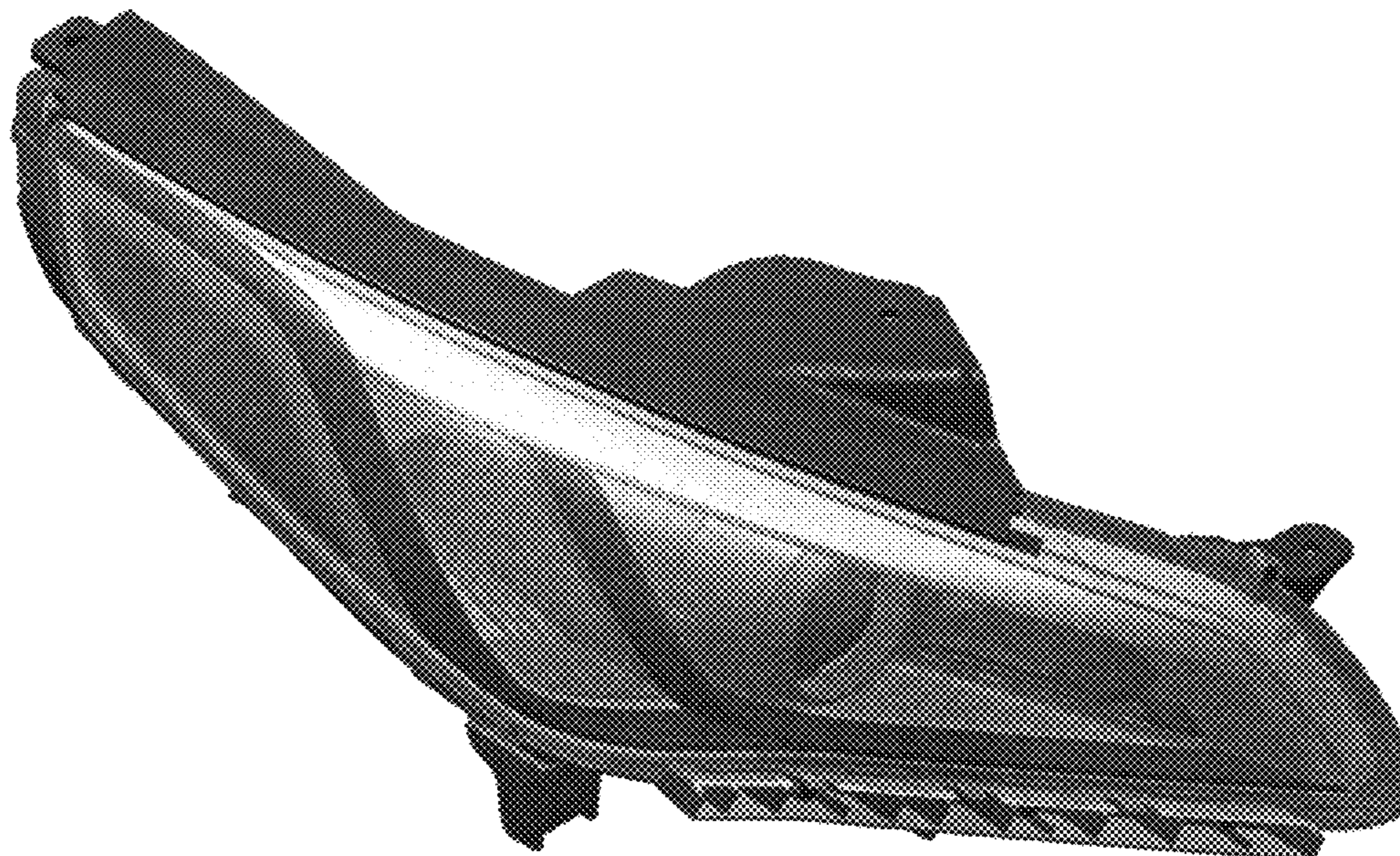


FIG. 1

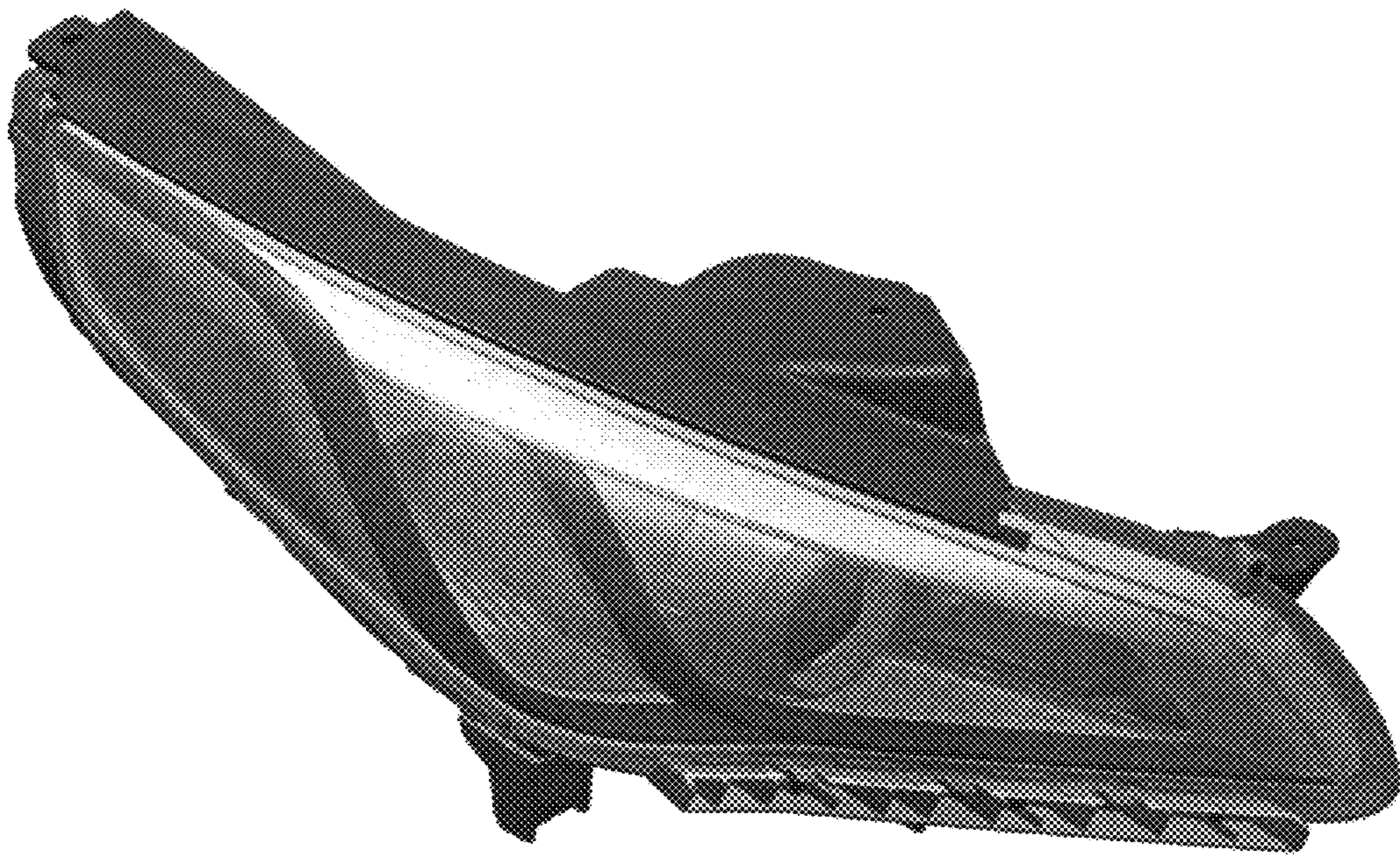


FIG. 2

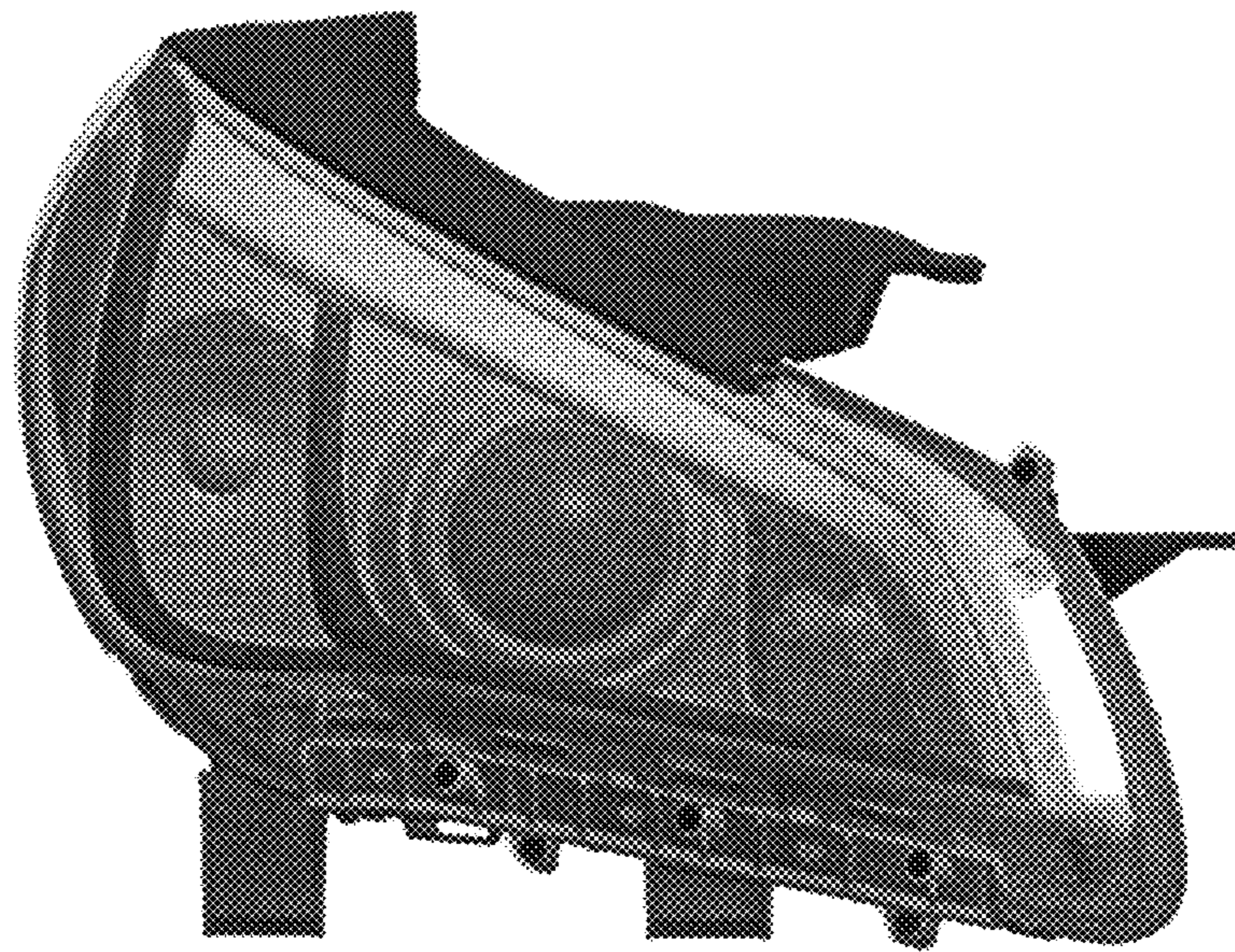


FIG. 3

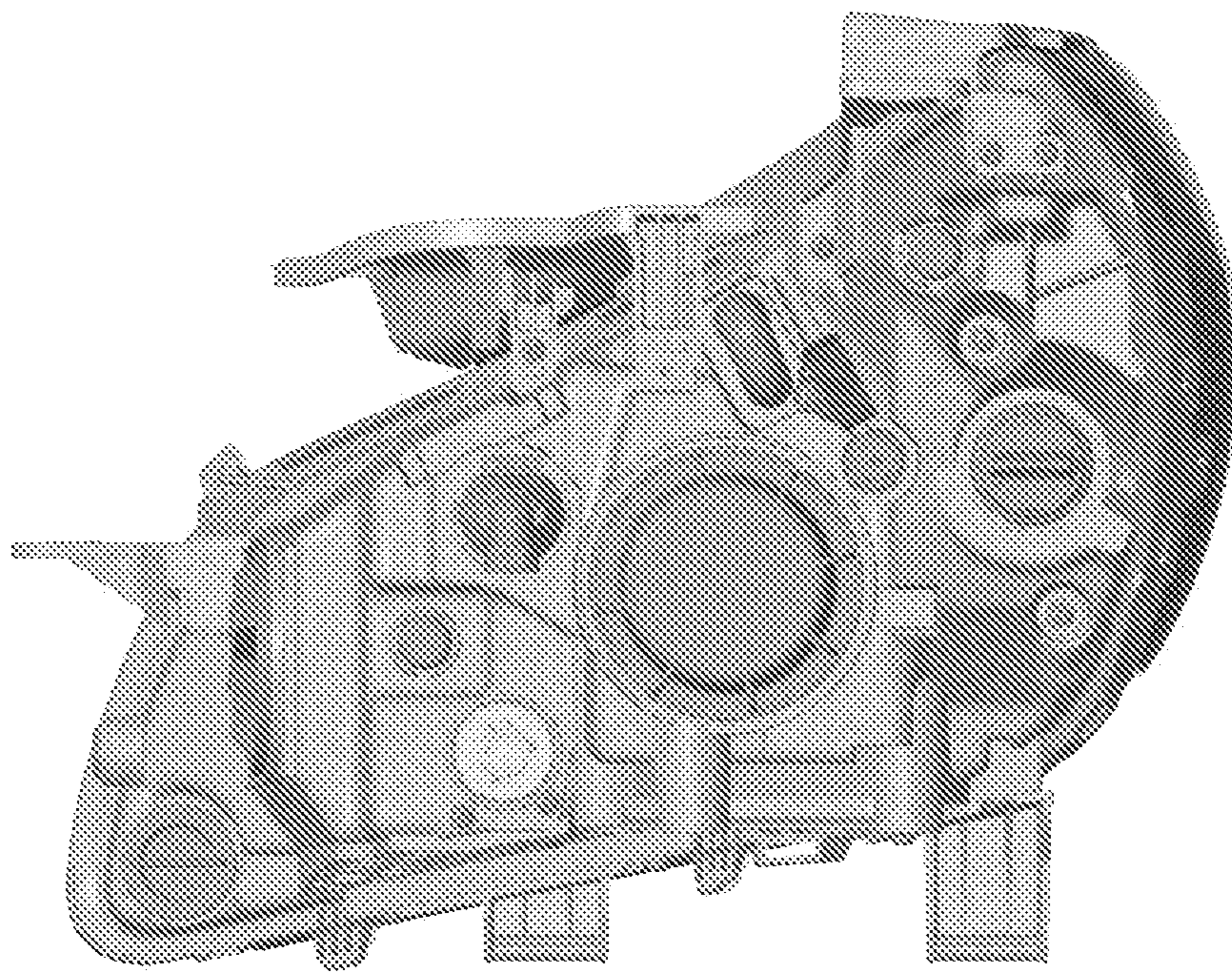


FIG. 4

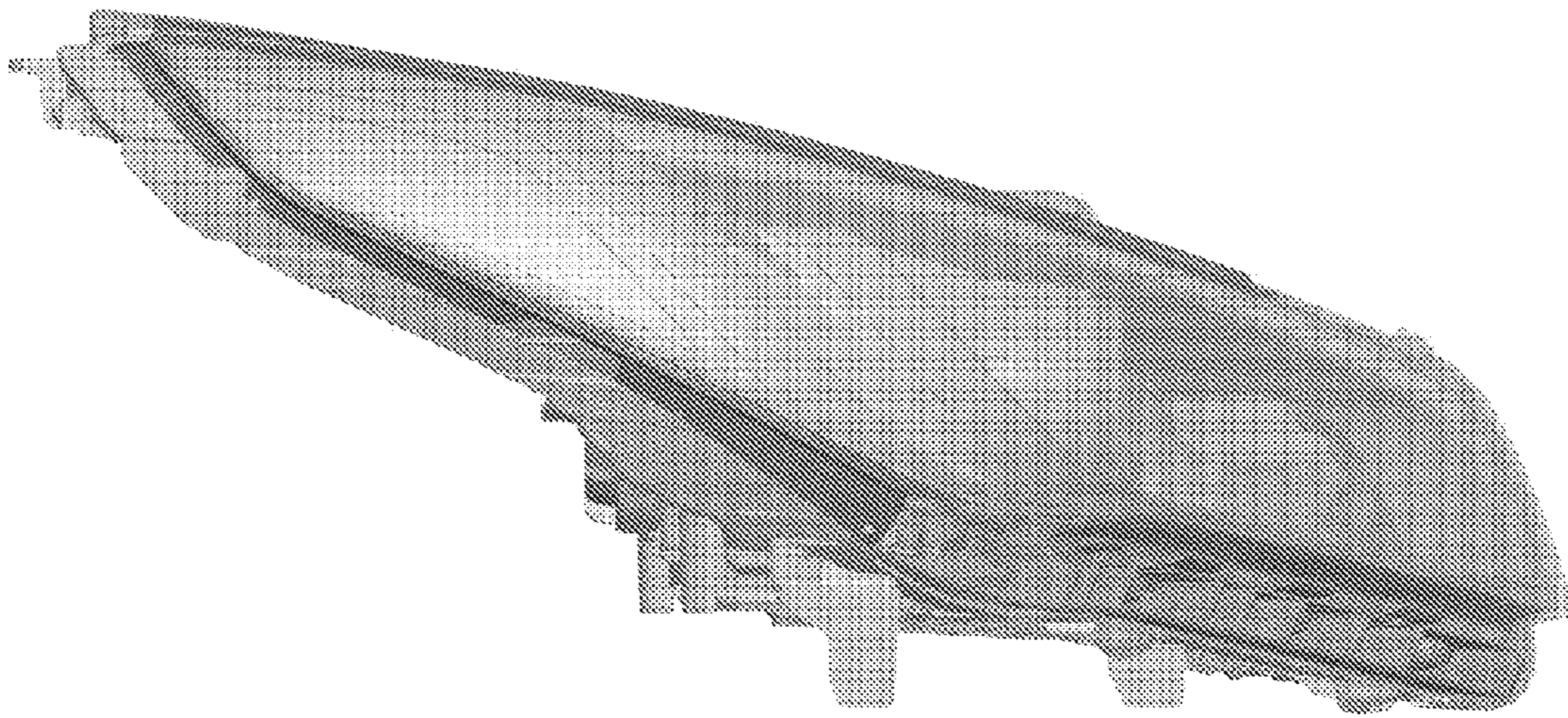


FIG. 5

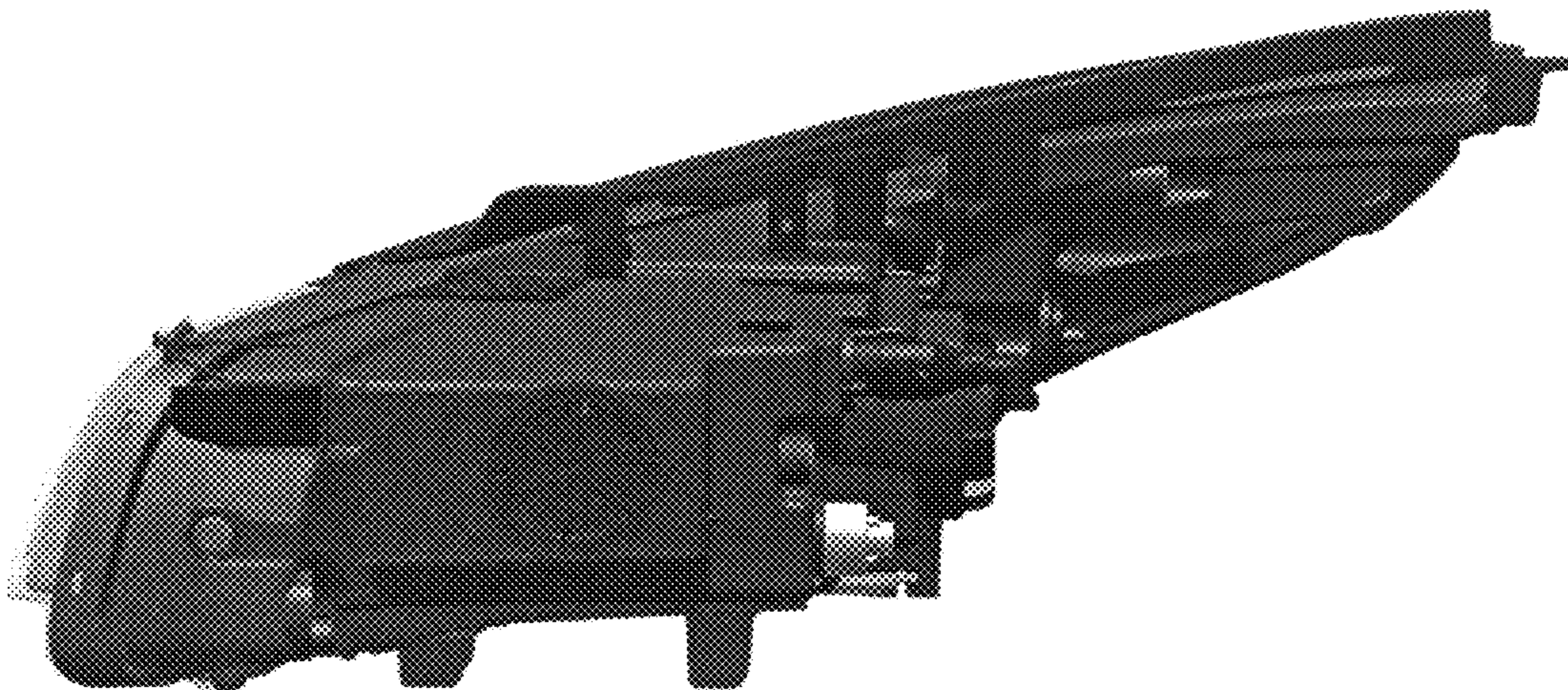


FIG. 6

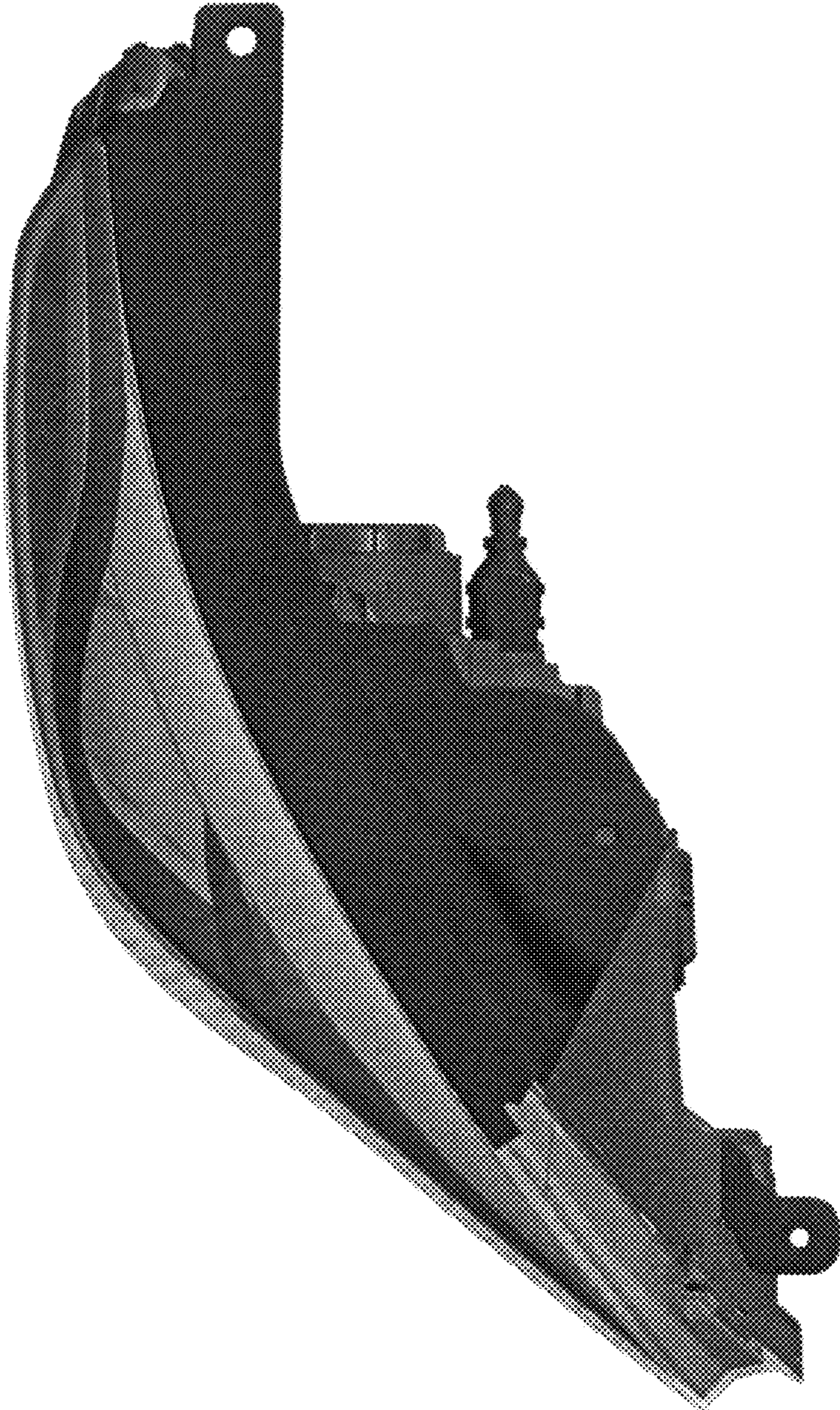


FIG. 7

