



US00D740465S

(12) **United States Design Patent**
Park et al.

(10) **Patent No.:** **US D740,465 S**
(45) **Date of Patent:** **** Oct. 6, 2015**

(54) **REAR COMBINATION LAMP FOR AUTOMOBILES**

(71) Applicant: **Hyundai Motor Company**, Seoul (KR)

(72) Inventors: **Dong-Jin Park**, Seoul (KR); **Dai-Sung Kim**, Gyeonggi-Do (KR)

(73) Assignee: **Hyundai Motor Company**, Seoul (KR)

(**) Term: **14 Years**

(21) Appl. No.: **29/474,242**

(22) Filed: **Jul. 18, 2014**

(30) **Foreign Application Priority Data**

Feb. 17, 2014 (KR) 30-2014-0007775

(51) **LOC (10) Cl.** **26-06**

(52) **U.S. Cl.**
USPC **D26/28**

(58) **Field of Classification Search**
USPC D26/28-36; 362/459-476, 485-487,
362/543-549; D12/86, 90-92
CPC ... F21S 48/1159; F21S 48/00; F21S 48/1241;
F21S 48/10; F21S 48/1329; F21S 48/20;
F21S 48/2225; F21S 48/1266
See application file for complete search history.

(56) **References Cited**

U.S. PATENT DOCUMENTS

D618,834 S * 6/2010 Park et al. D26/28
D657,482 S * 4/2012 Kong et al. D26/28

D708,363 S * 7/2014 Park et al. D26/28
D714,986 S * 10/2014 Moon et al. D26/28
D720,871 S * 1/2015 Lim et al. D26/28
D721,195 S * 1/2015 Lim et al. D26/28
D721,839 S * 1/2015 Ha et al. D26/28
D721,840 S * 1/2015 Futschik et al. D26/28
D722,188 S * 2/2015 Futschik et al. D26/28
D723,197 S * 2/2015 Campbell et al. D26/28

* cited by examiner

Primary Examiner — Garth Rademaker

Assistant Examiner — Llorellys Martinez-Rivera

(74) *Attorney, Agent, or Firm* — Mintz Levin Cohn Ferris Glovsky and Popeo, P.C.; Kongsik Kim; Carolina E. Säve

(57) **CLAIM**

The ornamental design for a rear combination lamp for automobiles, as shown and described.

DESCRIPTION

FIG. 1 is a perspective view of a rear combination lamp for automobiles according to the present invention.

FIG. 2 is a front view of the rear combination lamp for automobiles of FIG. 1.

FIG. 3 is a rear view of the rear combination lamp for automobiles of FIG. 1.

FIG. 4 is a left side view of the rear combination lamp for automobiles of FIG. 1.

FIG. 5 is a right side view of the rear combination lamp for automobiles of FIG. 1.

FIG. 6 is a top view of the rear combination lamp for automobiles of FIG. 1; and,

FIG. 7 is a bottom view of the rear combination lamp for automobiles of FIG. 1.

1 Claim, 7 Drawing Sheets

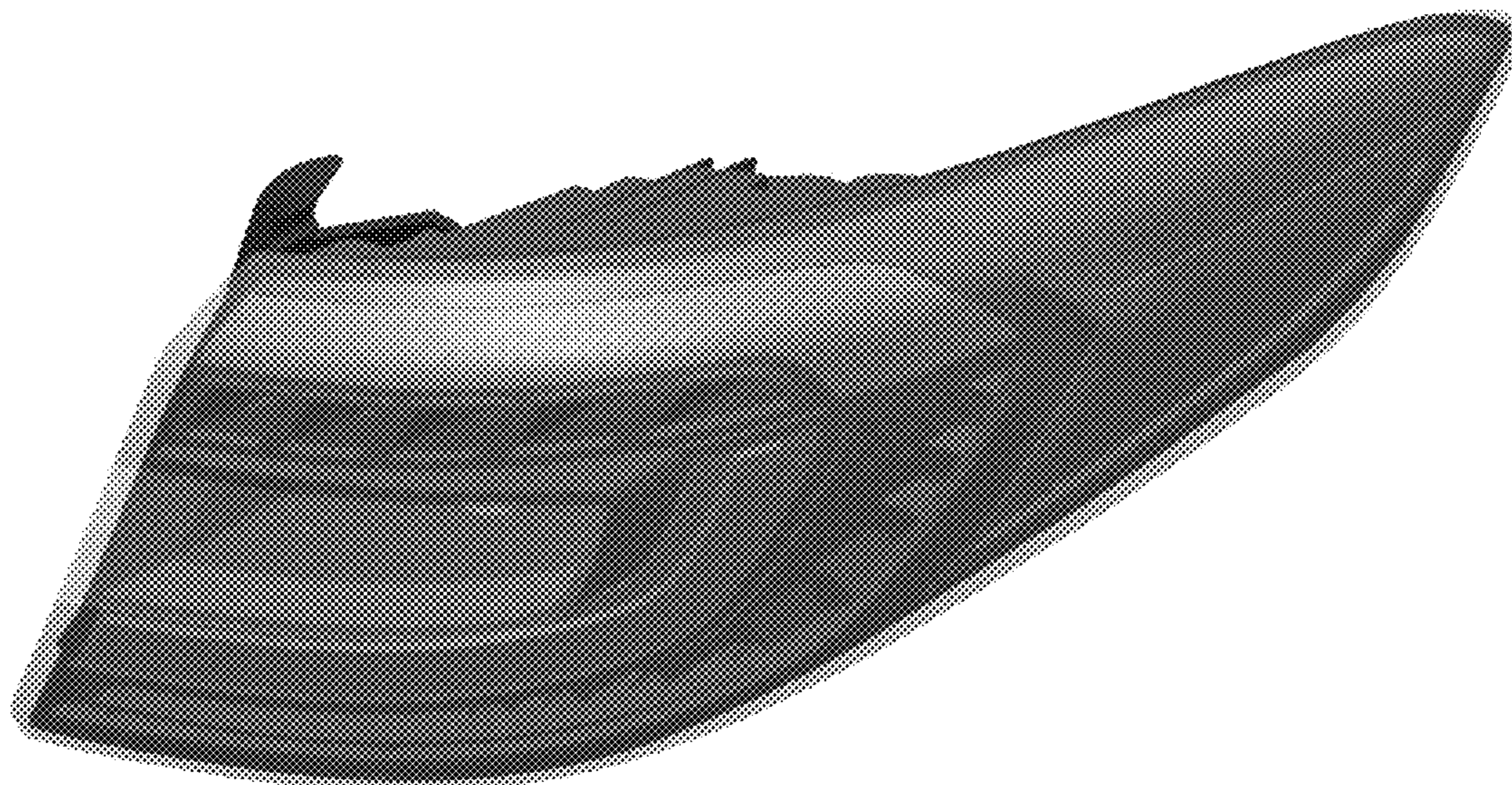


FIG. 1

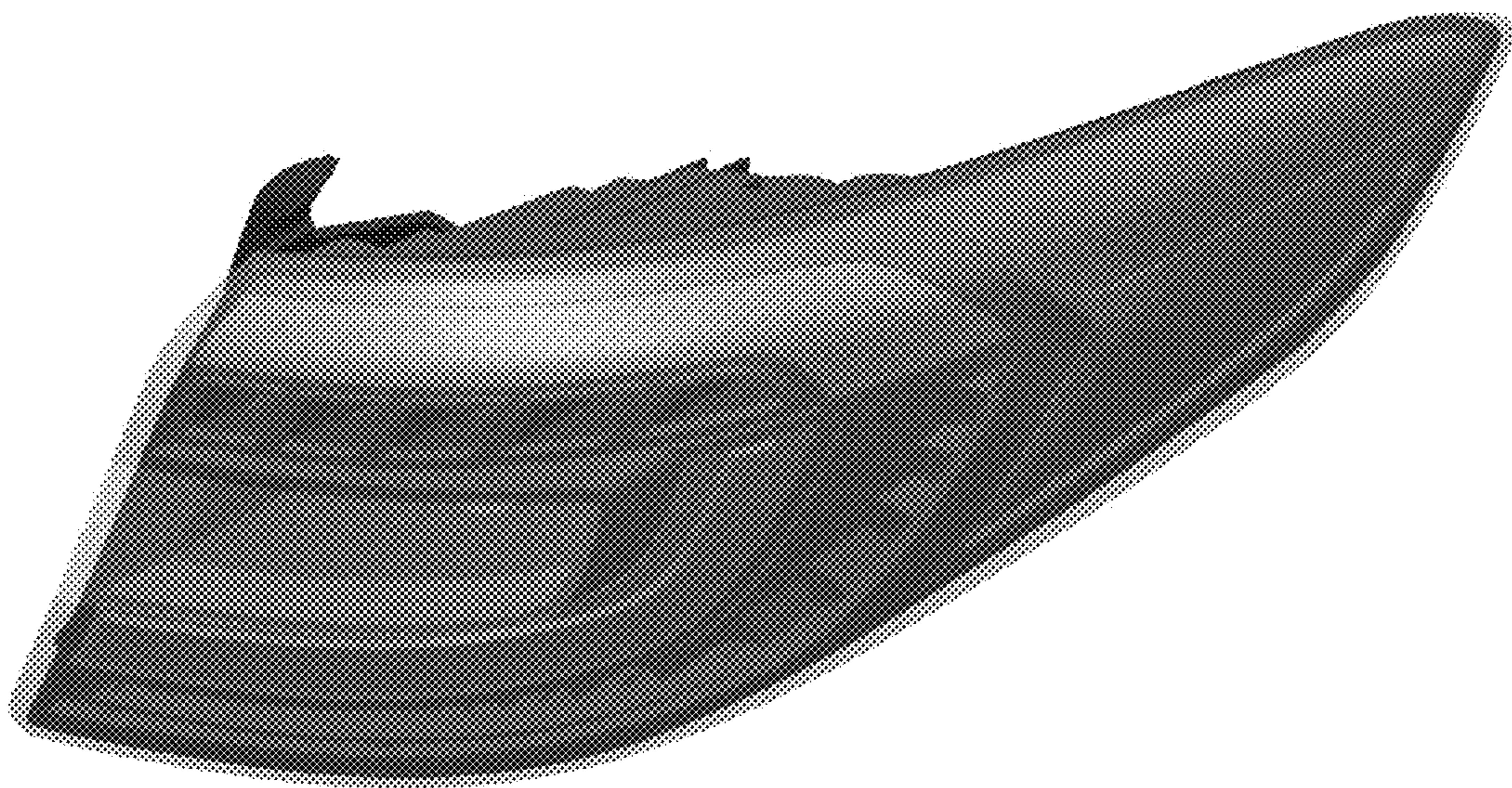


FIG. 2

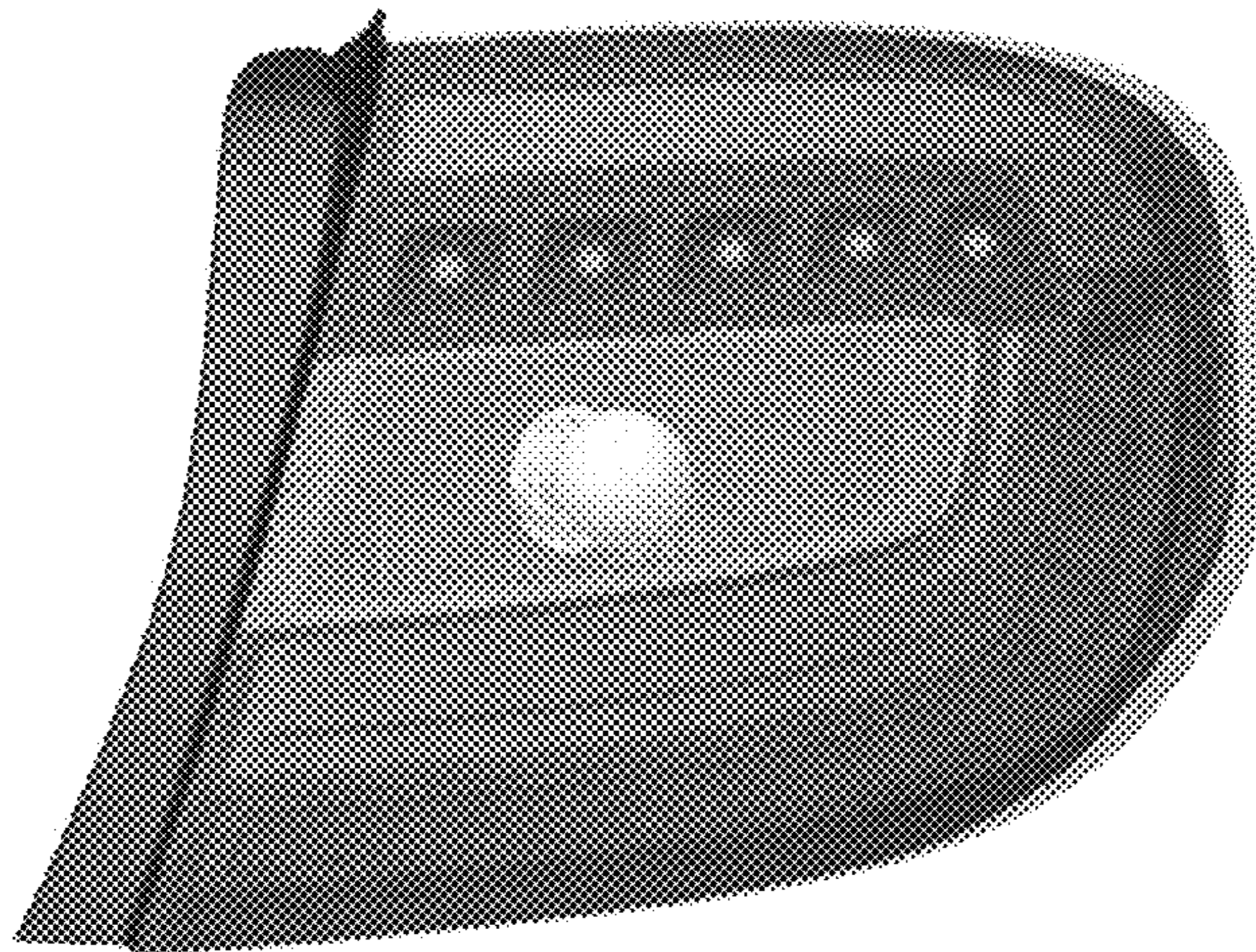


FIG. 3

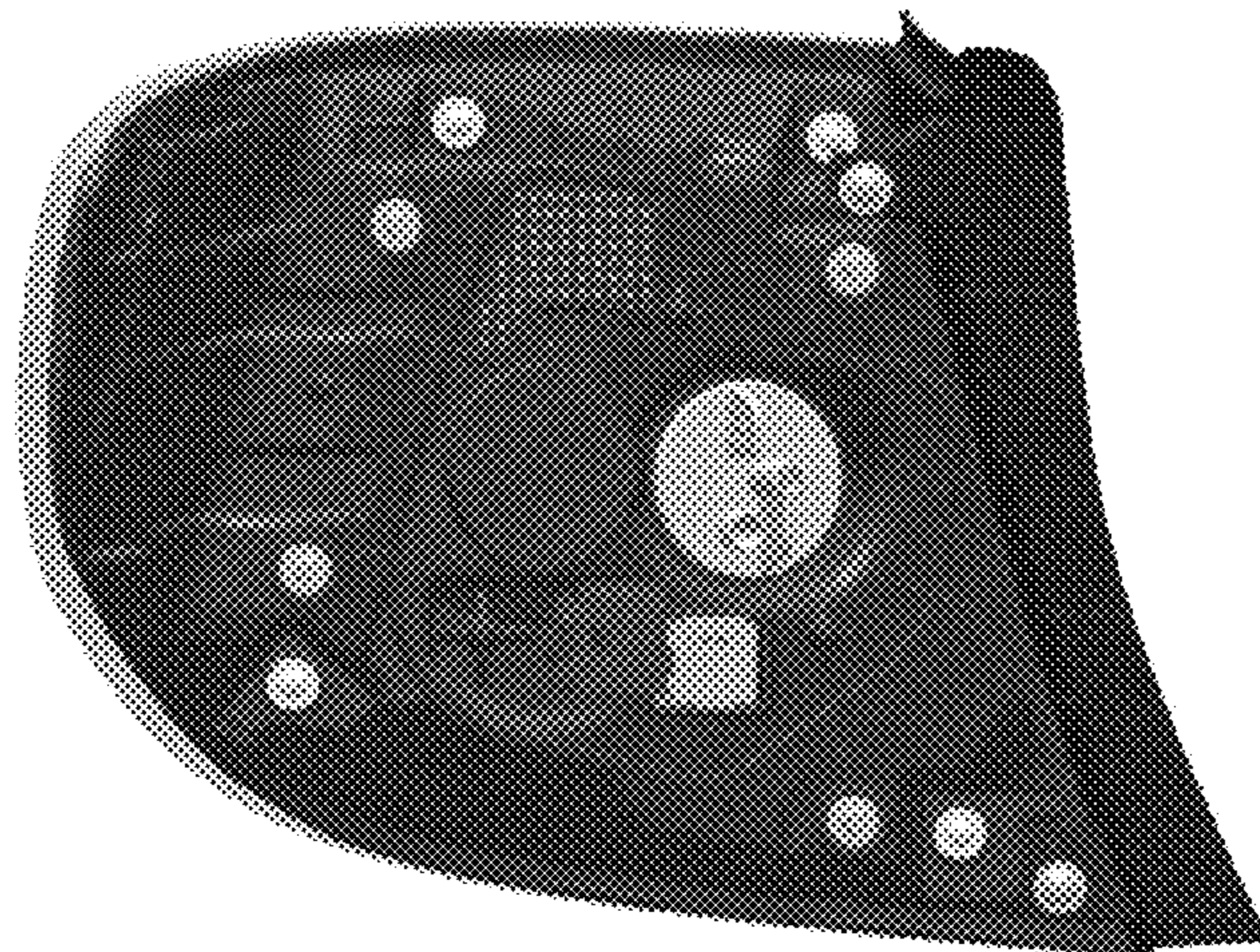


FIG. 4

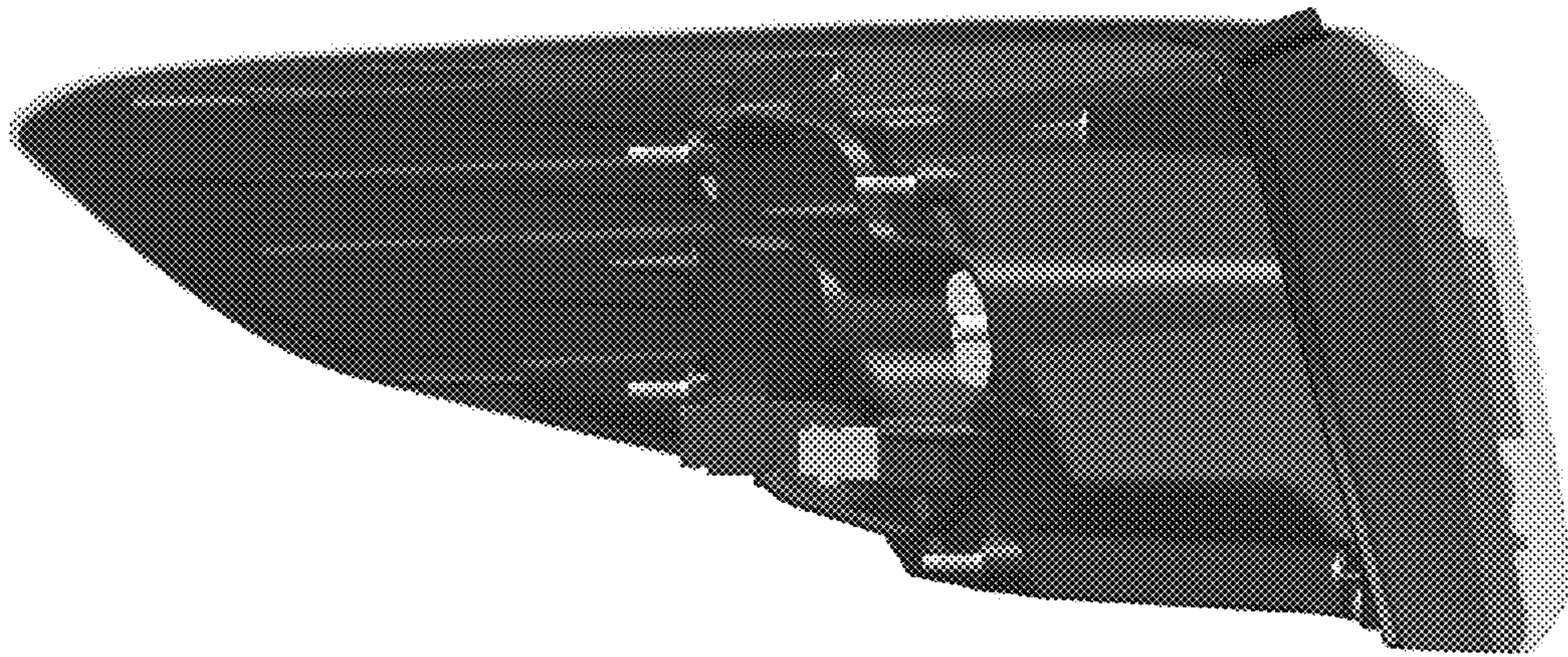


FIG. 5

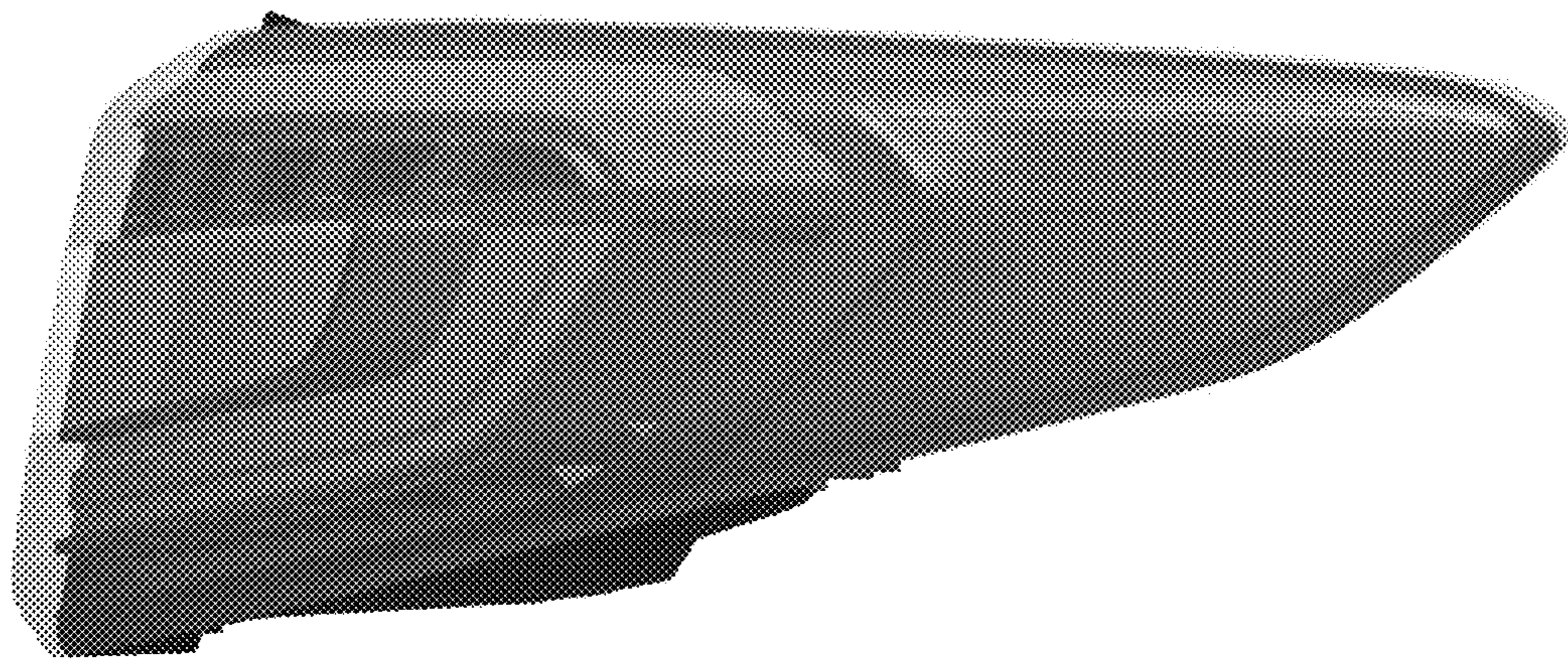


FIG. 6

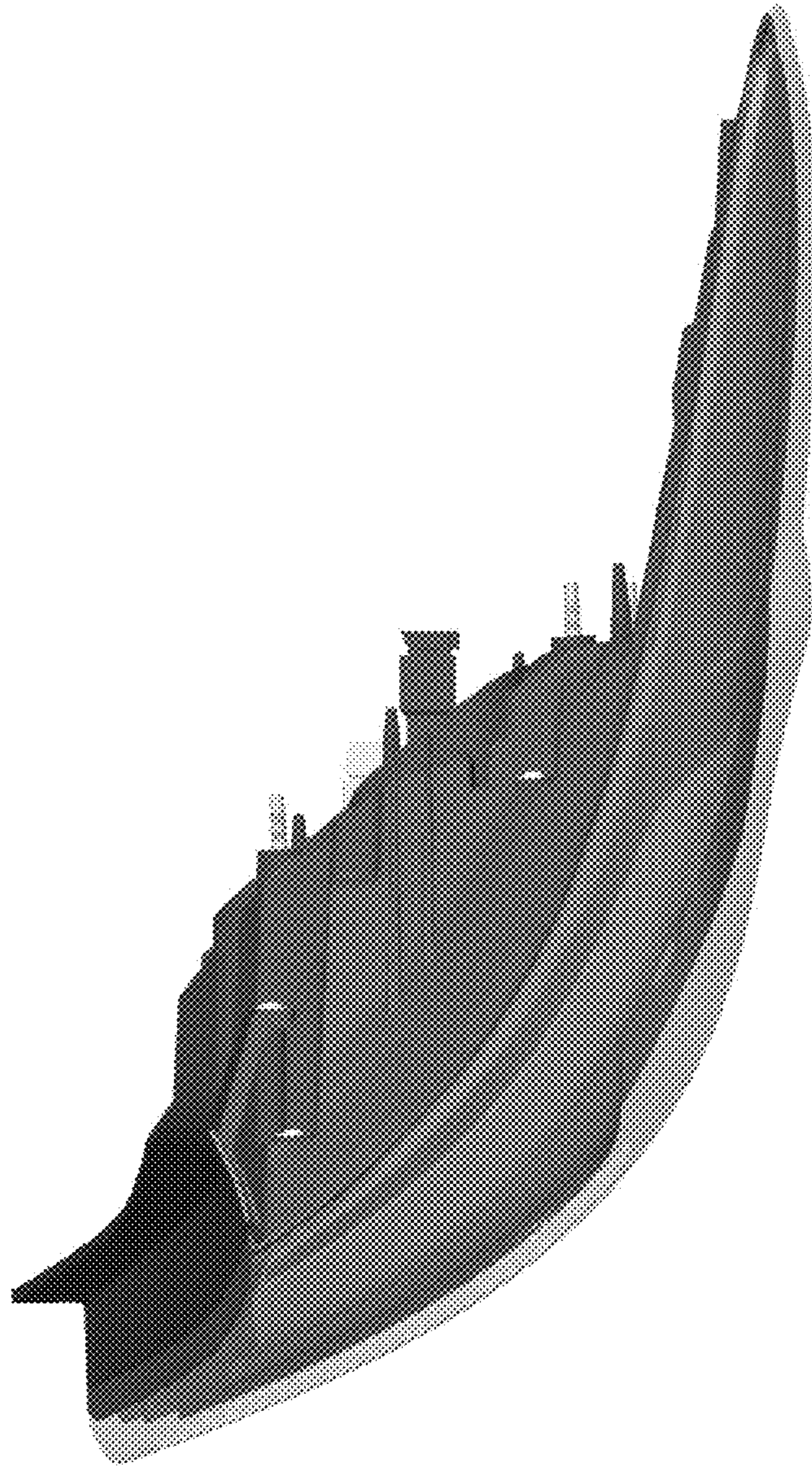


FIG. 7

