



US00D740464S

(12) **United States Design Patent**  
**Park et al.**

(10) **Patent No.:** **US D740,464 S**

(45) **Date of Patent:** **\*\* Oct. 6, 2015**

(54) **REAR COMBINATION LAMP FOR AUTOMOBILES**

(71) Applicant: **Hyundai Motor Company**, Seoul (KR)

(72) Inventors: **Dong-Jin Park**, Seoul (KR); **Dai-Sung Kim**, Gyeonggi-Do (KR)

(73) Assignee: **Hyundai Motor Company**, Seoul (KR)

(\*\*) Term: **14 Years**

(21) Appl. No.: **29/474,240**

(22) Filed: **Jul. 18, 2014**

(30) **Foreign Application Priority Data**

Feb. 17, 2014 (KR) ..... 30-2014-0007774

(51) **LOC (10) Cl.** ..... **26-06**

(52) **U.S. Cl.**  
USPC ..... **D26/28**

(58) **Field of Classification Search**  
USPC ..... D26/28-36; 362/459-476, 485-487,  
362/543-549; D12/86, 90-92  
CPC ... F21S 48/1159; F21S 48/00; F21S 48/1241;  
F21S 48/10; F21S 48/1329; F21S 48/20;  
F21S 48/2225; F21S 48/1266  
See application file for complete search history.

(56) **References Cited**

**U.S. PATENT DOCUMENTS**

D516,233 S \* 2/2006 Ikeda et al. .... D26/28  
D549,363 S \* 8/2007 Pfeiffer ..... D26/28

D605,793 S \* 12/2009 Weil ..... D26/28  
D618,835 S \* 6/2010 Jeong et al. .... D26/28  
D641,505 S \* 7/2011 Futschik et al. .... D26/28  
D714,986 S \* 10/2014 Moon et al. .... D26/28  
D720,871 S \* 1/2015 Lim et al. .... D26/28  
D721,840 S \* 1/2015 Futschik et al. .... D26/28

\* cited by examiner

*Primary Examiner* — Garth Rademaker

*Assistant Examiner* — Llorellys Martinez-Rivera

(74) *Attorney, Agent, or Firm* — Mintz Levin Cohn Ferris Glovsky and Popeo, P.C.; Kongsik Kim; Carolina E. Säve

(57) **CLAIM**

The ornamental design for a rear combination lamp for automobiles, as shown and described.

**DESCRIPTION**

FIG. 1 is a perspective view of a rear combination lamp for automobiles according to the present invention.

FIG. 2 is a front view of the rear combination lamp for automobiles of FIG. 1.

FIG. 3 is a rear view of the rear combination lamp for automobiles of FIG. 1.

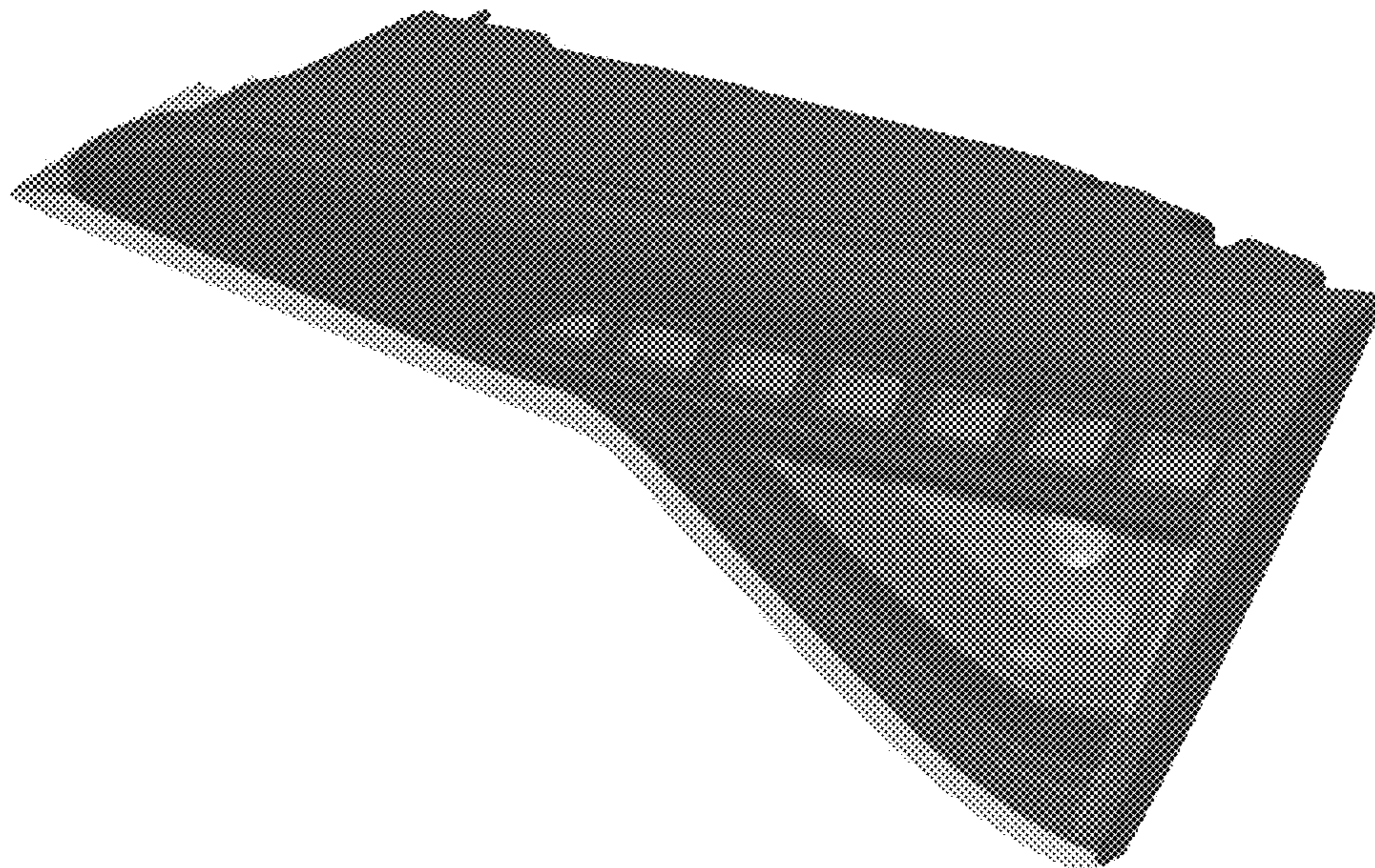
FIG. 4 is a left side view of the rear combination lamp for automobiles of FIG. 1.

FIG. 5 is a right side view of the rear combination lamp for automobiles of FIG. 1.

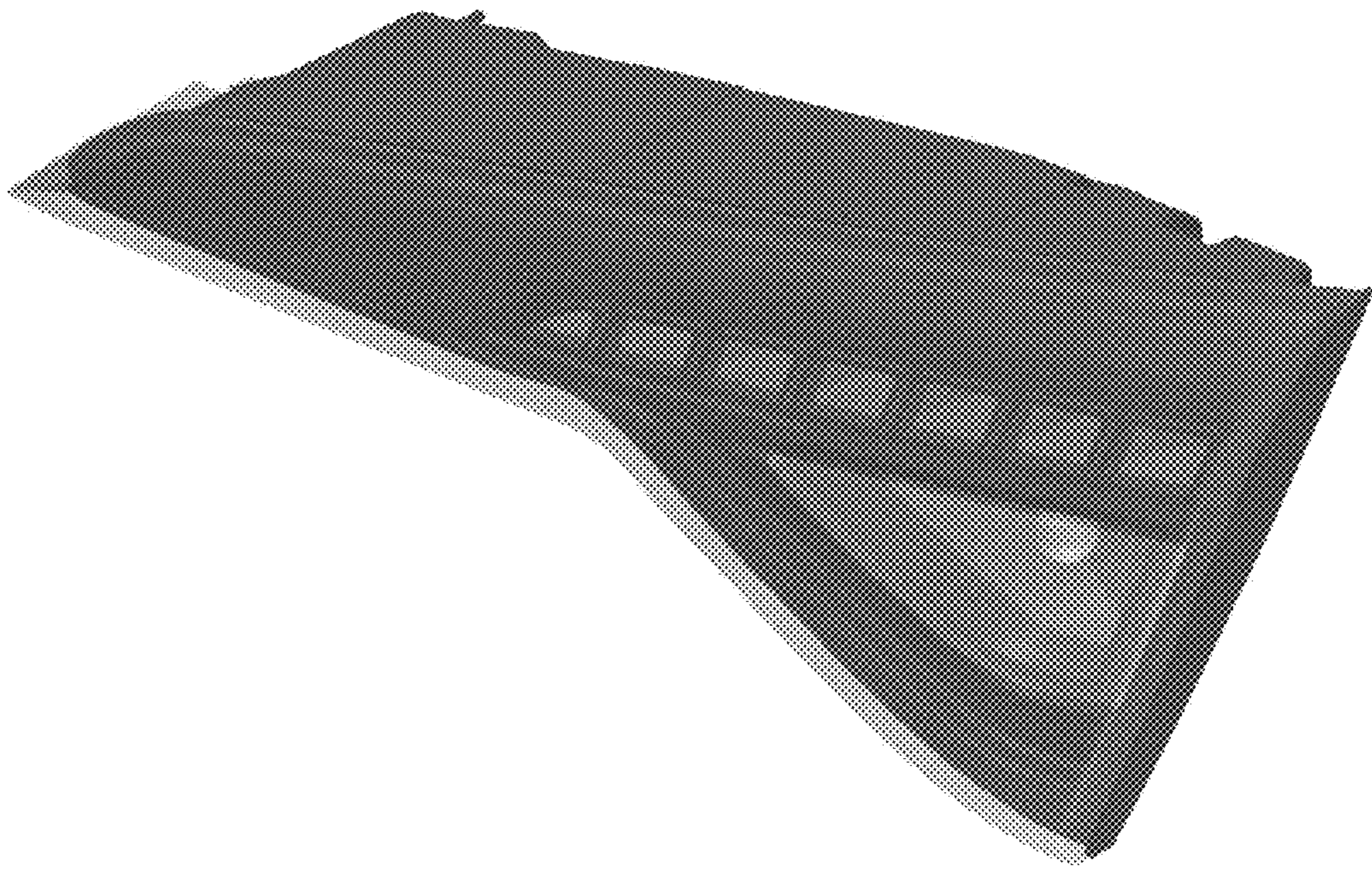
FIG. 6 is a top view of the rear combination lamp for automobiles of FIG. 1; and,

FIG. 7 is a bottom view of the rear combination lamp for automobiles of FIG. 1.

**1 Claim, 7 Drawing Sheets**



**FIG. 1**



**FIG. 2**

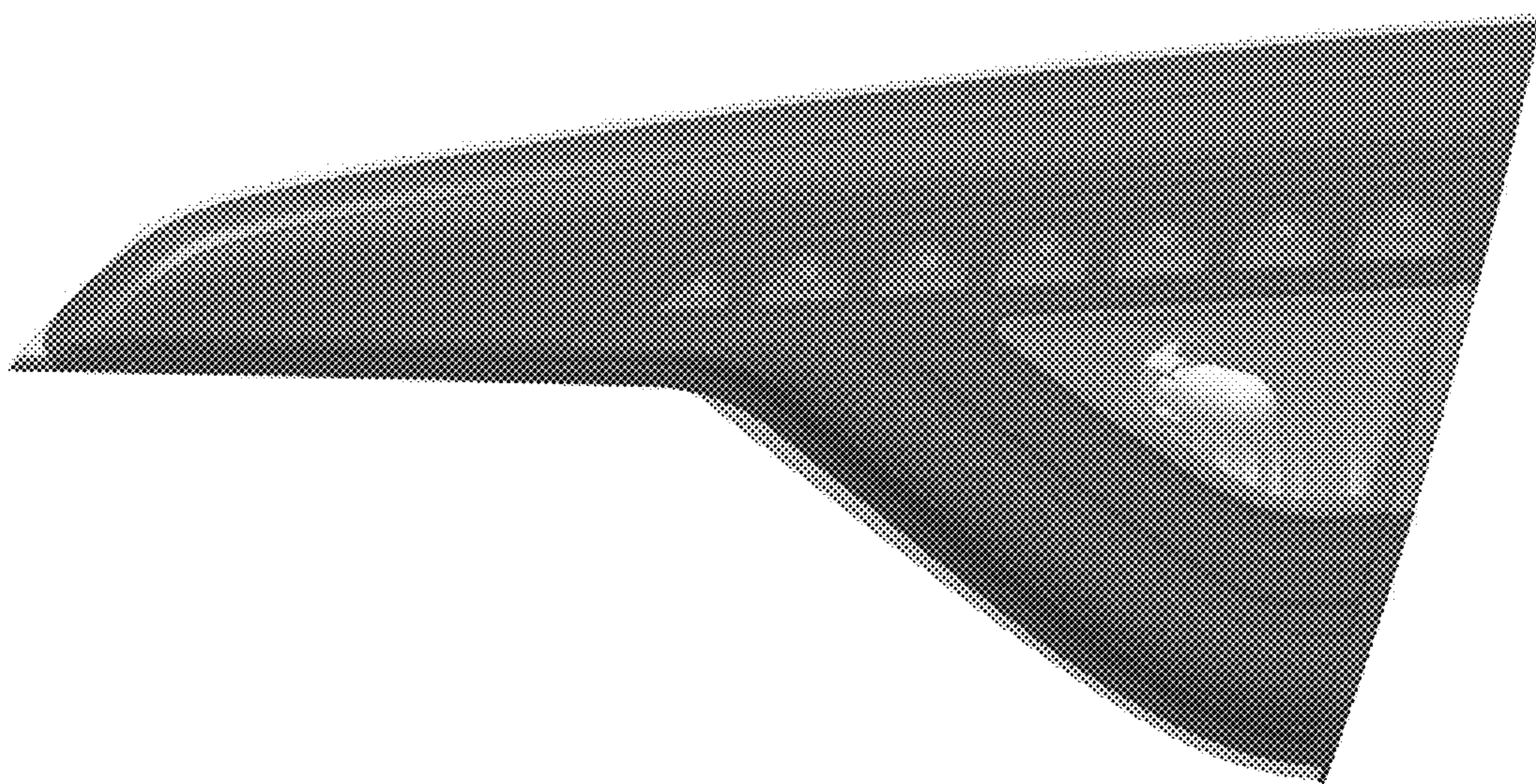
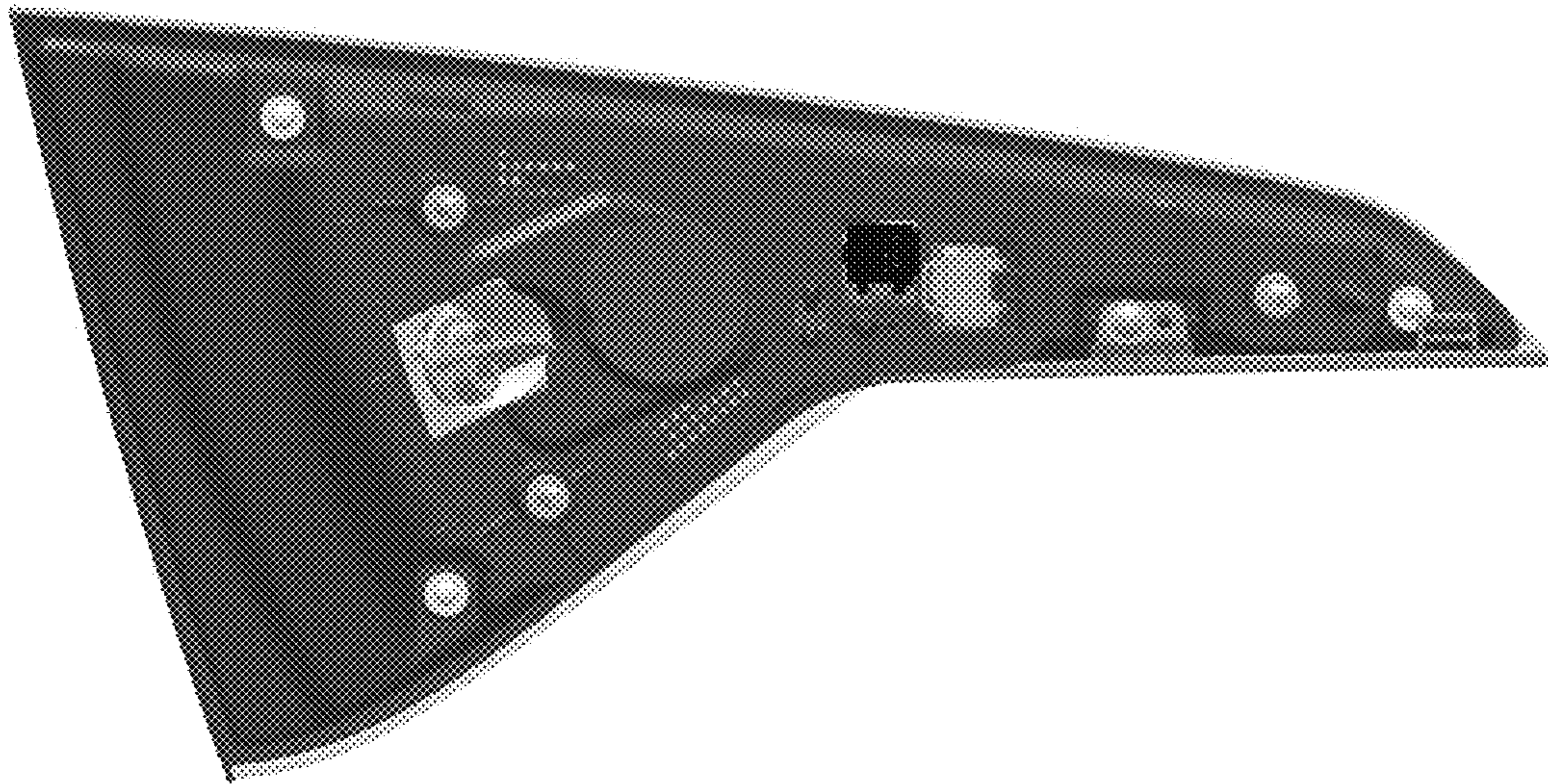


FIG. 3



**FIG. 4**

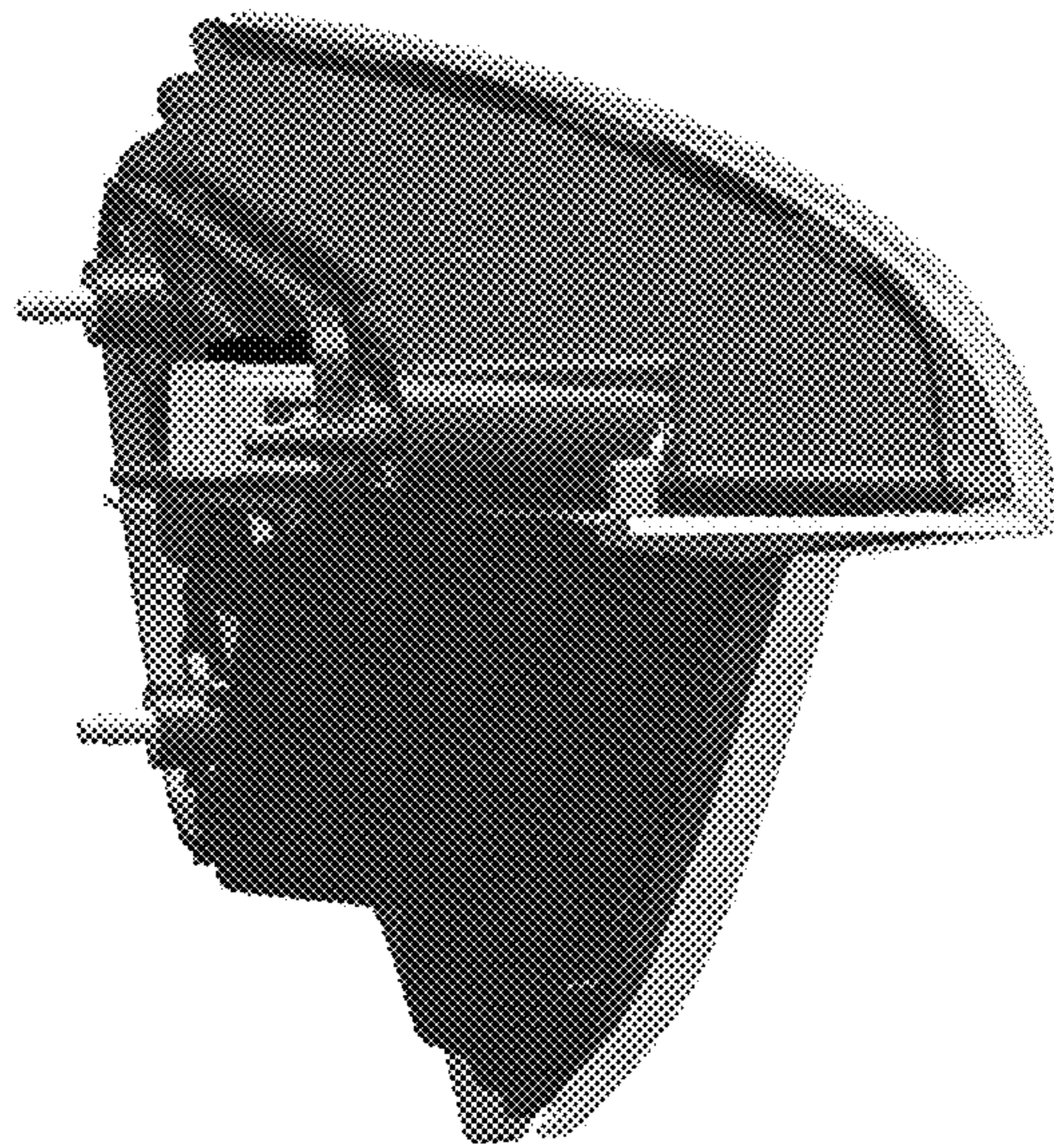


FIG. 5

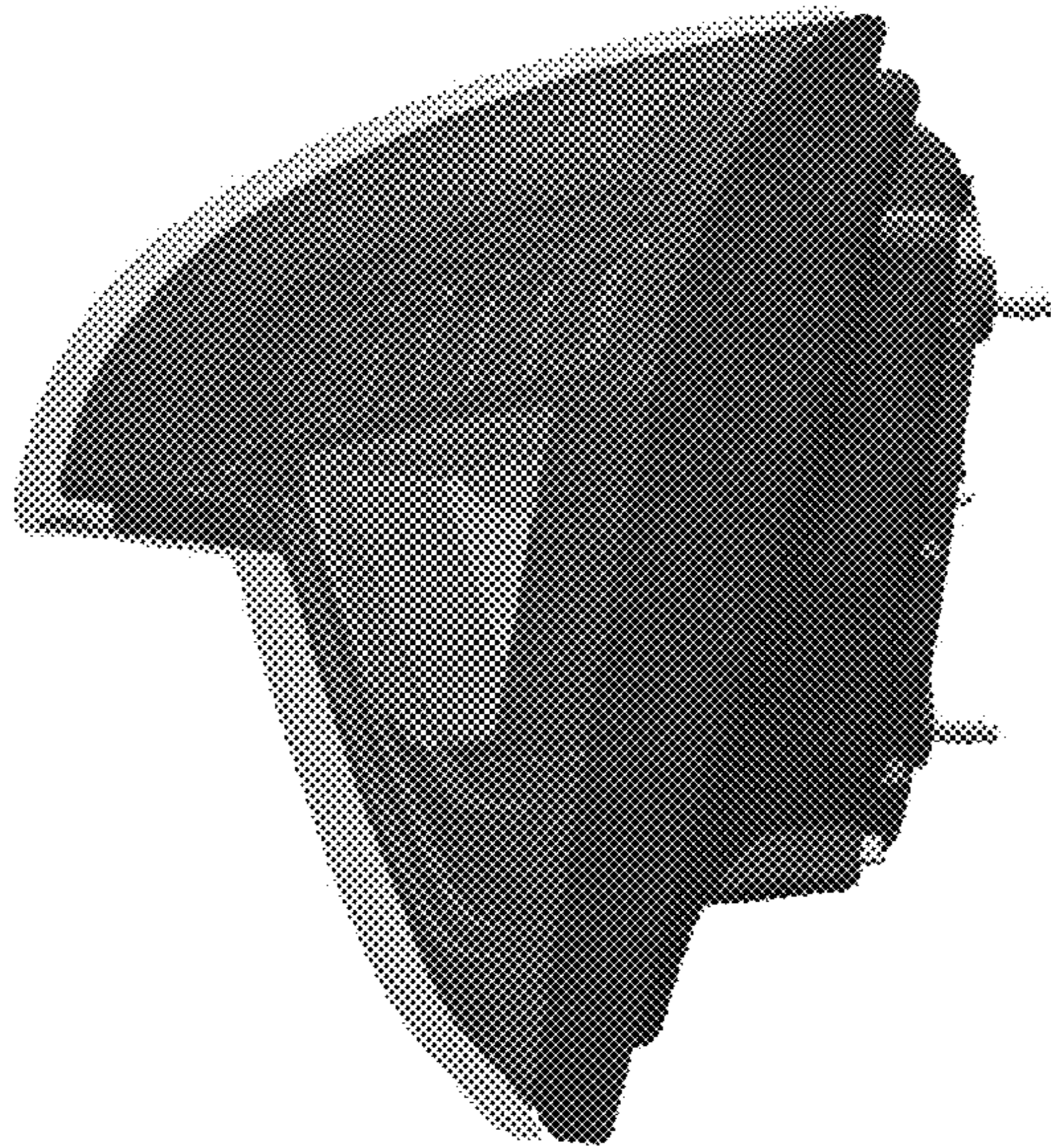


FIG. 6

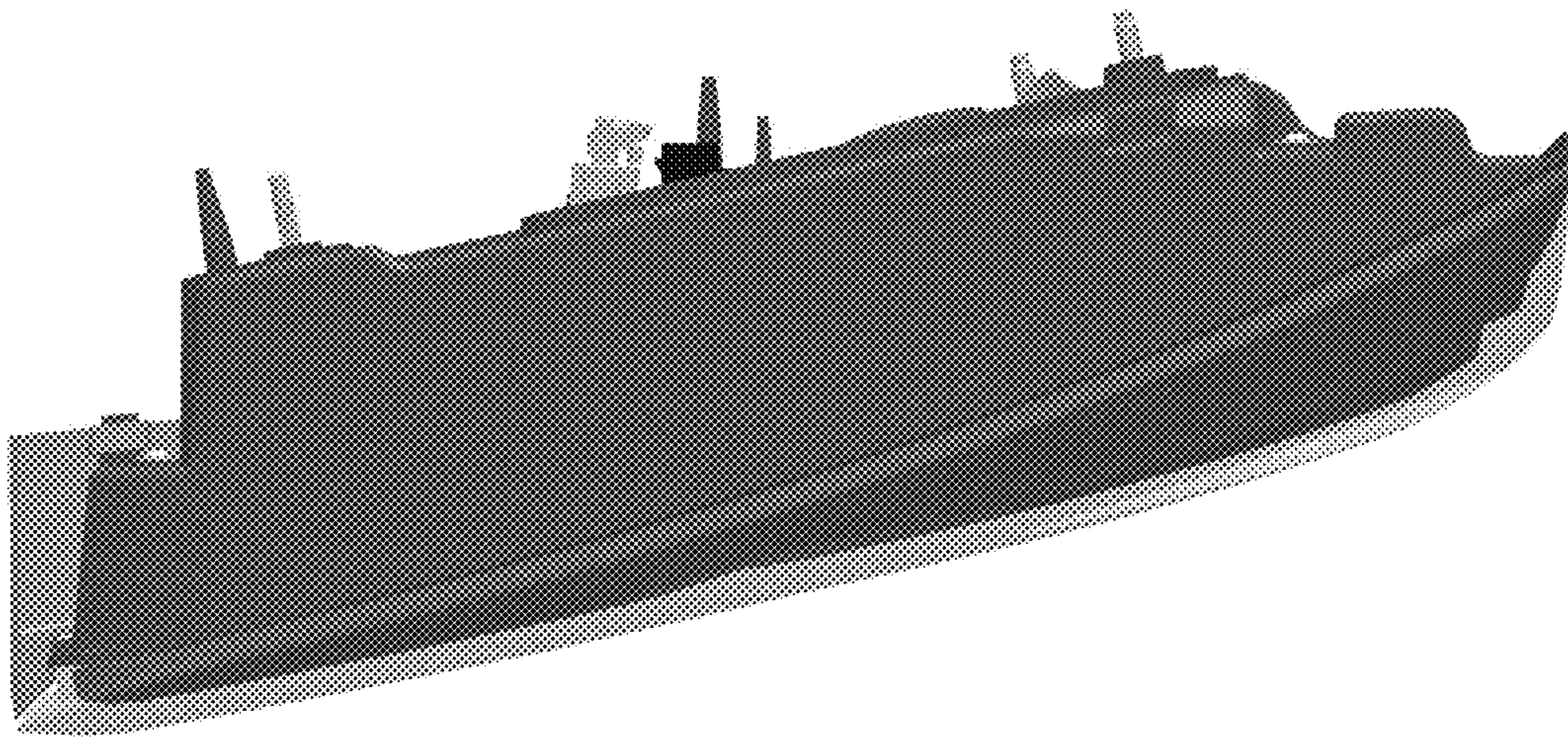


FIG. 7

