



US00D740463S

(12) **United States Design Patent**
Ko et al.

(10) **Patent No.:** **US D740,463 S**
(45) **Date of Patent:** **** Oct. 6, 2015**

- (54) **HEAD LAMP FOR AUTOMOBILE**
- (71) Applicant: **Hyundai Motor Company**, Seoul (KR)
- (72) Inventors: **Kwang Min Ko**, Gyeonggi-Do (KR);
Yun Soo Bae, Gyeonggi-Do (KR)
- (73) Assignee: **Hyundai Motor Company**, Seoul (KR)
- (**) Term: **14 Years**
- (21) Appl. No.: **29/463,457**
- (22) Filed: **Nov. 26, 2013**

- (30) **Foreign Application Priority Data**
Sep. 30, 2013 (KR) 30-2013-0049623
- (51) **LOC (10) Cl.** **26-06**
- (52) **U.S. Cl.**
USPC **D26/28**
- (58) **Field of Classification Search**
USPC D26/28-36; 362/459-468, 475-478,
362/485-487
CPC B62J 6/02; B62J 6/001; B60Q 1/2661;
B60Q 1/0041; B60Q 1/0047; B60Q 1/04;
B60Q 1/0408; B60Q 1/0433; B60Q 1/0466;
B60Q 1/24; B60Q 1/28; B60Q 1/18; B60Q
1/0035; B60Q 1/2607; F21S 48/1159
See application file for complete search history.

- (56) **References Cited**
U.S. PATENT DOCUMENTS
D544,614 S * 6/2007 Markefka D26/28
D613,436 S * 4/2010 Yamaguchi D26/28
D650,931 S * 12/2011 Lee et al. D26/28
D656,641 S * 3/2012 Oya et al. D26/28
D691,757 S * 10/2013 Lai D26/28
D710,522 S * 8/2014 Kwon et al. D26/28
* cited by examiner

Primary Examiner — Wan Laymon
(74) *Attorney, Agent, or Firm* — Mintz Levin Cohn Ferris
Glovsky and Popeo, P.C.; Kongsik Kim

(57) **CLAIM**
The ornamental design for a head lamp for automobile, as
shown and described.

DESCRIPTION

FIG. 1 is a perspective view of a head lamp for automobile
according to the present invention.
FIG. 2 is a front view of the head lamp for automobile of FIG.
1.
FIG. 3 is a rear view of the head lamp for automobile of FIG.
1.
FIG. 4 is a left side view of the head lamp for automobile of
FIG. 1.
FIG. 5 is a right side view of the head lamp for automobile of
FIG. 1.
FIG. 6 is a top view of the head lamp for automobile of FIG.
1; and,
FIG. 7 is a bottom view of the head lamp for automobile of
FIG. 1.

1 Claim, 7 Drawing Sheets

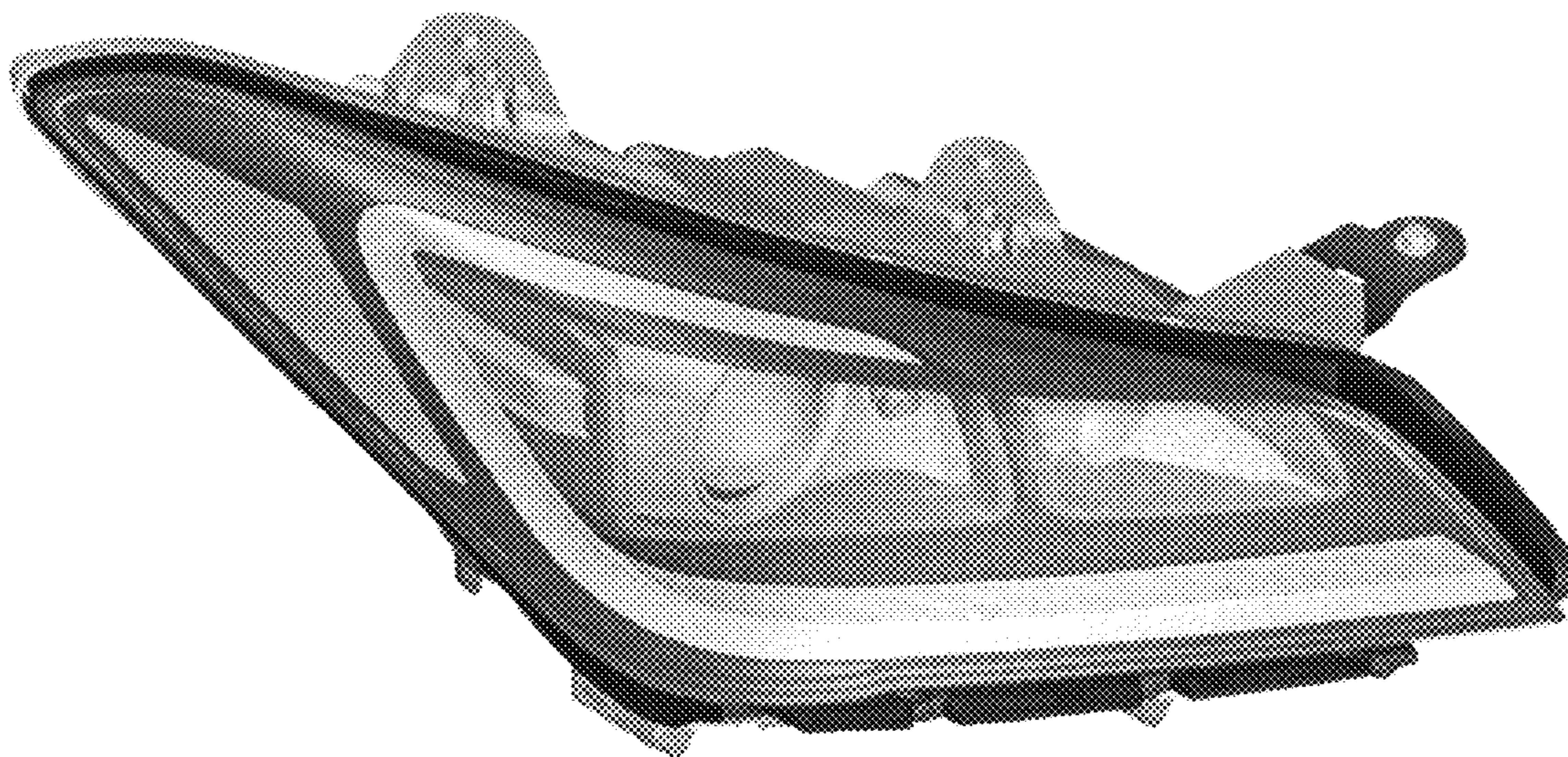


FIG. 1

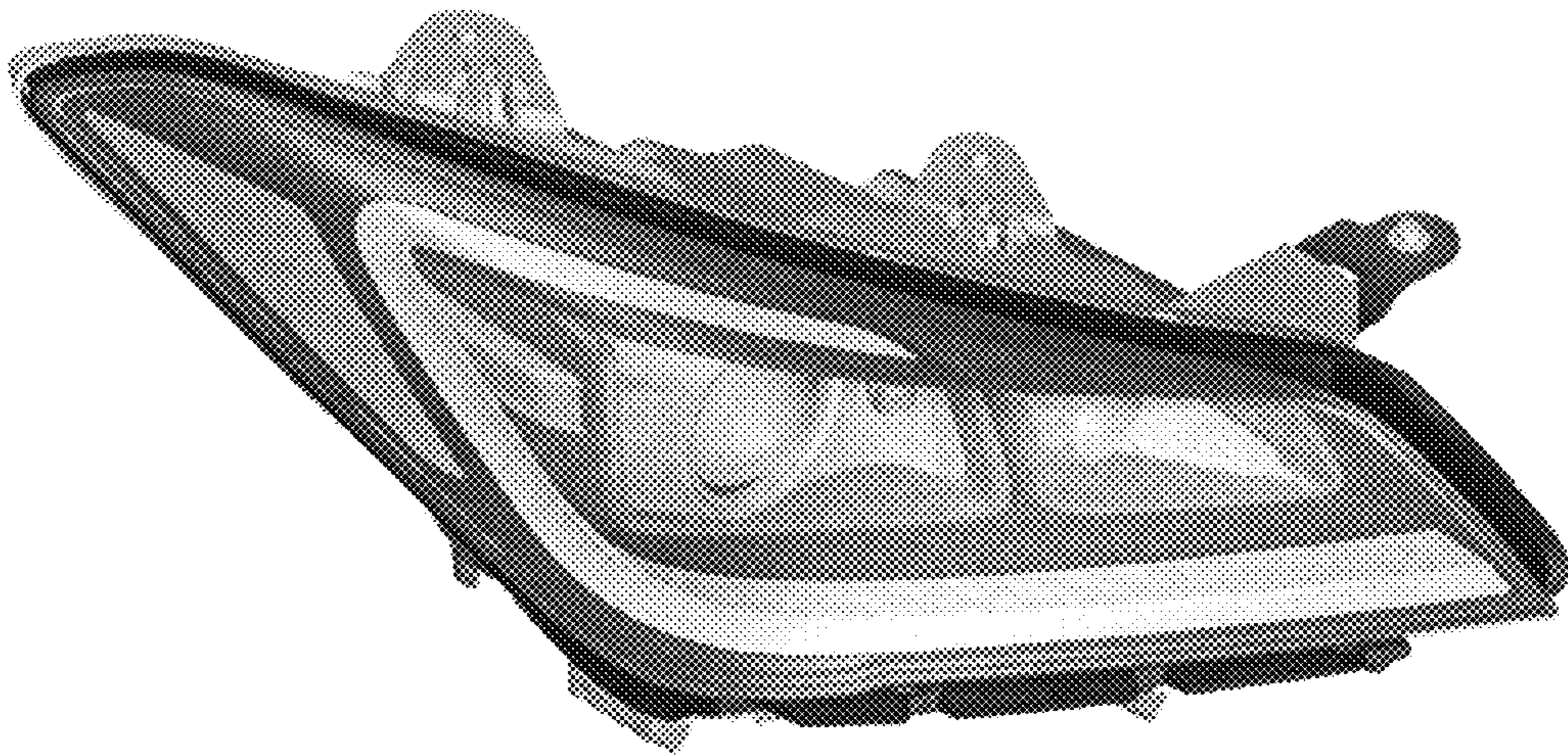


FIG. 2

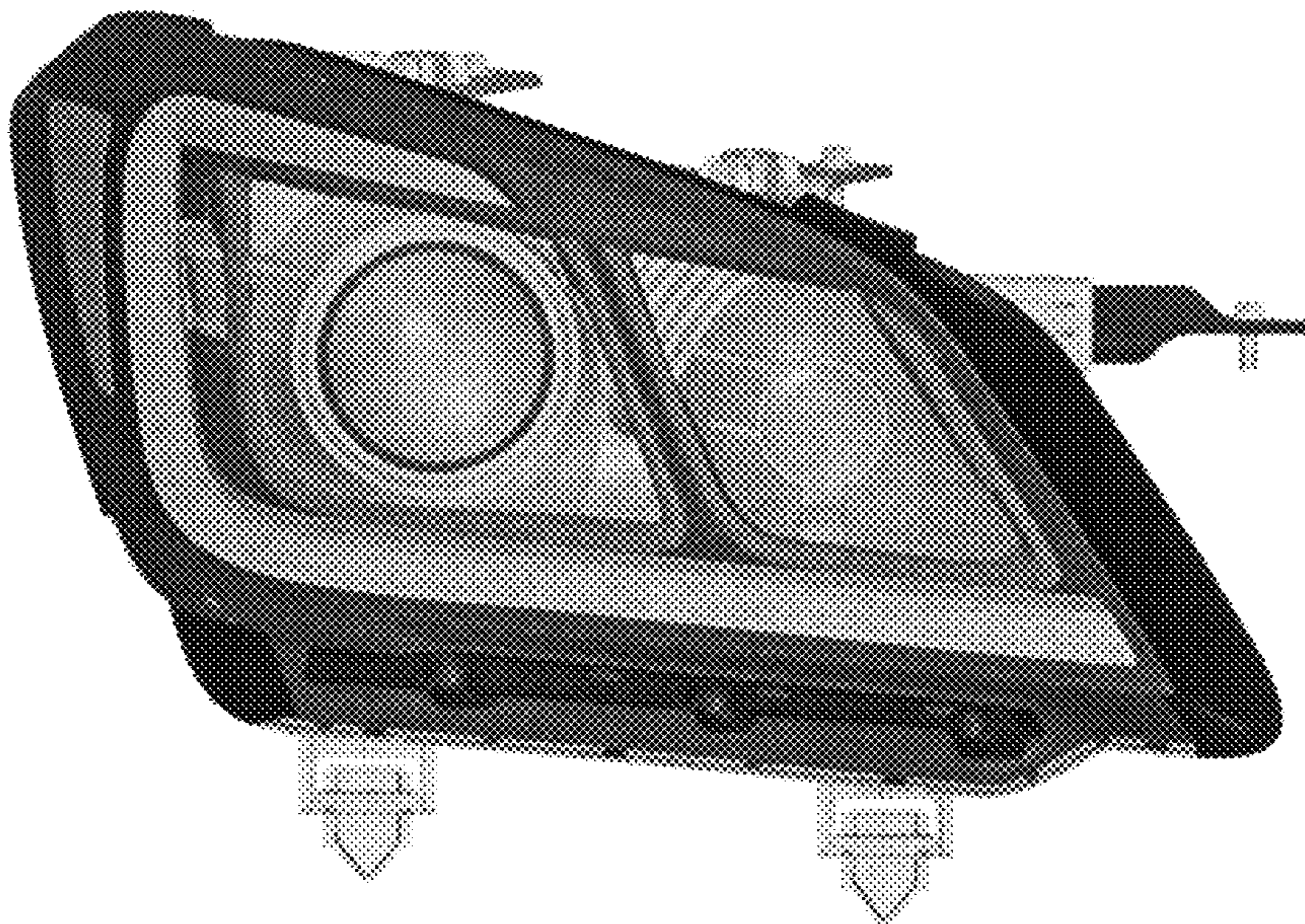


FIG. 3

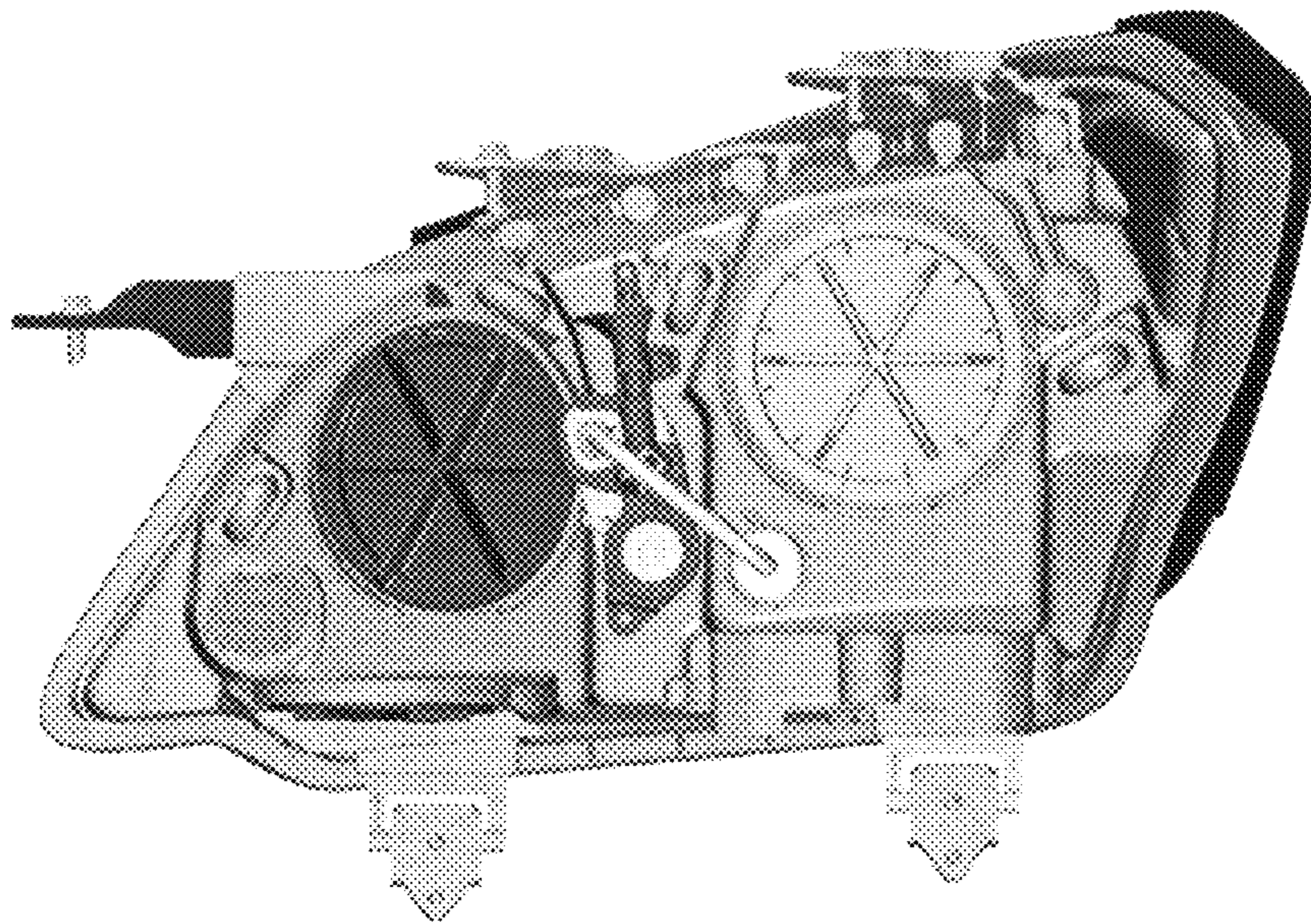


FIG. 4

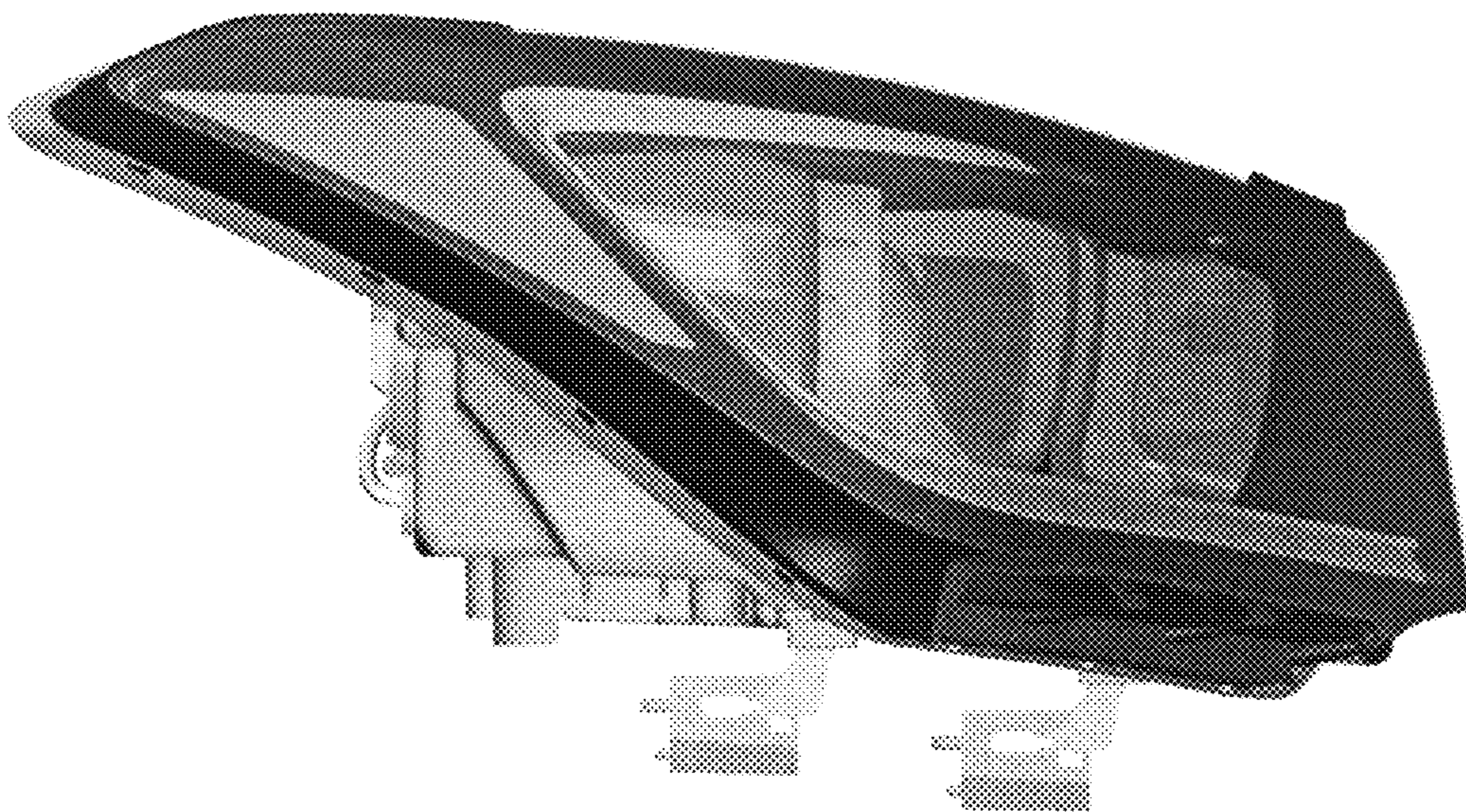


FIG. 5

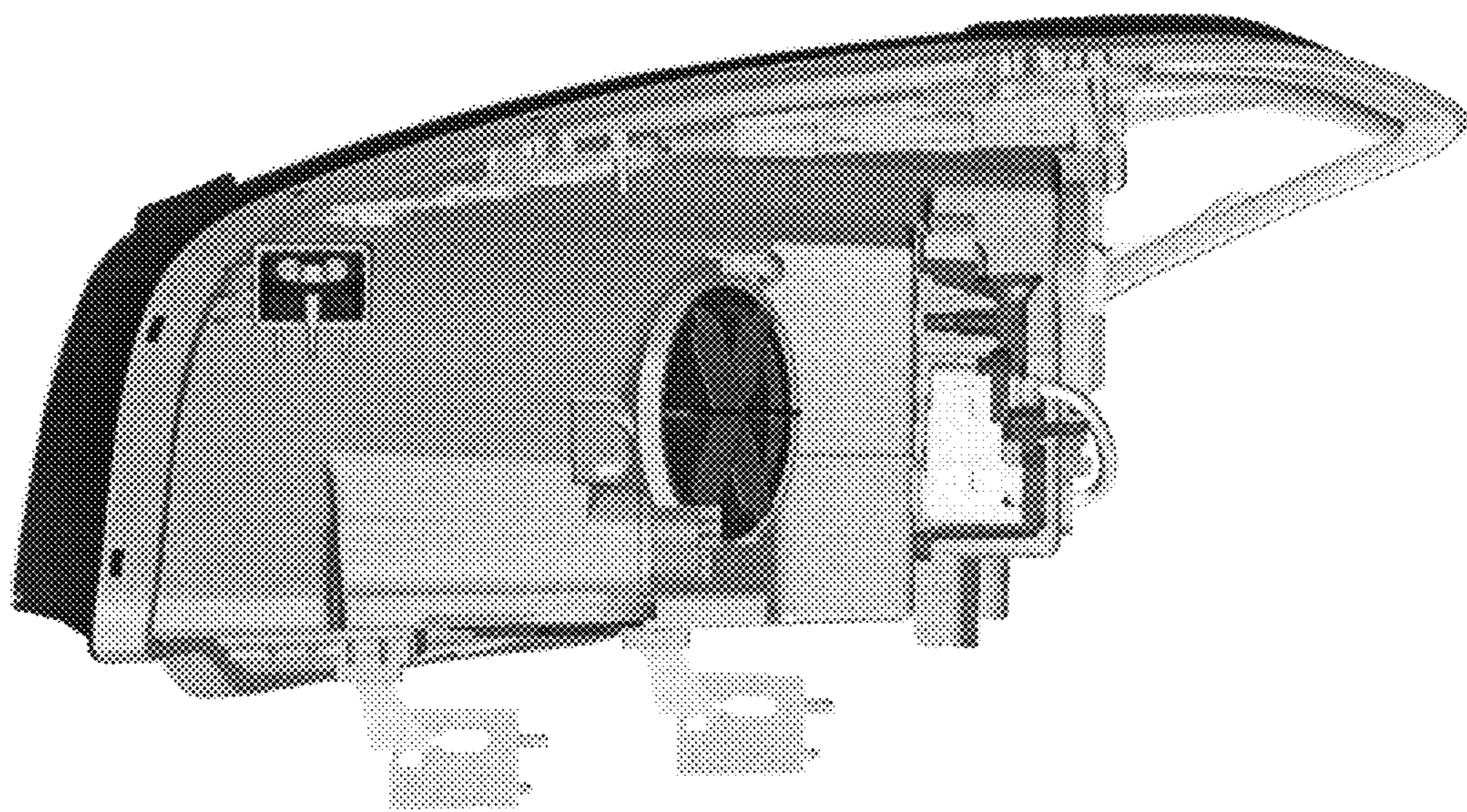


FIG. 6

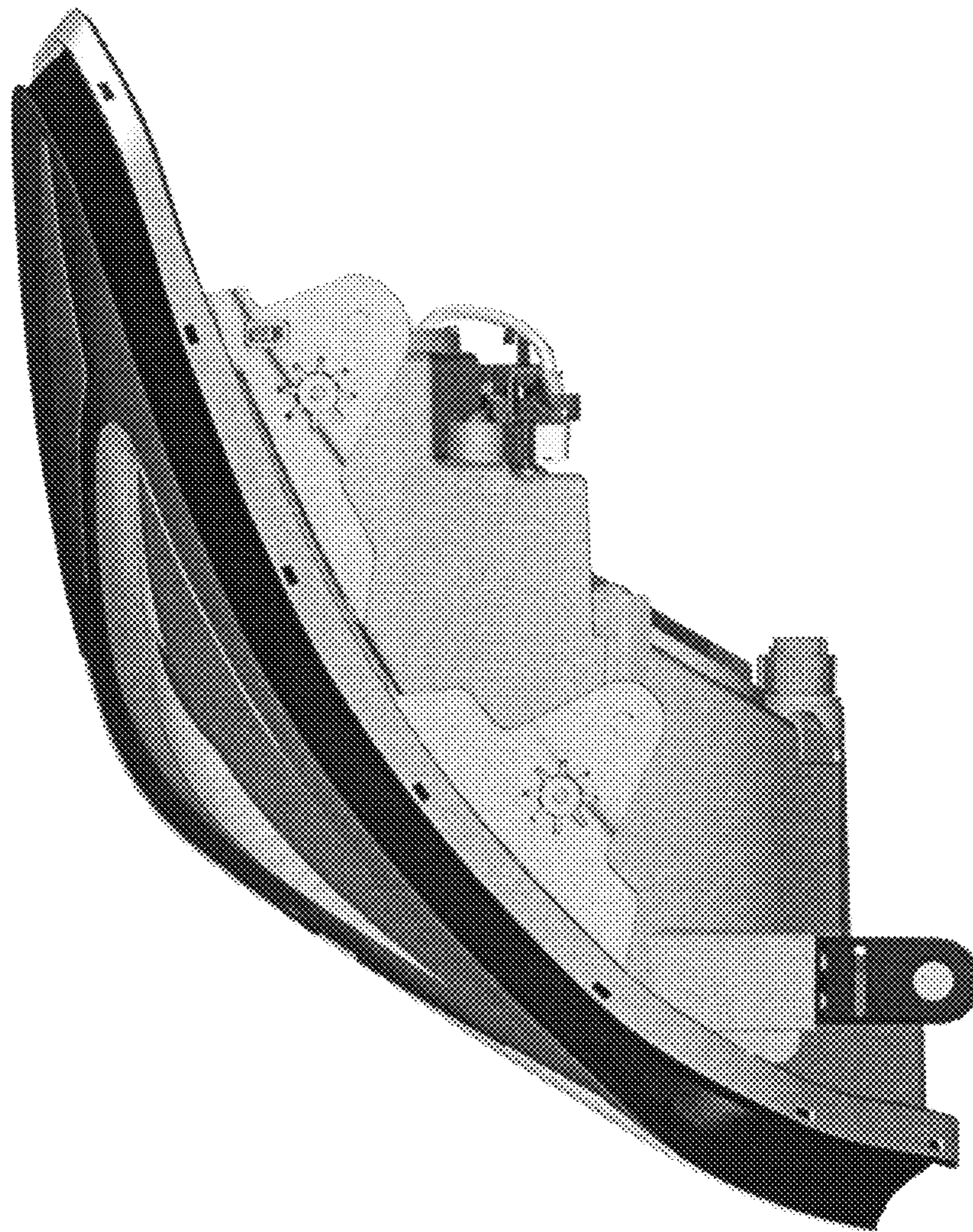


FIG. 7

