



US00D740462S

(12) **United States Design Patent**
Schwenk

(10) **Patent No.:** **US D740,462 S**
(45) **Date of Patent:** **** Oct. 6, 2015**

(54) **EXTENDABLE PILLAR**

(56) **References Cited**

- (71) Applicant: **Winvic Sales Inc.**, Markham (CA)
- (72) Inventor: **Donna Baker Schwenk**, Rockport, MA (US)
- (73) Assignee: **Winvic Sales Inc.**, Markham, Ontario (CA)
- (**) Term: **14 Years**
- (21) Appl. No.: **29/485,680**
- (22) Filed: **Mar. 21, 2014**

U.S. PATENT DOCUMENTS

D90,262 S *	7/1933	Sanzenbacher	D6/708
2,553,103 A *	5/1951	Miller	248/27.8
D244,652 S *	6/1977	Tegner	D6/524
D413,399 S *	8/1999	Robinson	D26/9
2007/0084108 A1 *	4/2007	Hertlein	47/47

* cited by examiner

Primary Examiner — Doris Clark

(74) *Attorney, Agent, or Firm* — McAndrews, Held & Malloy, Ltd.

(57) **CLAIM**

The ornamental design for an extendable pillar, as shown and described.

DESCRIPTION

FIG. 1 is a top, front perspective view of an extendable pillar showing my new ornamental design in an extended position with dashed broken lines representing unclaimed environmental subject matter that forms no part of the claimed design;

FIG. 2 is a front elevation view thereof;

FIG. 3 is a top plan view thereof;

FIG. 4 is a bottom plan view thereof;

FIG. 5 is a top, front perspective view of the extendable pillar in a compressed position with dashed broken lines representing unclaimed environmental subject matter that forms no part of the claimed design;

FIG. 6 is a front elevation view thereof;

FIG. 7 is a top plan view thereof; and,

FIG. 8 is a bottom plan view thereof.

Related U.S. Application Data

(63) Continuation of application No. 29/462,567, filed on Aug. 6, 2013, now Pat. No. Des. 710,039, which is a continuation of application No. 13/908,787, filed on Jun. 3, 2013, now abandoned.

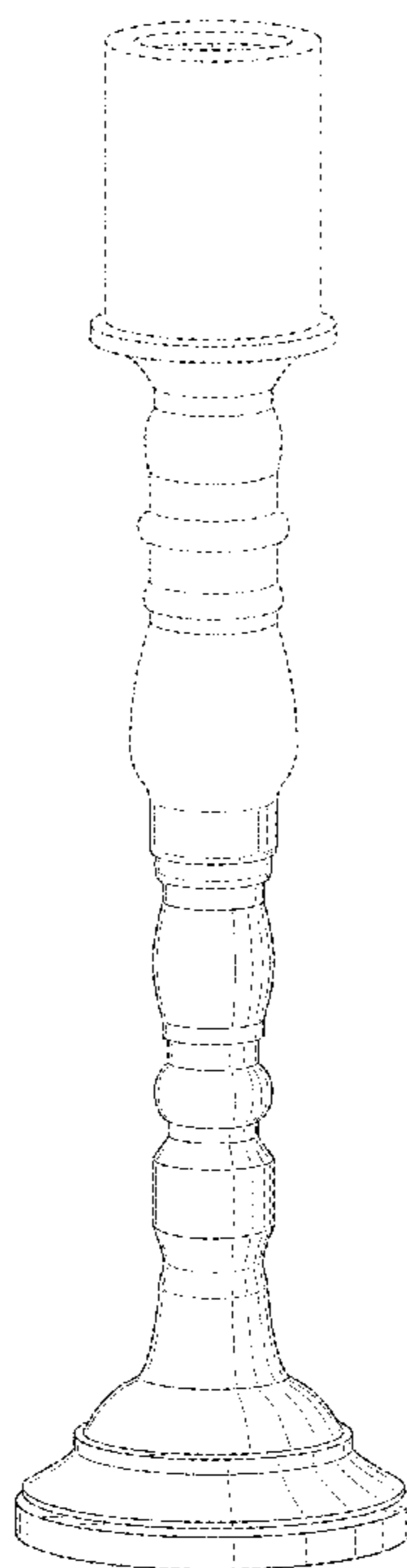
(51) **LOC (10) Cl.** **26-01**

(52) **U.S. Cl.**
USPC **D26/9; D6/708**

(58) **Field of Classification Search**
USPC D6/403, 708, 712, 556, 512; D26/9, 22; 47/39, 41.01, 41.11, 41.15, 47; 211/60.1; 431/288, 289, 295; 248/27.8, 248/448, 449, 460, 461, 519, 125.8

See application file for complete search history.

1 Claim, 4 Drawing Sheets



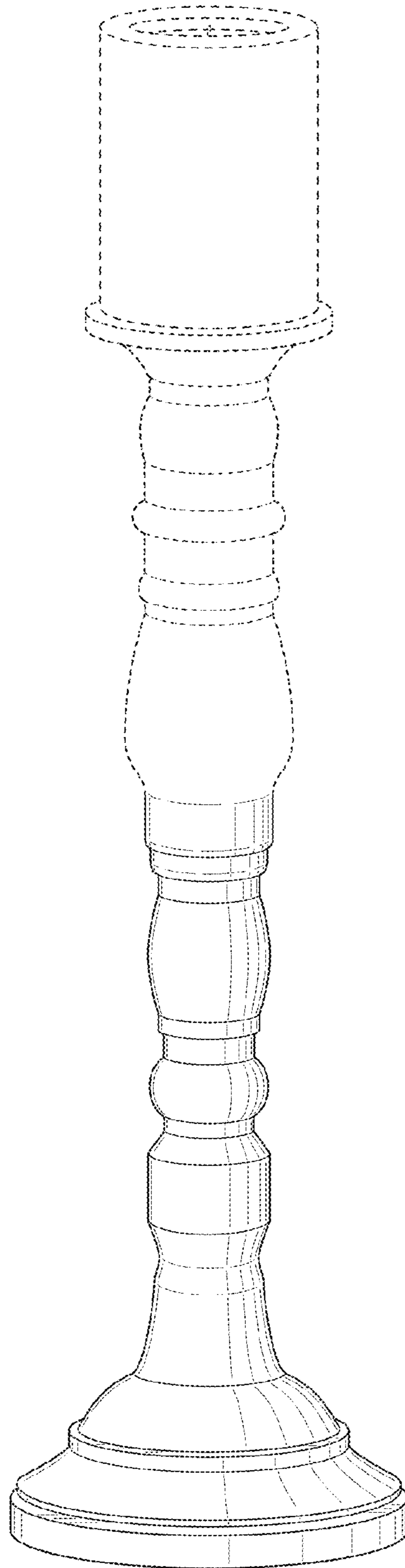


FIG. 1

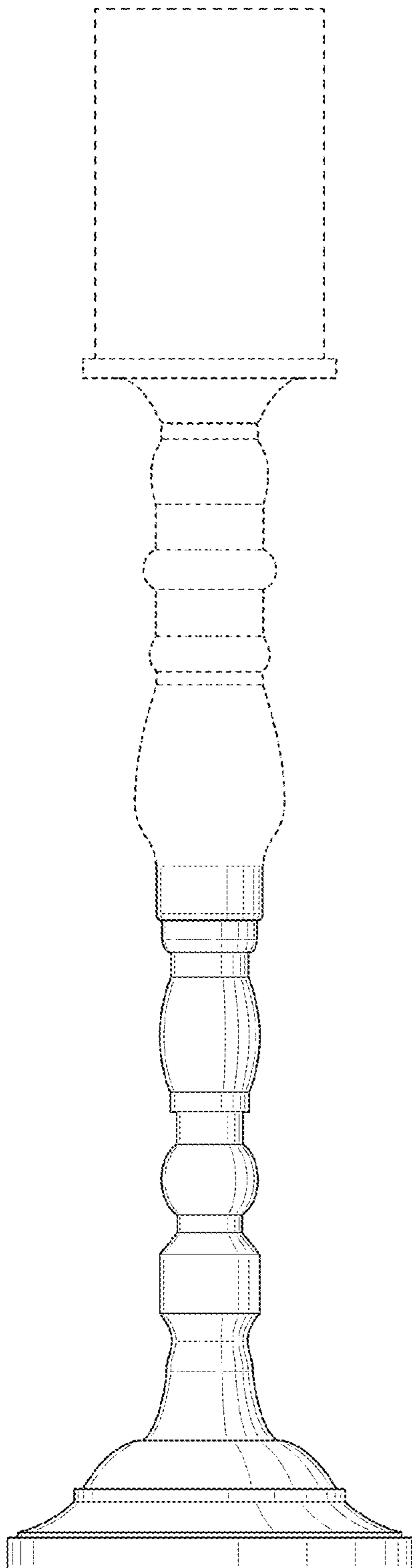


FIG. 2

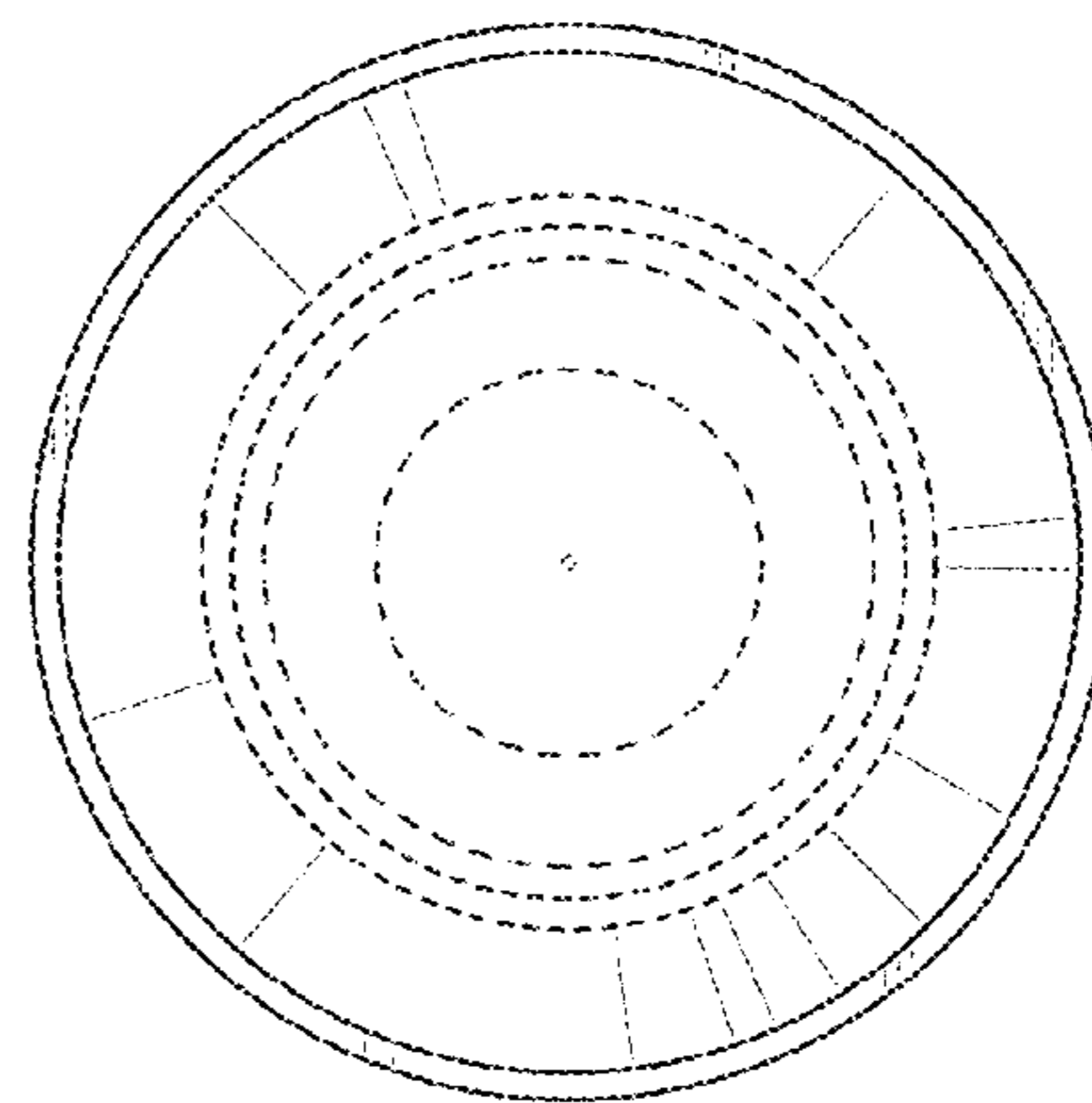


FIG. 3

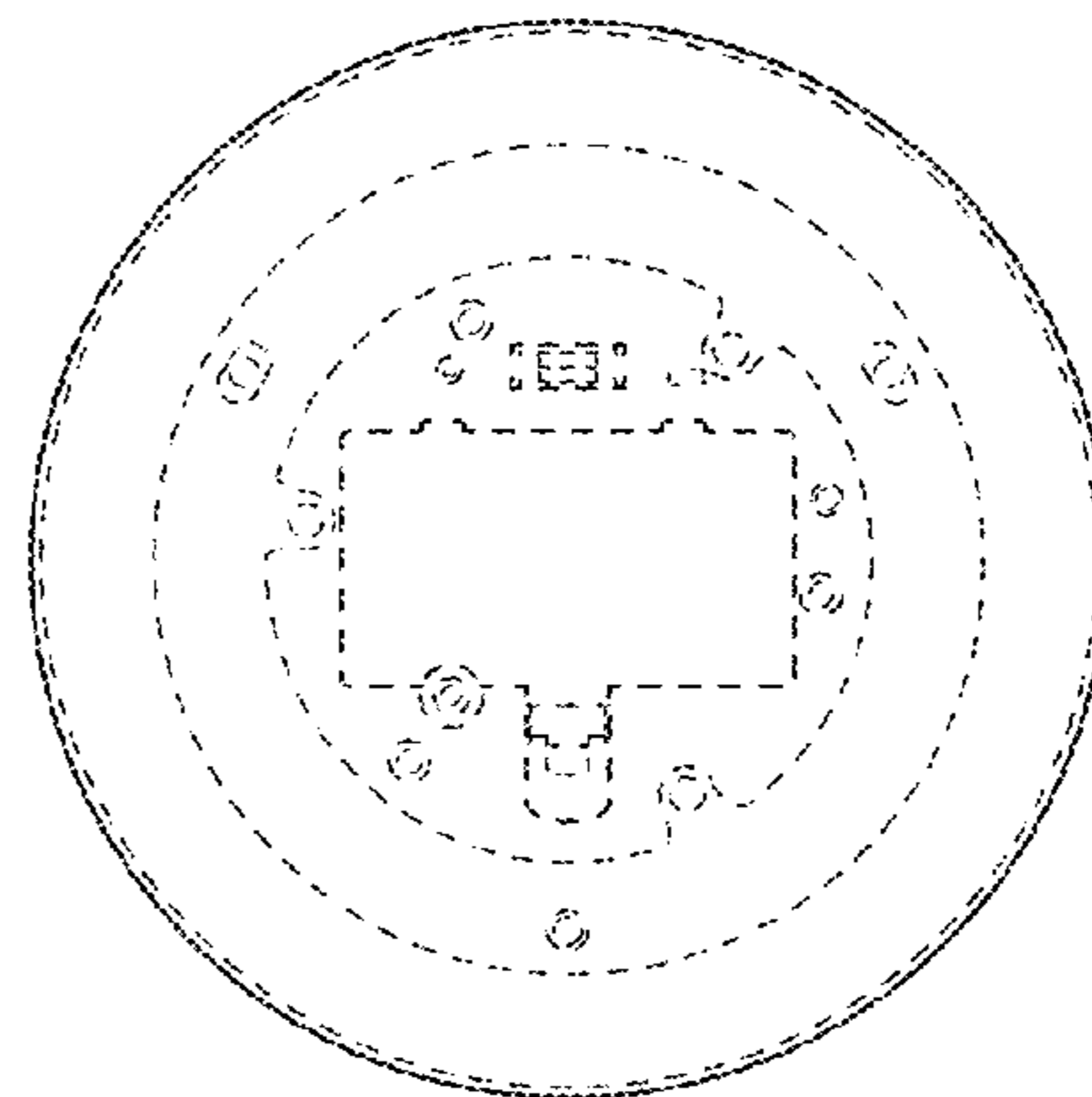


FIG. 4

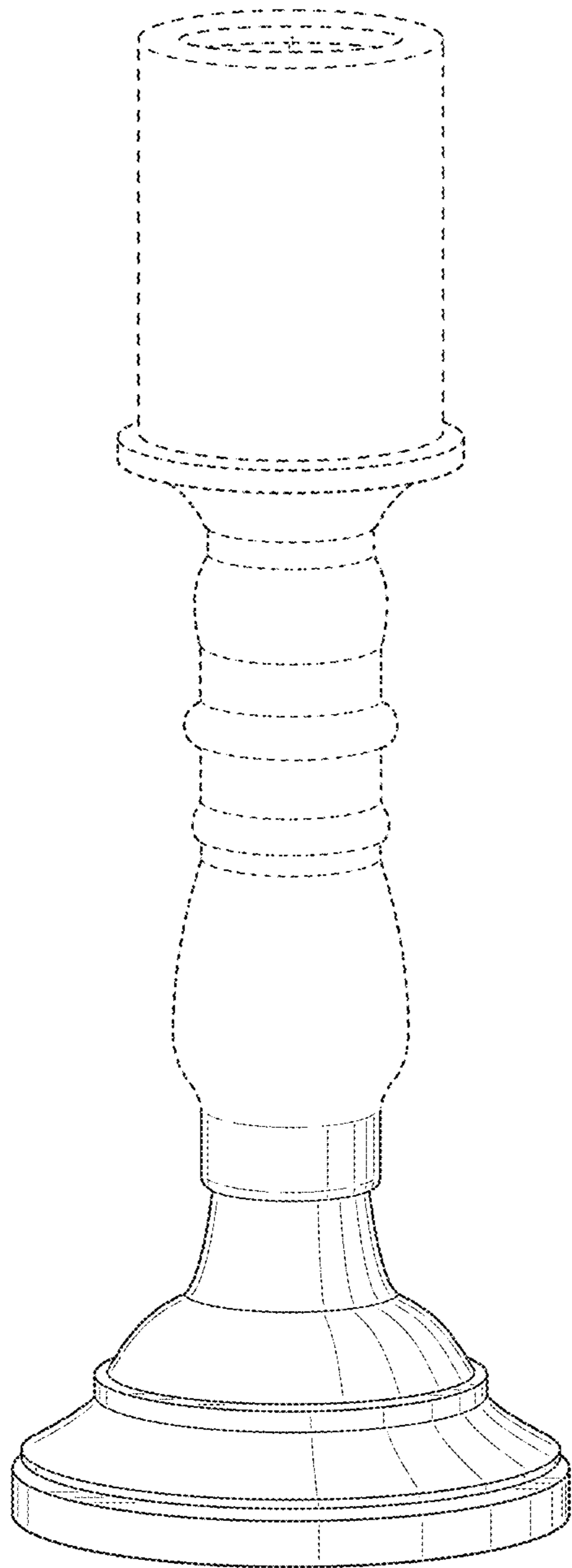


FIG. 5

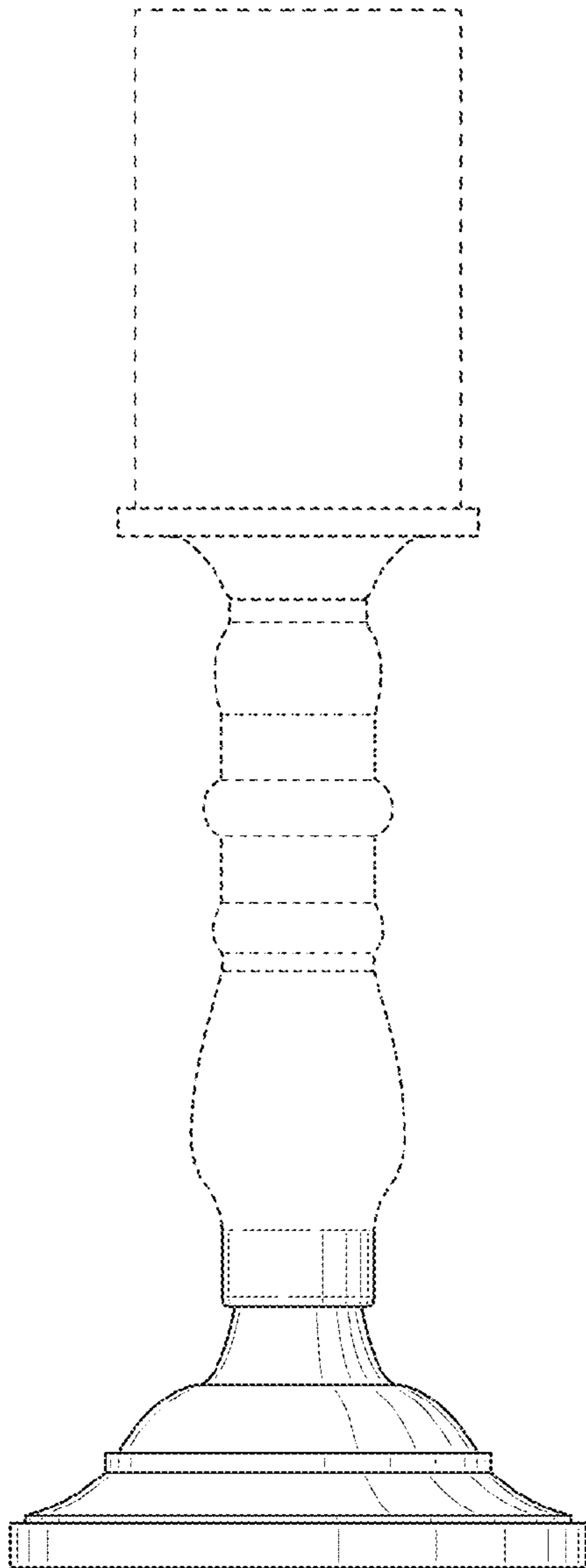


FIG. 6

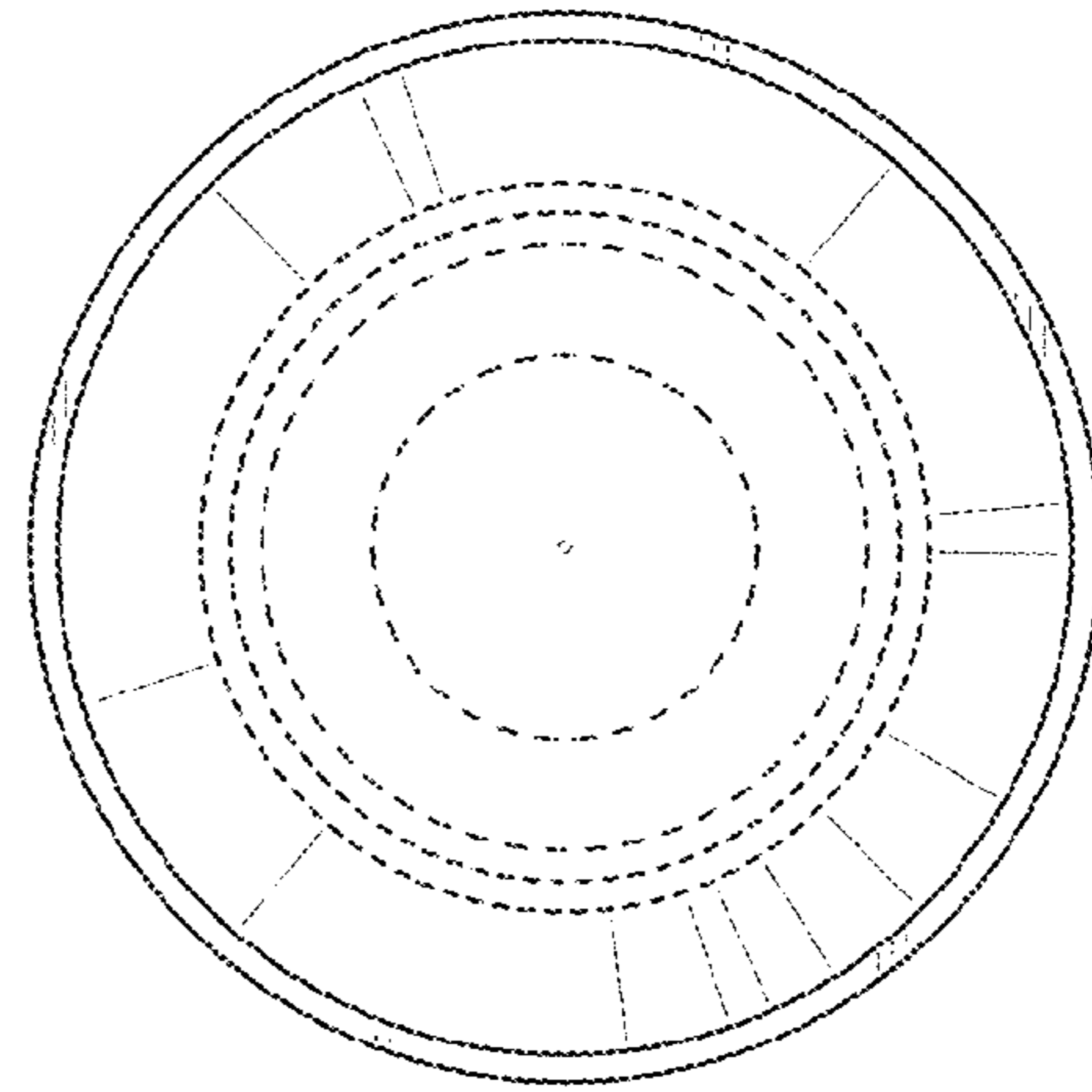


FIG. 7

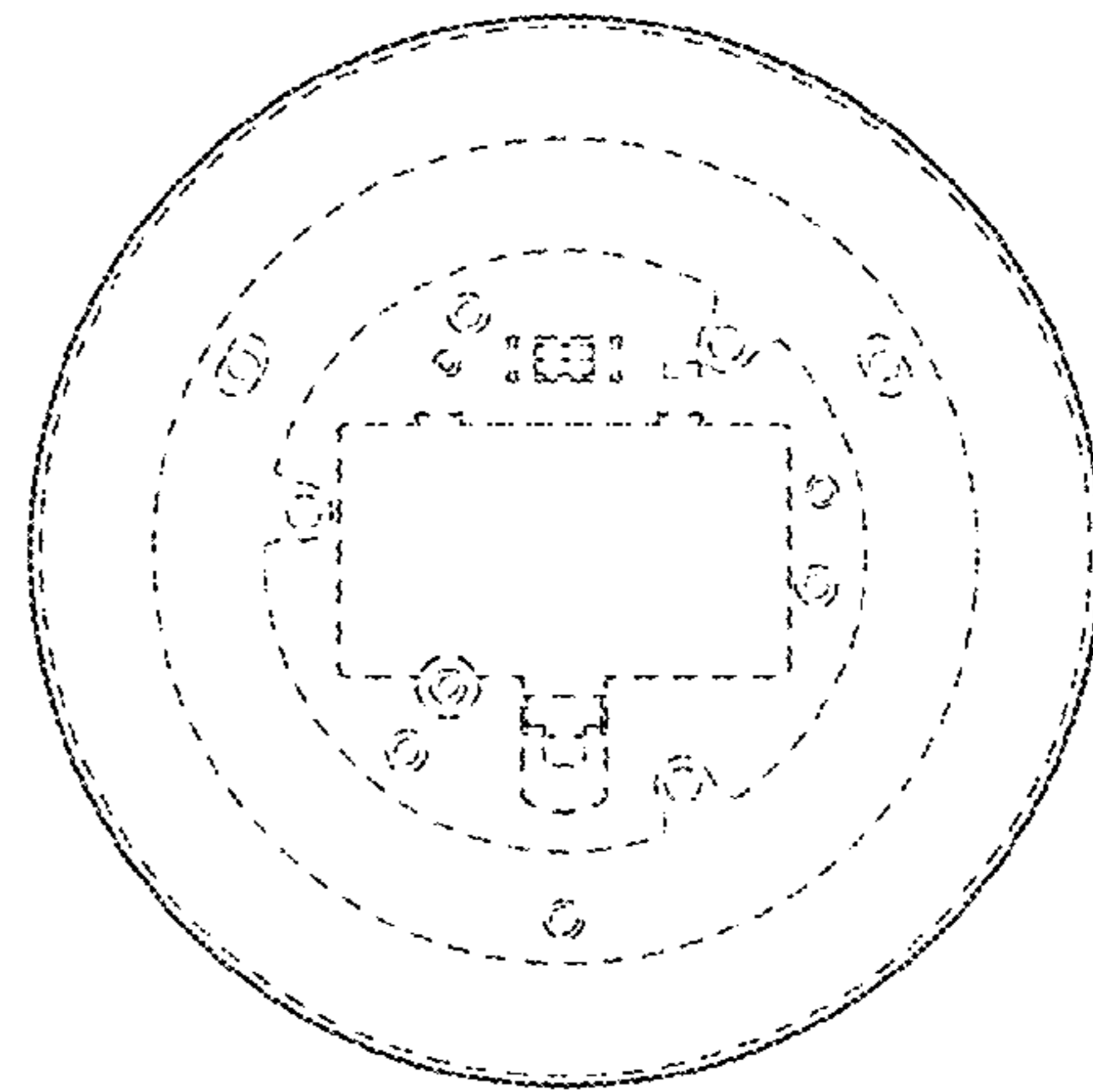


FIG. 8