



US00D740457S

(12) **United States Design Patent**  
**Rodinger et al.**

(10) **Patent No.:** **US D740,457 S**

(45) **Date of Patent:** **\*\* Oct. 6, 2015**

(54) **LED BULB**

FOREIGN PATENT DOCUMENTS

(71) Applicants: **Tomas Rodinger**, Vancouver (CA);  
**Gimmy Chu**, Mississauga (CA);  
**Christian Yan**, Scarborough (CA)

CN 201100601 Y 8/2008  
CN 201795398 U 4/2011  
GB 2484152 A 4/2012

\* cited by examiner

(72) Inventors: **Tomas Rodinger**, Vancouver (CA);  
**Gimmy Chu**, Mississauga (CA);  
**Christian Yan**, Scarborough (CA)

*Primary Examiner* — Marcus Jackson

(74) *Attorney, Agent, or Firm* — McMill LLP

(73) Assignee: **NanoGrid Limited Hong Kong**, Hong Kong (CN)

(57) **CLAIM**

The ornamental design for an LED bulb, as shown and described.

(\*\*) Term: **14 Years**

(21) Appl. No.: **29/492,550**

**DESCRIPTION**

(22) Filed: **May 30, 2014**

**Related U.S. Application Data**

(63) Continuation-in-part of application No. 29/445,982, filed on Feb. 19, 2013, now Pat. No. Des. 706,960.

(51) **LOC (10) Cl.** ..... **26-04**

(52) **U.S. Cl.**  
USPC ..... **D26/2**

(58) **Field of Classification Search**  
USPC ..... D26/1-4; 313/313, 315, 316, 317, 318, 313/493; 315/52, 53, 56, 57, 58  
See application file for complete search history.

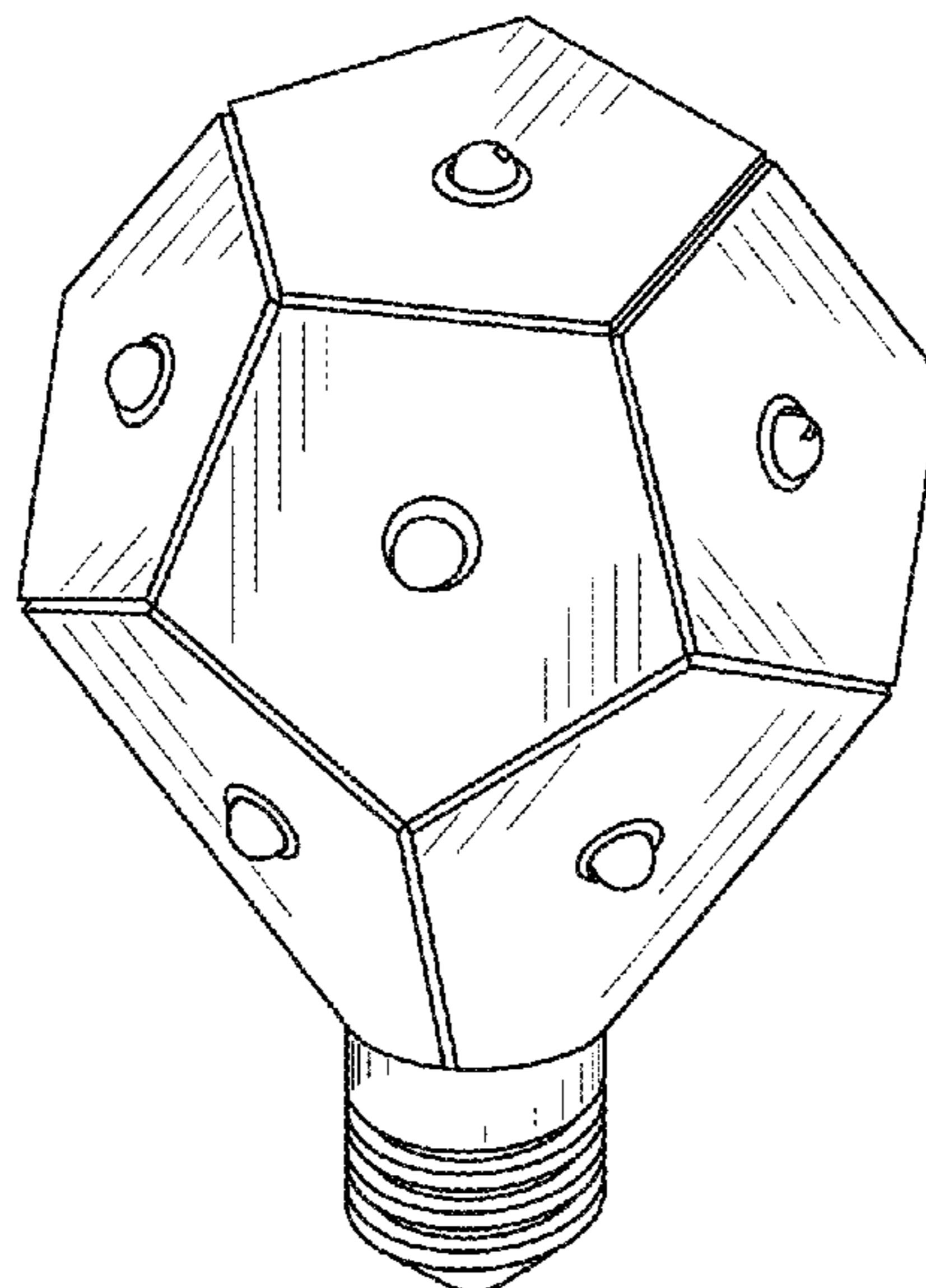
FIG. 1 is a perspective view of a first embodiment of an LED bulb;  
FIG. 2 is a bottom view thereof;  
FIG. 3 is a side profile view thereof;  
FIG. 4 is a top plan view thereof;  
FIG. 5 is a perspective view of a second embodiment of an LED bulb;  
FIG. 6 is a bottom view thereof;  
FIG. 7 is a side profile view thereof;  
FIG. 8 is a top plan view thereof;  
FIG. 9 is a perspective view of a third embodiment of an LED bulb;  
FIG. 10 is a bottom view thereof;  
FIG. 11 is a side profile view thereof;  
FIG. 12 is a top plan view thereof;  
FIG. 13 is a perspective view of a fourth embodiment of an LED bulb;  
FIG. 14 is a bottom view thereof;  
FIG. 15 is a side profile view thereof; and,  
FIG. 16 is a top plan view thereof.

(56) **References Cited**

U.S. PATENT DOCUMENTS

D553,266 S \* 10/2007 Maxik ..... D26/2  
D566,300 S \* 4/2008 Lo ..... D26/2  
D584,838 S \* 1/2009 To et al. .... D26/2  
D646,802 S 10/2011 Guohui  
D695,426 S \* 12/2013 Tu ..... D26/2  
2012/0257374 A1 10/2012 Daniel

**1 Claim, 4 Drawing Sheets**



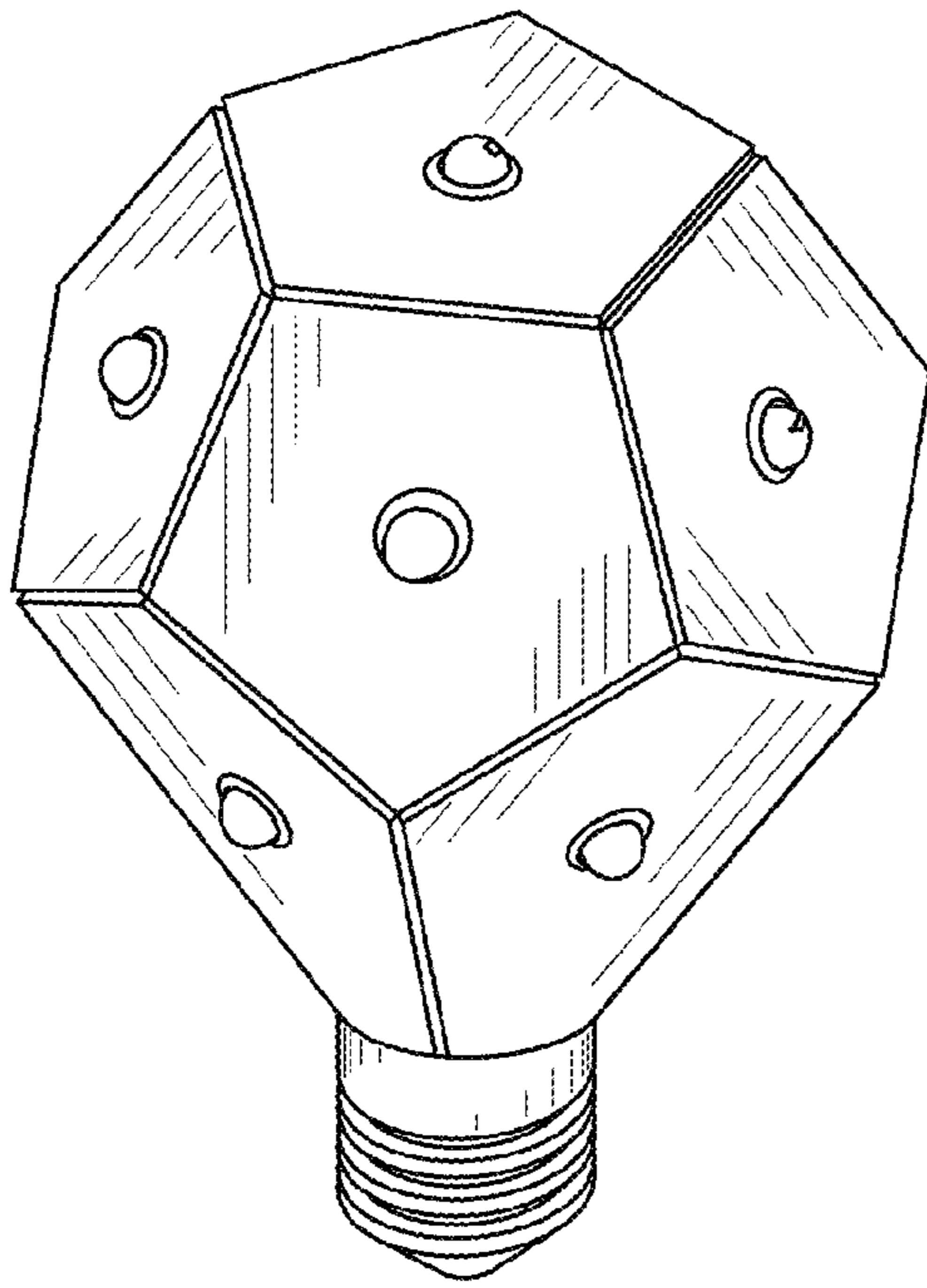


FIG. 1

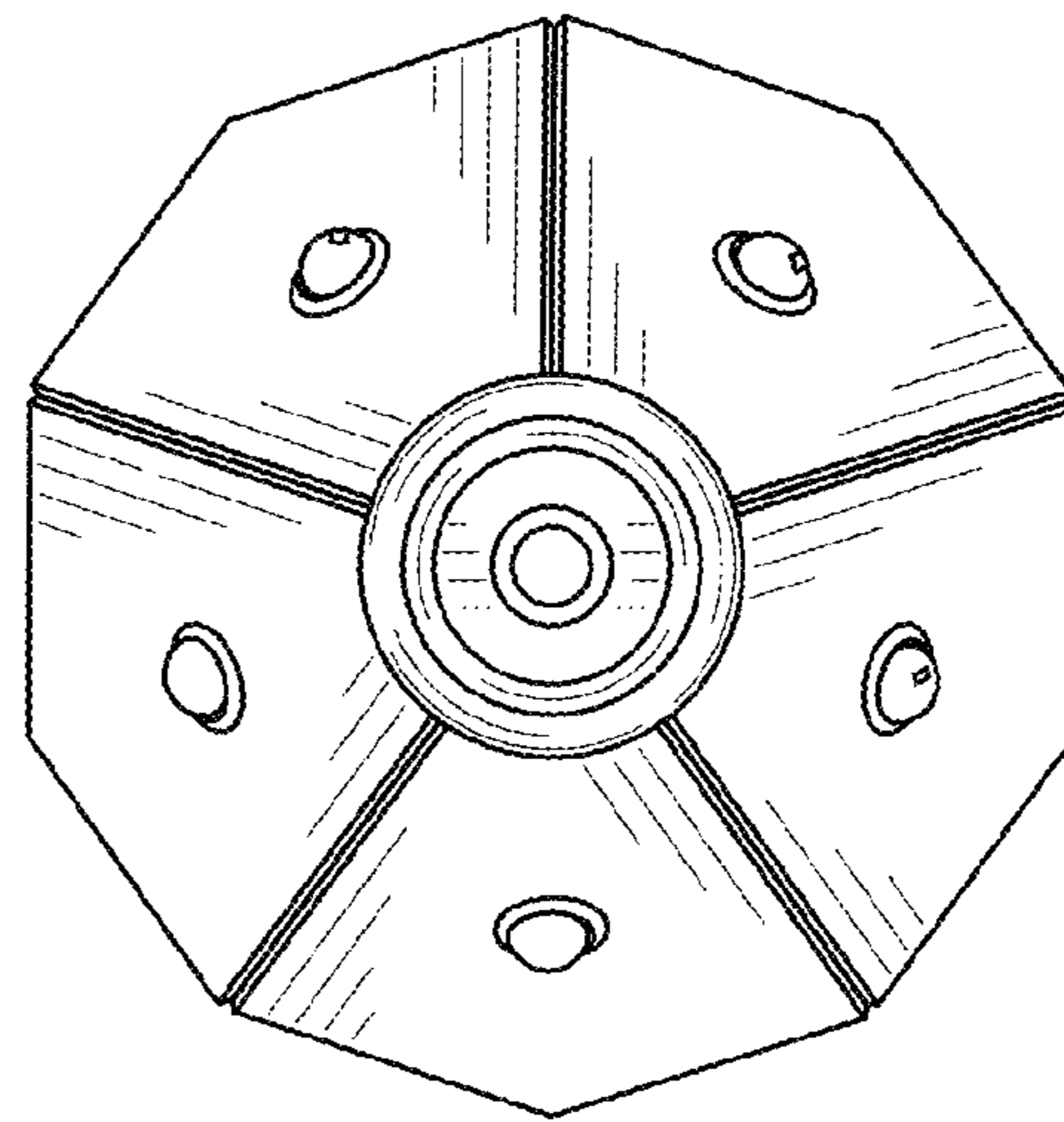


FIG. 2

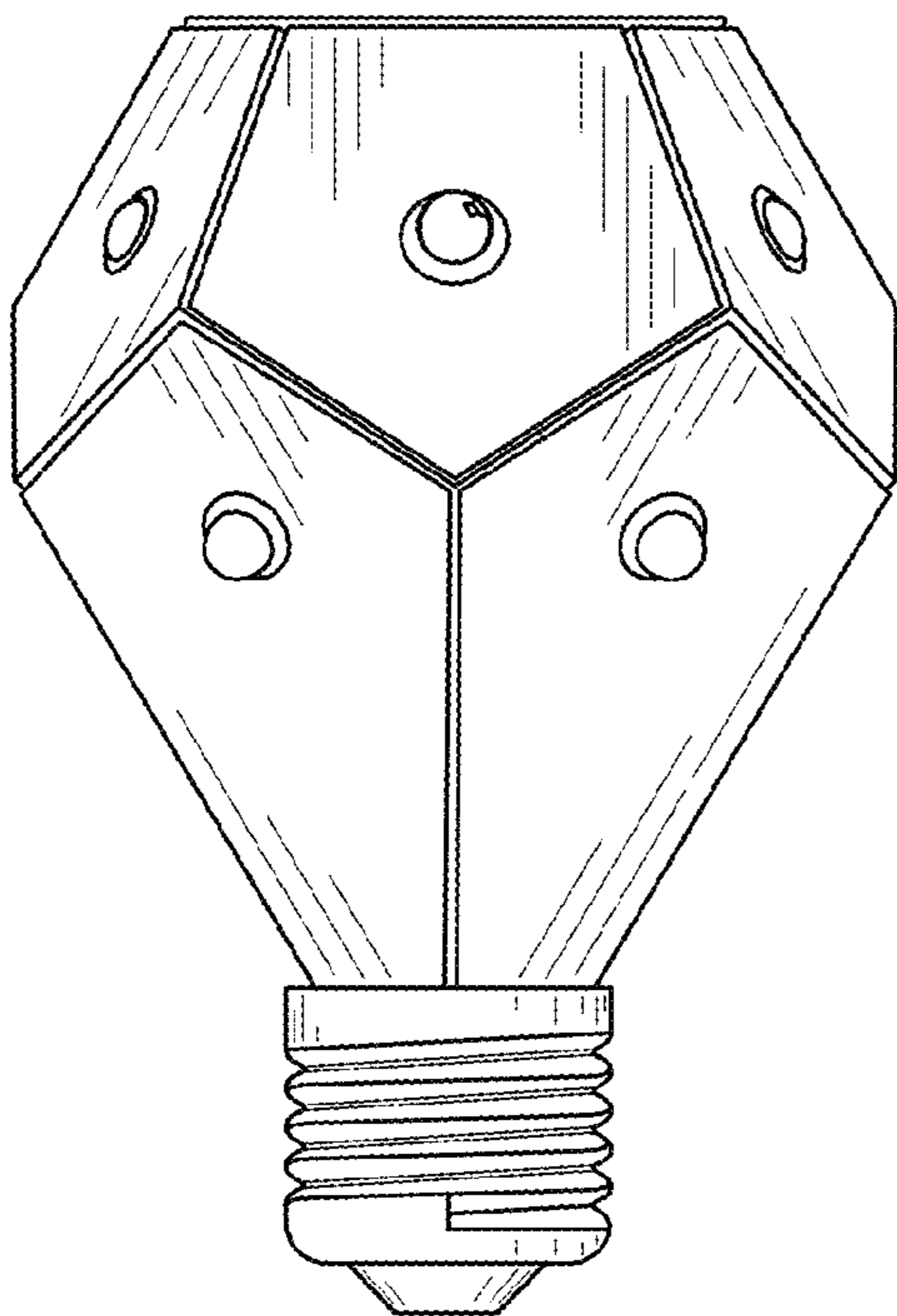


FIG. 3

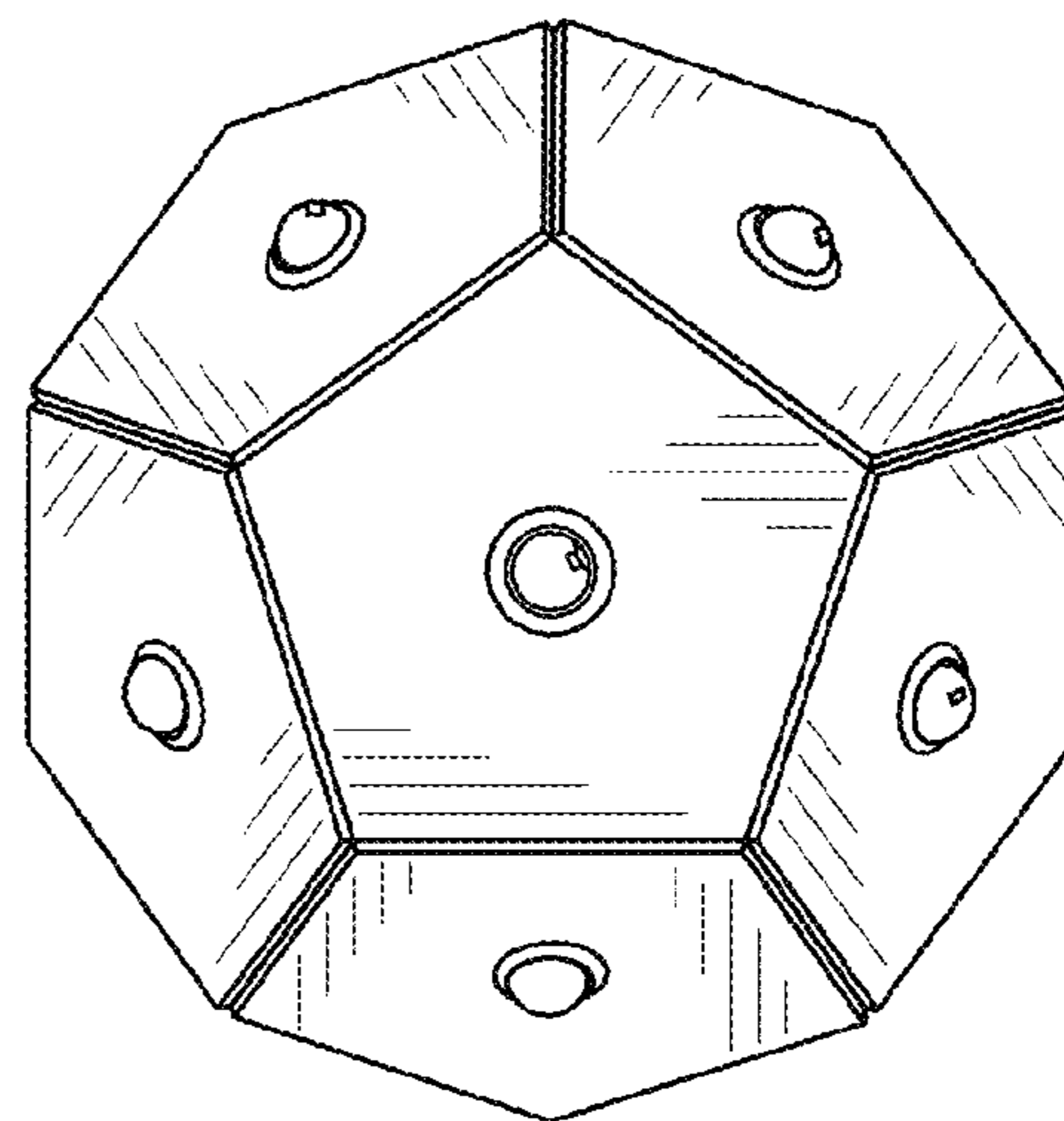


FIG. 4

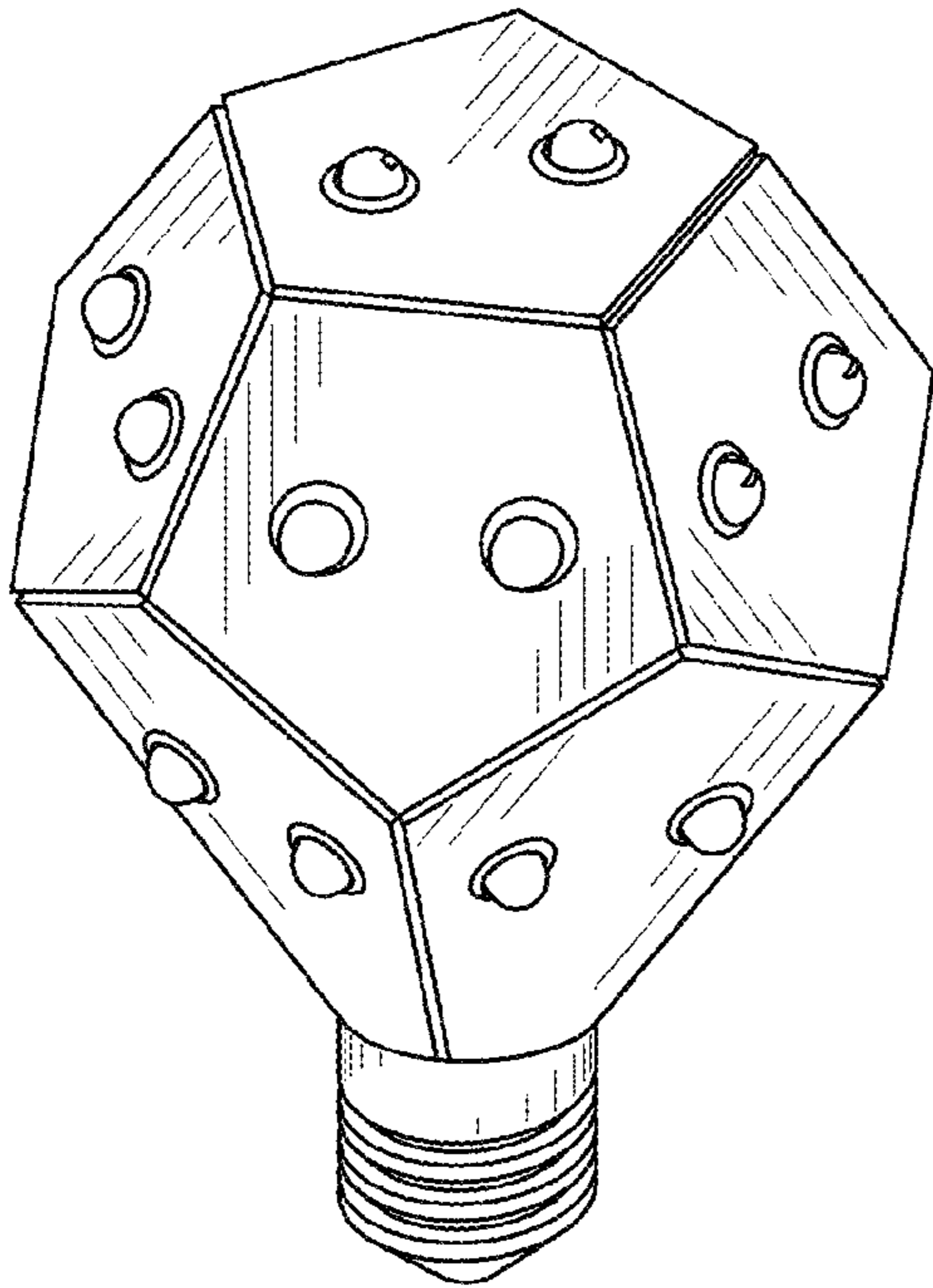


FIG. 5

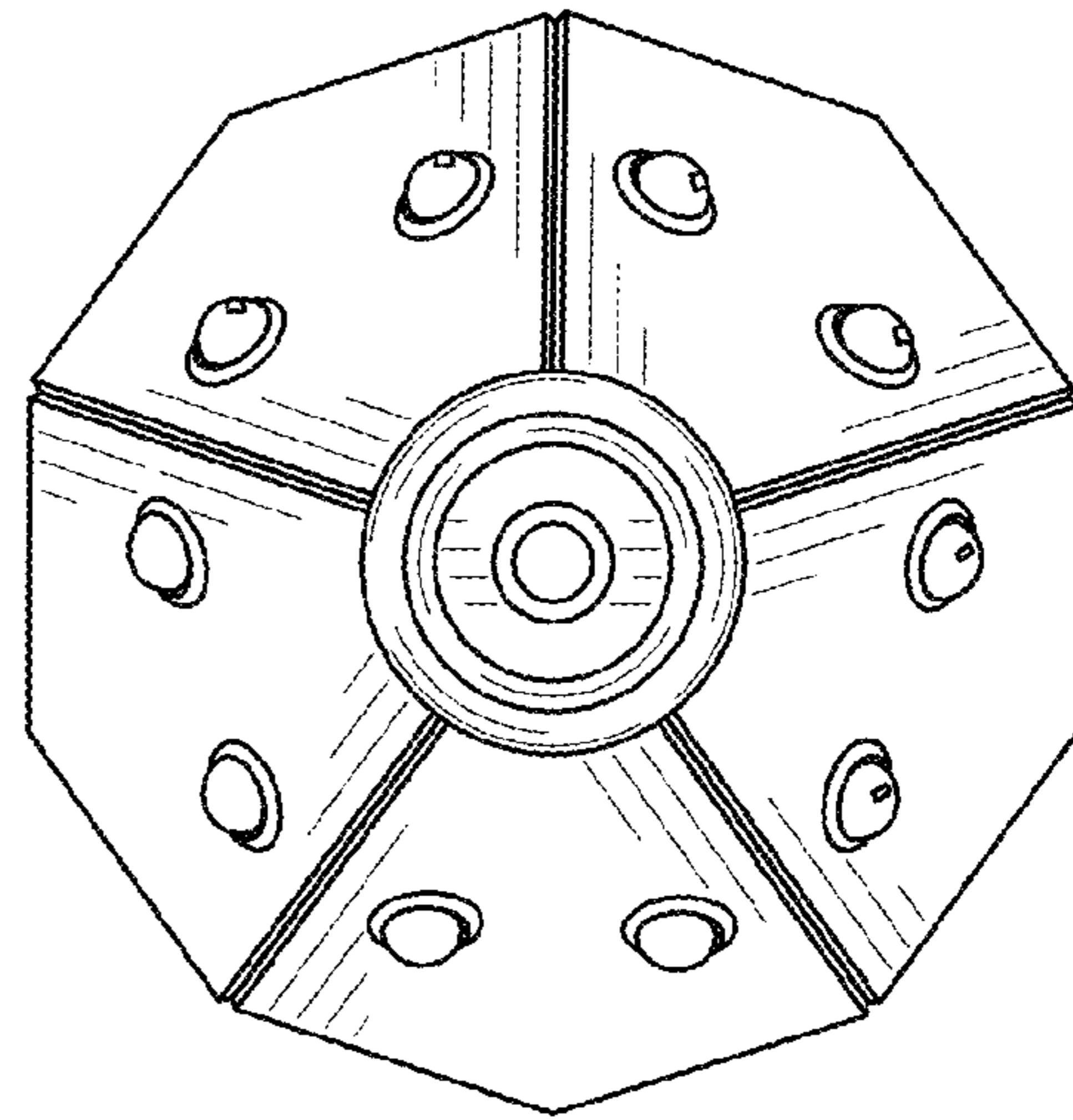


FIG. 6

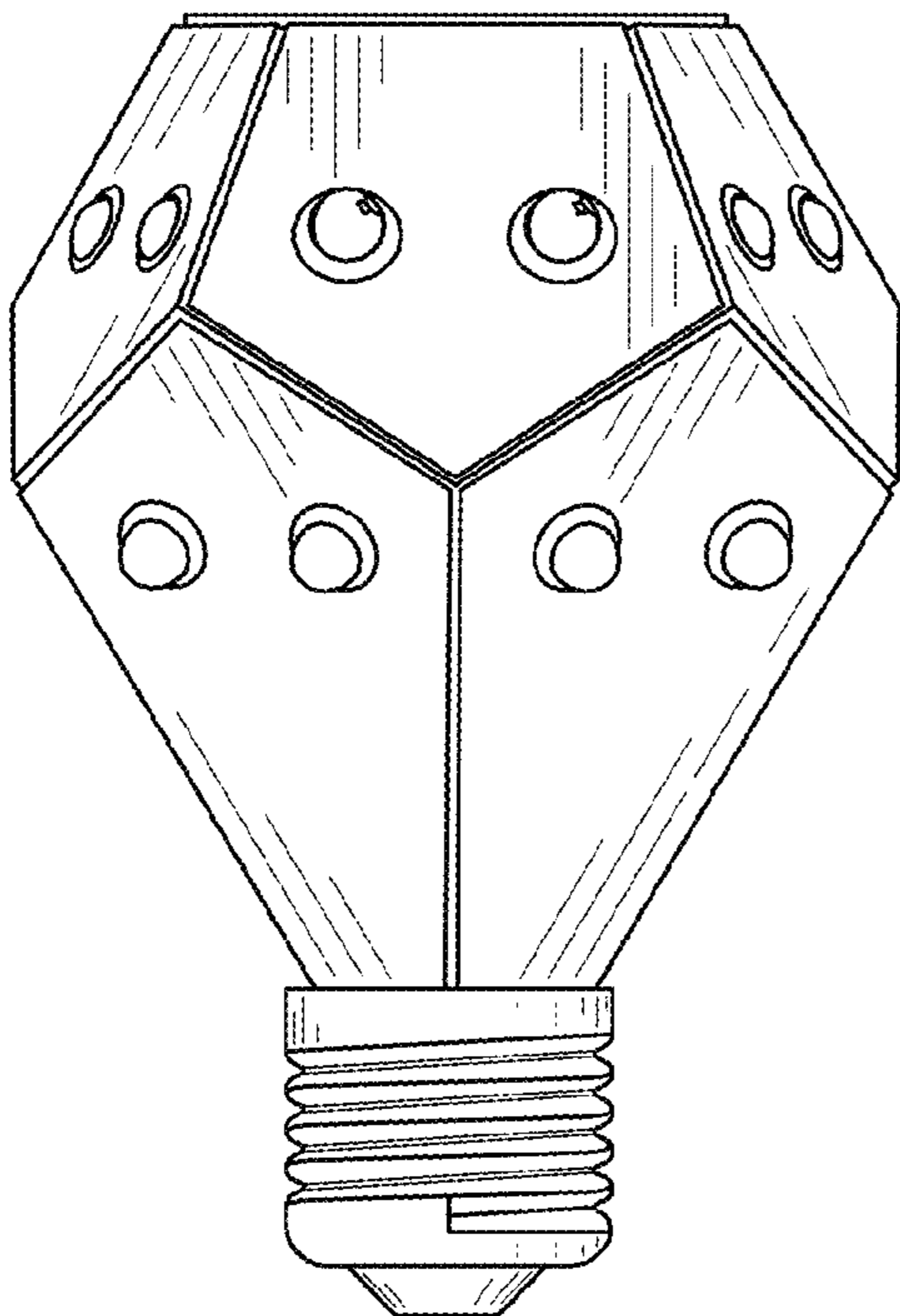


FIG. 7

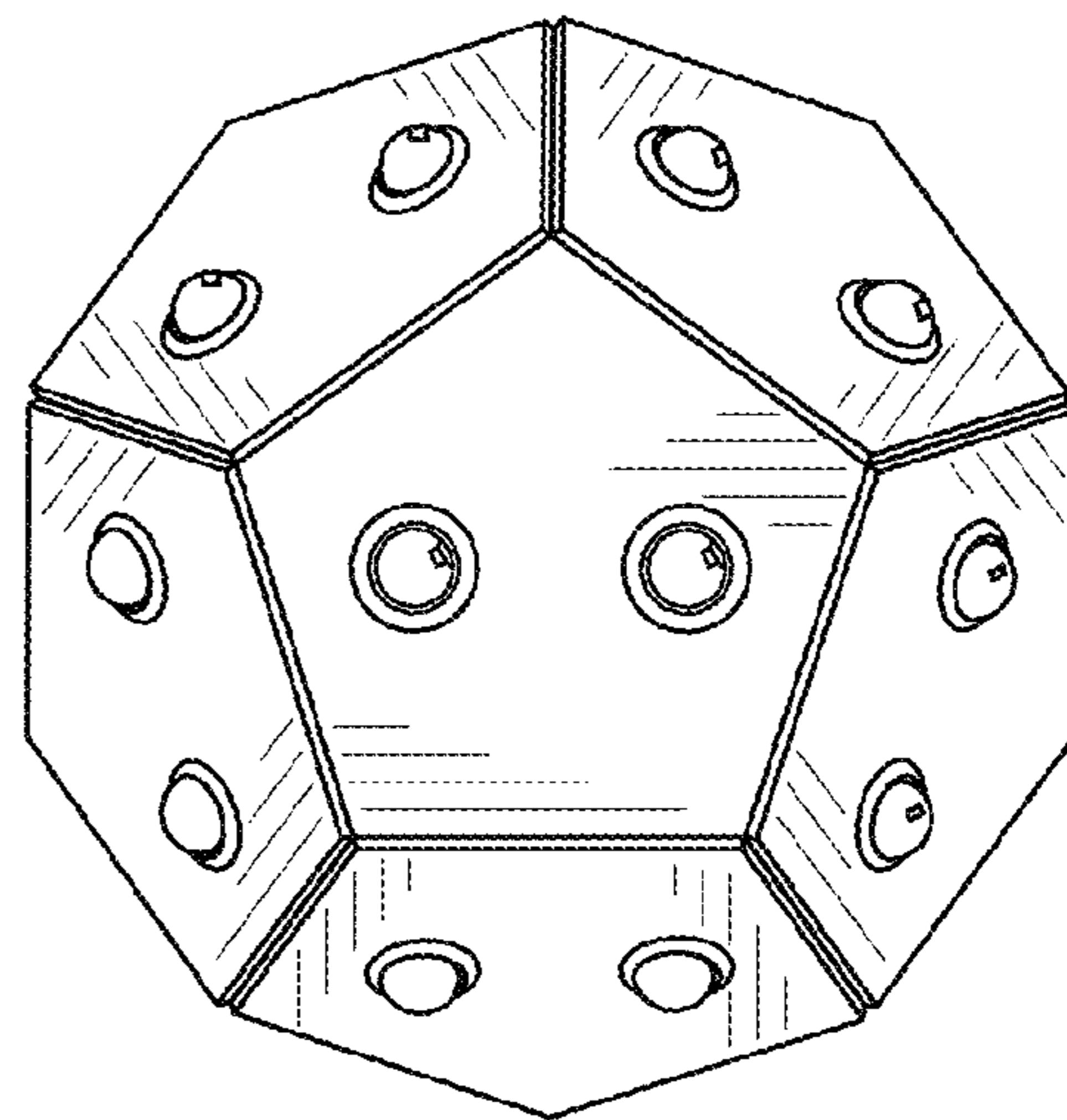


FIG. 8

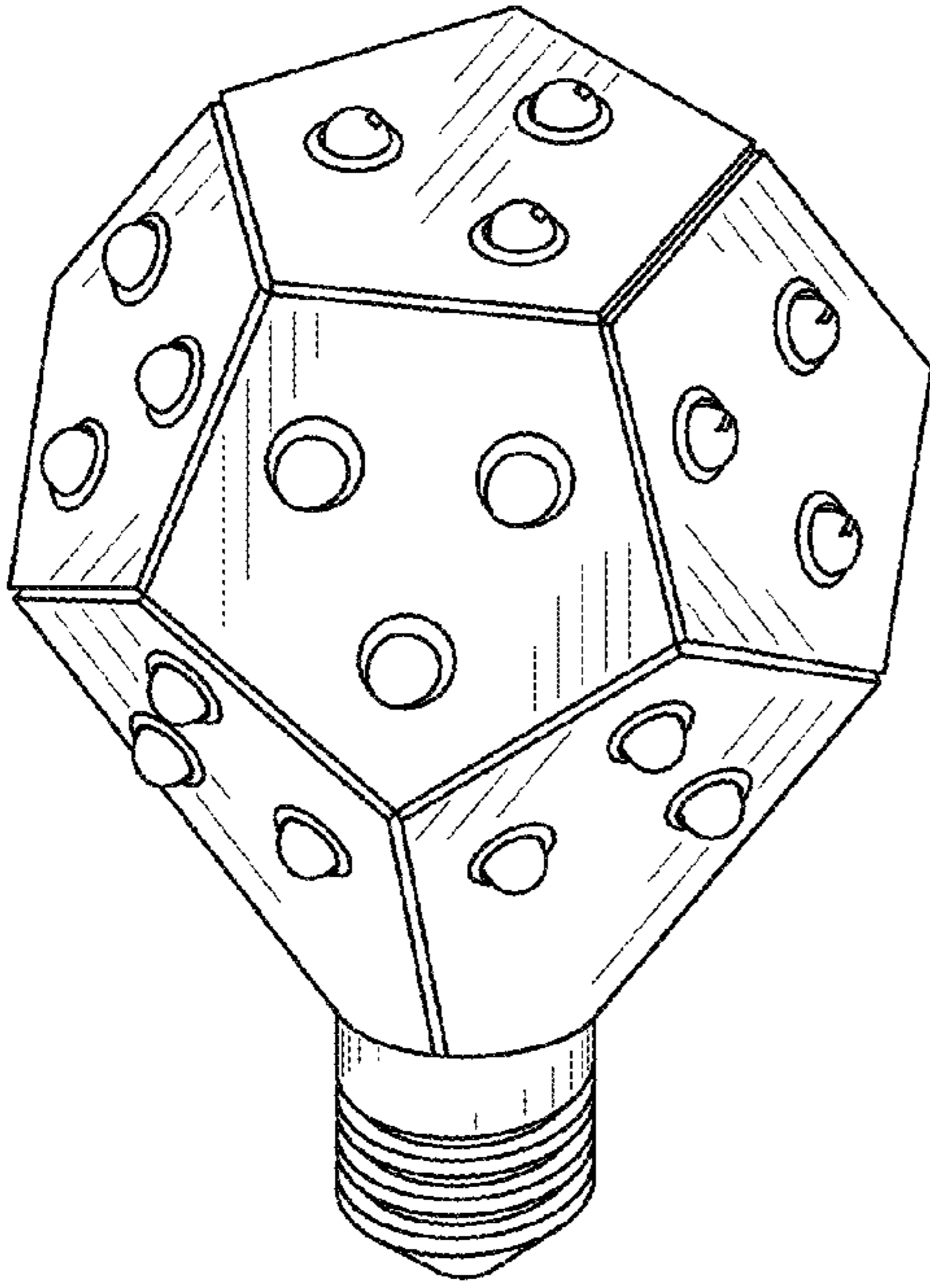


FIG. 9

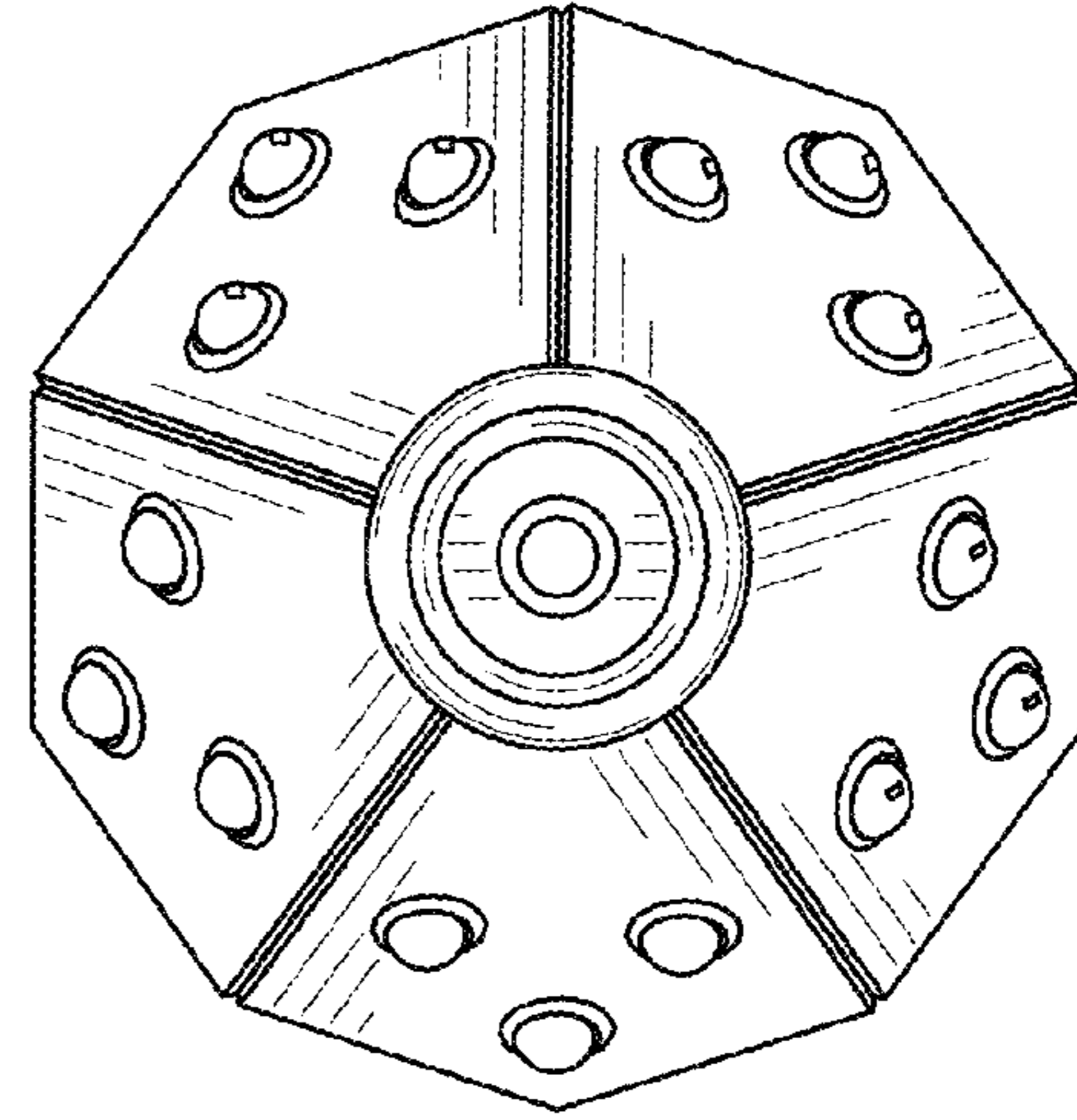


FIG. 10

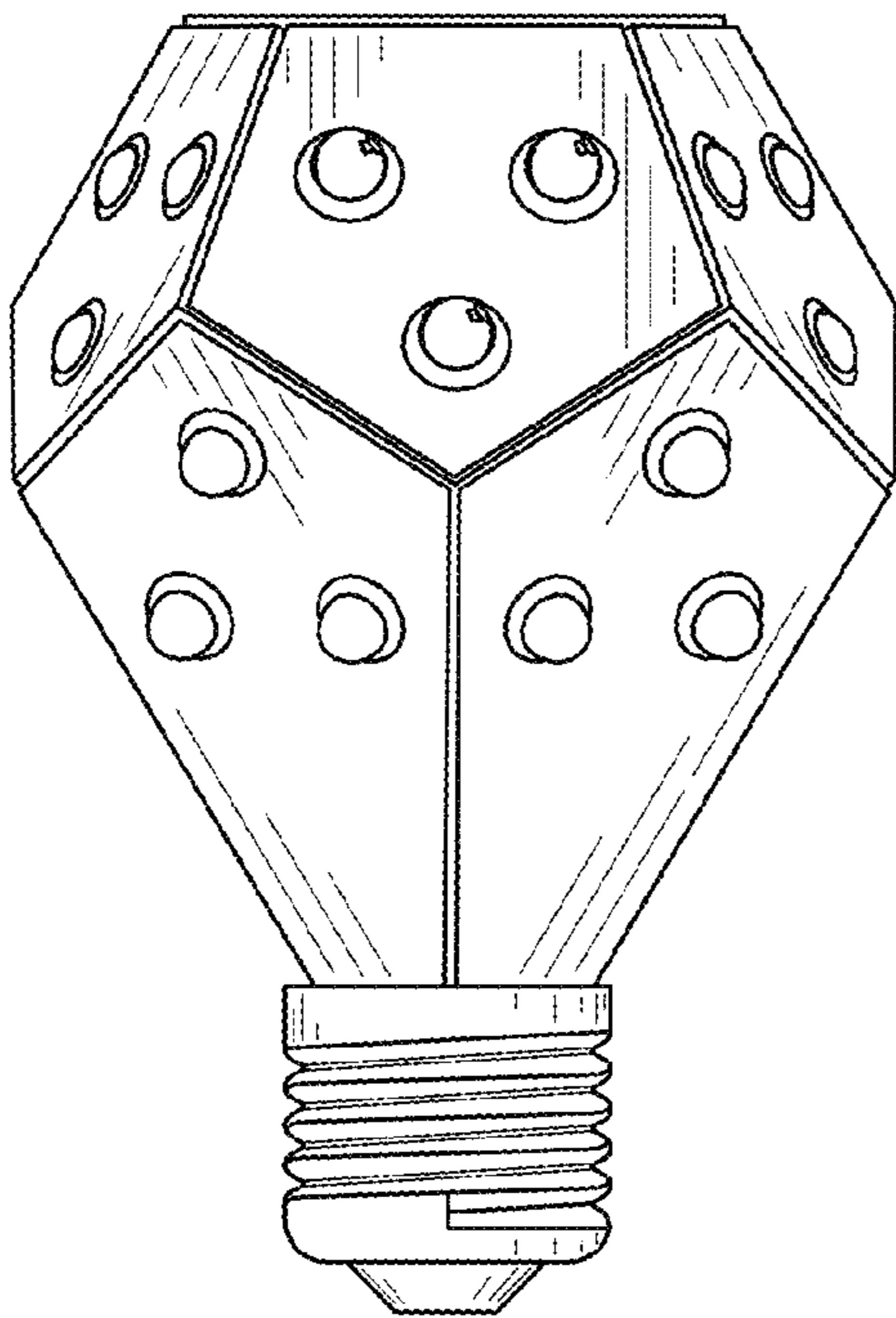


FIG. 11

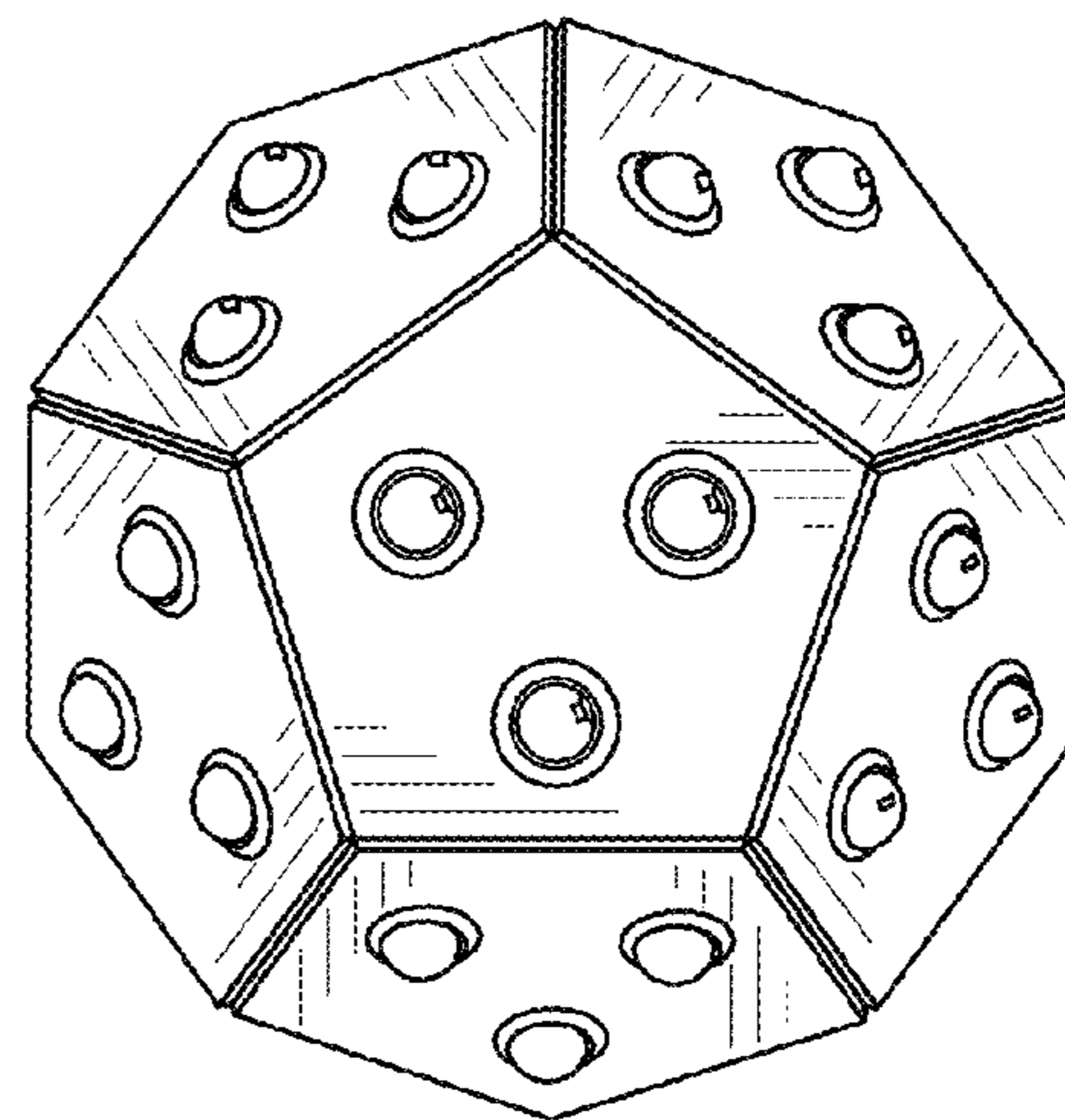


FIG. 12

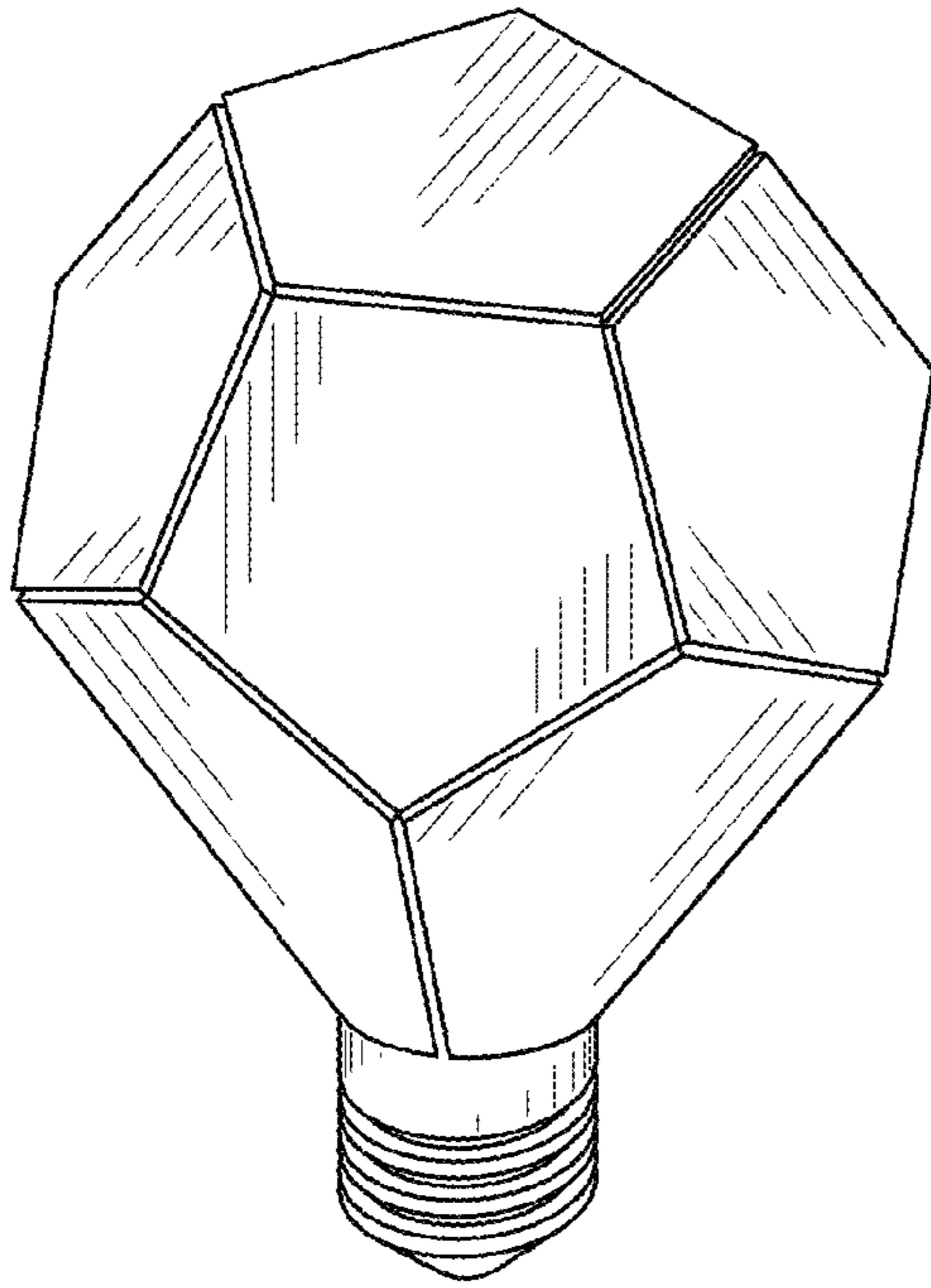


FIG. 13

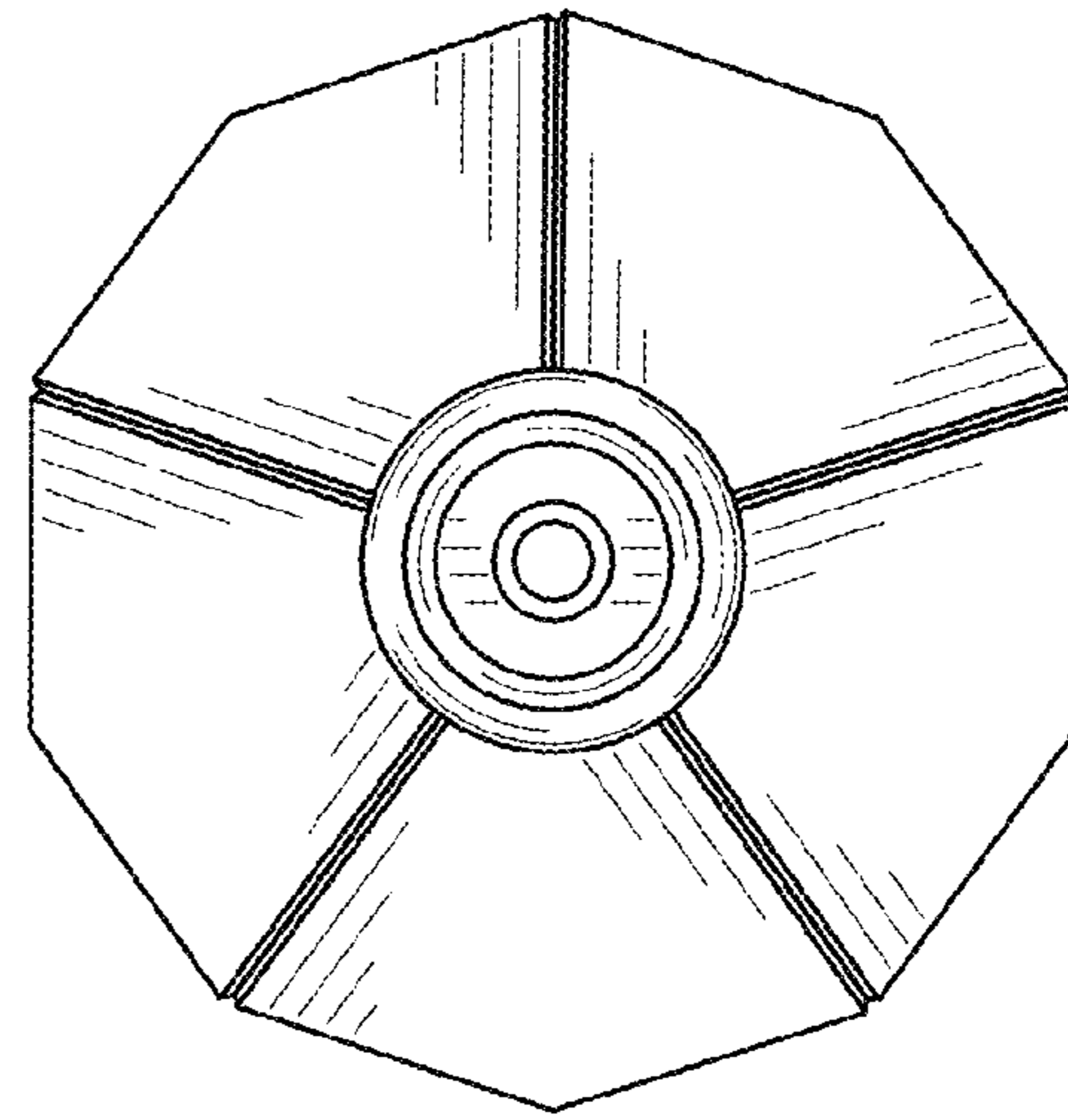


FIG. 14

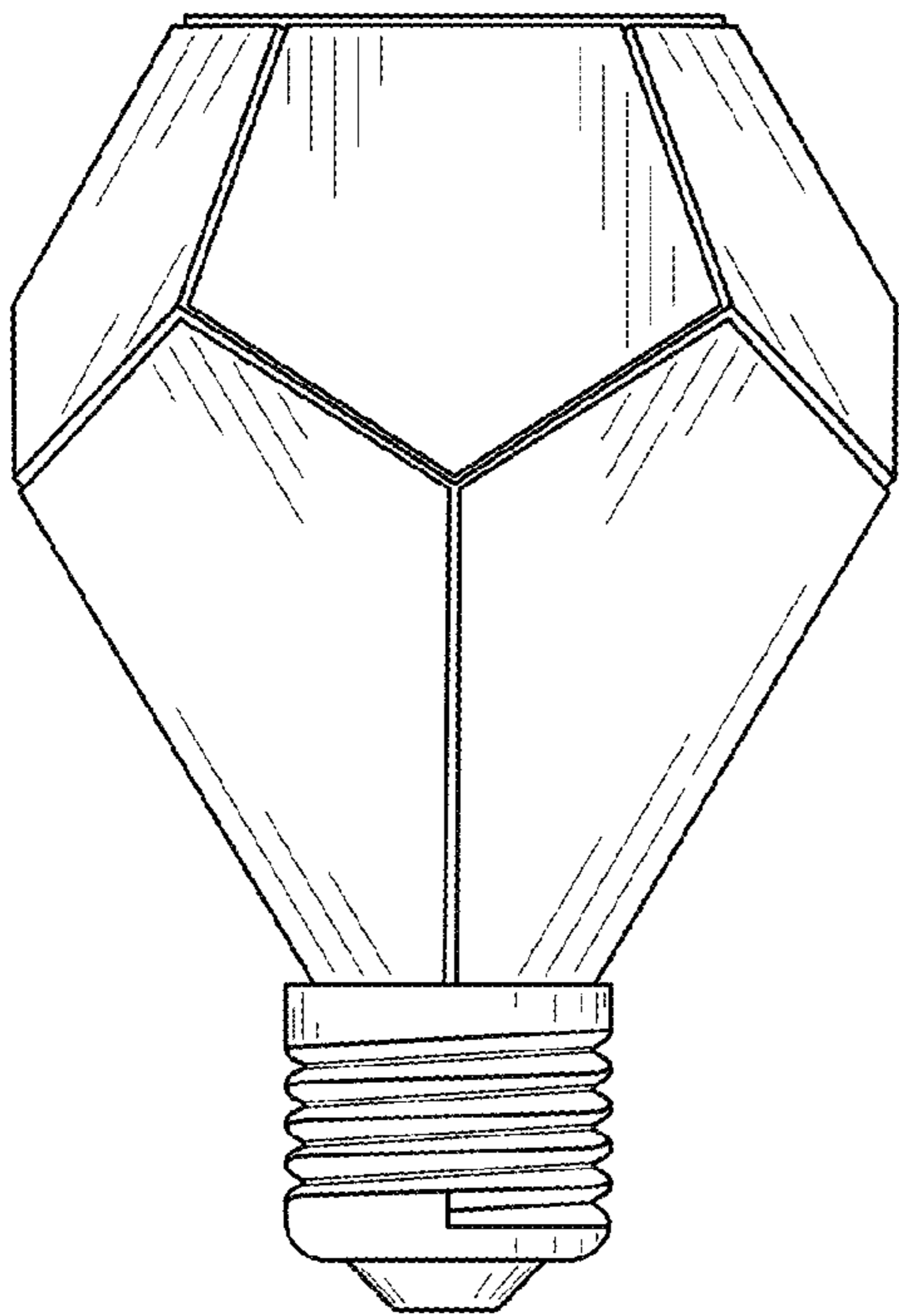


FIG. 15

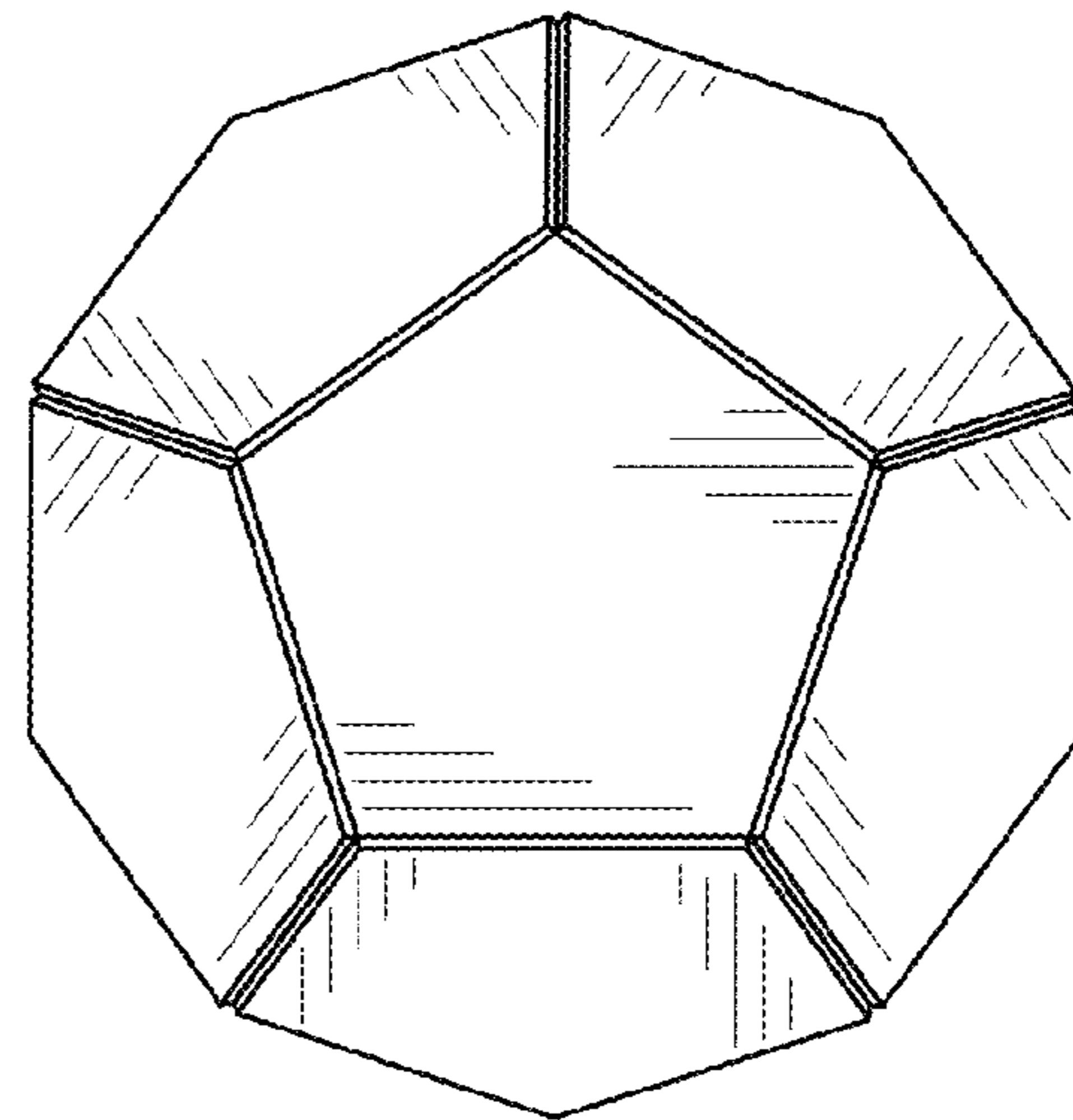


FIG. 16