



US00D740447S

(12) **United States Design Patent**
Webster

(10) **Patent No.:** **US D740,447 S**

(45) **Date of Patent:** **** Oct. 6, 2015**

(54) **CONNECTOR**

(71) Applicant: **Universal Consumer Products, Inc.,**
Grand Rapids, MI (US)

(72) Inventor: **Patrick M. Webster,** Grand Rapids, MI
(US)

(73) Assignee: **Universal Consumer Products, Inc.,**
Grand Rapids, MI (US)

(**) Term: **14 Years**

(21) Appl. No.: **29/472,157**

(22) Filed: **Nov. 8, 2013**

(51) **LOC (10) Cl.** **25-01**

(52) **U.S. Cl.**
USPC **D25/133**

(58) **Field of Classification Search**
USPC D25/38, 39, 126, 133, 199; D8/349
CPC E04B 1/38; E04F 11/18; E04F 11/00;
E04H 17/14; E04H 17/1421; E04H 17/20;
E04H 17/00; F16M 11/24
See application file for complete search history.

(56) **References Cited**

U.S. PATENT DOCUMENTS

8,149 A	6/1851	Crowell	
22,448 A	12/1858	Nuttall	
2,654,579 A	10/1953	Cremens	
2,655,345 A	10/1953	Lindman	
2,969,955 A	1/1961	Newman	
2,976,018 A	3/1961	Dellagala	
3,092,372 A	6/1963	Cogle	
4,386,761 A	6/1983	Kato	
6,059,269 A	5/2000	Ross	
D443,937 S *	6/2001	Prokop	D25/133
D486,591 S *	2/2004	Prokop	D25/133
7,082,735 B2	8/2006	Ramsey	
D544,106 S *	6/2007	Timothy	D25/133
D544,107 S *	6/2007	Timothy	D25/133
7,971,412 B1	7/2011	Lim	
D662,230 S *	6/2012	Cline	D25/199

D698,043 S *	1/2014	Fries et al.	D25/133
D700,370 S *	2/2014	Leonard	D25/199
D712,070 S *	8/2014	MacKenney	D25/133
2002/0070377 A1	6/2002	Erwin	
2004/0006946 A1*	1/2004	Hasse	52/704
2004/0177586 A1	9/2004	McLean	
2005/0205855 A1	9/2005	Chung	
2006/0022189 A1*	2/2006	Collins	256/65.14
2006/0076546 A1	4/2006	Bertato	
2006/0175592 A1	8/2006	DeRogatis et al.	
2008/0169456 A1	7/2008	Ross	
2011/0198553 A1	8/2011	Holterman	
2013/0328004 A1*	12/2013	Truckner	256/65.01
2015/0102277 A1*	4/2015	Milanowski	256/65.02
2015/0115214 A1*	4/2015	Schneider et al.	256/67

OTHER PUBLICATIONS

Deckorators Baluster Connector, dated Dec. 8, 2009, [online], [site visited May 21, 2015]. Available from Internet, <URL: <http://www.amazon.com/Deckorators-74815-Baluster-Connector-20-Pack/dp/B0030A1PNI>>.*

* cited by examiner

Primary Examiner — Thomas Johannes
Assistant Examiner — Shawn T Gingrich
(74) *Attorney, Agent, or Firm* — McGarry Bair PC

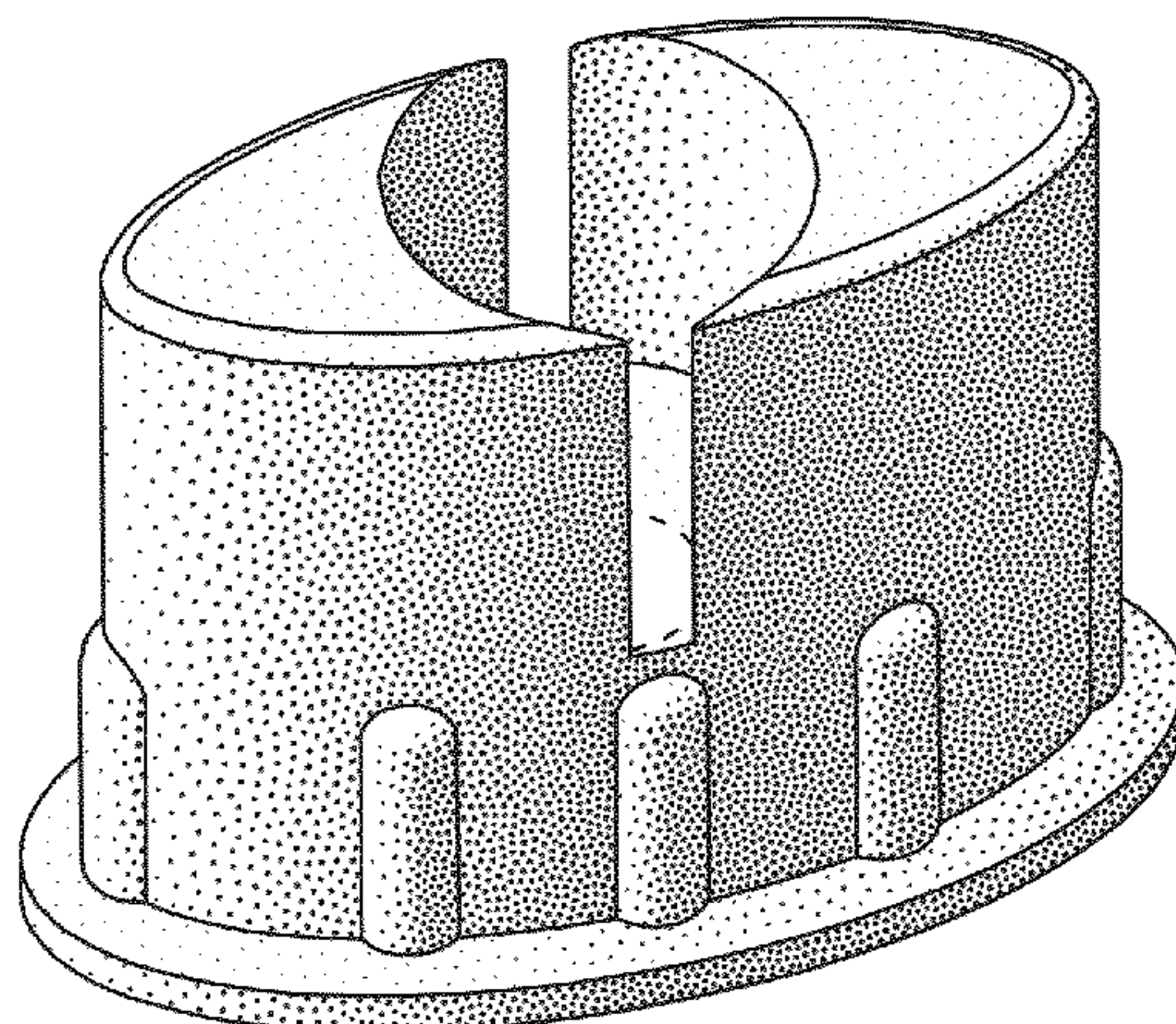
(57) **CLAIM**

The ornamental design for a connector, as shown and described.

DESCRIPTION

FIG. 1 is a perspective view of a connector showing my new design;
FIG. 2 is a front view thereof, the rear view is a mirror image;
FIG. 3 is a right side view thereof, the left side view is a mirror image;
FIG. 4 is a top view thereof; and,
FIG. 5 is a bottom view thereof.
The broken line portion of the figure drawings is included to show unclaimed subject matter only and forms no part of the claimed design.

1 Claim, 2 Drawing Sheets



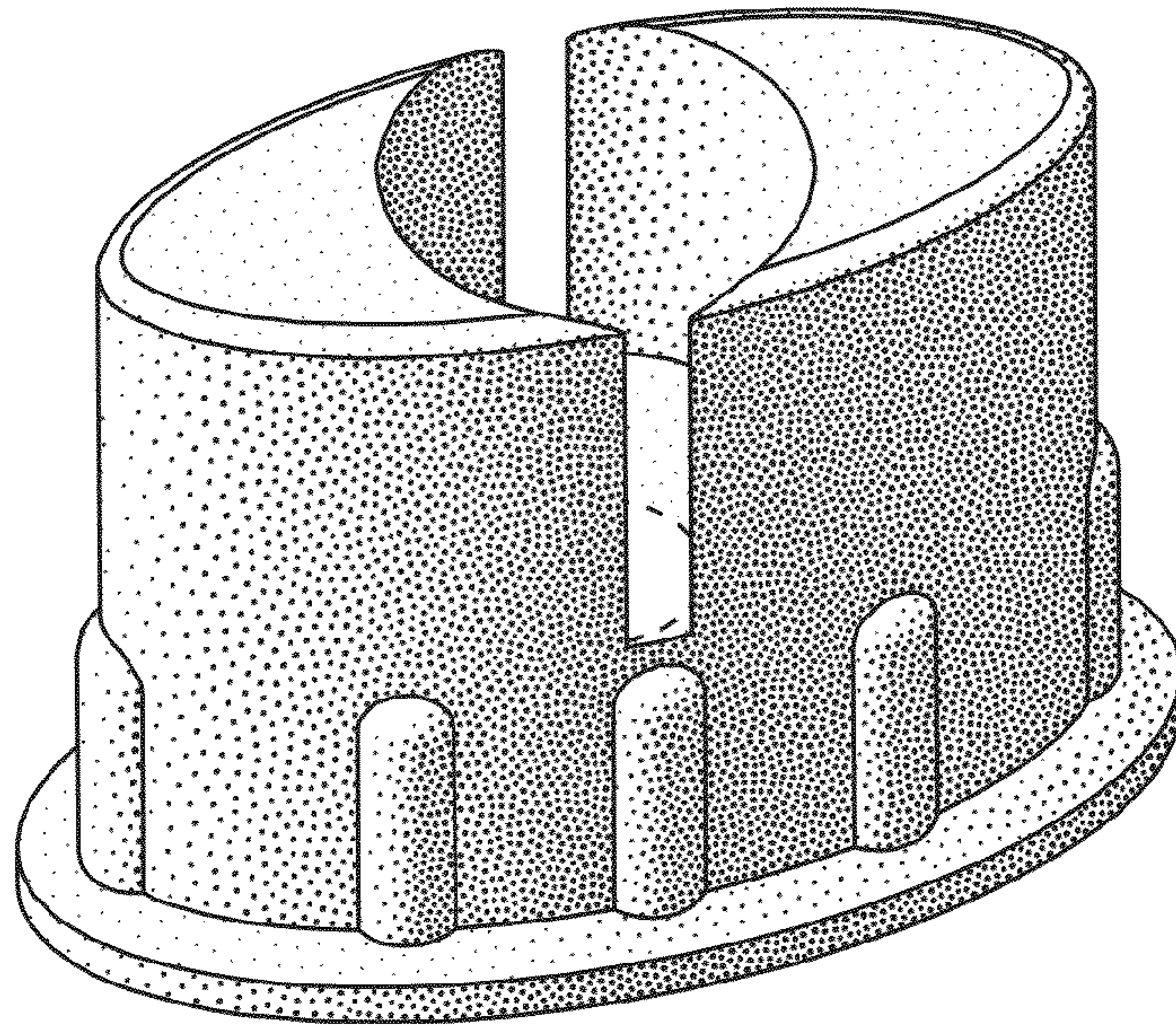


FIG. 1

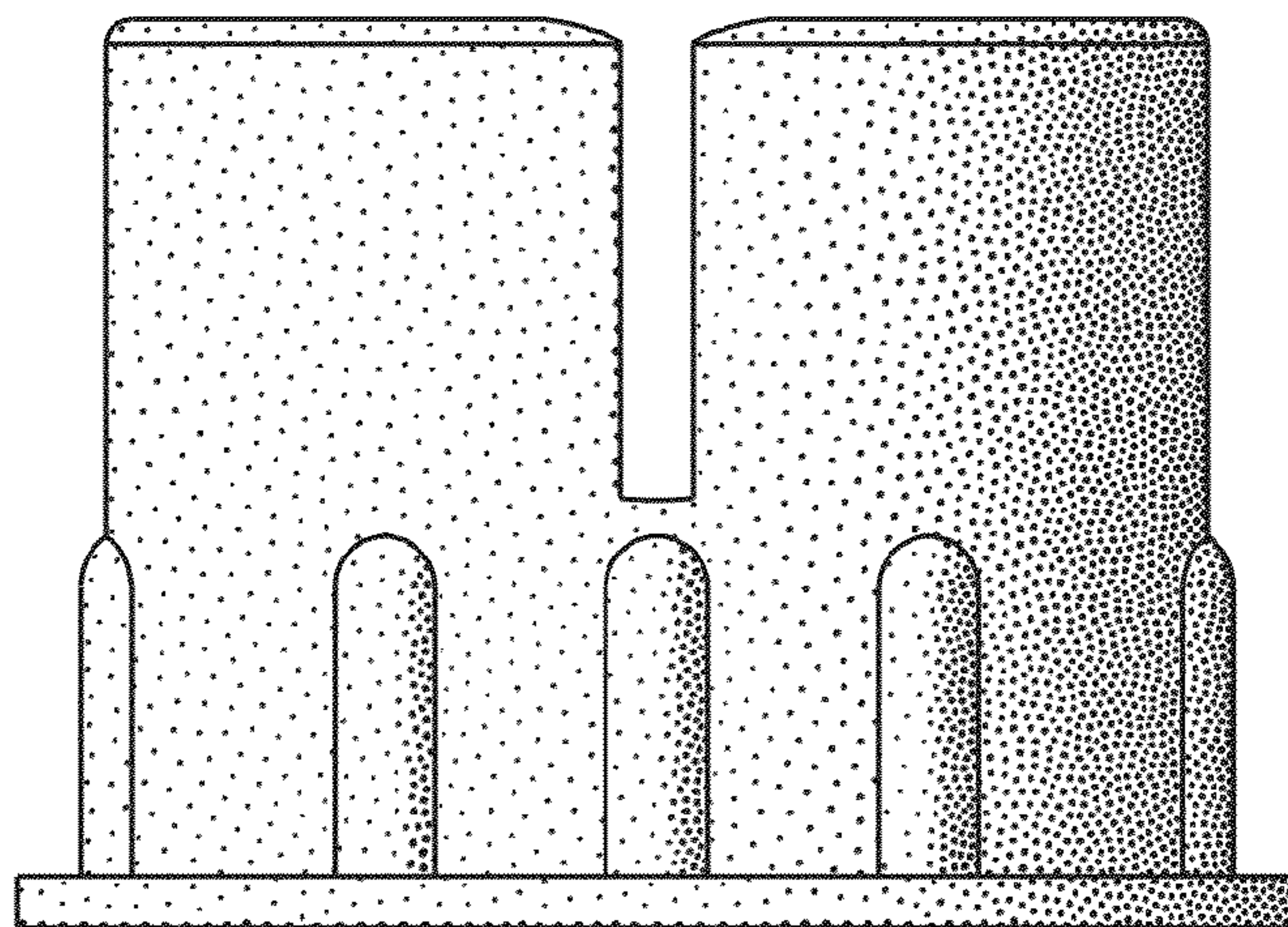


FIG. 2

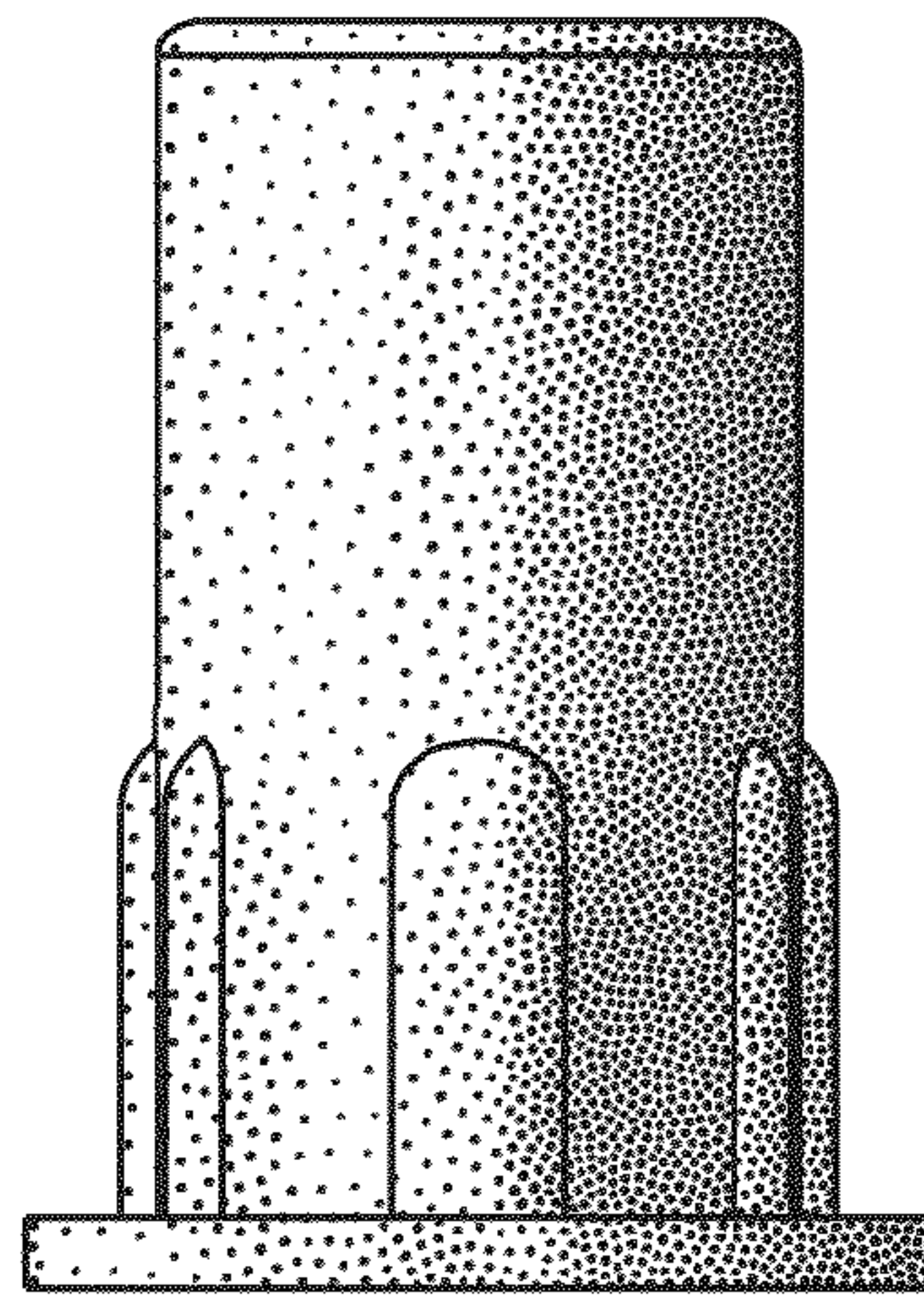


FIG. 3

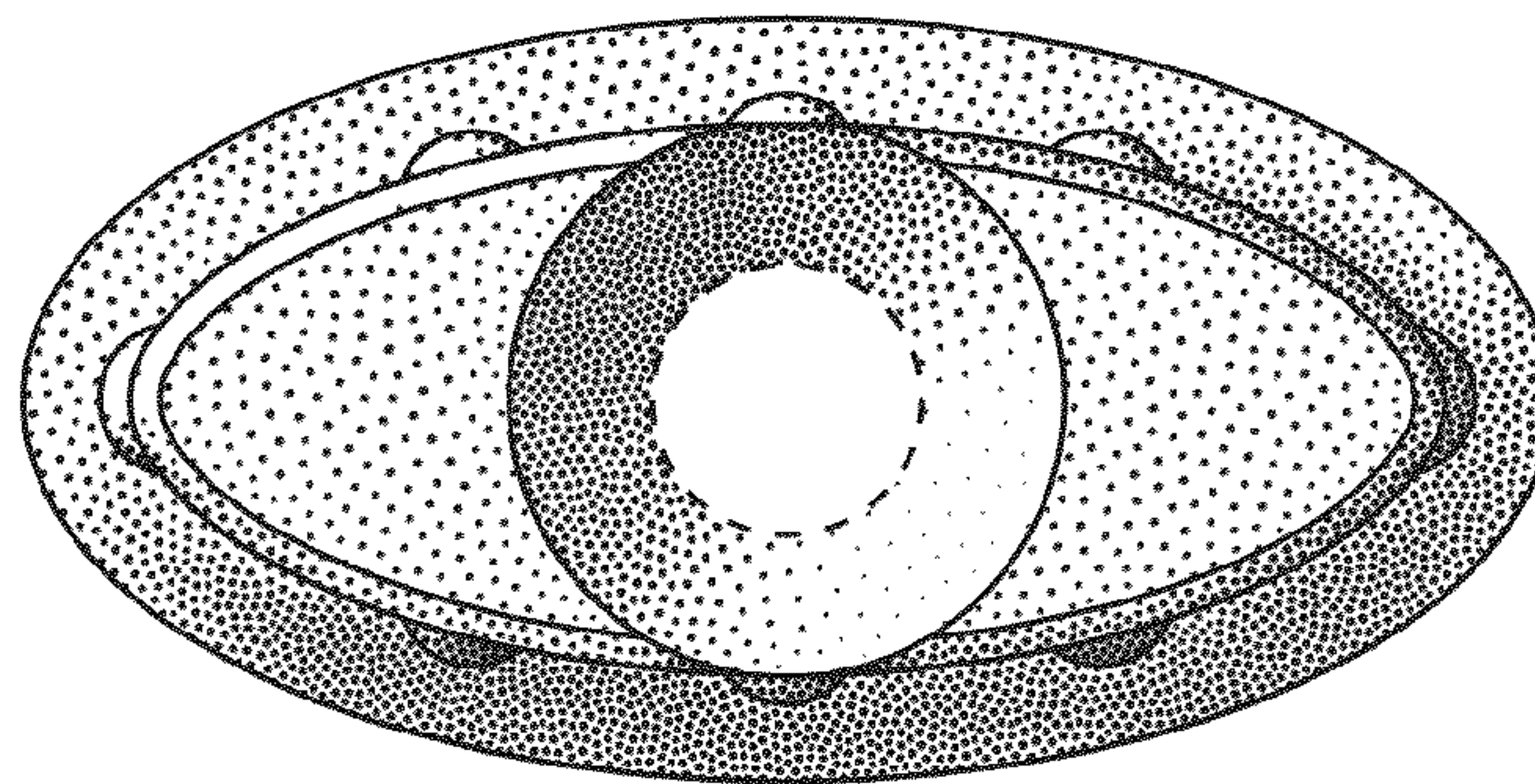


FIG. 4

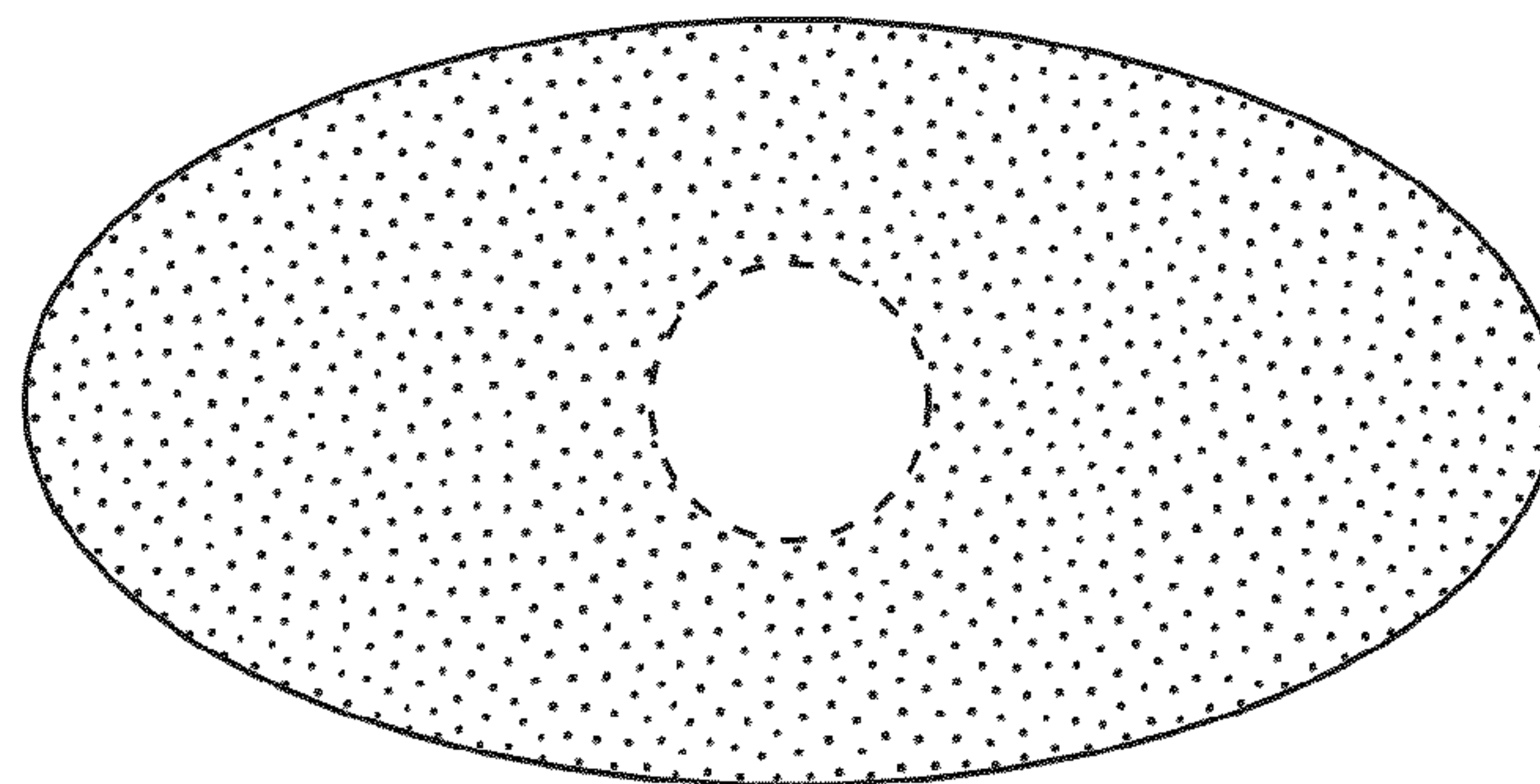


FIG. 5