



US00D740446S

(12) **United States Design Patent**  
**Chaney et al.**

(10) **Patent No.:** **US D740,446 S**

(45) **Date of Patent:** **\*\* Oct. 6, 2015**

(54) **WINDOW COMPONENT EXTRUSION**

(56) **References Cited**

(71) Applicant: **Deceuninck North America, LLC**,  
Monroe, OH (US)

U.S. PATENT DOCUMENTS

(72) Inventors: **Michael T. Chaney**, Middletown, OH  
(US); **Jonathan C. Hauberg**,  
Centerville, OH (US); **Philip G.**  
**Morton**, Germantown, OH (US)

|           |      |         |               |          |
|-----------|------|---------|---------------|----------|
| 5,090,168 | A *  | 2/1992  | Fast et al.   | 52/213   |
| 6,006,478 | A *  | 12/1999 | Hubner et al. | 52/204.5 |
| 6,327,826 | B1 * | 12/2001 | Mann          | 52/204.1 |
| D576,301  | S *  | 9/2008  | Morton et al. | D25/124  |
| D679,386  | S *  | 4/2013  | Morton        | D25/124  |

(73) Assignee: **Deceuninck North America, LLC**,  
Monroe, OH (US)

FOREIGN PATENT DOCUMENTS

(\*\*) Term: **14 Years**

WO WO 2012019748 A1 \* 2/2012

(21) Appl. No.: **29/481,586**

\* cited by examiner

(22) Filed: **Feb. 7, 2014**

*Primary Examiner* — Doris Clark

(51) **LOC (10) Cl.** ..... **25-01**

(74) *Attorney, Agent, or Firm* — Jacox, Meckstroth &  
Jenkins

(52) **U.S. Cl.**

USPC ..... **D25/124**

(57) **CLAIM**

The ornamental design of a window component extrusion, as  
shown and described.

(58) **Field of Classification Search**

USPC ..... D25/124; 52/204.1, 204.2, 204.5,  
52/204.51, 656.5, 656.6, 213, 215, 208,  
52/656.2, 656.7, 800.13, 717.01;  
49/DIG. 2, 504

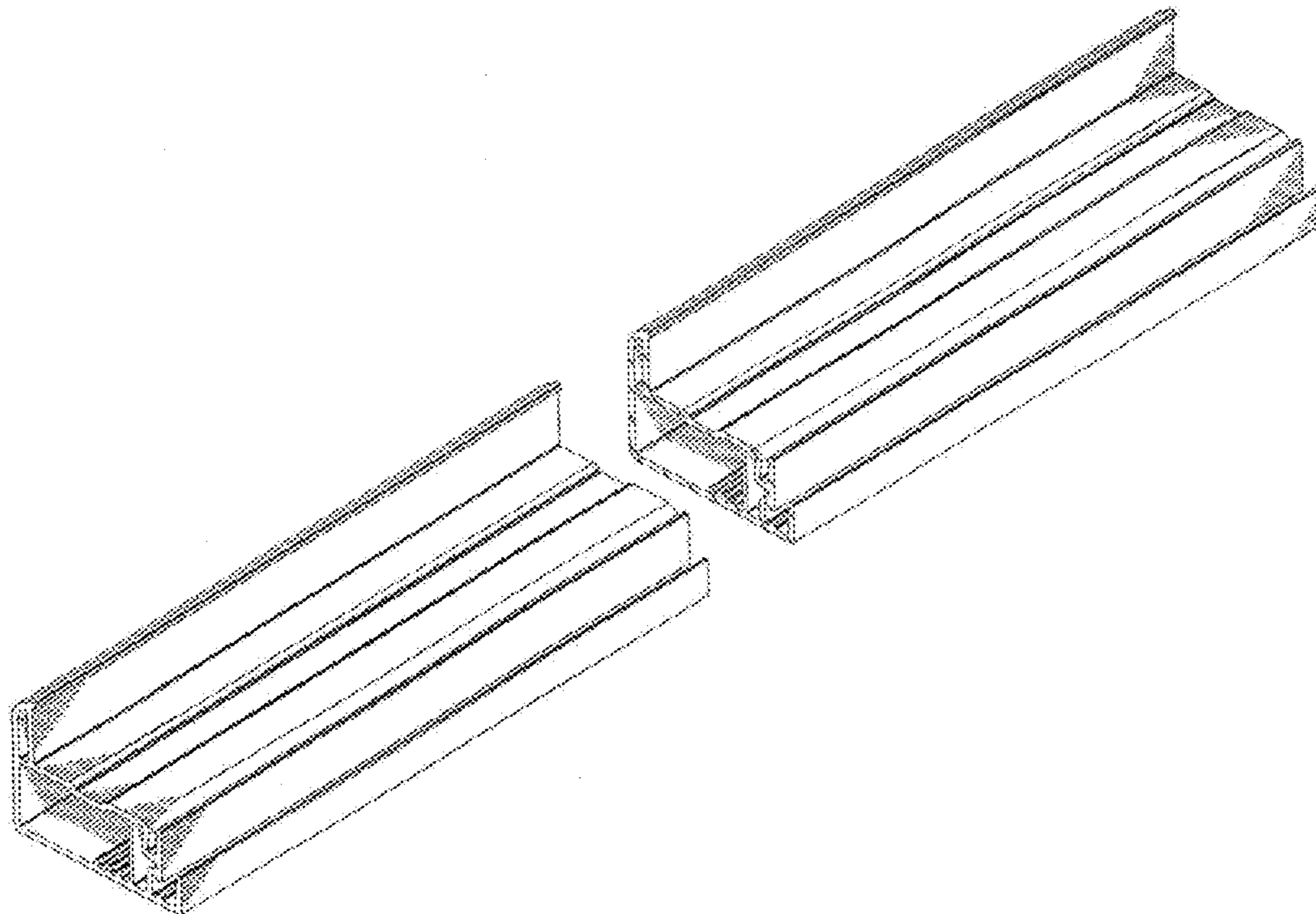
CPC ..... E06B 3/00; E06B 3/16; E06B 3/20;  
E06B 3/22; E06B 3/205

See application file for complete search history.

**DESCRIPTION**

FIG. 1 is a perspective view of a window component extrusion, showing our new design, with a middle portion broken away to disclose indefinite length; and, FIG. 2 is an end view.

**1 Claim, 1 Drawing Sheet**



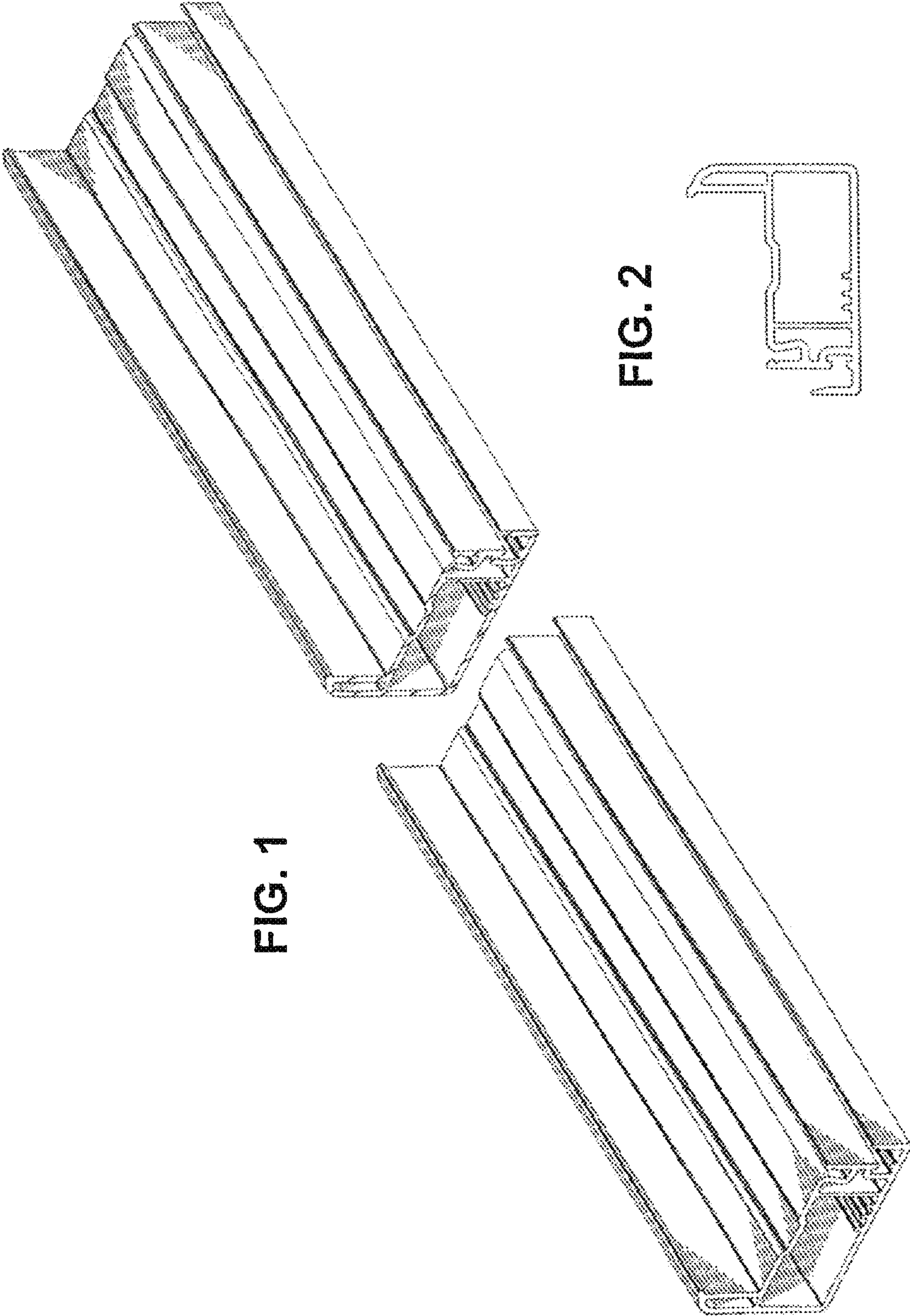


FIG. 1

FIG. 2