



US00D740443S

(12) **United States Design Patent**
Thornton

(10) **Patent No.:** **US D740,443 S**

(45) **Date of Patent:** **** Oct. 6, 2015**

(54) **STRUCTURAL MEMBER**

(76) Inventor: **Patrick Thornton**, Oak Flats (AU)

(**) Term: **14 Years**

(21) Appl. No.: **29/408,052**

(22) Filed: **Dec. 6, 2011**

(30) **Foreign Application Priority Data**

Jun. 6, 2011 (AU) 12537/2011

(51) **LOC (10) Cl.** **25-01**

(52) **U.S. Cl.**
USPC **D25/102**

(58) **Field of Classification Search**
USPC D25/102, 138, 38, 164, 119; D8/1;
52/233, 285.34; 446/106
See application file for complete search history.

(56) **References Cited**

U.S. PATENT DOCUMENTS

D660,458 S *	5/2012	Thornton	D25/102
D673,692 S *	1/2013	Thornton	D25/102
D676,150 S *	2/2013	Thornton	D25/102
8,695,295 B2 *	4/2014	Thornton et al.	52/233
2011/0016824 A1 *	1/2011	Thornton et al.	52/854
2011/0283639 A1 *	11/2011	Thornton et al.	52/233

* cited by examiner

Primary Examiner — T. Chase Nelson

Assistant Examiner — Ania Aman

(74) *Attorney, Agent, or Firm* — Dowell & Dowell, PC

(57) **CLAIM**

The ornamental design for a structural member, as shown and described.

DESCRIPTION

FIG. 1 is a front right top perspective view of a structural member showing my new design;

FIG. 2 is a front left top perspective view thereof;

FIG. 3 is a rear left top perspective view thereof;

FIG. 4 is a rear right top perspective view thereof;

FIG. 5 is a front left bottom perspective view thereof;

FIG. 6 is a front right bottom perspective view thereof;

FIG. 7 is a rear right bottom perspective view thereof;

FIG. 8 is a rear left bottom perspective view thereof;

FIG. 9 is a left side view thereof;

FIG. 10 is a right side view thereof;

FIG. 11 is a top view thereof;

FIG. 12 is a bottom view thereof;

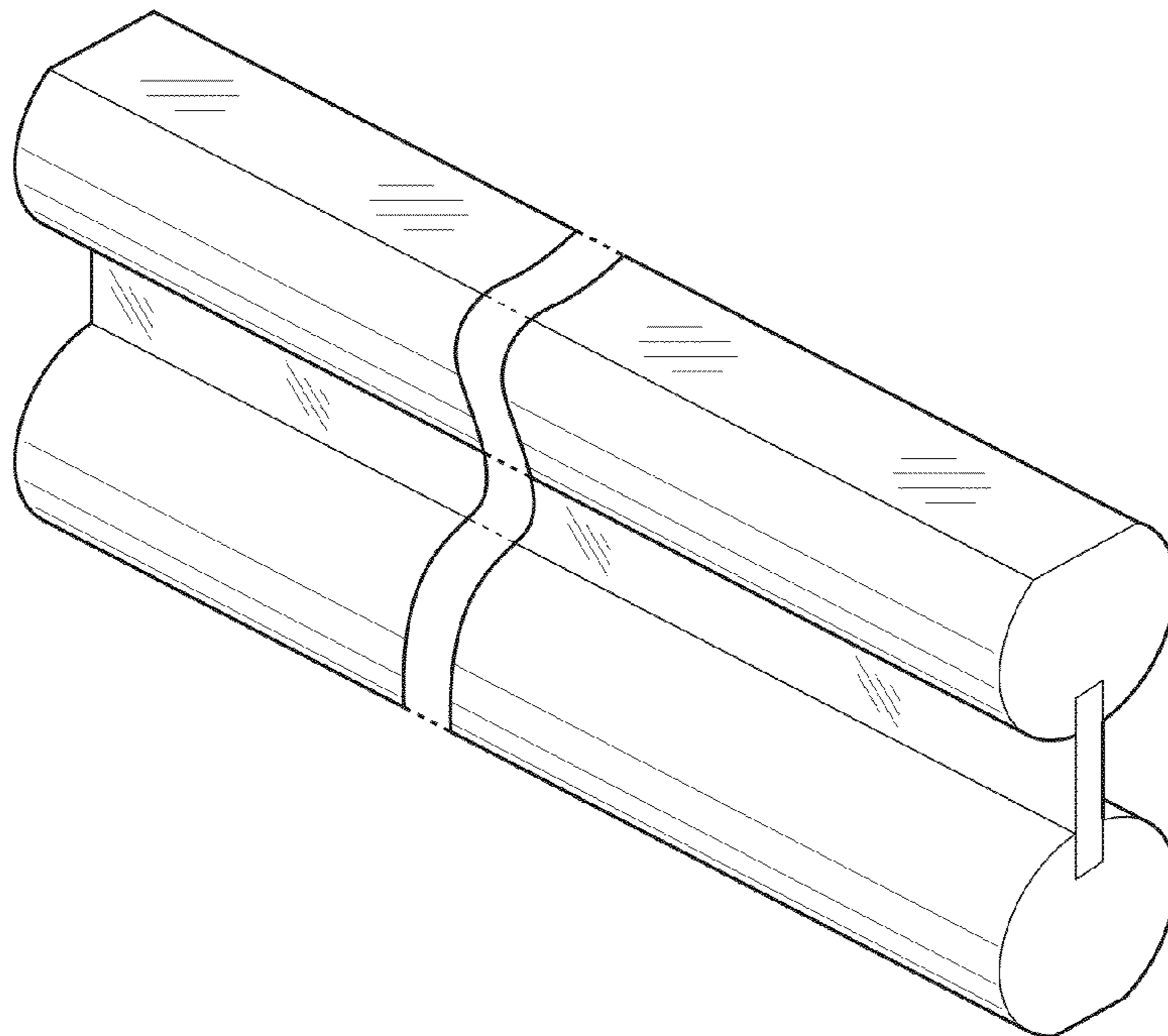
FIG. 13 is a front view thereof;

FIG. 14 is a rear view thereof; and,

FIG. 15 is a cross-sectional view thereof taken along line 15-15 of the top view depicted in FIG. 11.

The broken away symbols in the drawings indicate that any portion of the structural member beyond what is shown forms no part of the claimed design.

1 Claim, 6 Drawing Sheets



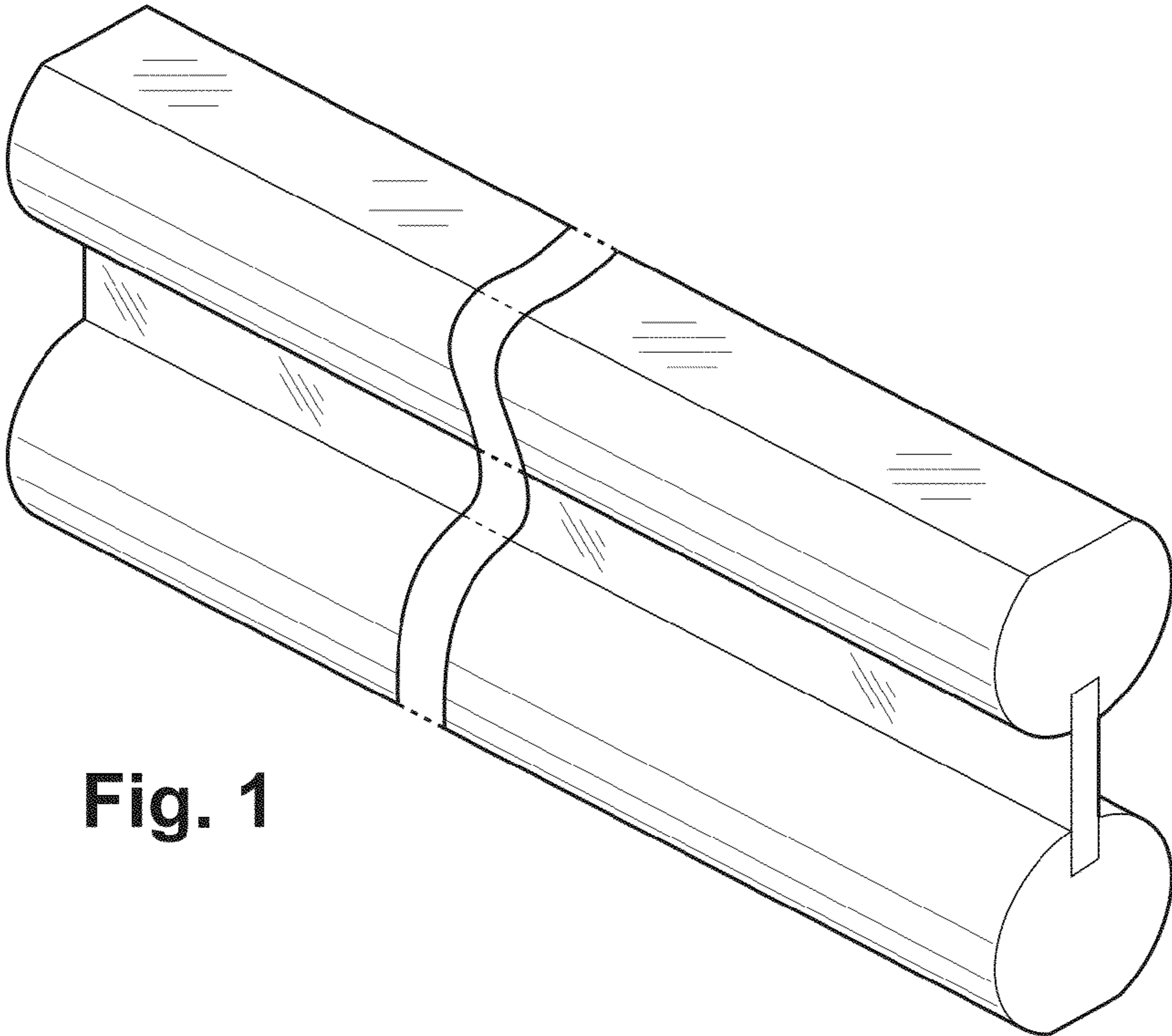


Fig. 1

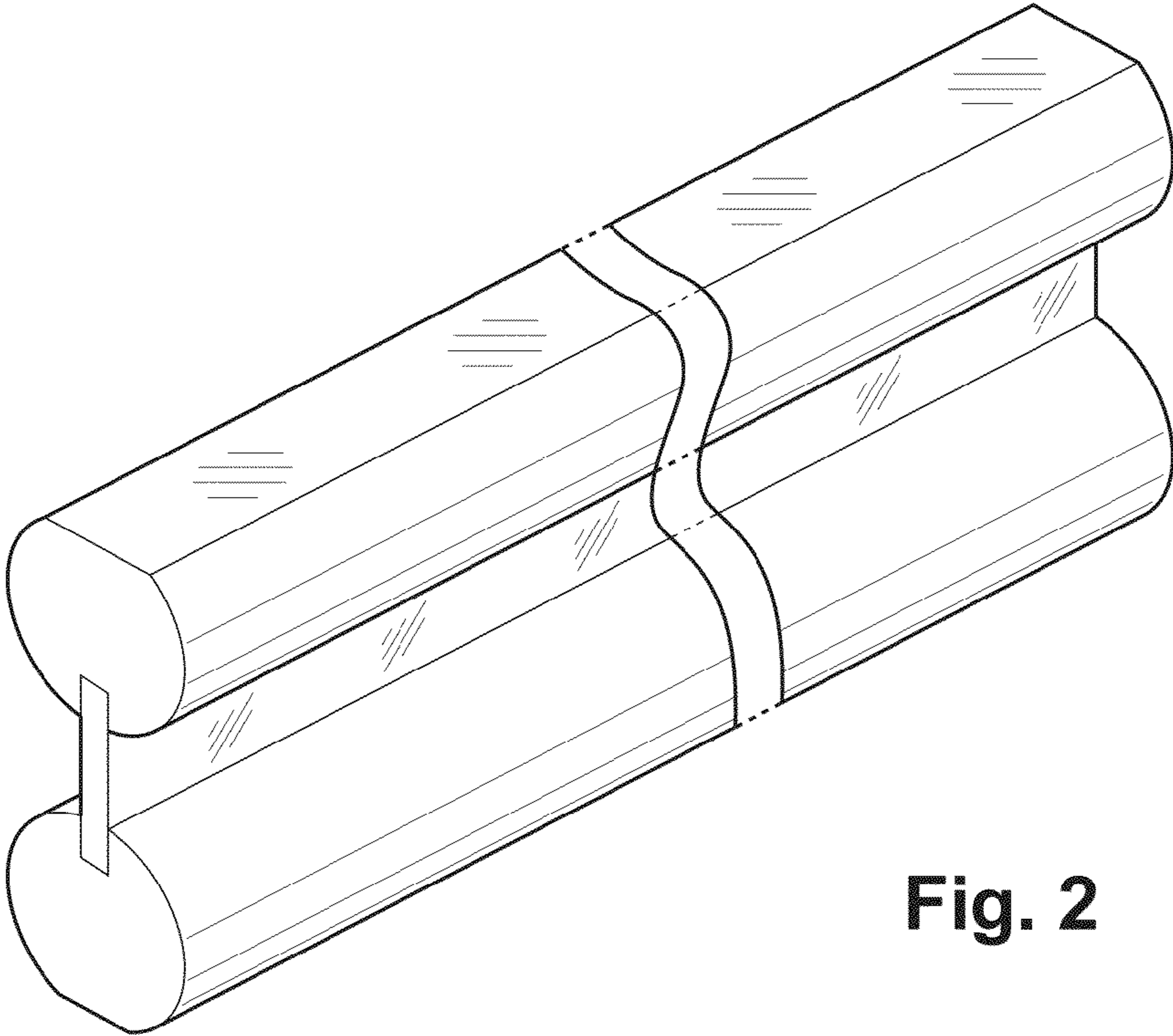


Fig. 2

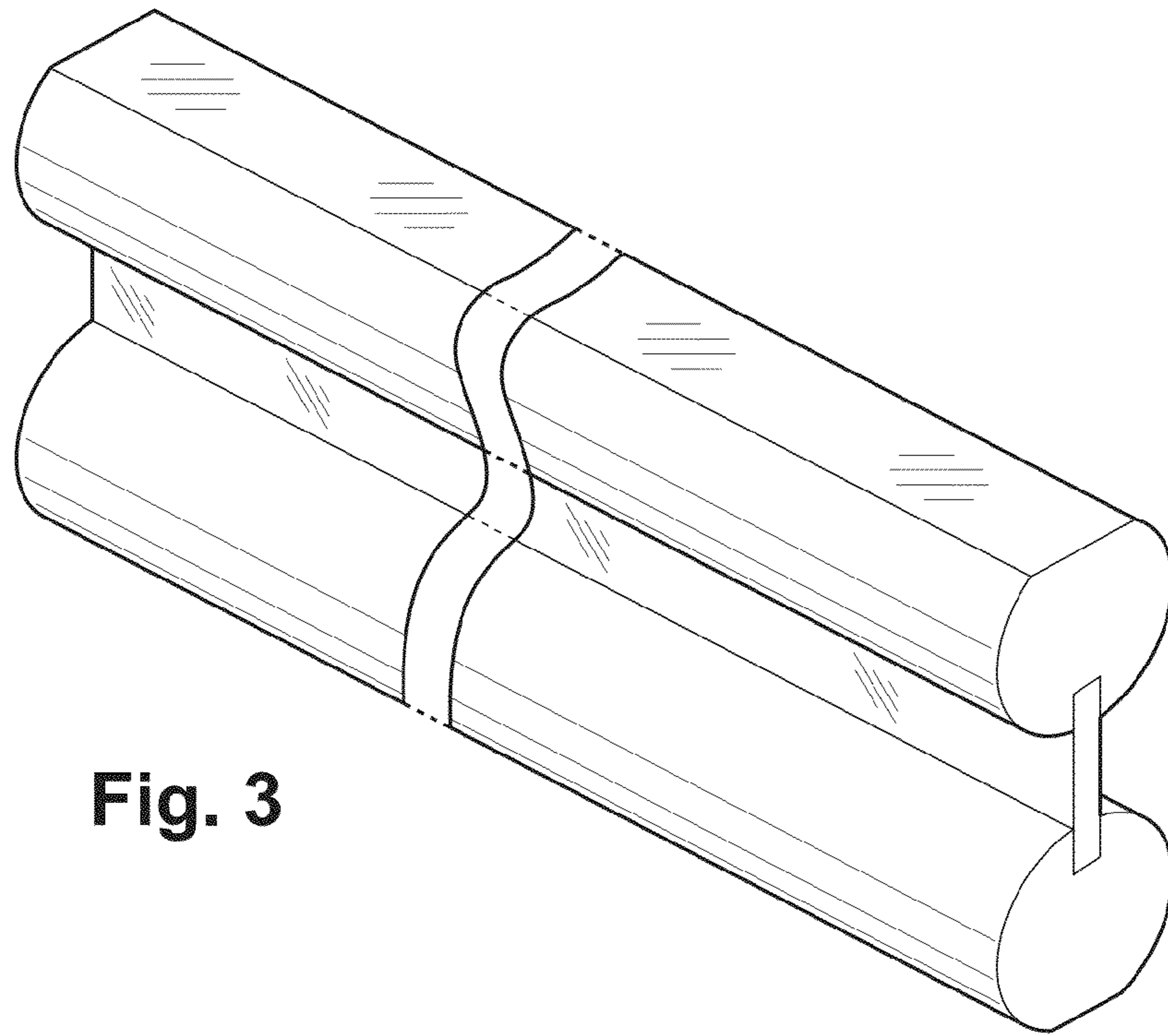


Fig. 3

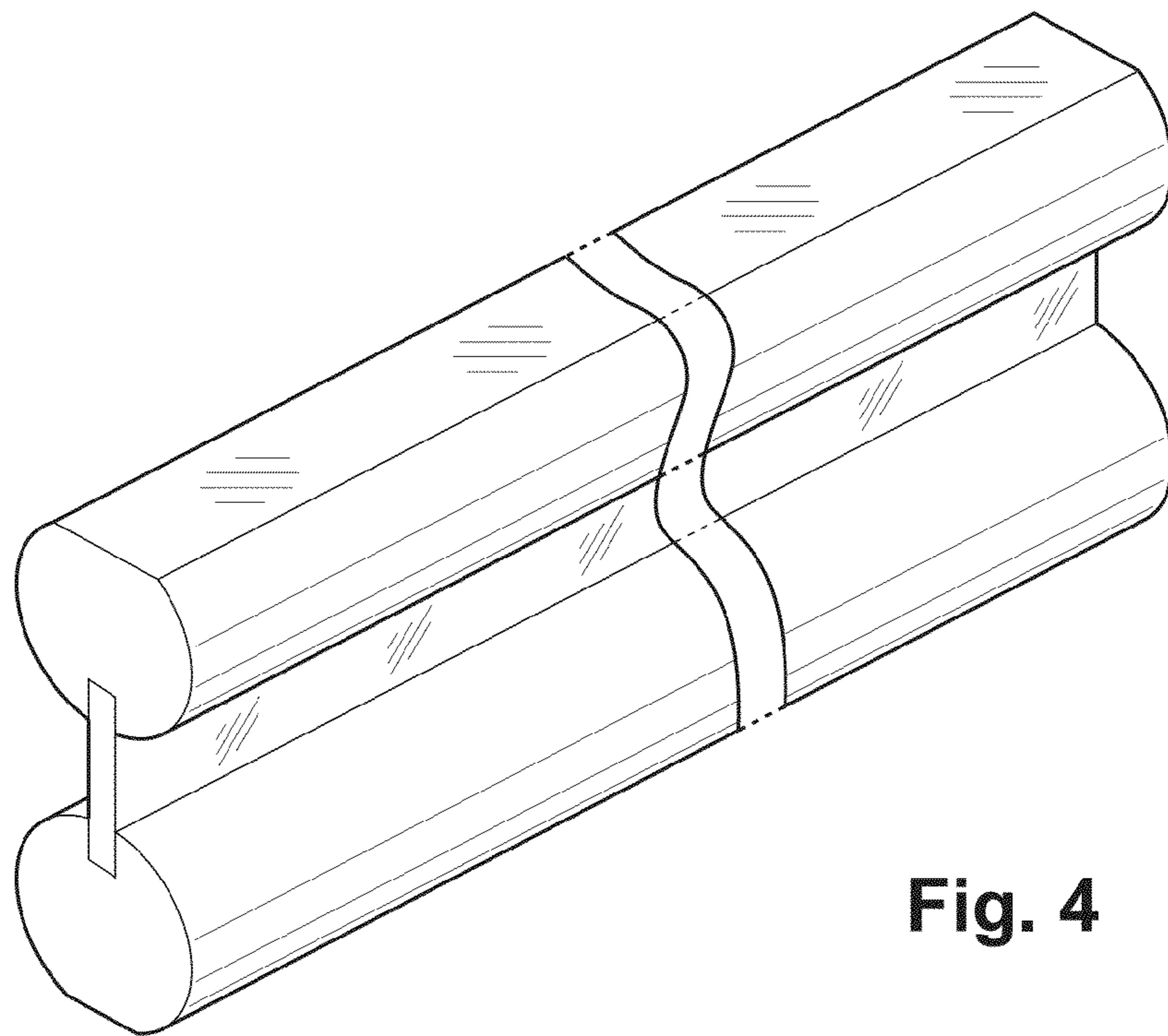


Fig. 4

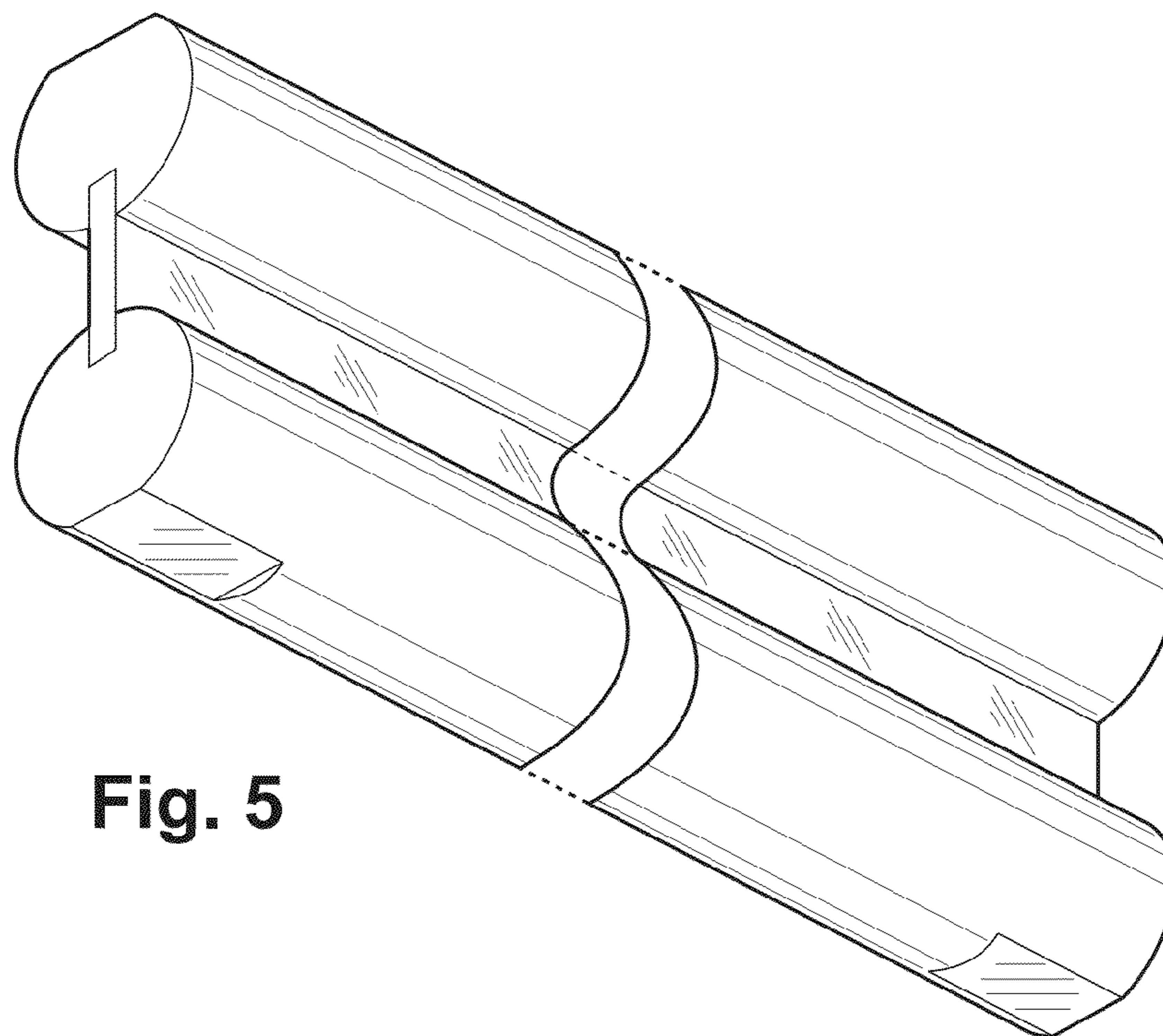


Fig. 5

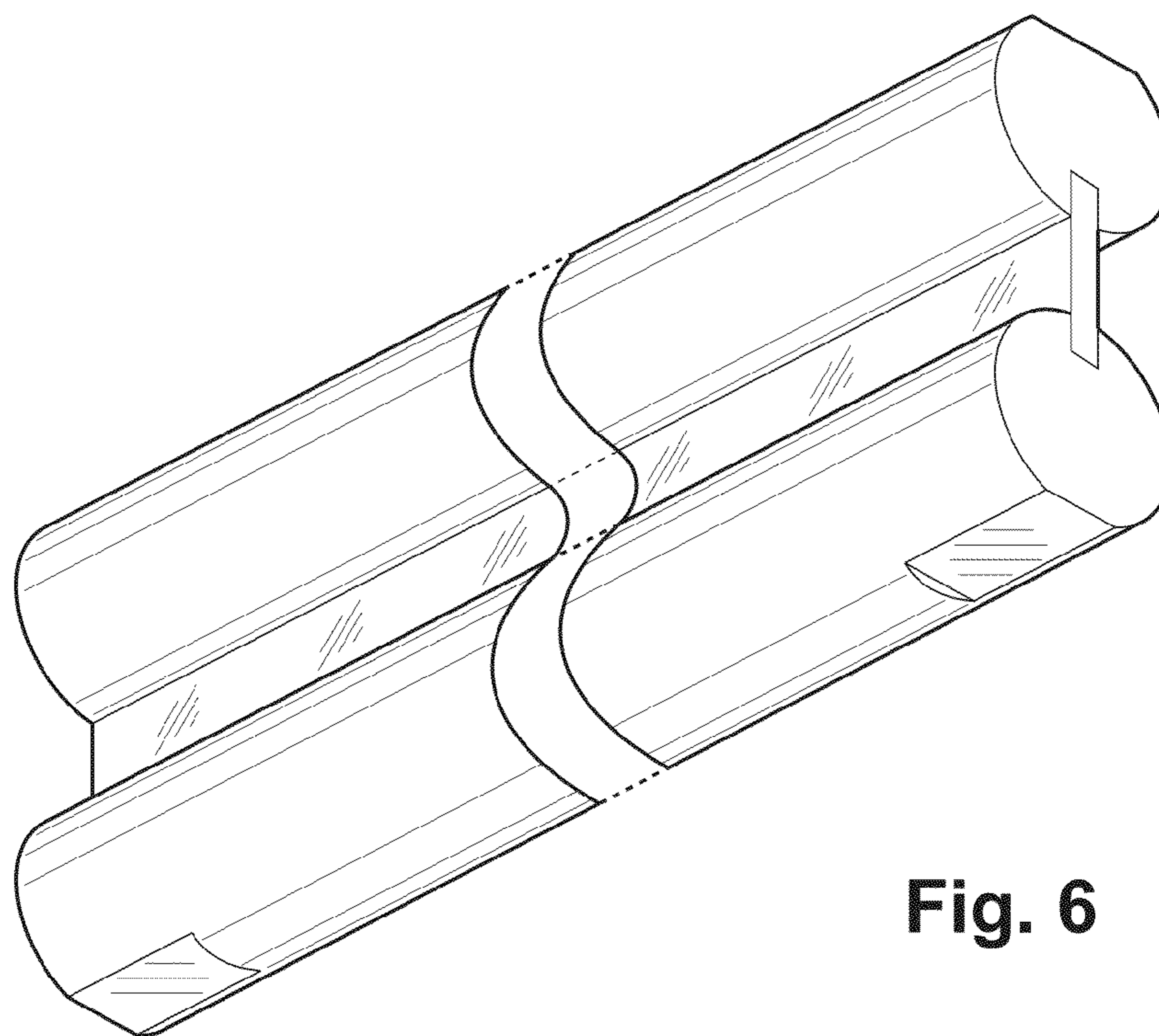


Fig. 6

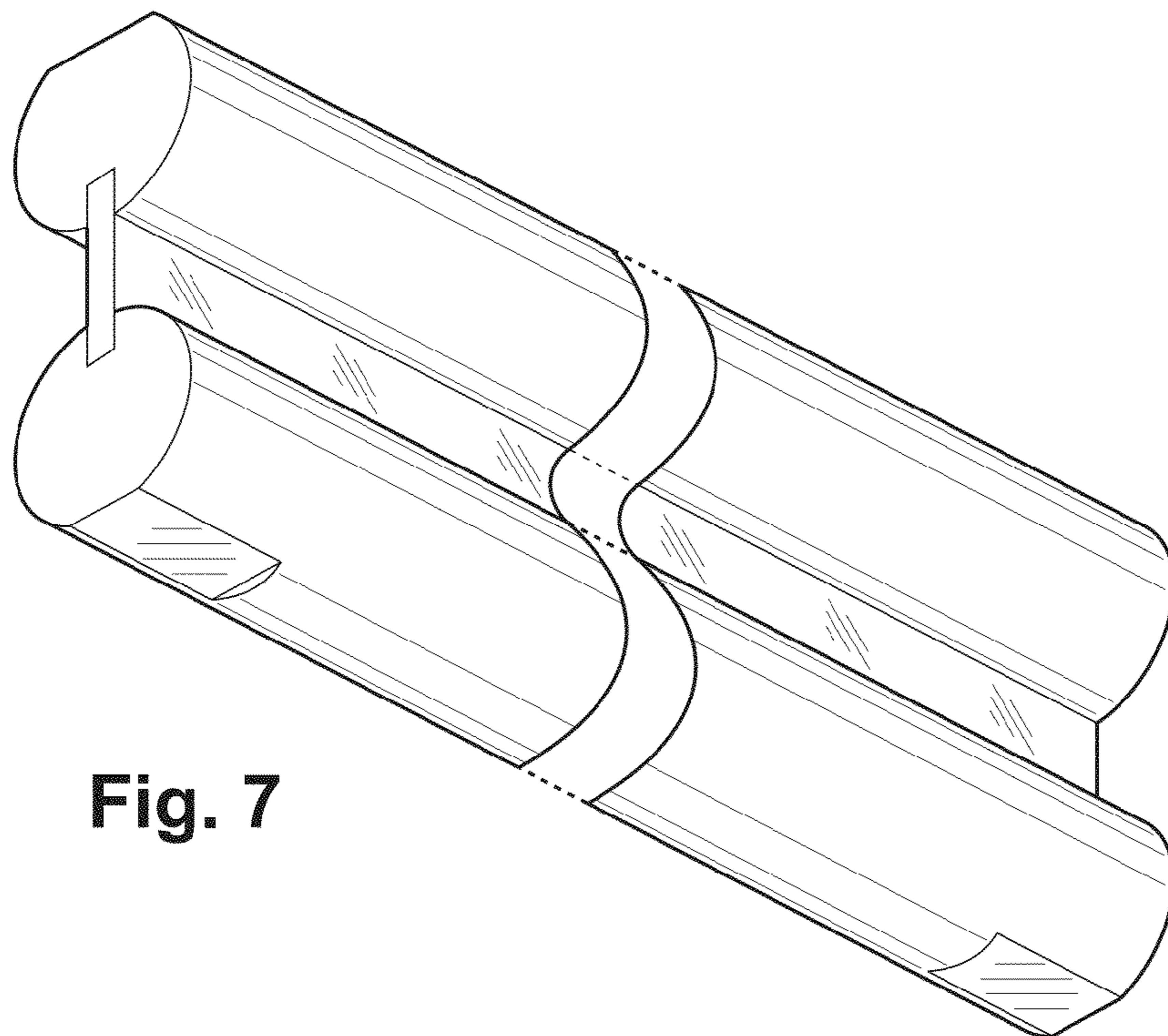


Fig. 7

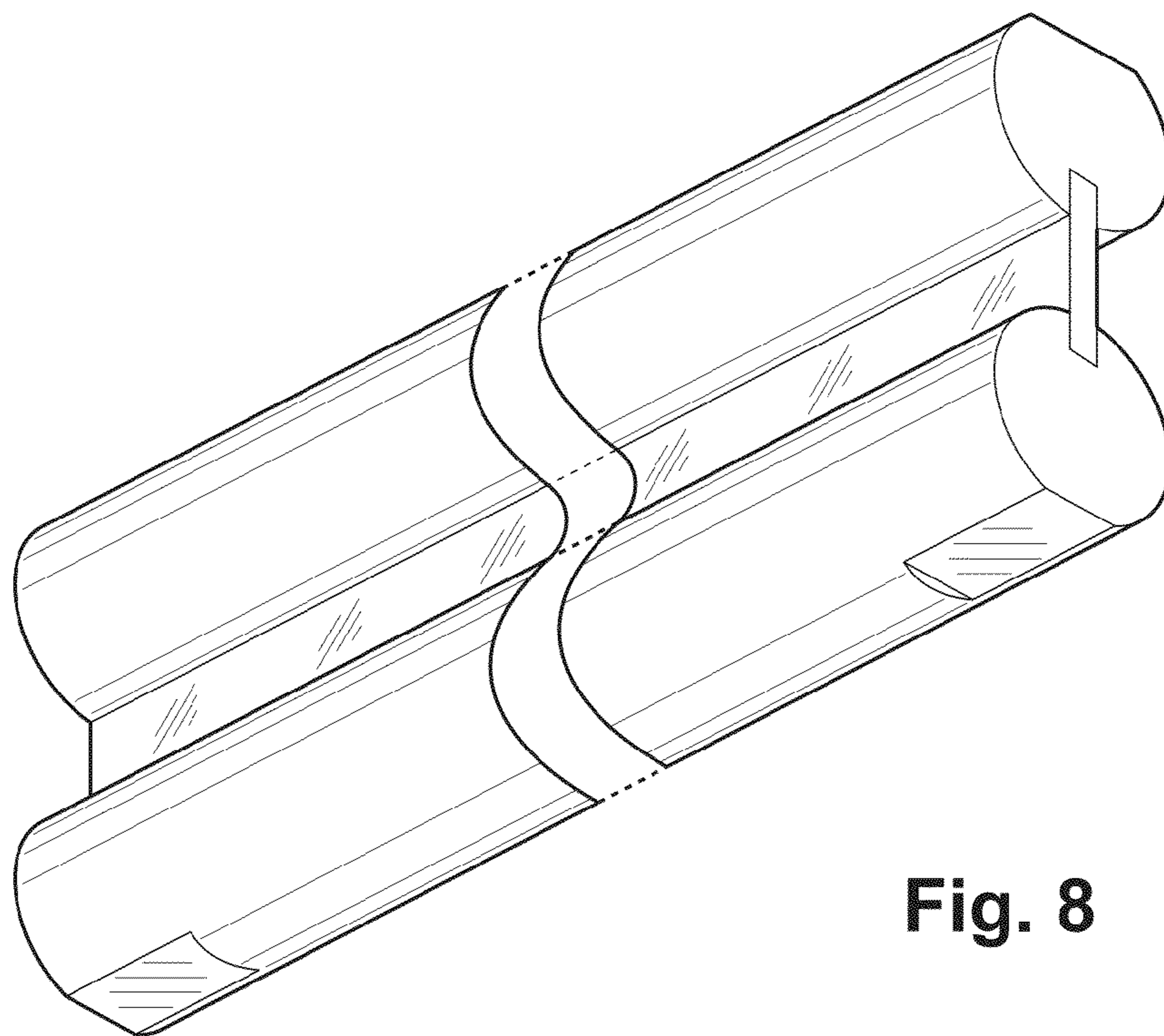


Fig. 8

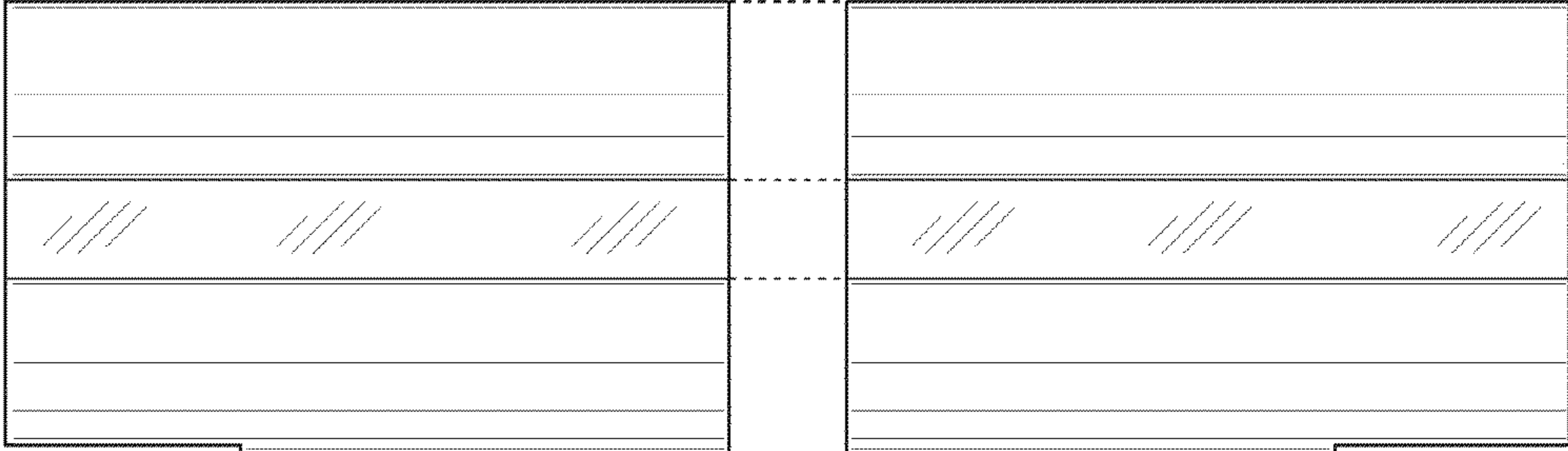


Fig. 9

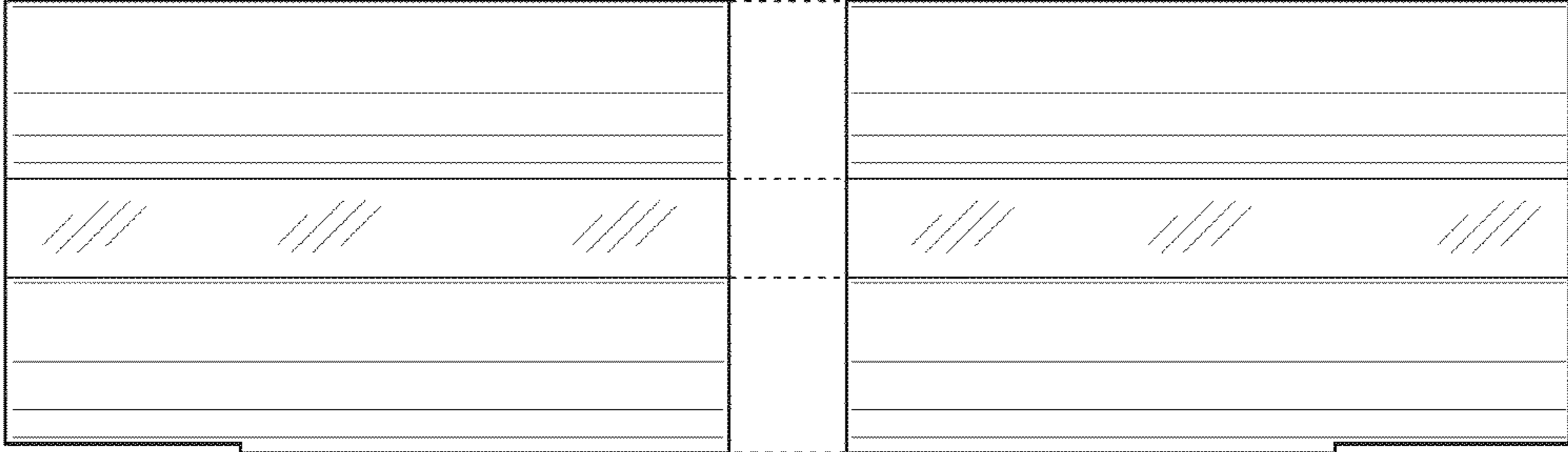


Fig. 10

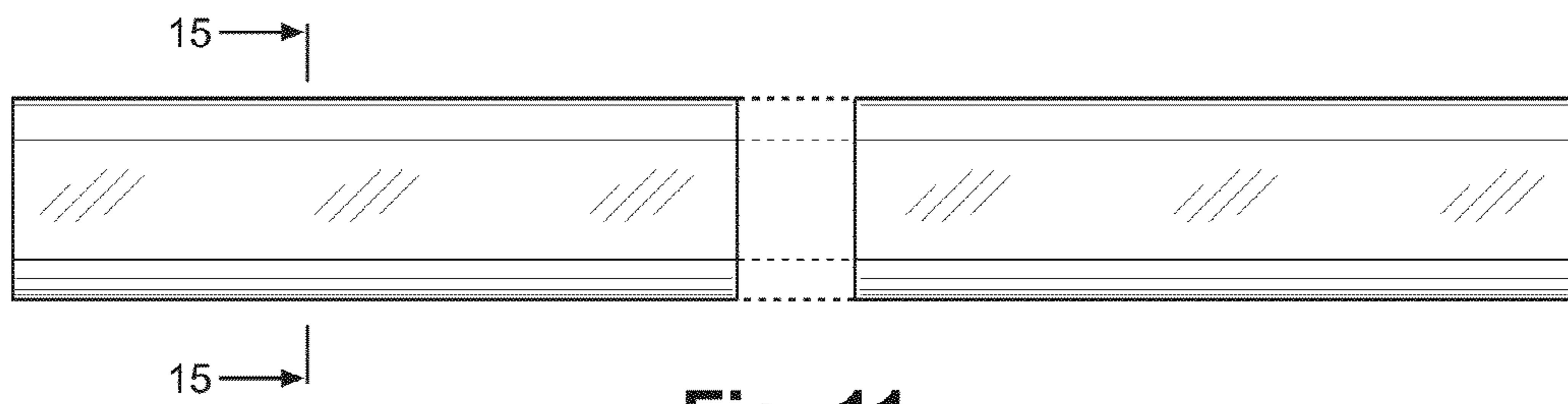


Fig. 11

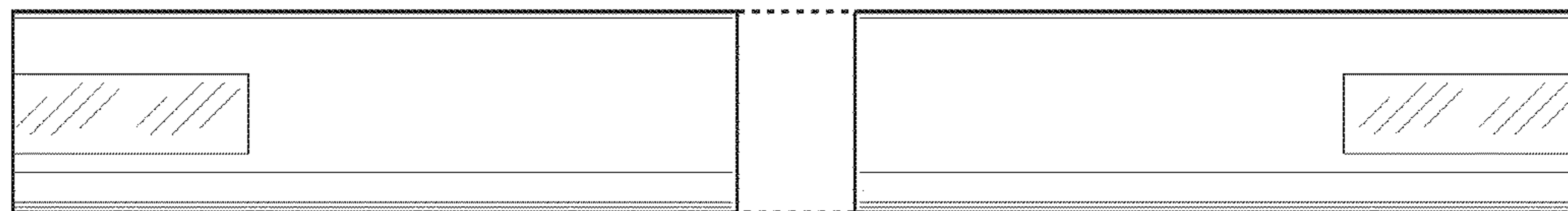


Fig. 12

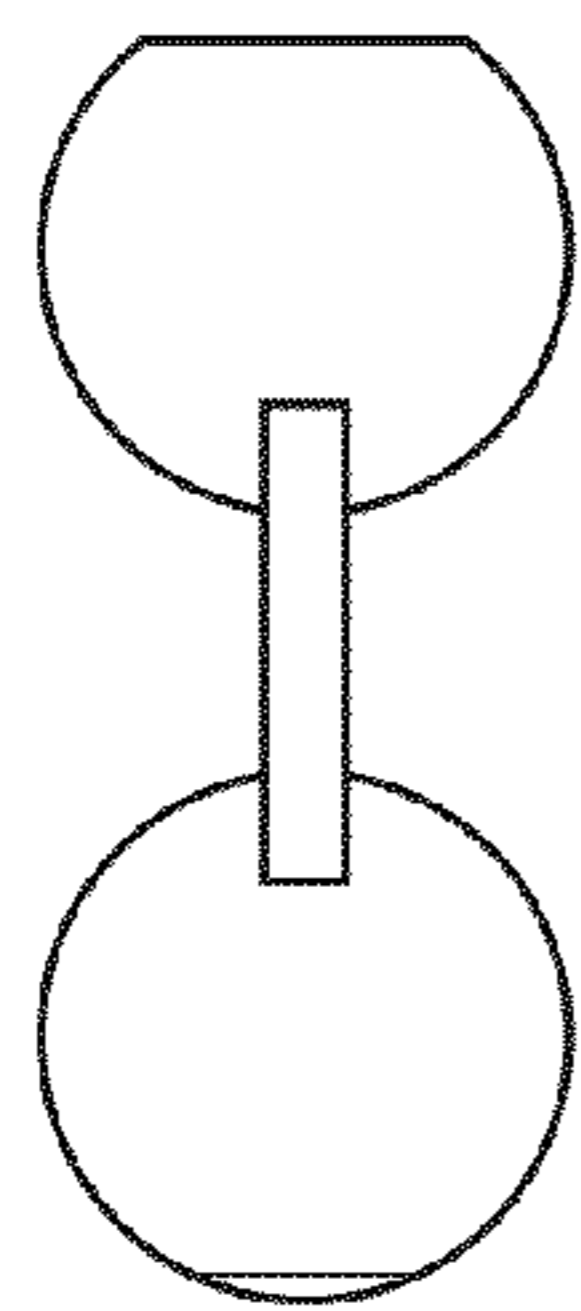


Fig. 13

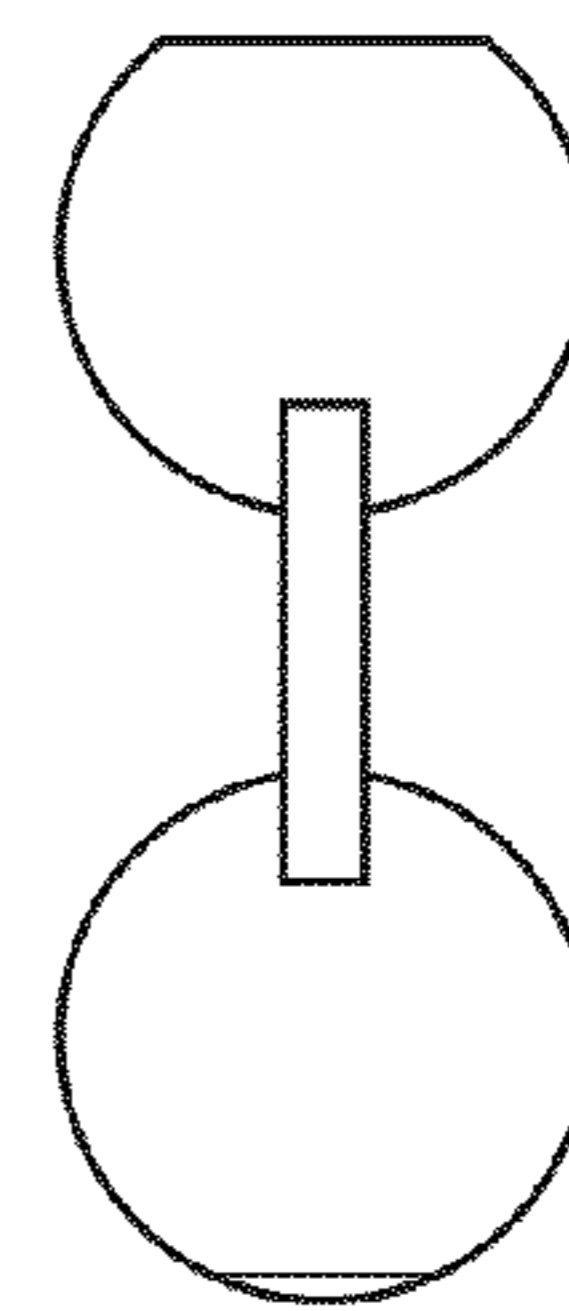


Fig. 14

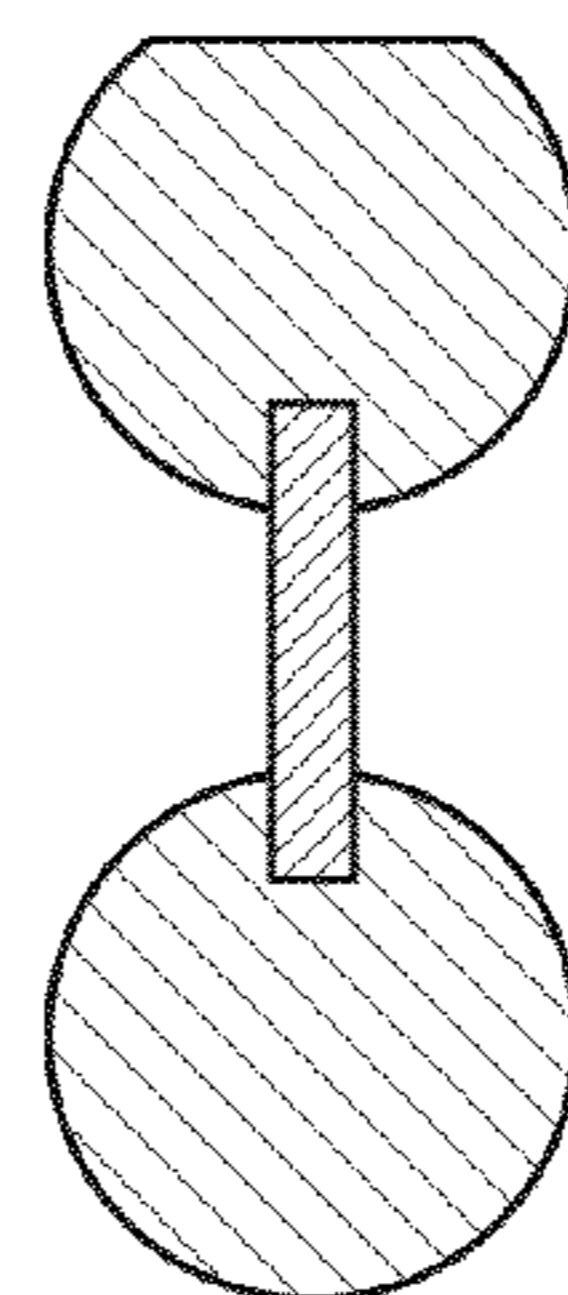


Fig. 15