

US00D740441S

(12) **United States Design Patent**
Donovan et al.

(10) **Patent No.:** **US D740,441 S**

(45) **Date of Patent:** **** Oct. 6, 2015**

- (54) **EYE AND FACE WASH SYSTEM**
- (71) Applicant: **SPEAKMAN COMPANY**, New Castle, DE (US)
- (72) Inventors: **Clarence P. Donovan**, Newark, DE (US); **Jeffrey B. Harwanko**, Wilmington, DE (US)
- (73) Assignee: **SPEAKMAN COMPANY**, New Castle, DE (US)

5,740,569 A * 4/1998 Gurries et al. 4/620
 D612,064 S * 3/2010 Strandberg et al. D24/231
 8,316,478 B2 * 11/2012 Strandberg et al. 4/620
 D700,302 S * 2/2014 Eveleigh et al. D23/284

* cited by examiner

Primary Examiner — Wan Laymon

(74) *Attorney, Agent, or Firm* — Novak Druce Connolly Bove + Quigg LLP

(**) Term: **14 Years**

(57) **CLAIM**

The ornamental design for an eye and face wash system, as shown and described.

(21) Appl. No.: **29/460,056**

DESCRIPTION

(22) Filed: **Jul. 8, 2013**

(51) **LOC (10) Cl.** **24-99**

(52) **U.S. Cl.**

USPC **D24/232**; D23/284

(58) **Field of Classification Search**

USPC D24/232, 121, 123, 177, 185; D23/271, D23/284, 291, 303, 308; 4/619–620, 4/623–624; 239/543, 28, 31, 16; 604/294

CPC A61H 35/02; A61H 35/00; A61H 35/008; E03C 1/057; E03C 1/023; E03C 1/04; E03C 1/08; E03C 1/084; E03C 1/18; E03C 1/182; E03C 1/22; E03C 1/16; E03C 1/14; A47K 1/02; A47K 1/04; A61B 19/36

See application file for complete search history.

(56) **References Cited**

U.S. PATENT DOCUMENTS

2,458,876	A	1/1949	Rehn	
2,482,960	A	9/1949	Benson	
2,775,774	A	1/1957	Logan	
2,999,248	A	9/1961	Logan	
3,090,050	A	5/1963	Fraser	
3,413,660	A	12/1968	Lagarelli	
3,629,876	A	12/1971	Wright	
5,008,963	A	4/1991	Stein	
5,530,972	A *	7/1996	Tanner	4/620

FIG. 1 is a perspective view of an eye and face wash system, shown having a thermoplastic bowl and without a pedestal attachment;

FIG. 2 is top elevation view thereof;

FIG. 3 is a bottom elevation view thereof;

FIG. 4 is a front elevation view thereof;

FIG. 5 is a rear elevation view thereof;

FIG. 6 is a right side elevation view thereof;

FIG. 7 is a left side elevation view thereof;

FIG. 8 is a perspective view of an eye and face wash system, shown having a metal or composite bowl and without a pedestal attachment;

FIG. 9 is a top elevation view thereof; and,

FIG. 10 is a bottom elevation view thereof;

FIG. 11 is a front elevation view thereof;

FIG. 12 is a rear elevation view thereof;

FIG. 13 is a right side elevation view thereof; and,

FIG. 14 is a left side elevation view thereof.

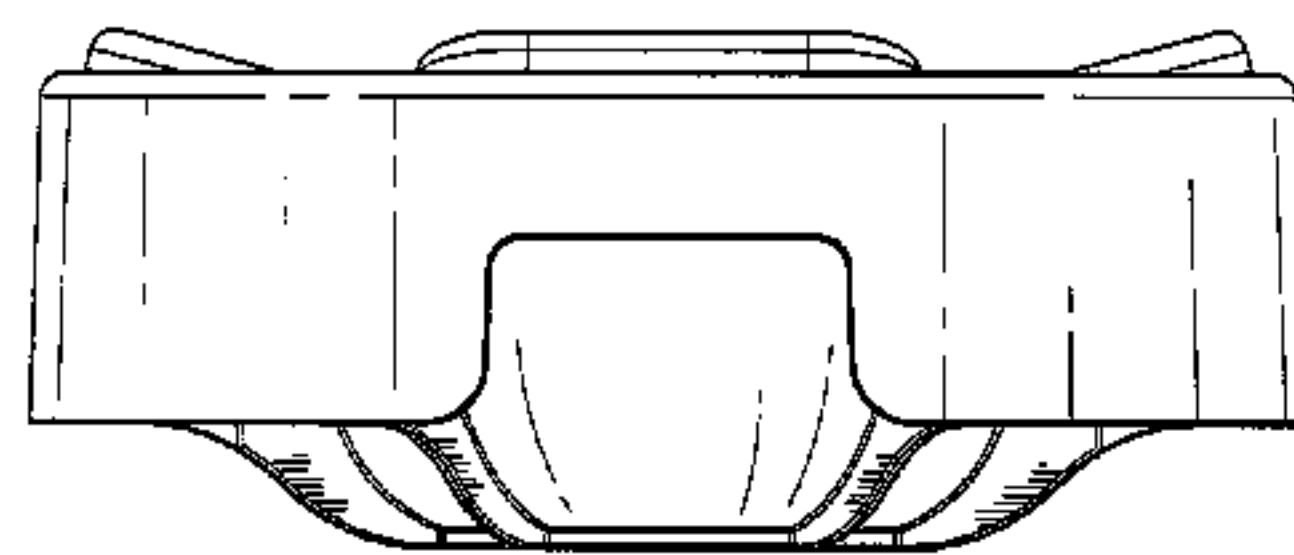
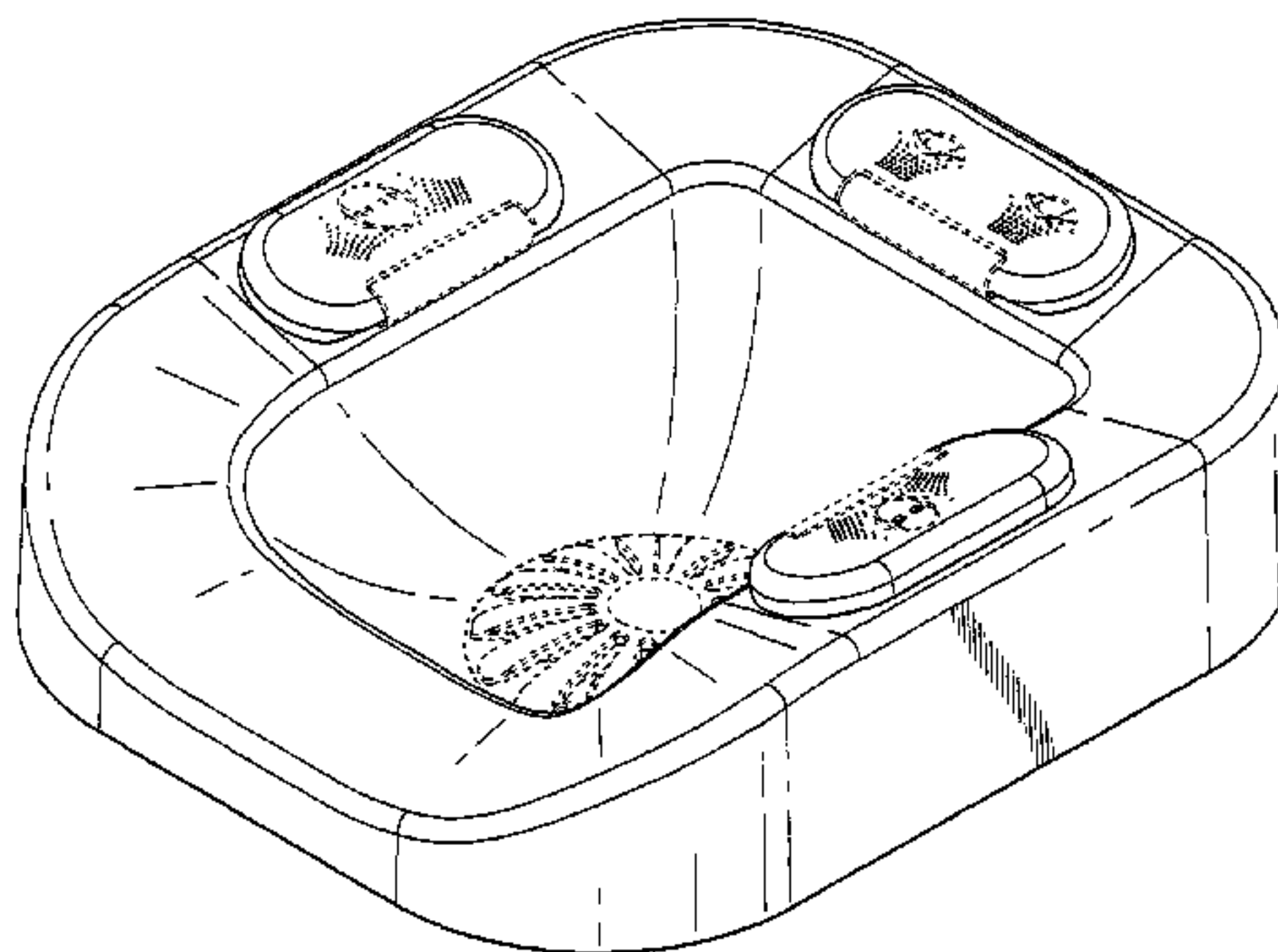
The following are illustrative of environmental structure for and form no part of the claimed design.

The hinge connections coupled to the eye wash and face wash spray covers.

The strainer shapes and configuration.

All broken lines shown in the drawings.

1 Claim, 14 Drawing Sheets



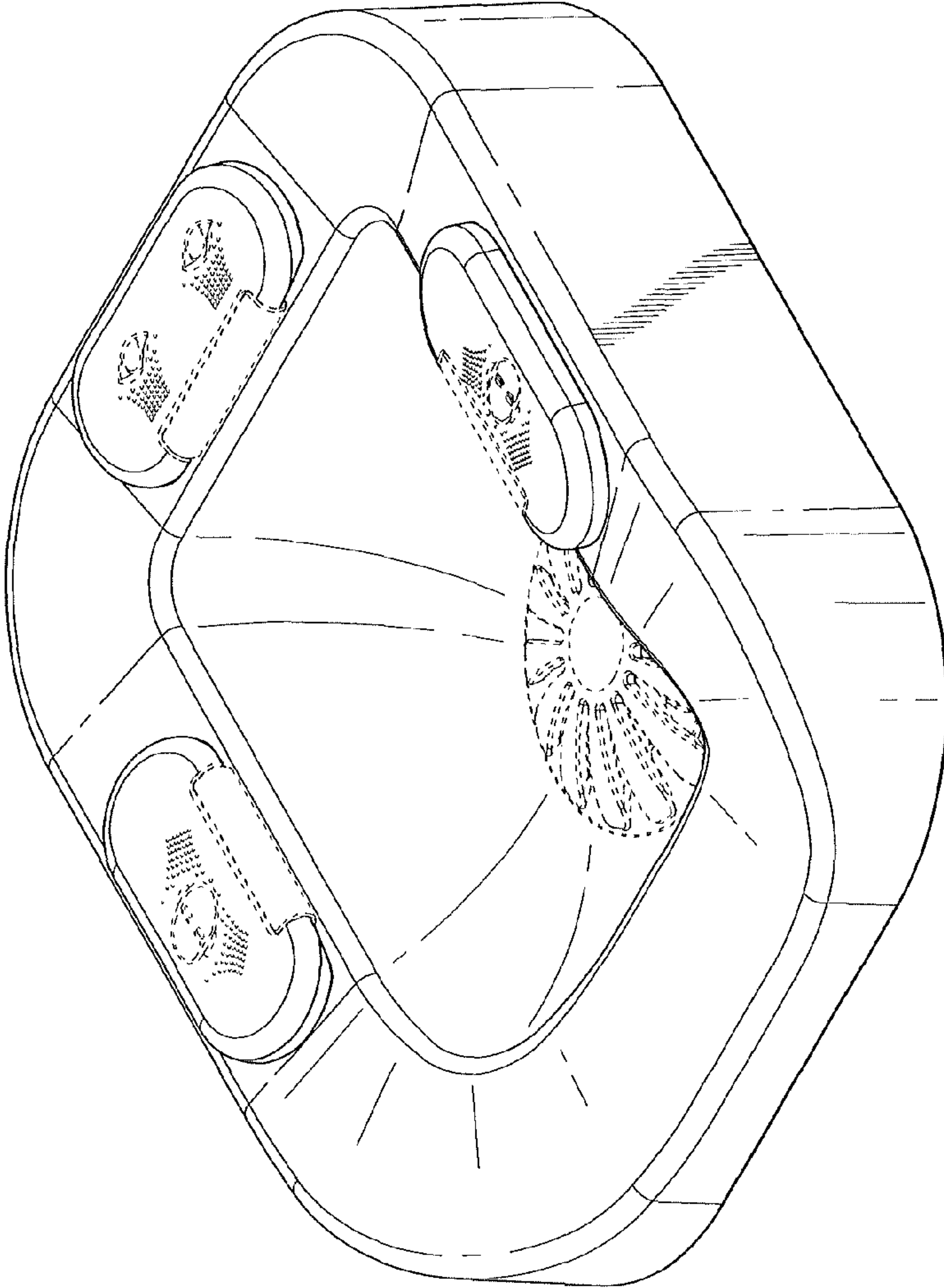


FIG. 1

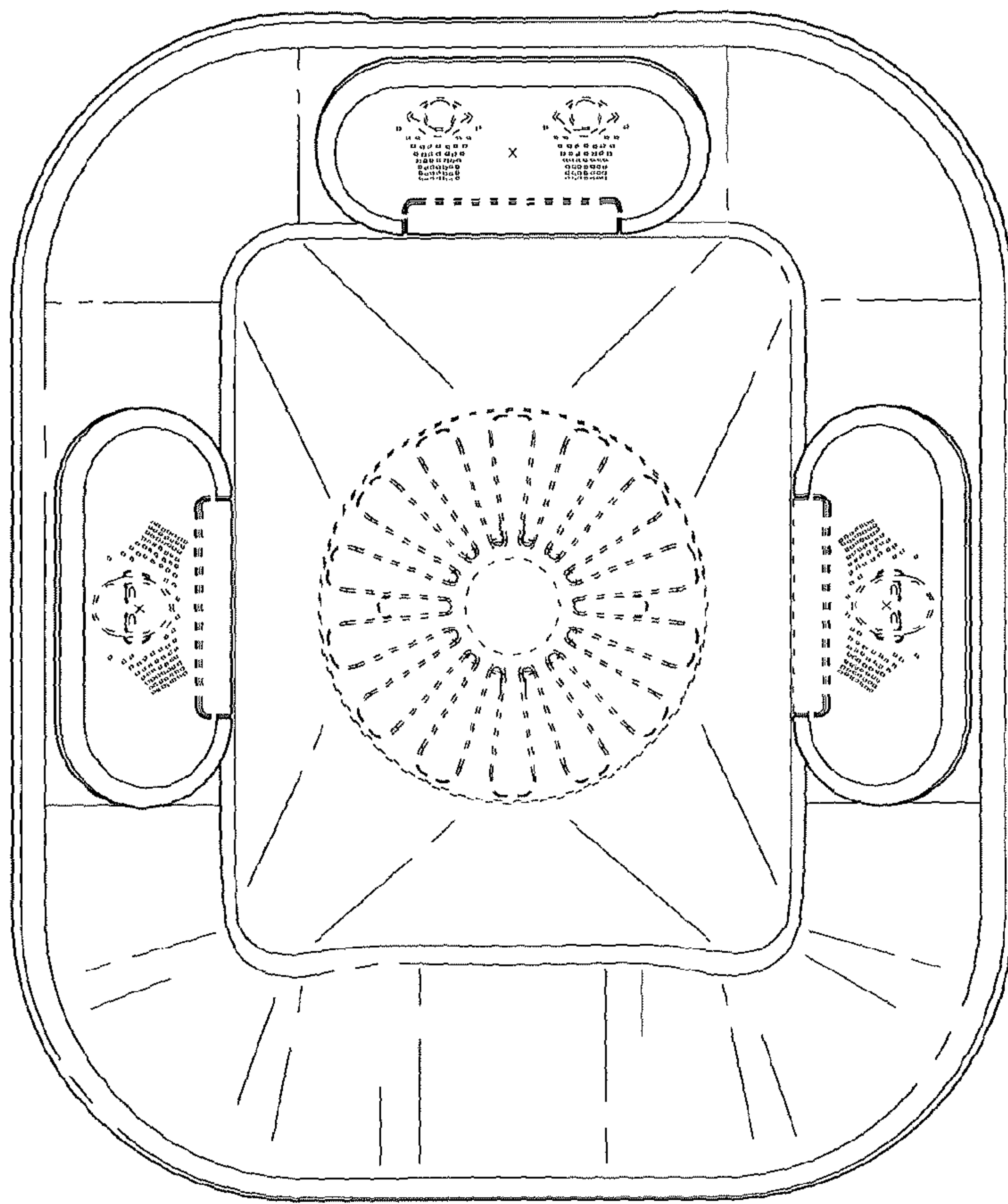


FIG. 2

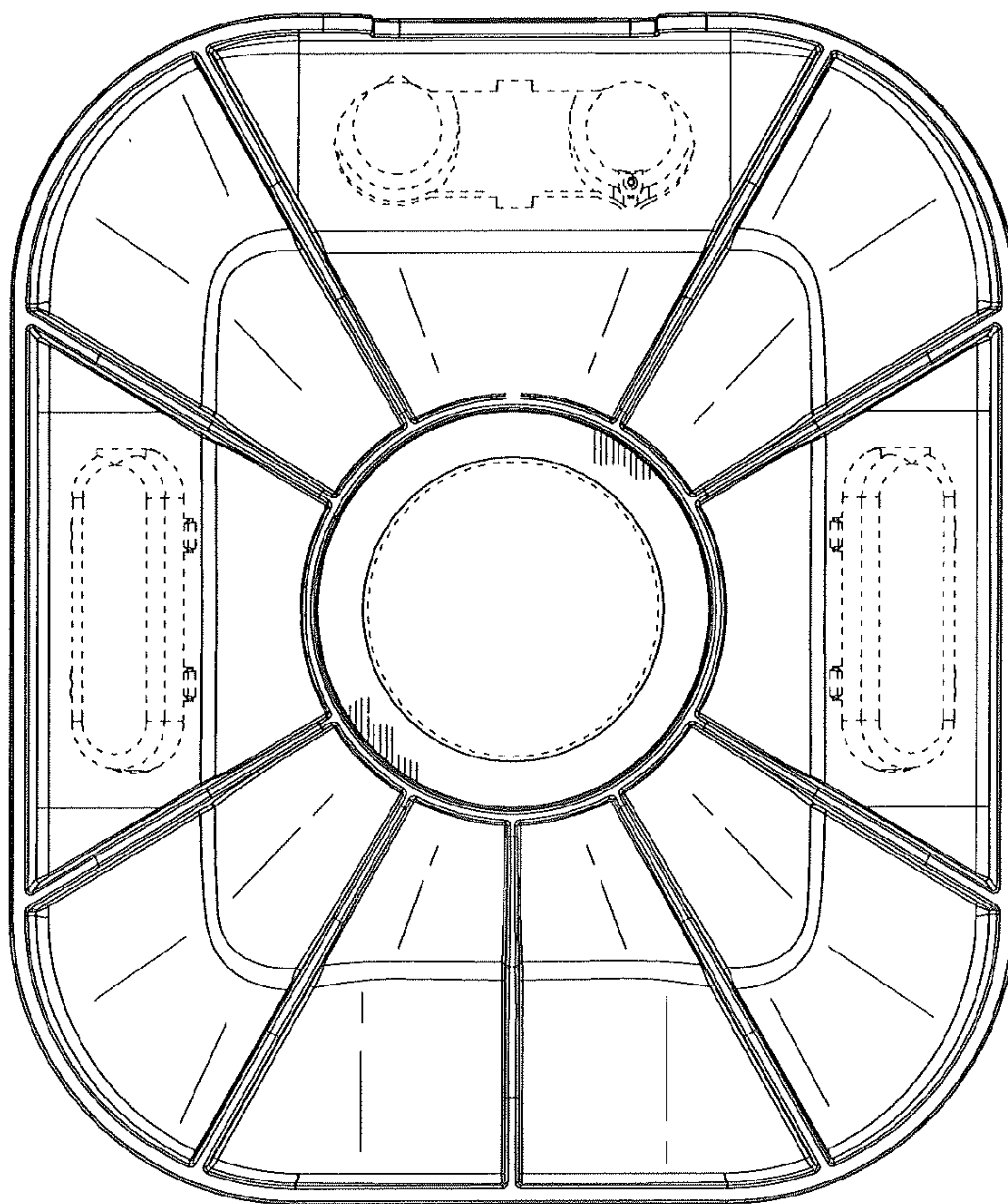


FIG. 3

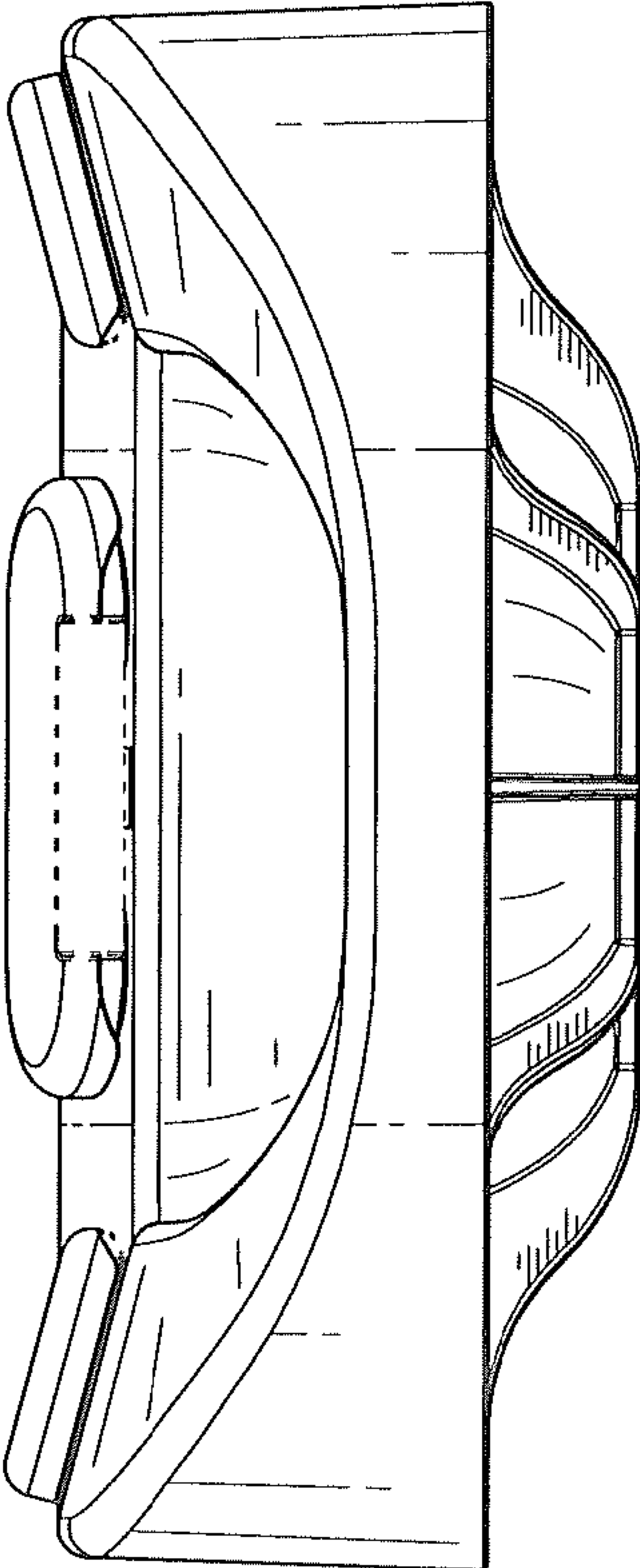


FIG. 4

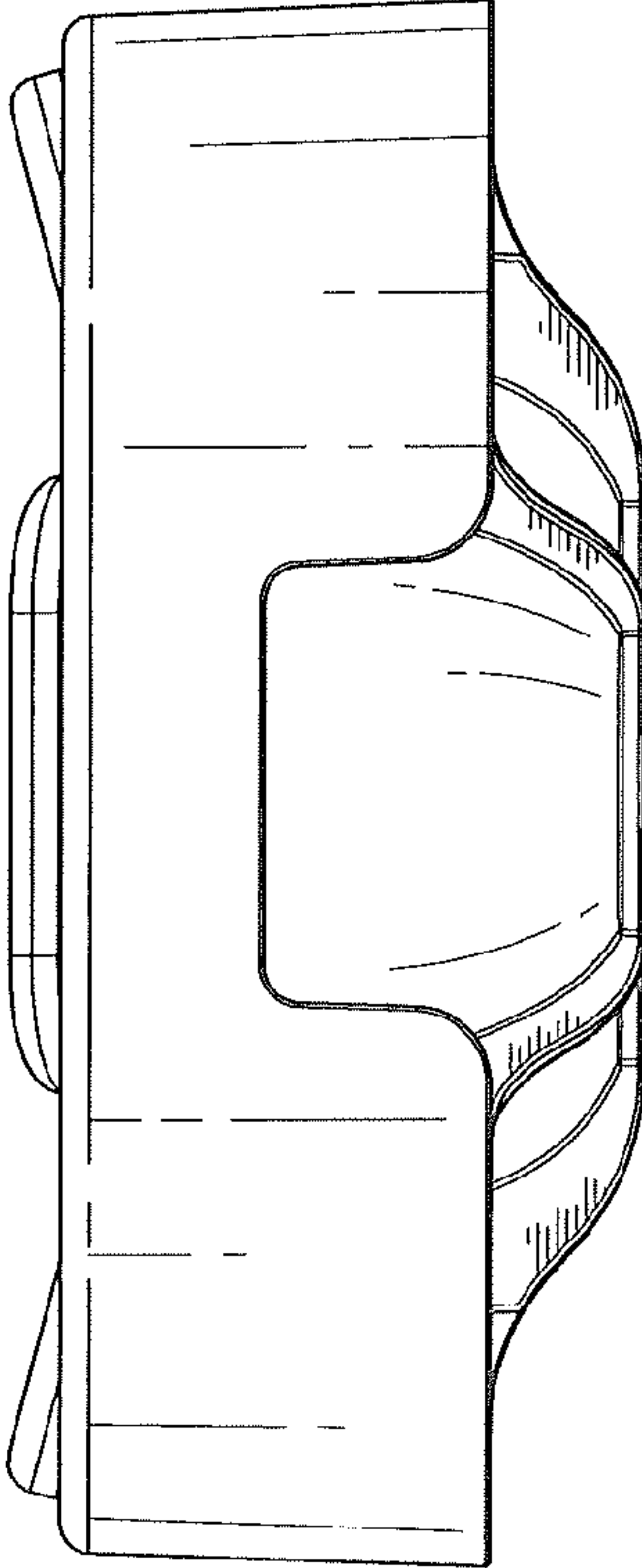


FIG. 5

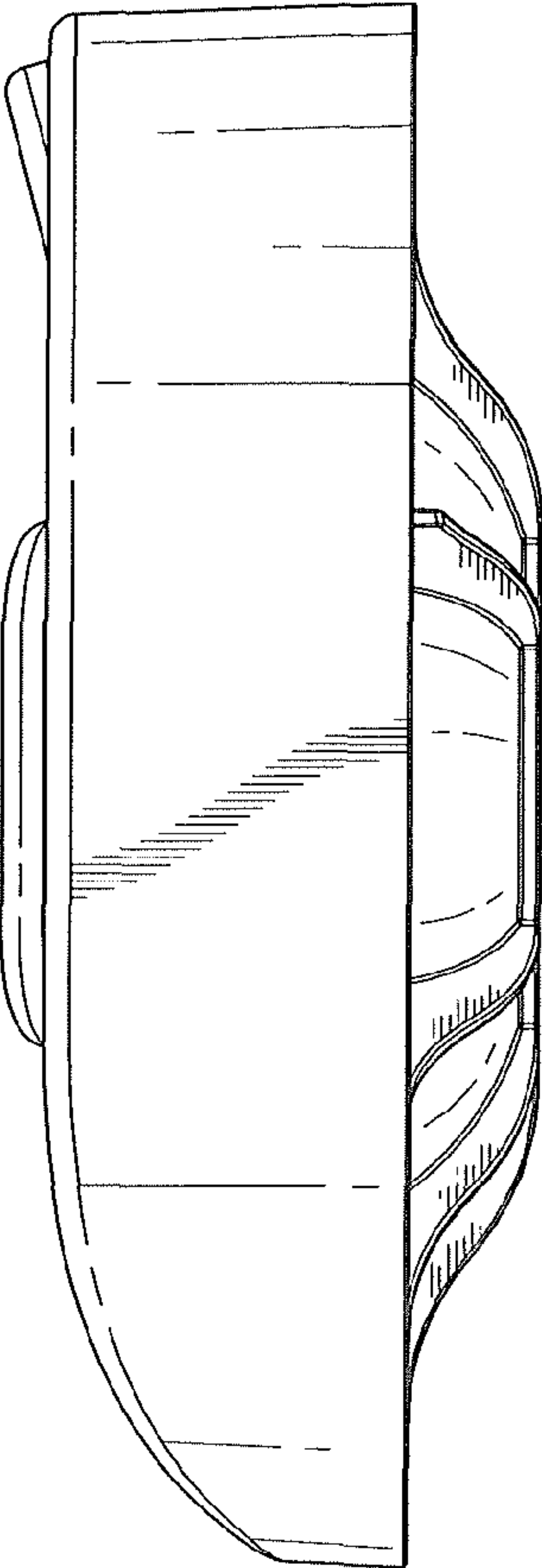


FIG. 6

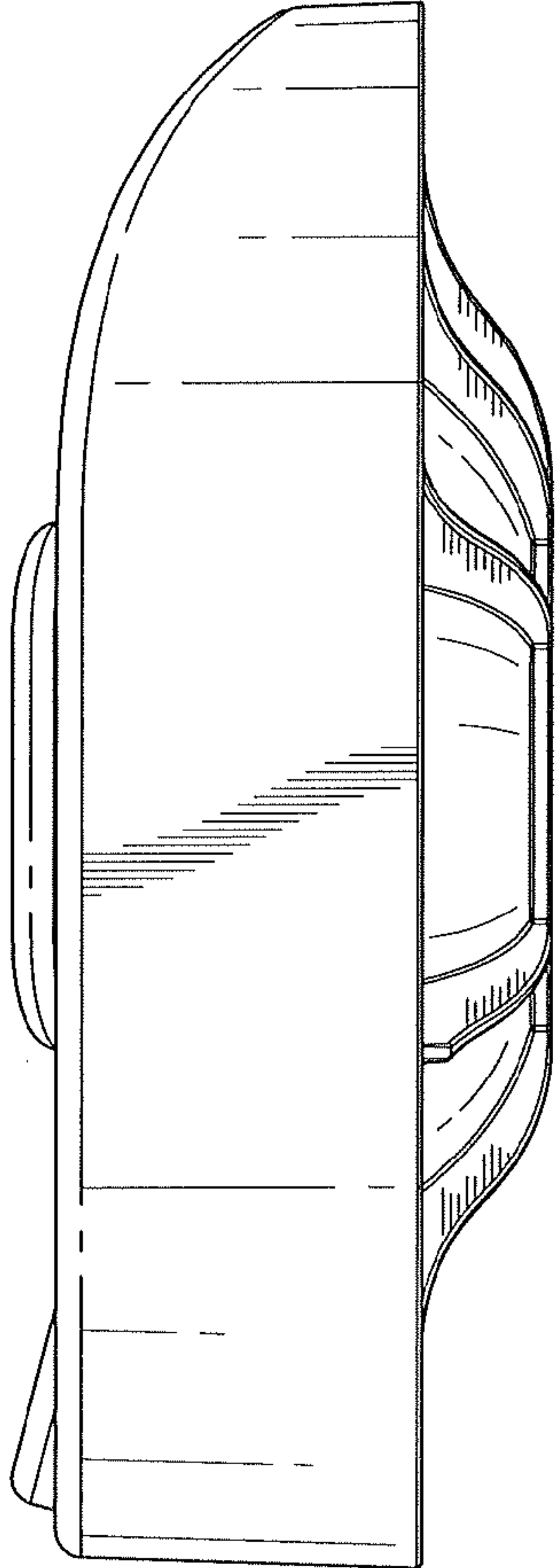


FIG. 7

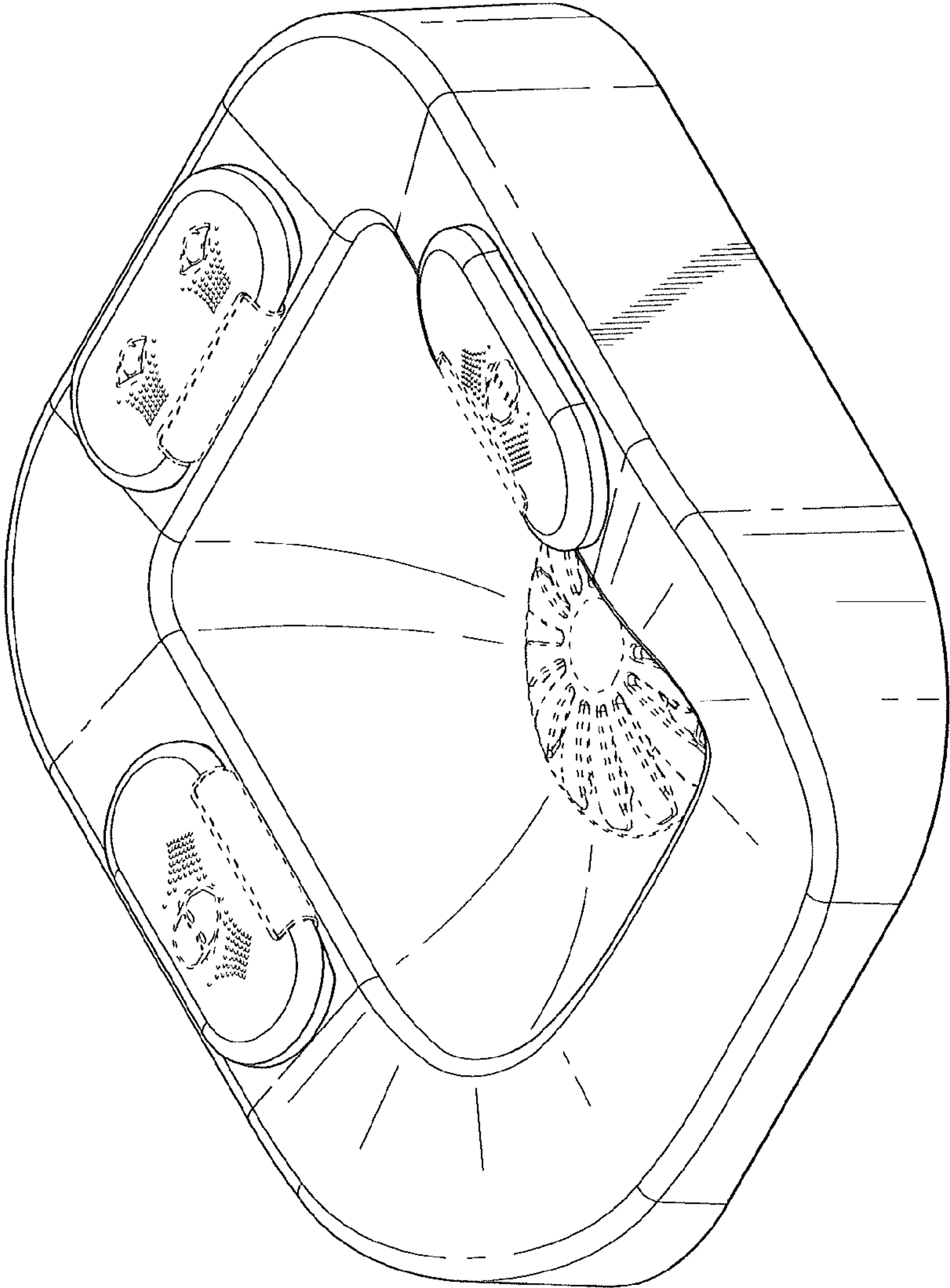


FIG. 8

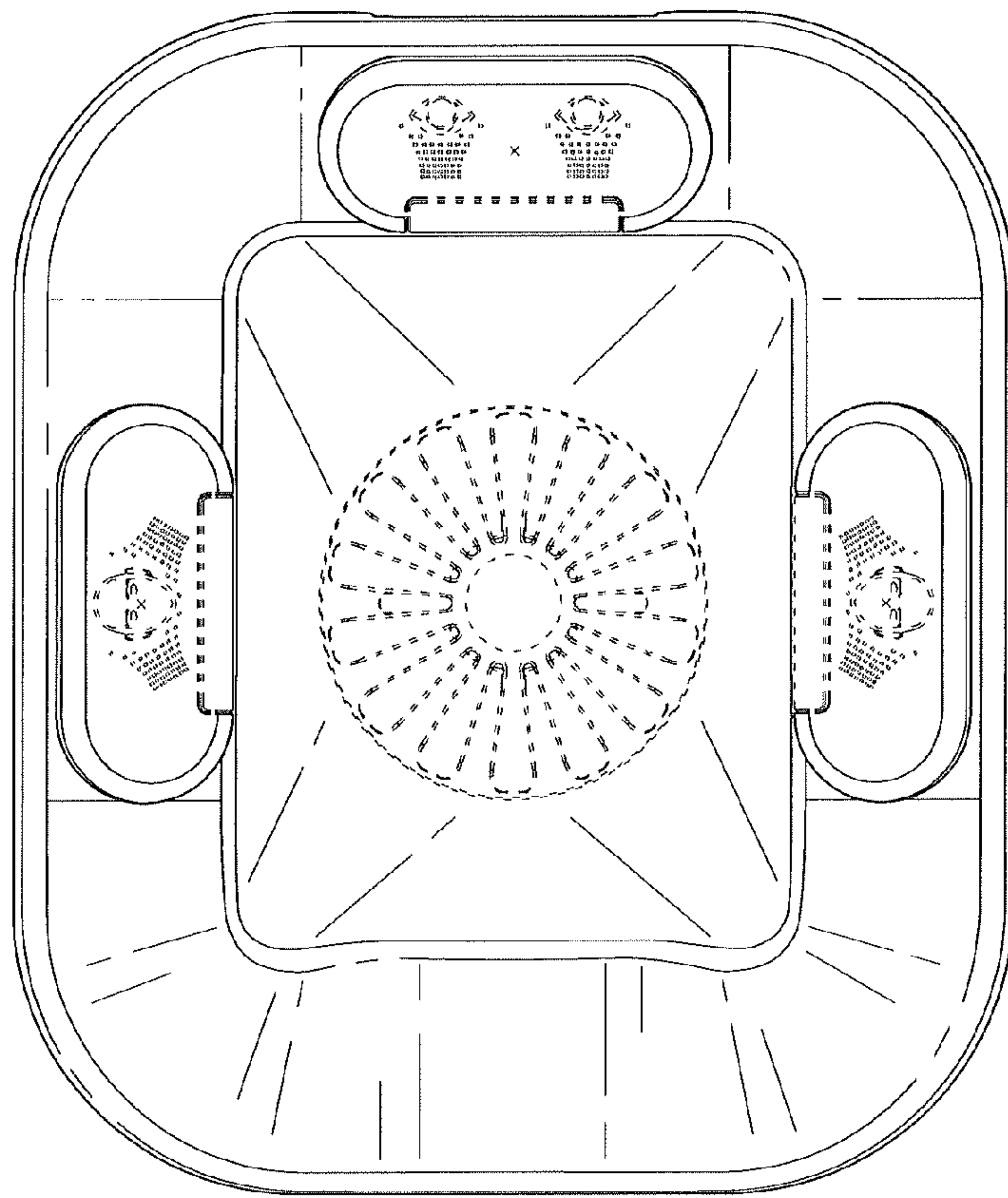


FIG. 9

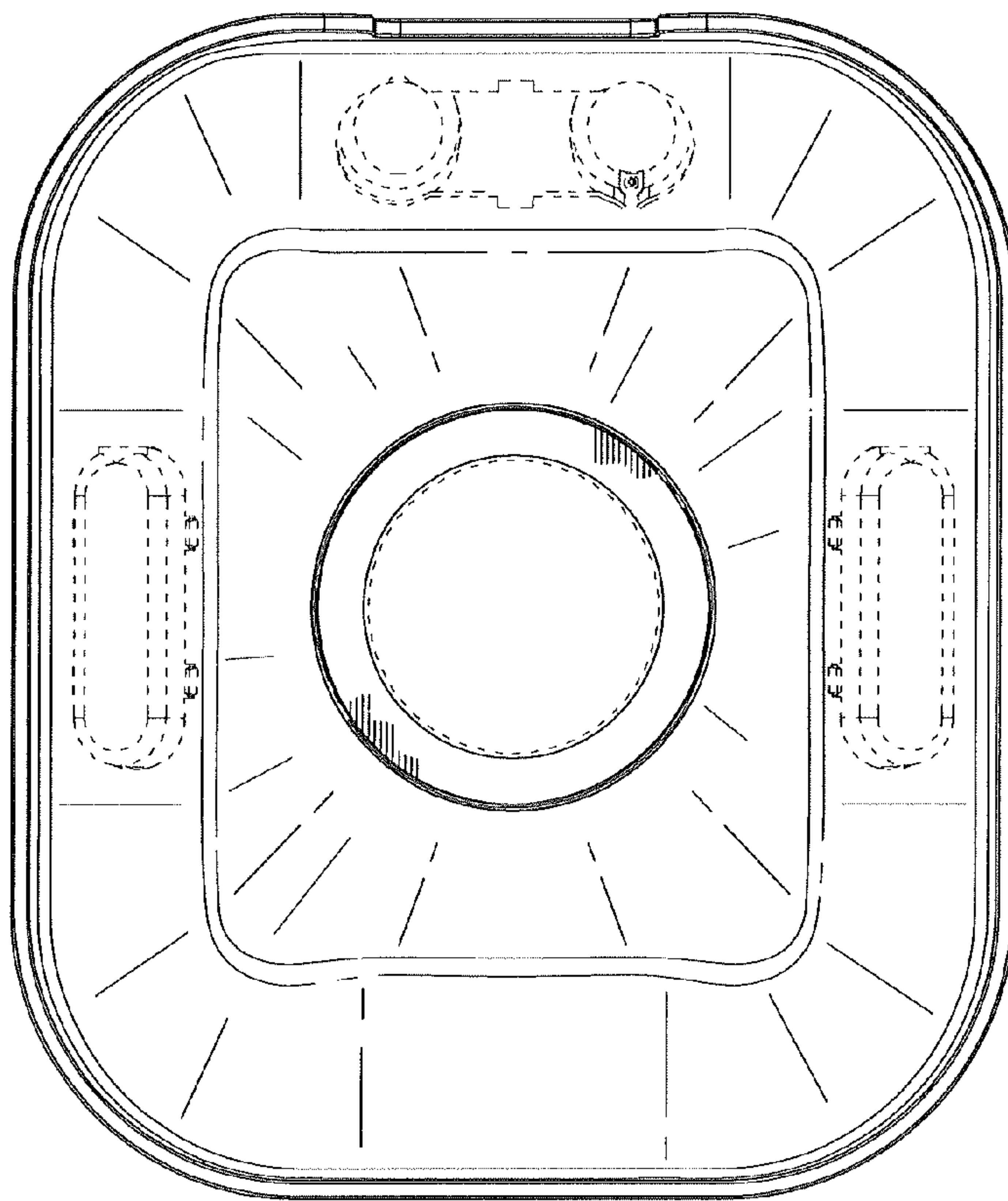


FIG. 10

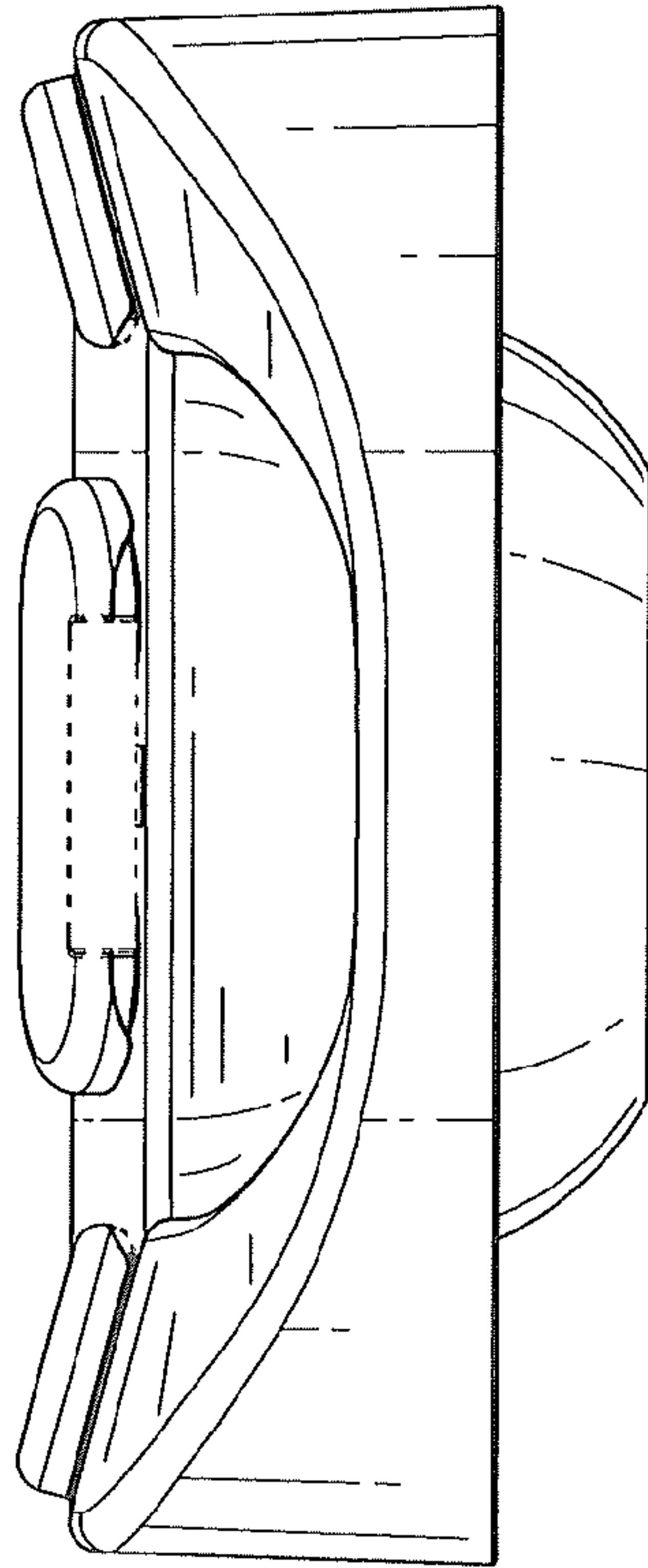


FIG. 11

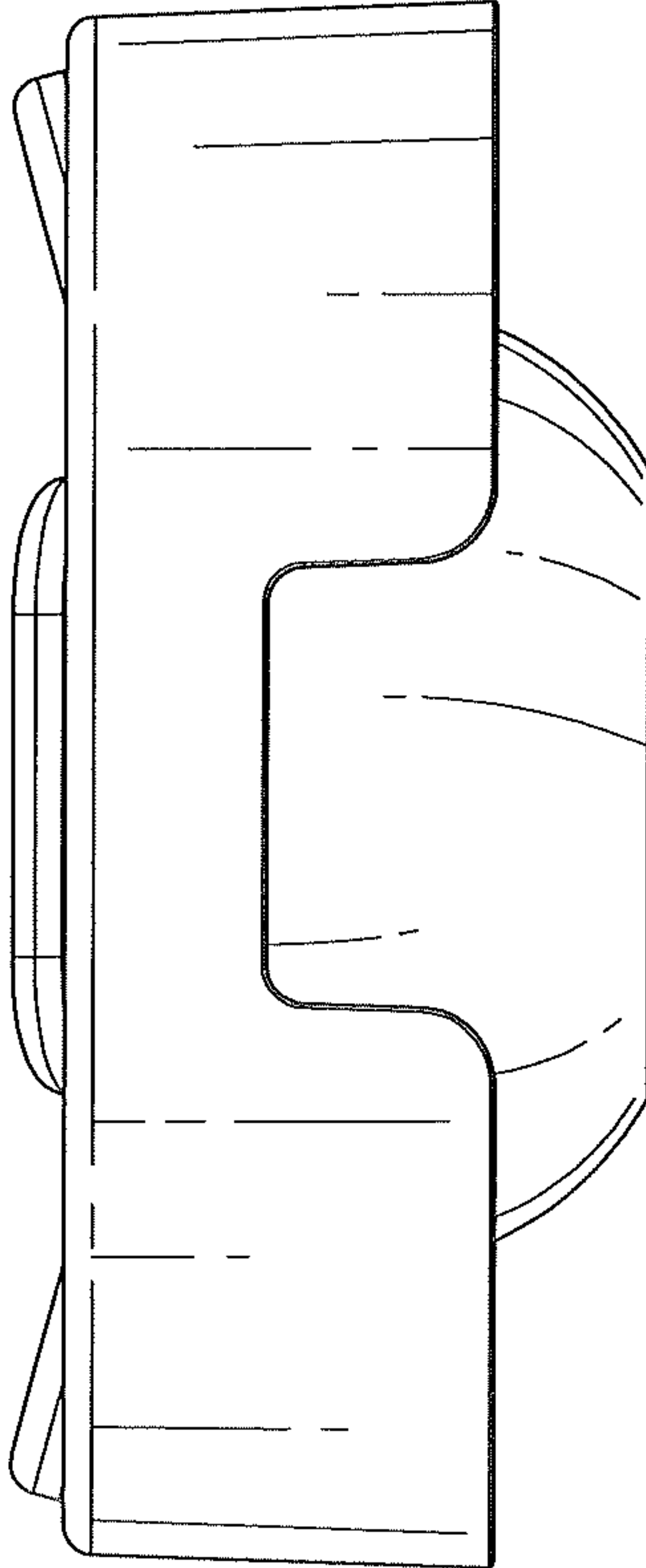


FIG. 12

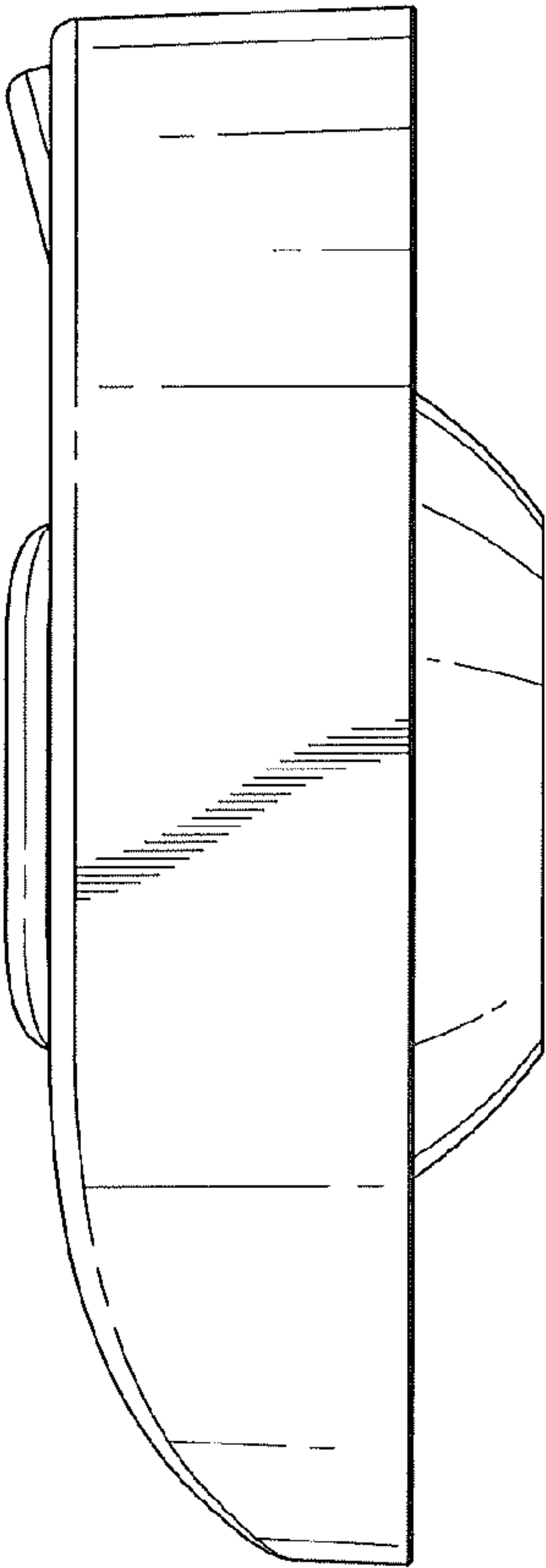


FIG. 13

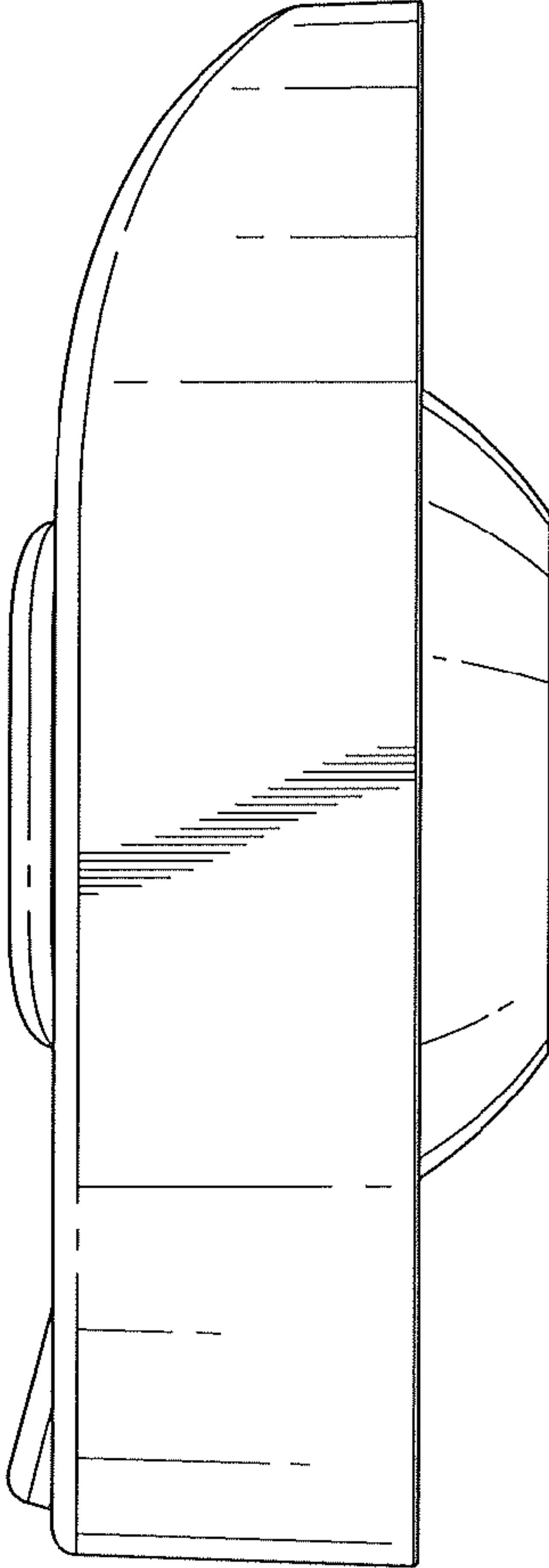


FIG. 14