



US00D740432S

(12) **United States Design Patent**  
**Wu**

(10) **Patent No.:** **US D740,432 S**

(45) **Date of Patent:** **\*\* Oct. 6, 2015**

(54) **MESSAGE TOOL**

(71) Applicant: **Azuni International Co., Ltd.**, Taichung (TW)

(72) Inventor: **Li-Lan Wu**, Taichung (TW)

(73) Assignee: **AZUNI INTERNATIONAL CO., LTD.**, Taichung (TW)

(\*\*) Term: **14 Years**

(21) Appl. No.: **29/513,106**

(22) Filed: **Dec. 26, 2014**

(51) **LOC (10) Cl.** ..... **28-03**

(52) **U.S. Cl.**  
USPC ..... **D24/211**

(58) **Field of Classification Search**  
USPC ..... D24/200, 211, 212, 213, 214, 215;  
601/19, 27-32, 46, 49, 52, DIG. 12,  
601/DIG. 14, DIG. 15, DIG. 16, DIG. 17, 48  
CPC ..... A61H 2201/0153; A61H 2201/0207;  
A61H 2201/0263; A61H 2201/0111; A61H  
2201/1253; A61H 2205/082; A61H 2205/085;  
A61H 15/0085; A61H 19/00; A61H 19/30;  
A61H 19/32; A61H 19/40; A61H 19/44;  
A61H 19/50  
See application file for complete search history.

(56) **References Cited**

**U.S. PATENT DOCUMENTS**

D197,750 S \* 3/1964 Rosenbure ..... D24/211  
D378,968 S \* 4/1997 Martin et al. .... D6/596  
D406,389 S \* 3/1999 Henry ..... D28/7  
D406,676 S \* 3/1999 Henry ..... D28/7  
D504,954 S \* 5/2005 Park ..... D24/215

D694,415 S \* 11/2013 Viner et al. .... D24/213  
D695,364 S \* 12/2013 Khalil ..... D21/662  
D716,962 S \* 11/2014 Viner et al. .... D24/215  
D732,181 S \* 6/2015 Viner et al. .... D24/211  
D732,182 S \* 6/2015 Viner et al. .... D24/212  
2009/0298656 A1\* 12/2009 Dannenberg ..... 482/141

\* cited by examiner

*Primary Examiner* — Sandra Snapp

(74) *Attorney, Agent, or Firm* — Muncy, Geissler, Olds & Lowe, P.C.

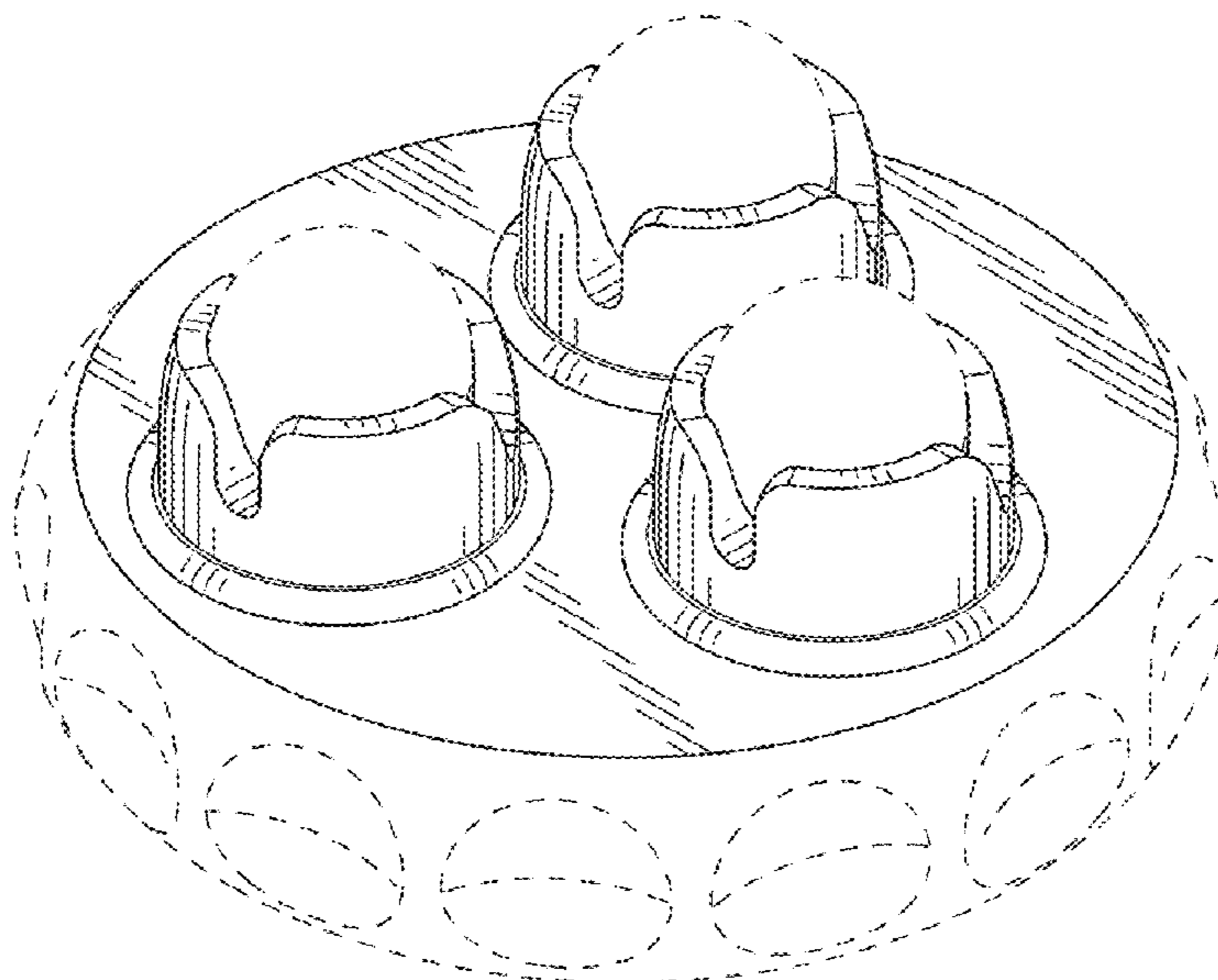
(57) **CLAIM**

I claim the ornamental design for a massage tool, as shown and described.

**DESCRIPTION**

FIG. 1 is a perspective view of a massage tool showing my new design;  
FIG. 2 is a front elevational view thereof;  
FIG. 3 is a rear elevational view thereof;  
FIG. 4 is a left side view thereof;  
FIG. 5 is a right side view thereof;  
FIG. 6 is a top plan view thereof;  
FIG. 7 is a bottom plan view thereof; and,  
FIG. 8 is a perspective view showing the massage tool in use;  
FIG. 9 is a left side view showing the massage tool in use; and,  
FIG. 10 is a cross-sectional view of the massage tool, taken along line A-A in FIG. 6 thereof.  
The features shown in broken lines depict environmental structure only and form no part of the claimed design.  
A dot-dashed line in FIG. 10 defines the boundary of claimed and unclaimed objects, and the dot-dashed line forms no part of the claimed design.

**1 Claim, 6 Drawing Sheets**



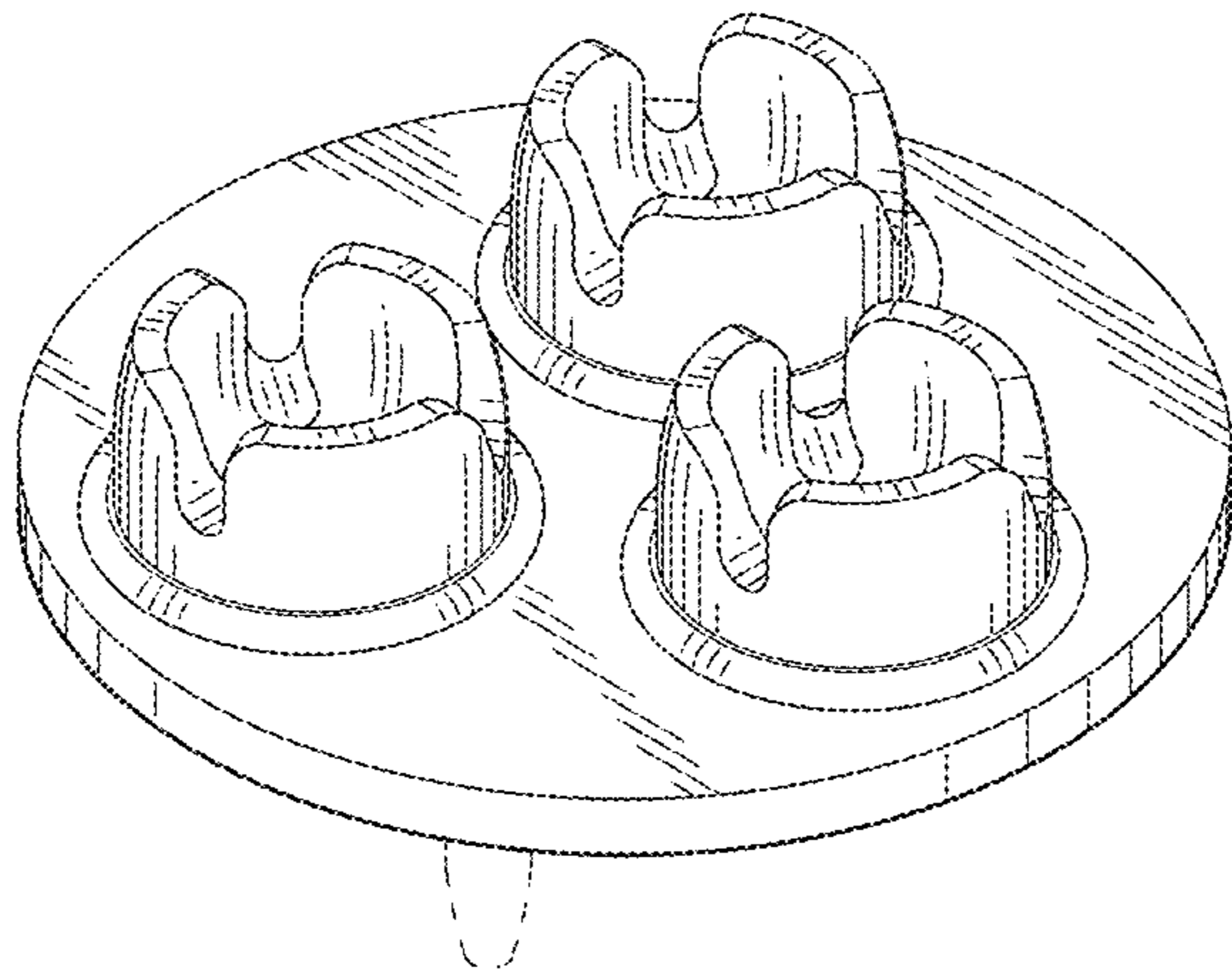


FIG. 1

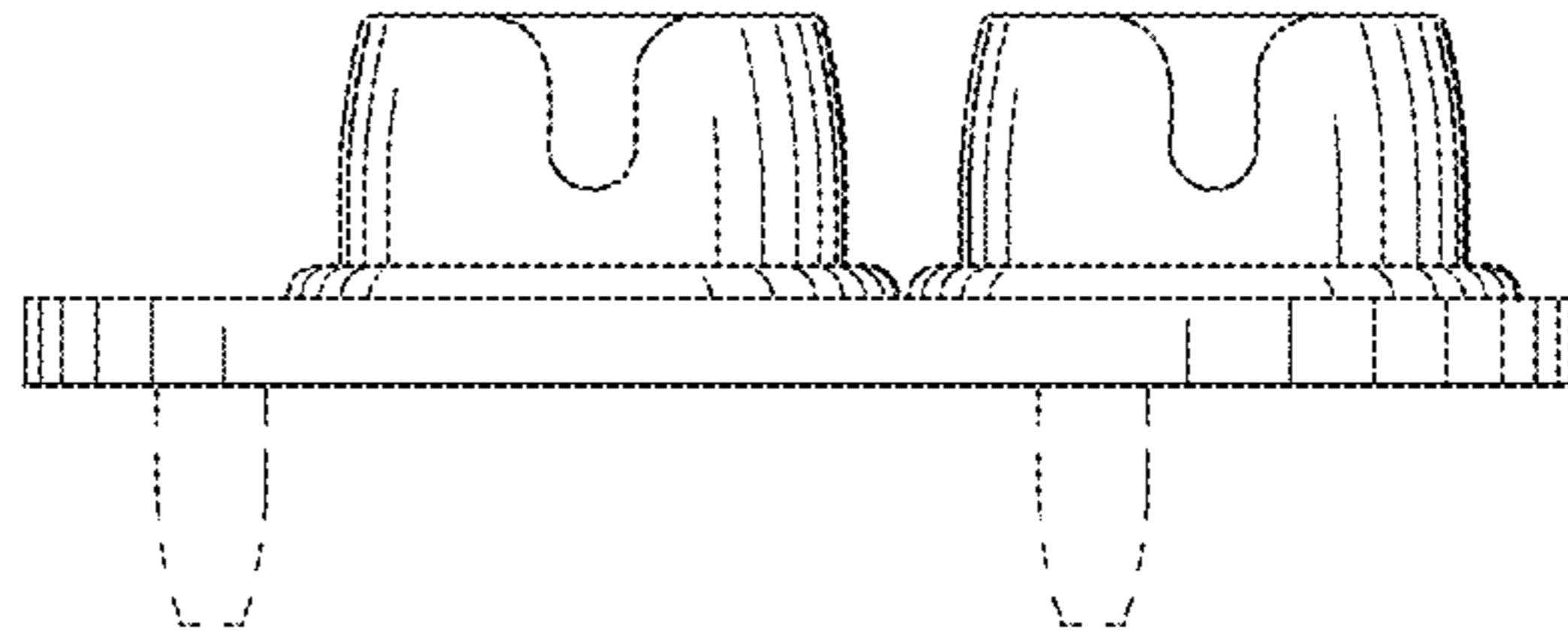


FIG. 2

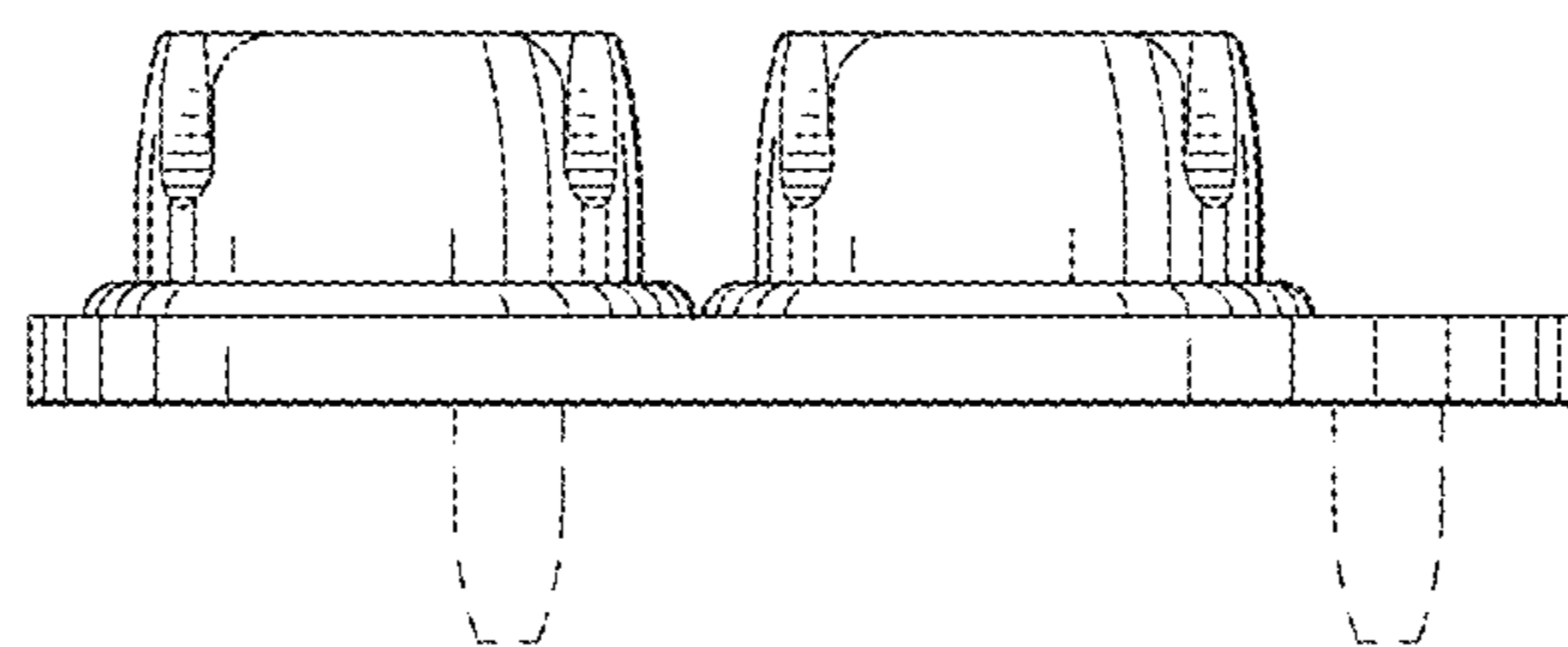


FIG. 3

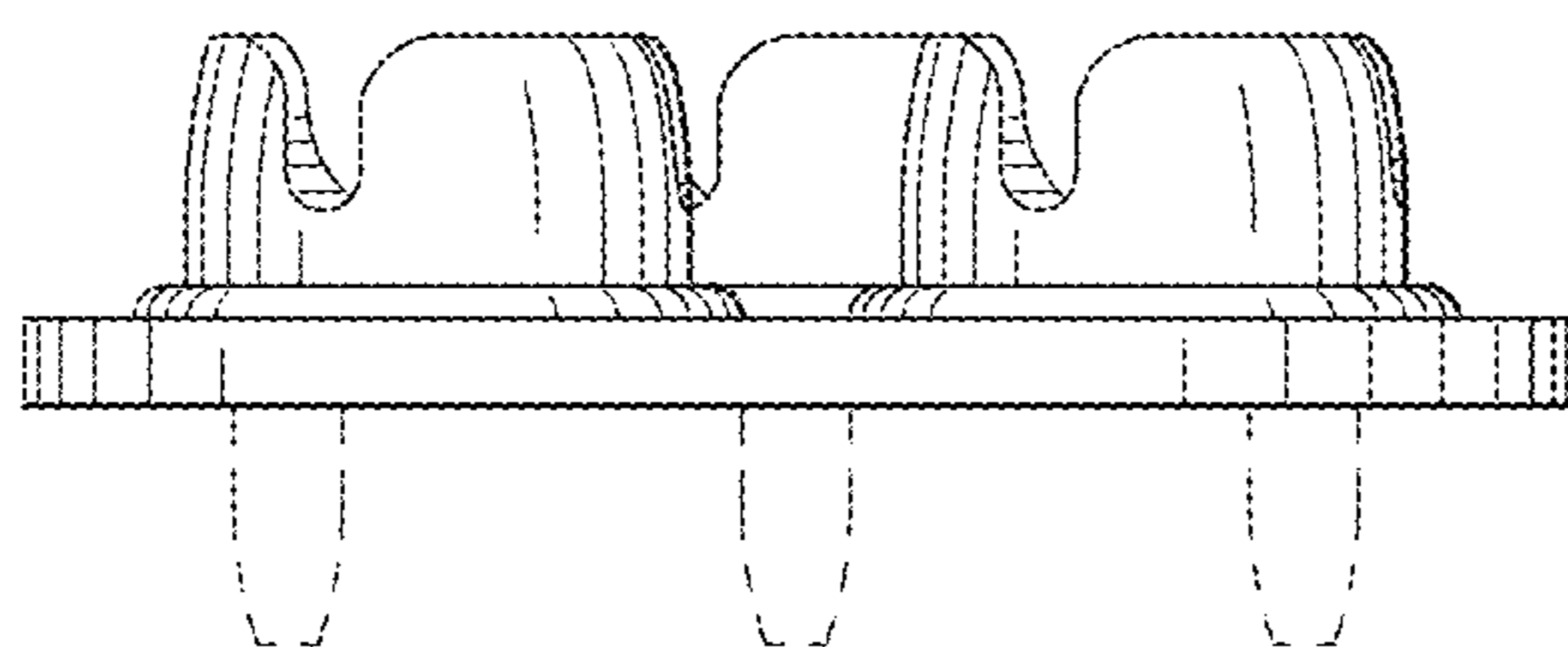


FIG. 4

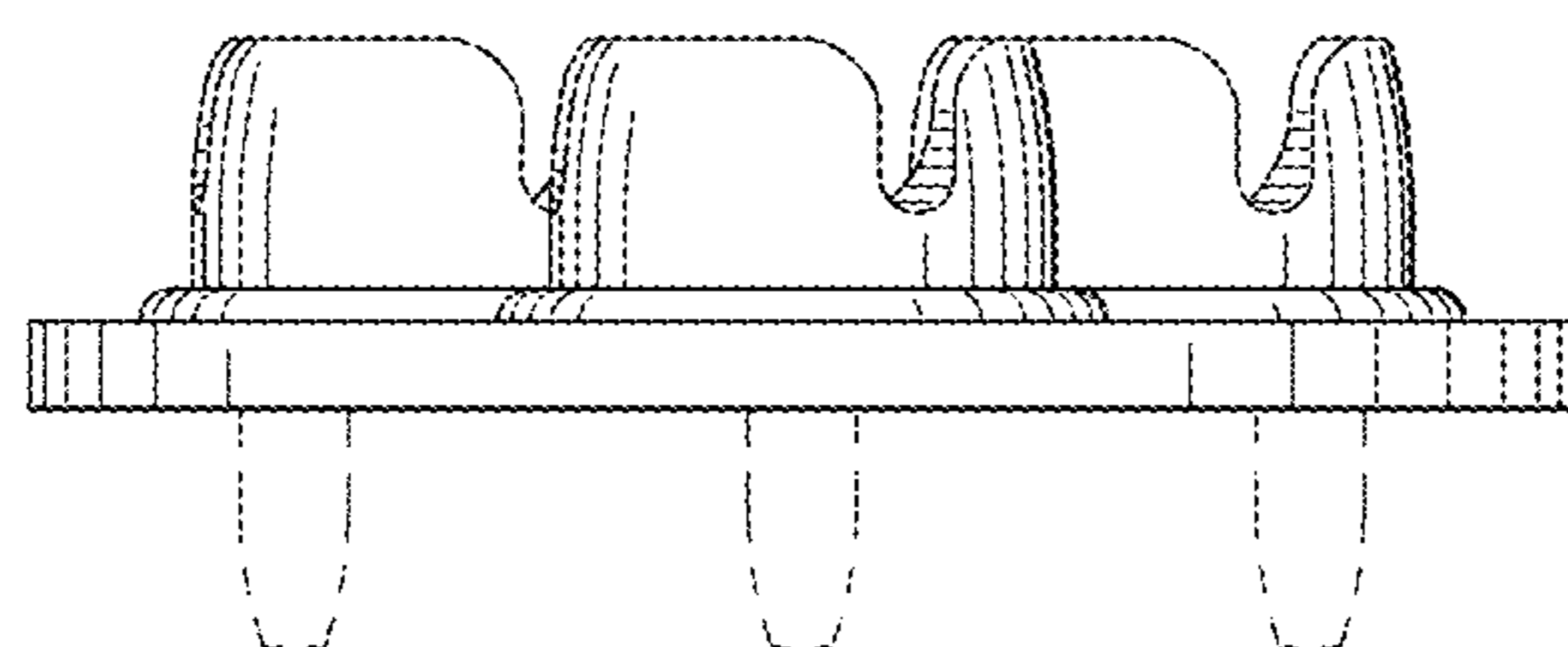


FIG. 5

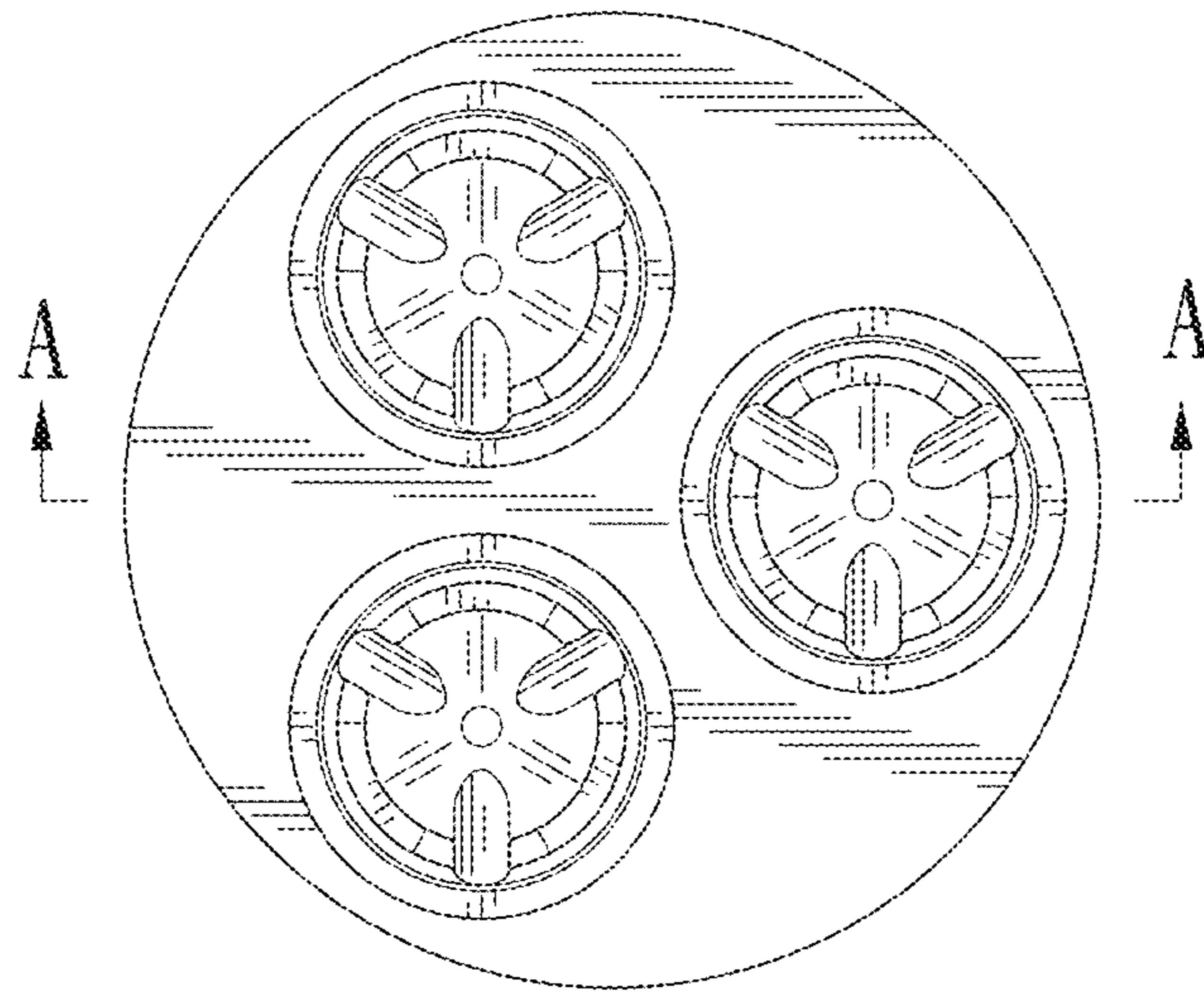


FIG. 6

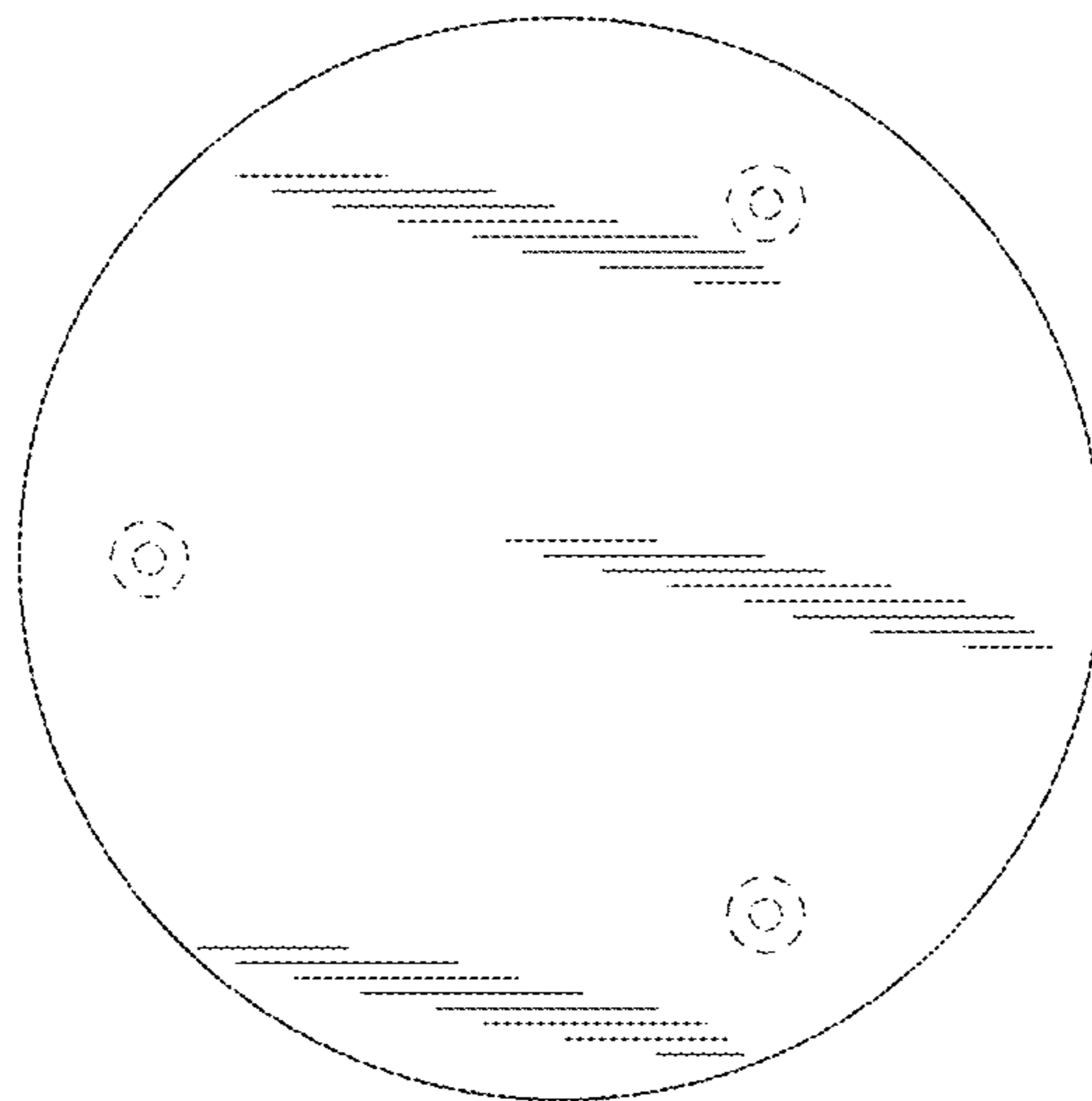


FIG. 7

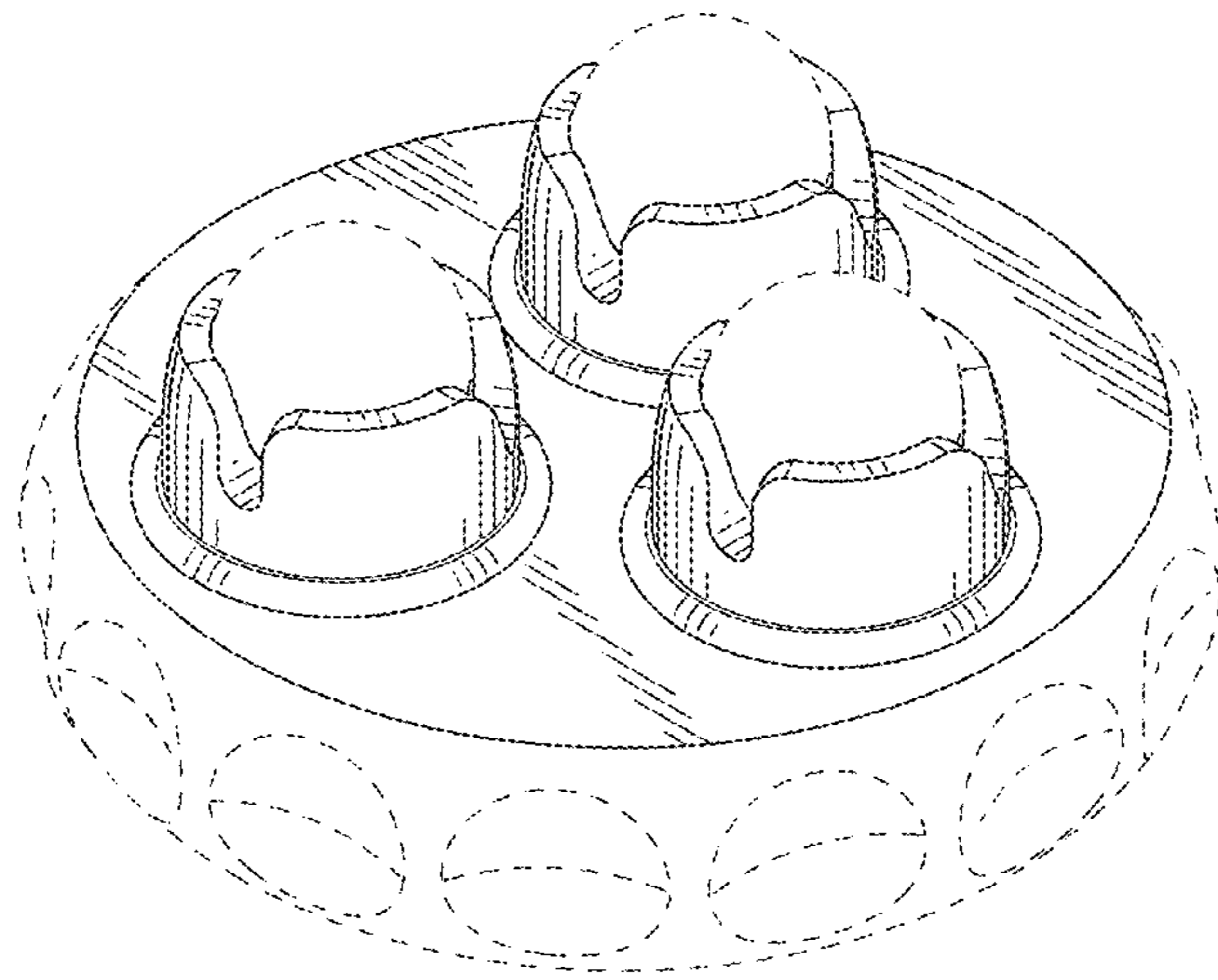


FIG. 8

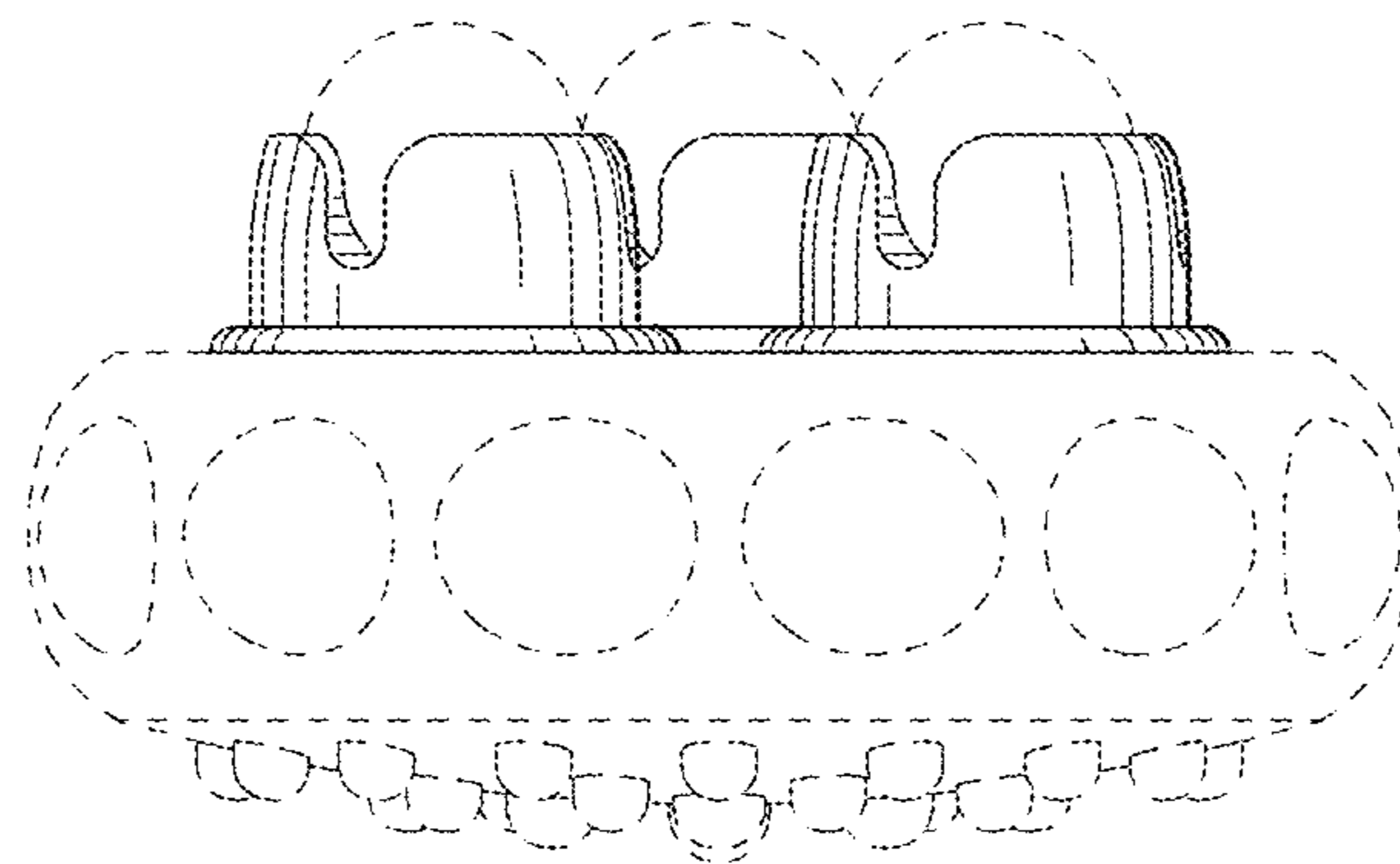


FIG. 9

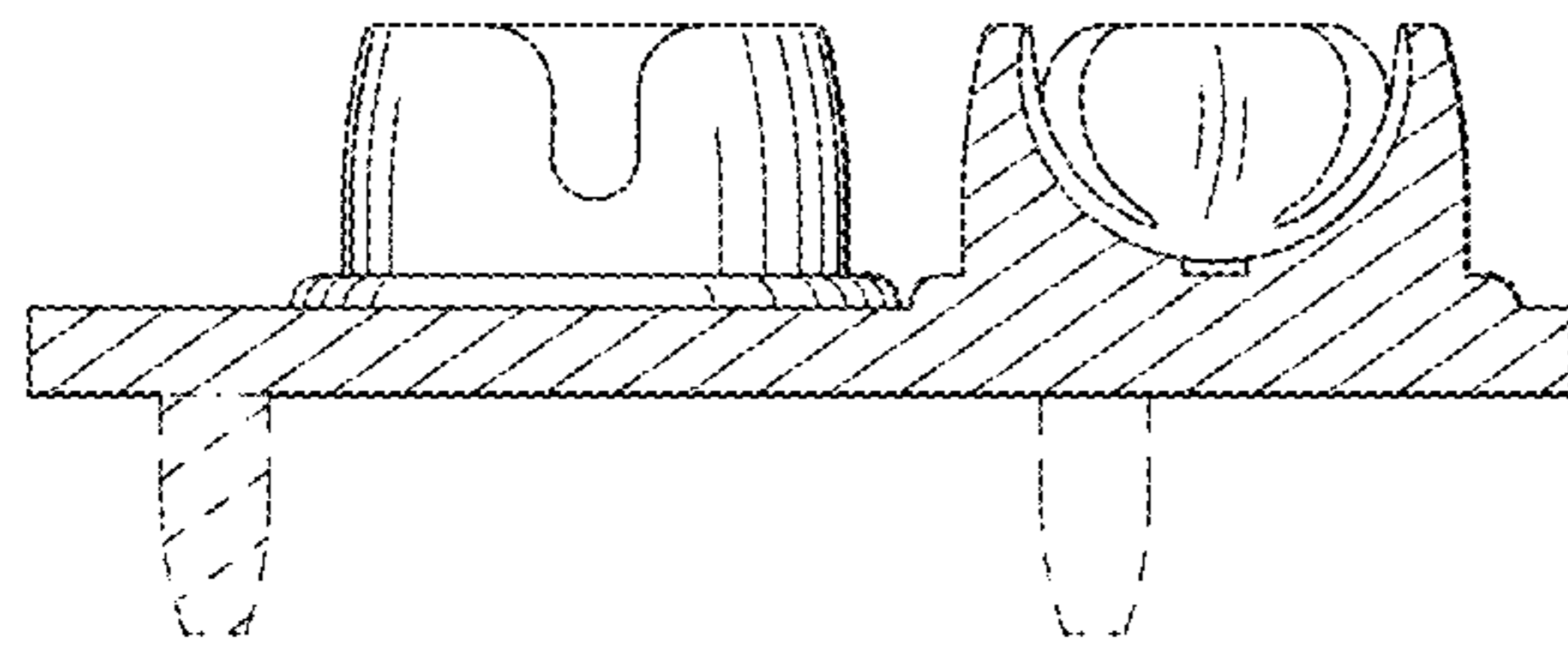


FIG. 10