



US00D740430S

(12) **United States Design Patent**
Oates, II et al.

(10) **Patent No.:** **US D740,430 S**
(45) **Date of Patent:** **** Oct. 6, 2015**

(54) **FLUID DISPENSING PACIFIER**
(71) Applicant: **PEDIA SOLUTIONS LLC**, San Diego, CA (US)
(72) Inventors: **Robert Bradley Oates, II**, San Diego, CA (US); **Brian Paul Brock**, Tempe, AZ (US)
(73) Assignee: **Pedia Solutions, LLC**, San Diego, CA (US)

4,921,137 A 5/1990 Heijenga
5,013,321 A 5/1991 MacVane
D334,064 S * 3/1993 Fitzpatrick D24/194
5,242,422 A 9/1993 Schneberger et al.

(Continued)

FOREIGN PATENT DOCUMENTS

JP 11-100050 A 4/1999
WO WO 02/22073 3/2002

(Continued)

OTHER PUBLICATIONS

US Office Action for U.S. Appl. No. 14/250,734, dated Apr. 16, 2015, 17 pages.

(Continued)

(**) Term: **14 Years**
(21) Appl. No.: **29/468,330**
(22) Filed: **Sep. 27, 2013**

Related U.S. Application Data

(63) Continuation-in-part of application No. PCT/US2013/037492, filed on Apr. 19, 2013.

(51) **LOC (10) Cl.** **24-04**
(52) **U.S. Cl.**
USPC **D24/194**

(58) **Field of Classification Search**
USPC D30/160; D1/106, 125, 199; 119/707, 119/709; 606/234, 235, 236; D24/193, 194, D24/195, 196, 214, 117, 199; D21/625, D21/627, 659
CPC A61J 17/00; A61J 17/02
See application file for complete search history.

(56) **References Cited**

U.S. PATENT DOCUMENTS

3,353,714 A 11/1967 Trecek
3,862,684 A 1/1975 Schmitt
3,993,223 A 11/1976 Brady et al.
4,358,028 A 11/1982 Chiquiar-Arias
4,493,324 A 1/1985 Johnston
4,869,720 A 9/1989 Chernack
4,903,698 A 2/1990 Huber et al.

Primary Examiner — Robert M Spear
Assistant Examiner — Kendra L Hamilton
(74) *Attorney, Agent, or Firm* — Foley & Lardner LLP

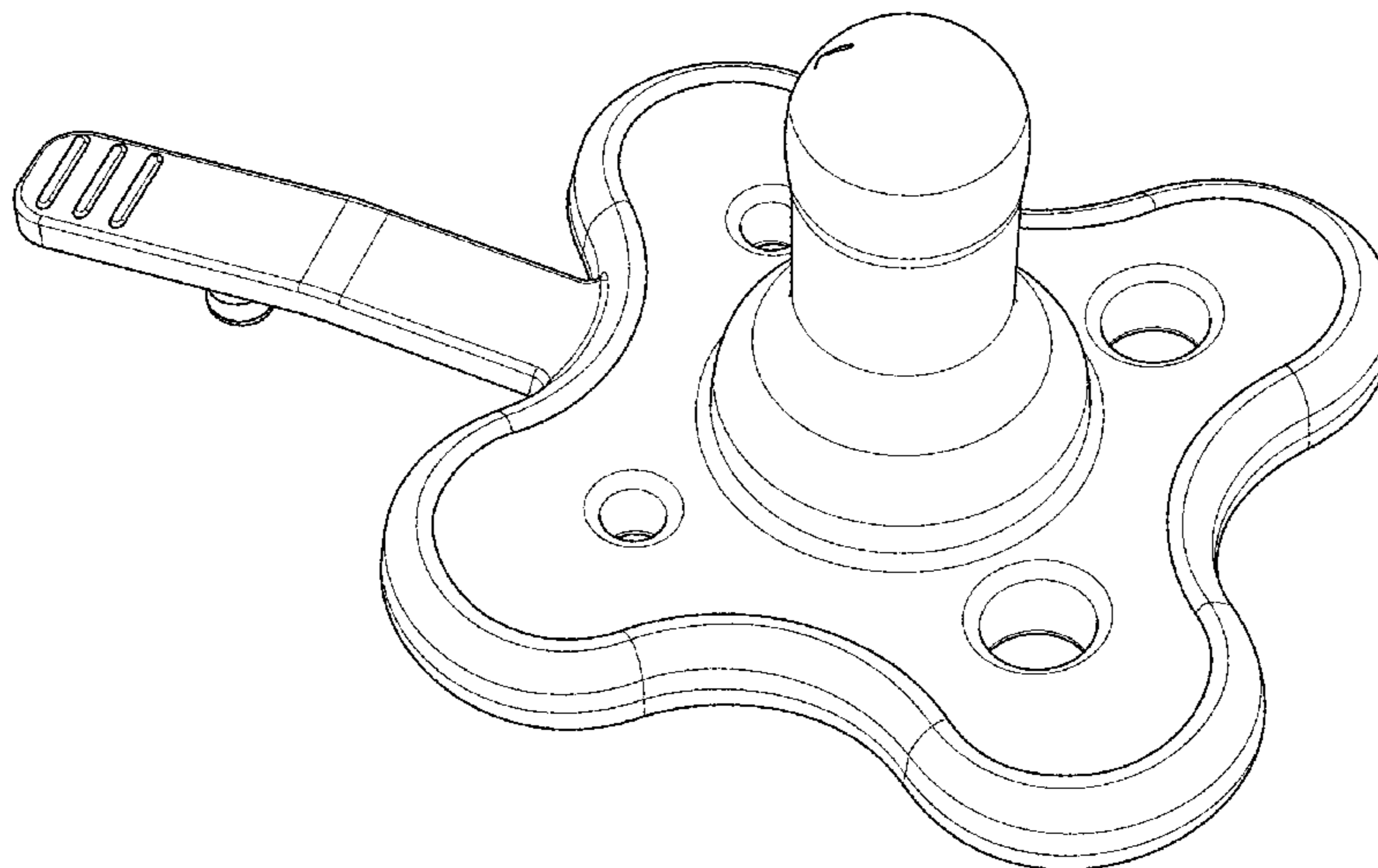
(57) **CLAIM**

We claim the ornamental design for a fluid dispensing pacifier, as shown and described.

DESCRIPTION

FIG. 1 is a top, front, and left side perspective view of a fluid dispensing pacifier;
FIG. 2 is a bottom, rear, and right side perspective view thereof;
FIG. 3 is a front view thereof;
FIG. 4 is a rear view thereof;
FIG. 5 is a right side view thereof;
FIG. 6 is a left side view thereof;
FIG. 7 is a top view thereof; and,
FIG. 8 is a bottom view thereof.
The broken lines represent portions of the fluid dispensing pacifier that form no part of the claimed design.

1 Claim, 8 Drawing Sheets



(56)

References Cited

U.S. PATENT DOCUMENTS

5,354,274 A 10/1994 Demeter et al.
 5,512,047 A 4/1996 Dvorak
 5,582,330 A 12/1996 Iba
 5,601,605 A 2/1997 Crowe et al.
 5,620,462 A 4/1997 Valenti
 5,772,685 A 6/1998 Crowe et al.
 5,827,233 A 10/1998 Futagawa et al.
 5,830,193 A 11/1998 Higashikawa
 5,843,030 A 12/1998 Van Der Merwe
 5,868,131 A 2/1999 Murchie
 5,899,883 A 5/1999 Chern et al.
 6,110,193 A 8/2000 Chen
 6,126,678 A 10/2000 Aaltonen et al.
 6,139,566 A 10/2000 Bennett
 6,241,124 B1 6/2001 Hoyt
 6,360,916 B1 3/2002 Sokolsky et al.
 6,454,788 B1 9/2002 Ashton
 6,695,869 B2 2/2004 Fitzpatrick et al.
 6,702,462 B2 3/2004 Richardson
 7,032,590 B2 4/2006 Loeffler et al.
 D558,354 S * 12/2007 Roehrig D24/194
 D574,963 S * 8/2008 Kliegman et al. D24/194
 7,753,886 B2 7/2010 Vath et al.
 D626,653 S * 11/2010 Roehrig et al. D24/194
 D636,496 S * 4/2011 Roehrig et al. D24/194

8,118,773 B2 2/2012 Stewart
 8,133,259 B2 * 3/2012 Roehrig et al. 606/234
 D686,331 S * 7/2013 Dussere D24/194
 8,622,213 B2 1/2014 Lynn et al.
 2004/0124168 A1 7/2004 Silver
 2005/0125038 A1 6/2005 Inbar et al.
 2006/0169664 A1 8/2006 Miller et al.
 2006/0201967 A1 9/2006 Romer
 2007/0164045 A1 7/2007 Wydler et al.
 2009/0182308 A1 7/2009 Hagbi
 2010/0147885 A1 6/2010 Braxton et al.
 2010/0258589 A1 10/2010 Smith et al.
 2010/0270330 A1 10/2010 Caldwell et al.
 2011/0046671 A1 2/2011 Okoturo
 2011/0166476 A1 7/2011 Crawford et al.
 2011/0240587 A1 10/2011 Cohn

FOREIGN PATENT DOCUMENTS

WO WO 03/013419 2/2003
 WO WO 2009/033202 3/2009
 WO WO-2013/159073 10/2013

OTHER PUBLICATIONS

International Search Report and Written Opinion dated Mar. 12, 2015
 in PCT Application Serial No. PCT/US2014/062274, 21 pages.

* cited by examiner

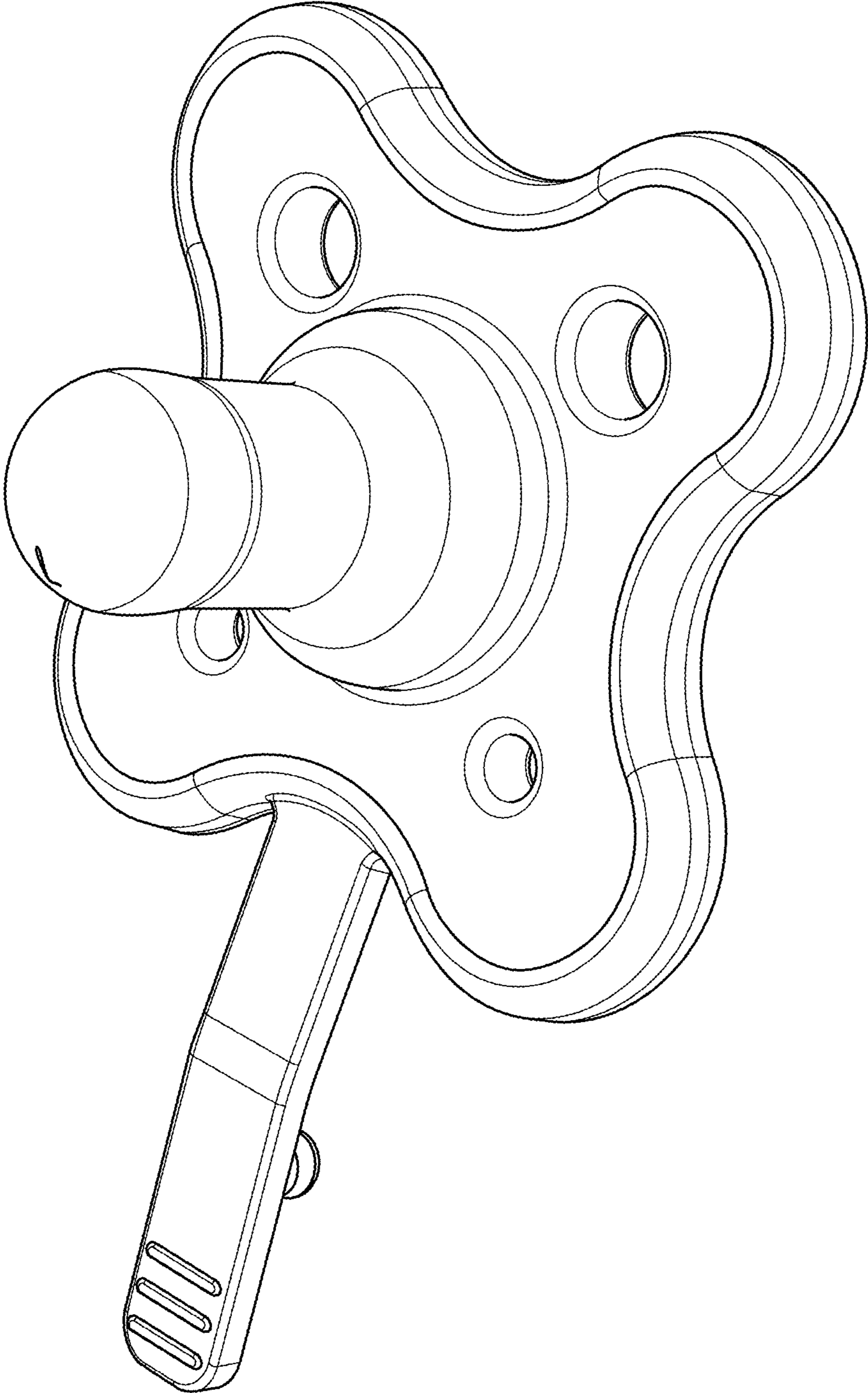


FIG. 1

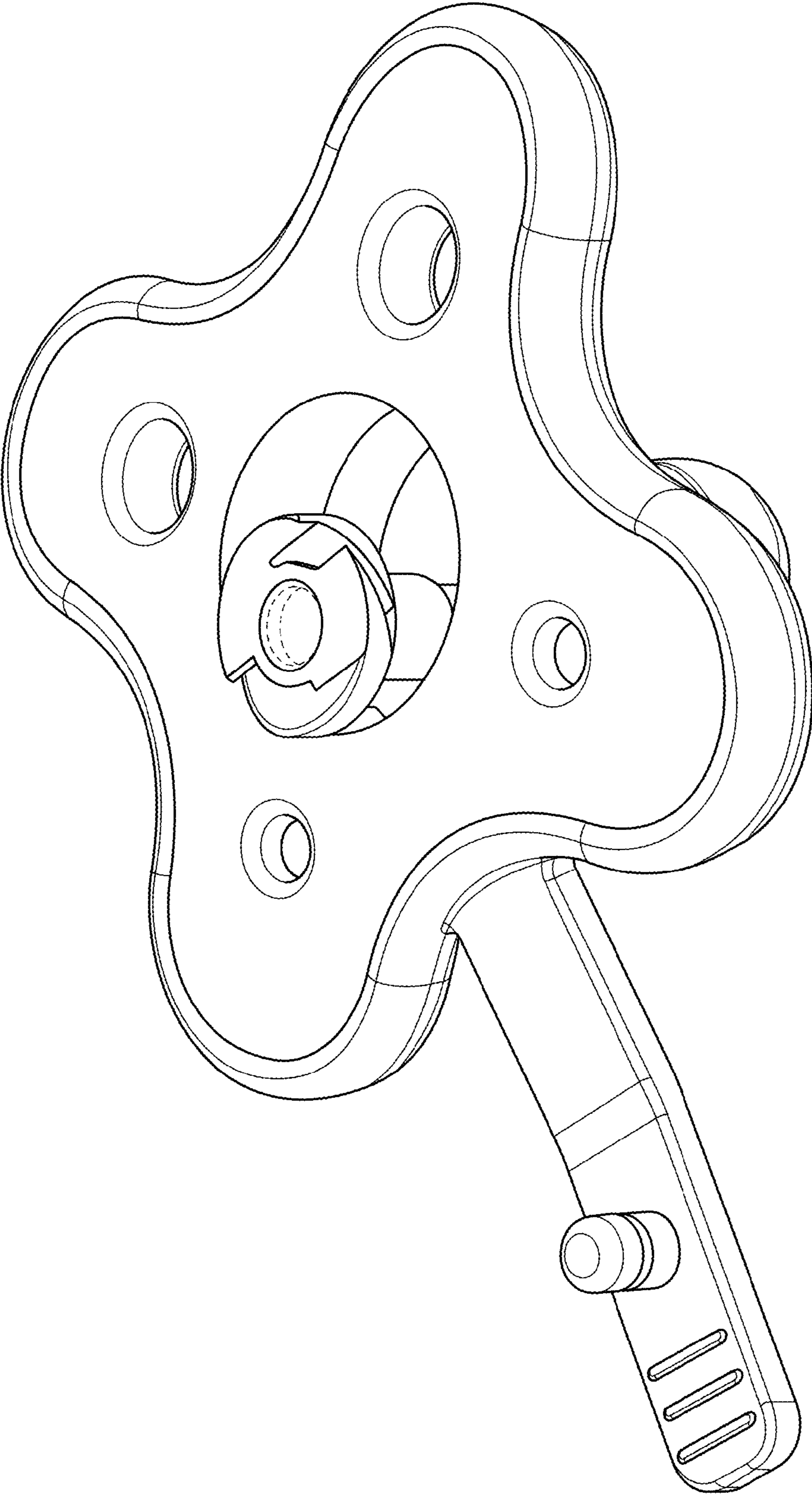


FIG. 2

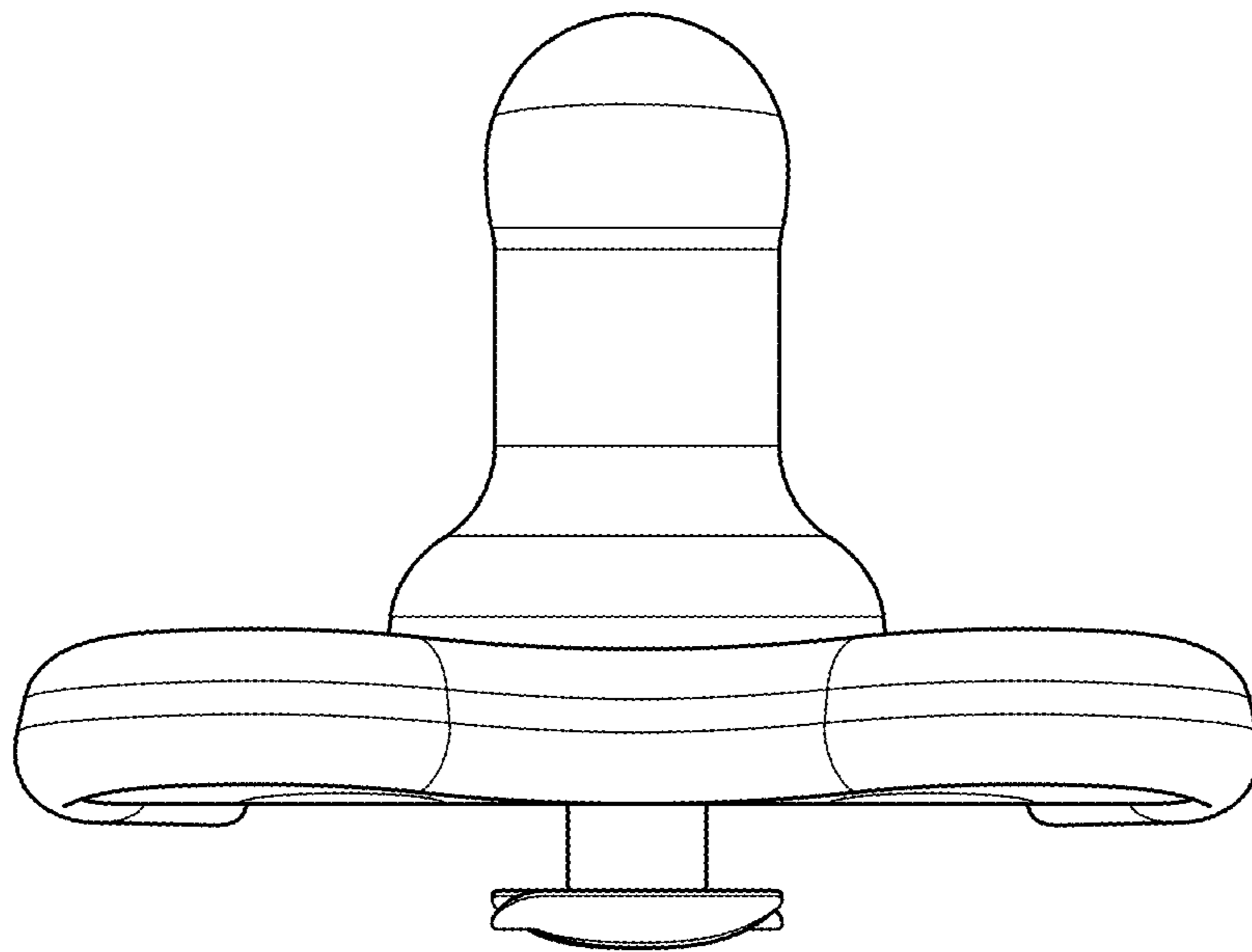


FIG. 3

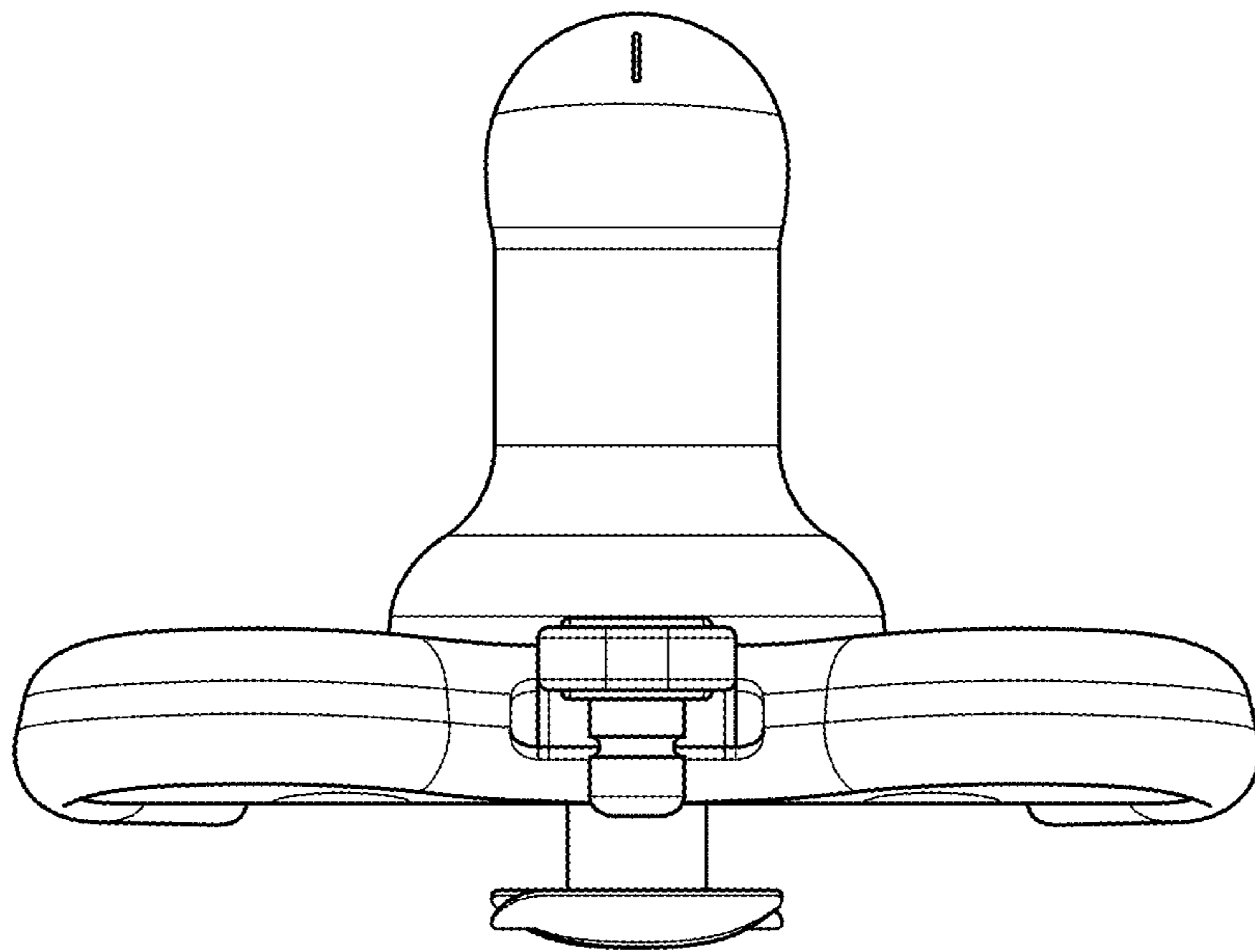


FIG. 4

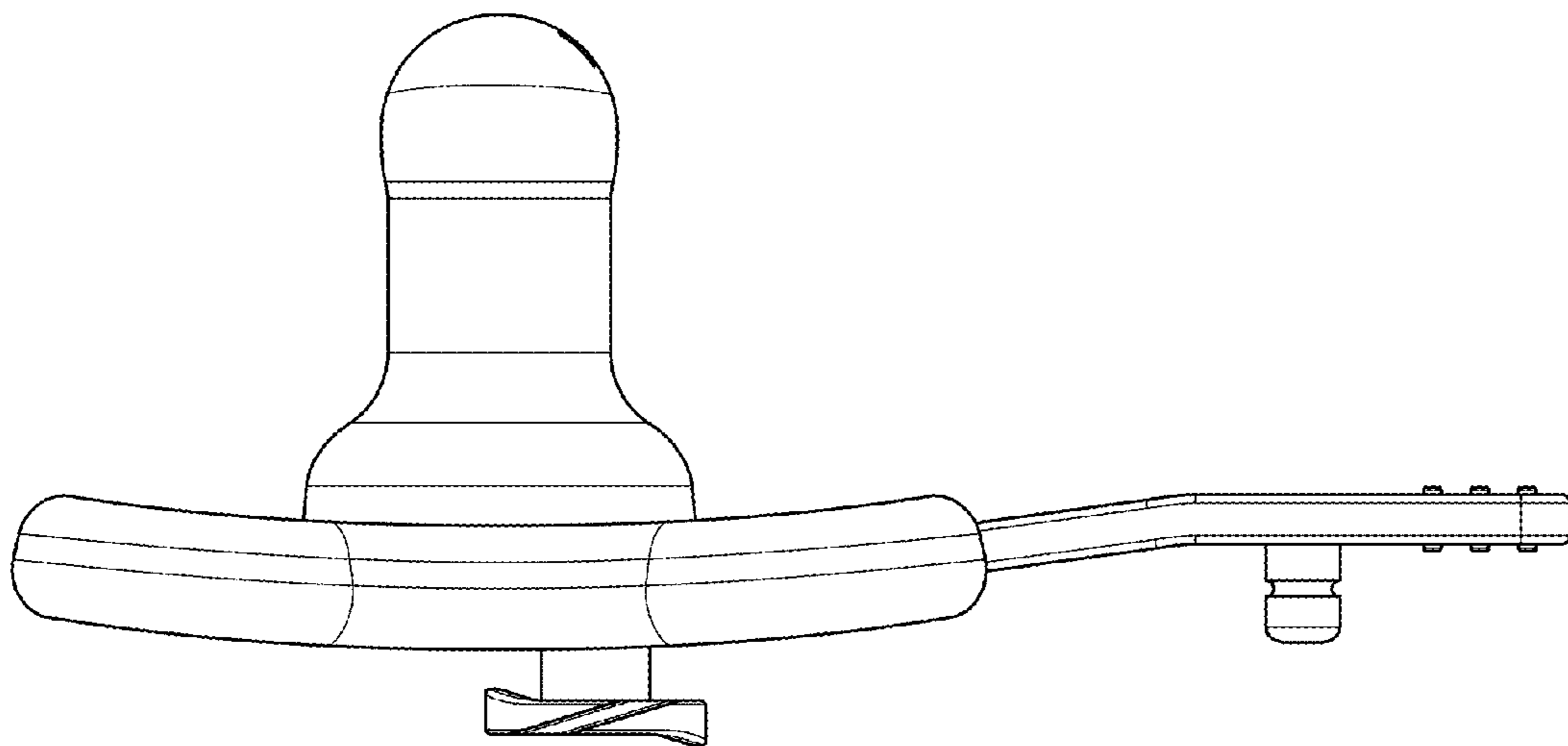


FIG. 5

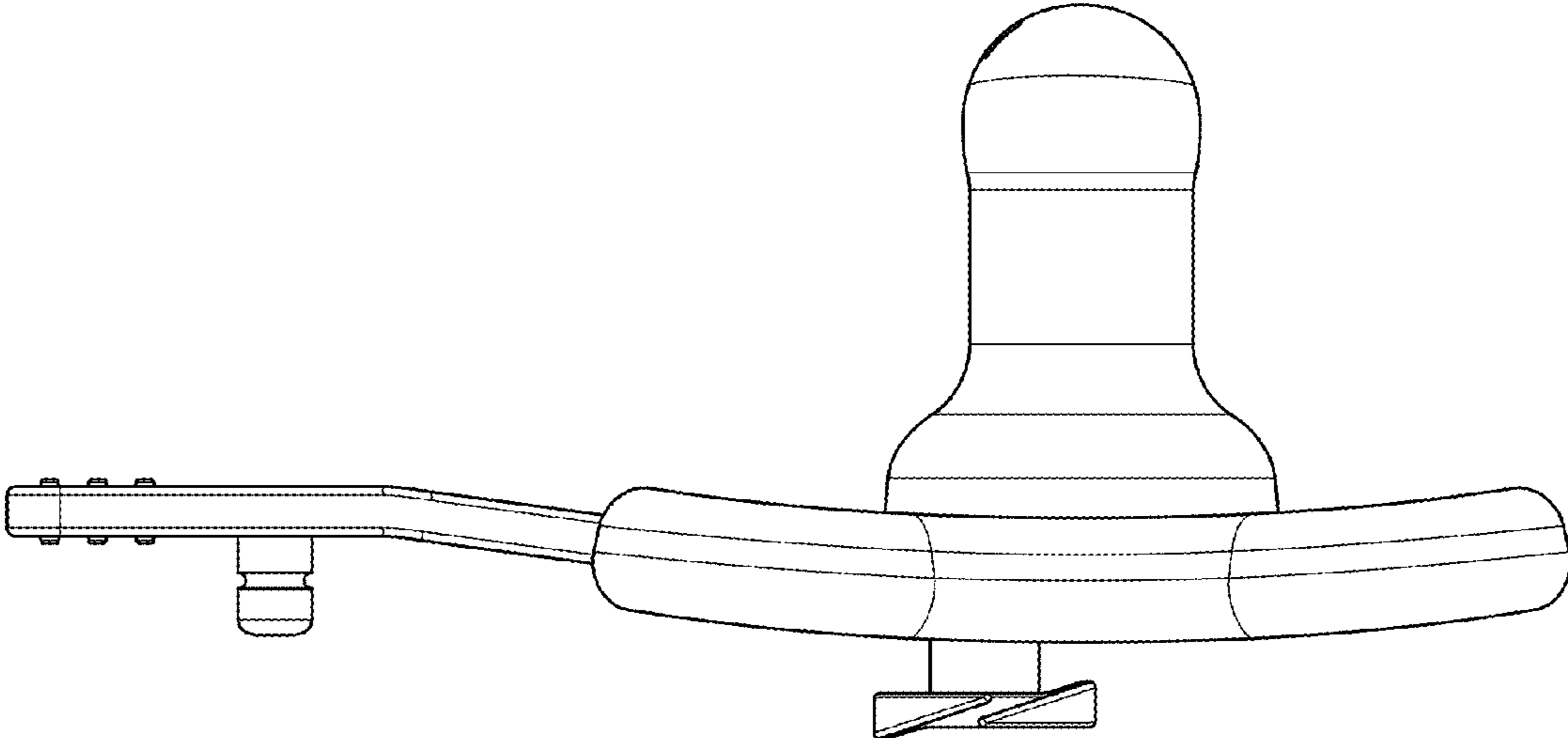


FIG. 6

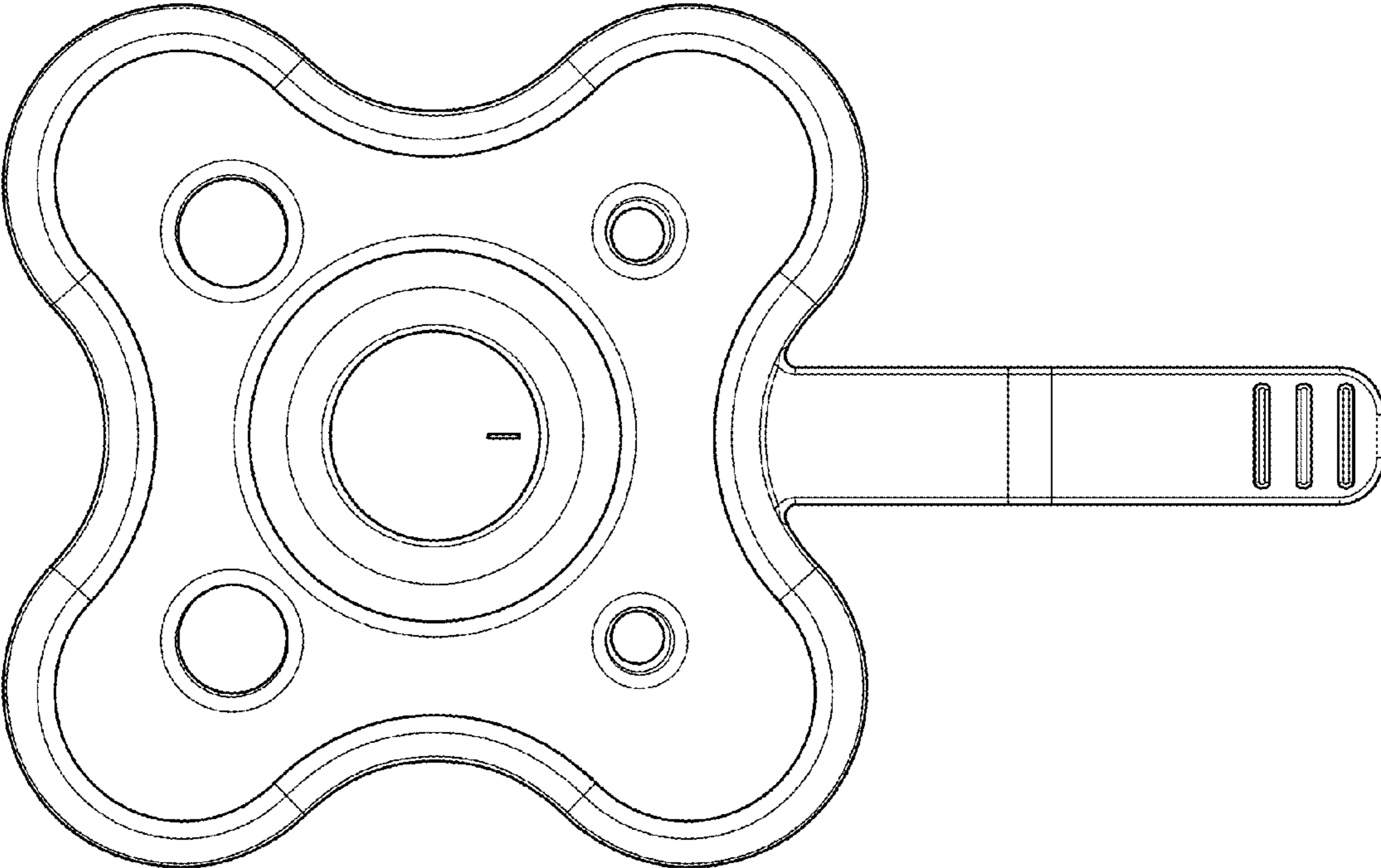


FIG. 7

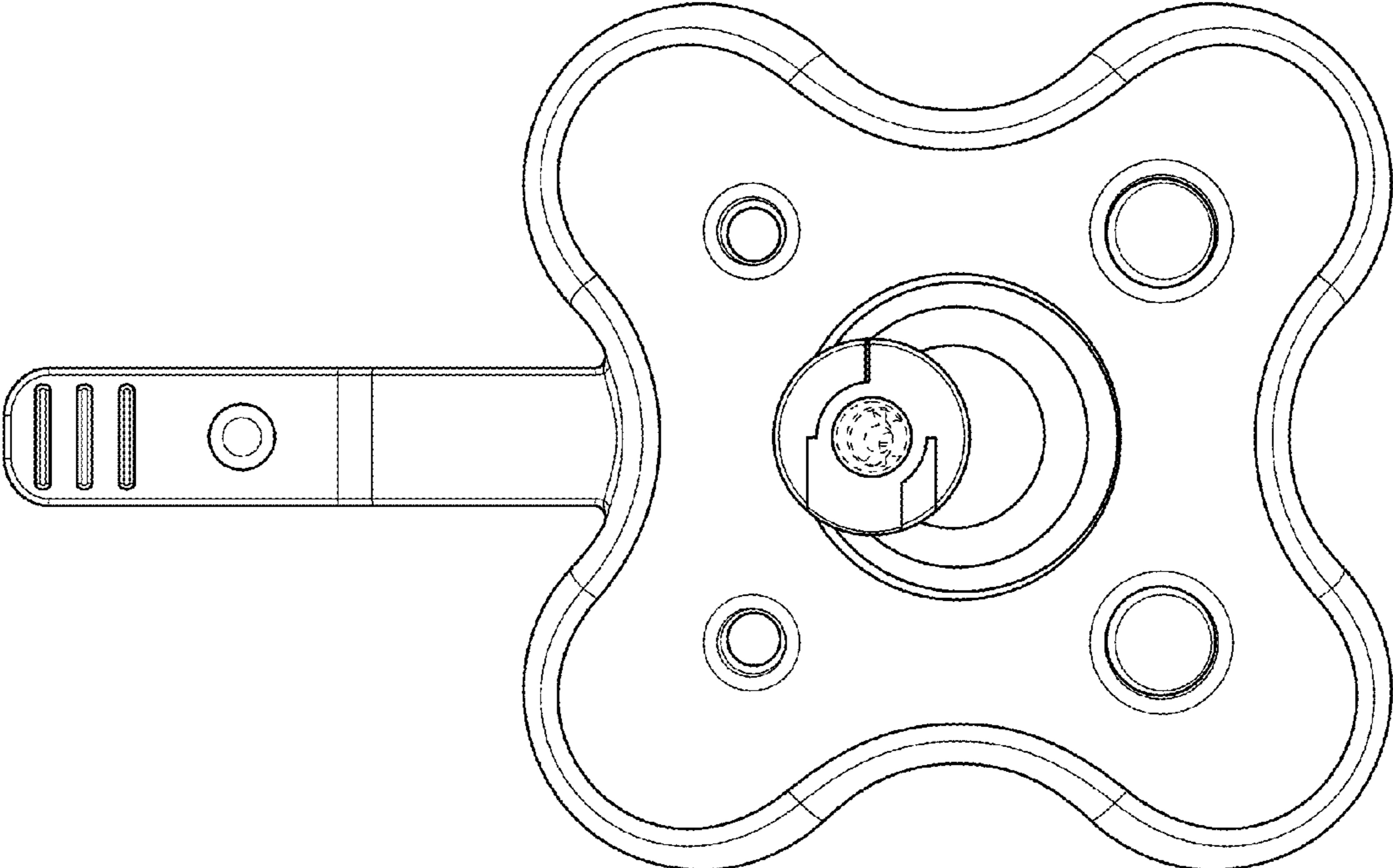


FIG. 8