

US00D740426S

(12) **United States Design Patent**  
**Lin et al.**

(10) **Patent No.:** **US D740,426 S**  
(45) **Date of Patent:** **\*\* Oct. 6, 2015**

(54) **FLUID CARTRIDGE**

(71) Applicant: **EDAN Diagnostics**, San Diego, CA  
(US)

(72) Inventors: **Chao Lin**, San Diego, CA (US); **Paul David Swanson**, Santee, CA (US); **Zhixiang Jason Zhao**, Plainsboro, NJ (US)

(73) Assignee: **EDAN DIAGNOSTICS**, San Diego, CA (US)

(\*\*) Term: **14 Years**

(21) Appl. No.: **29/504,942**

(22) Filed: **Oct. 10, 2014**

**Related U.S. Application Data**

(62) Division of application No. 29/437,043, filed on Nov. 12, 2012, now Pat. No. Des. 717,438.

(51) **LOC (10) Cl.** ..... **24-00**

(52) **U.S. Cl.**  
USPC ..... **D24/162**

(58) **Field of Classification Search**  
USPC ..... D24/137, 138, 140, 150, 157, 224, 225, D24/160, 162, 166, 172, 174, 177, 183, 185, D24/186, 199, 216, 277, 230, 231, 232, 234, D24/454; 210/808, 232, 239; 206/223; 435/806, 7.1; 436/8, 65, 814; 422/543, 422/538, 537, 500, 554; 222/144.5, 207; 347/86

See application file for complete search history.

(56) **References Cited**

**U.S. PATENT DOCUMENTS**

D239,881 S 5/1976 Morgan et al.  
4,341,538 A 7/1982 Vadnay et al.  
D267,037 S 11/1982 Spranger et al.  
D282,282 S 1/1986 Chernack

D288,478 S 2/1987 Carlson et al.  
D307,324 S 4/1990 Unger et al.  
D312,695 S 12/1990 Unger et al.

(Continued)

**OTHER PUBLICATIONS**

Notice of Allowance issued in related U.S. Appl. No. 13/707,513, dated Nov. 17, 2014.

(Continued)

*Primary Examiner* — Holly Baynham

*Assistant Examiner* — Rhea Shields

(74) *Attorney, Agent, or Firm* — Gilberto M. Villacorta; Karl F. Reichenberger; Foley & Lardner LLP

(57) **CLAIM**

We claim the ornamental design for a fluid cartridge, as shown and described.

**DESCRIPTION**

FIG. 1 is a top, front, right perspective view of an embodiment of the claimed design;

FIG. 2 is a top, rear, left perspective view thereof;

FIG. 3 is a front elevation view thereof;

FIG. 4 is a rear elevation view thereof;

FIG. 5 is a bottom plan view thereof;

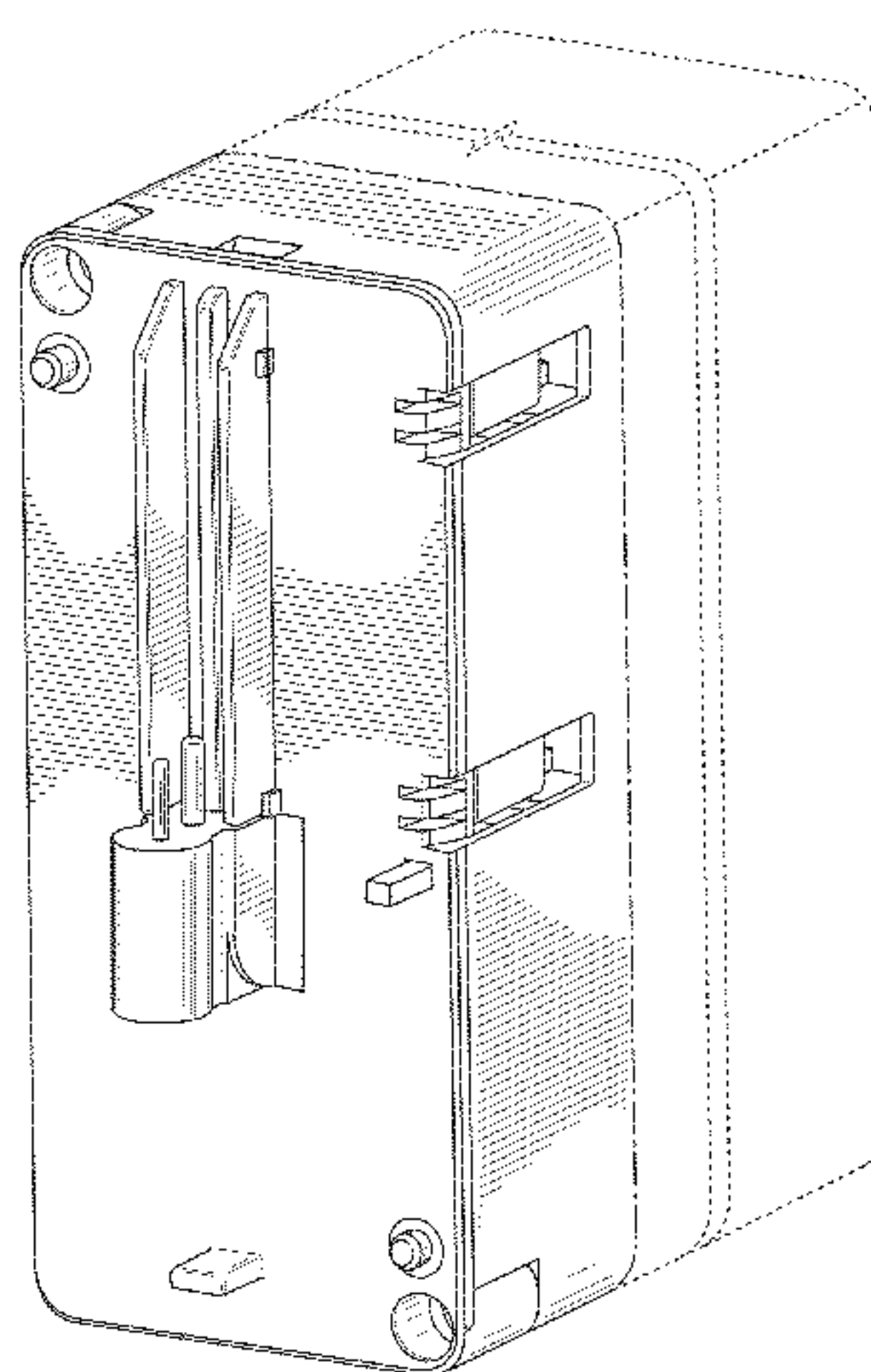
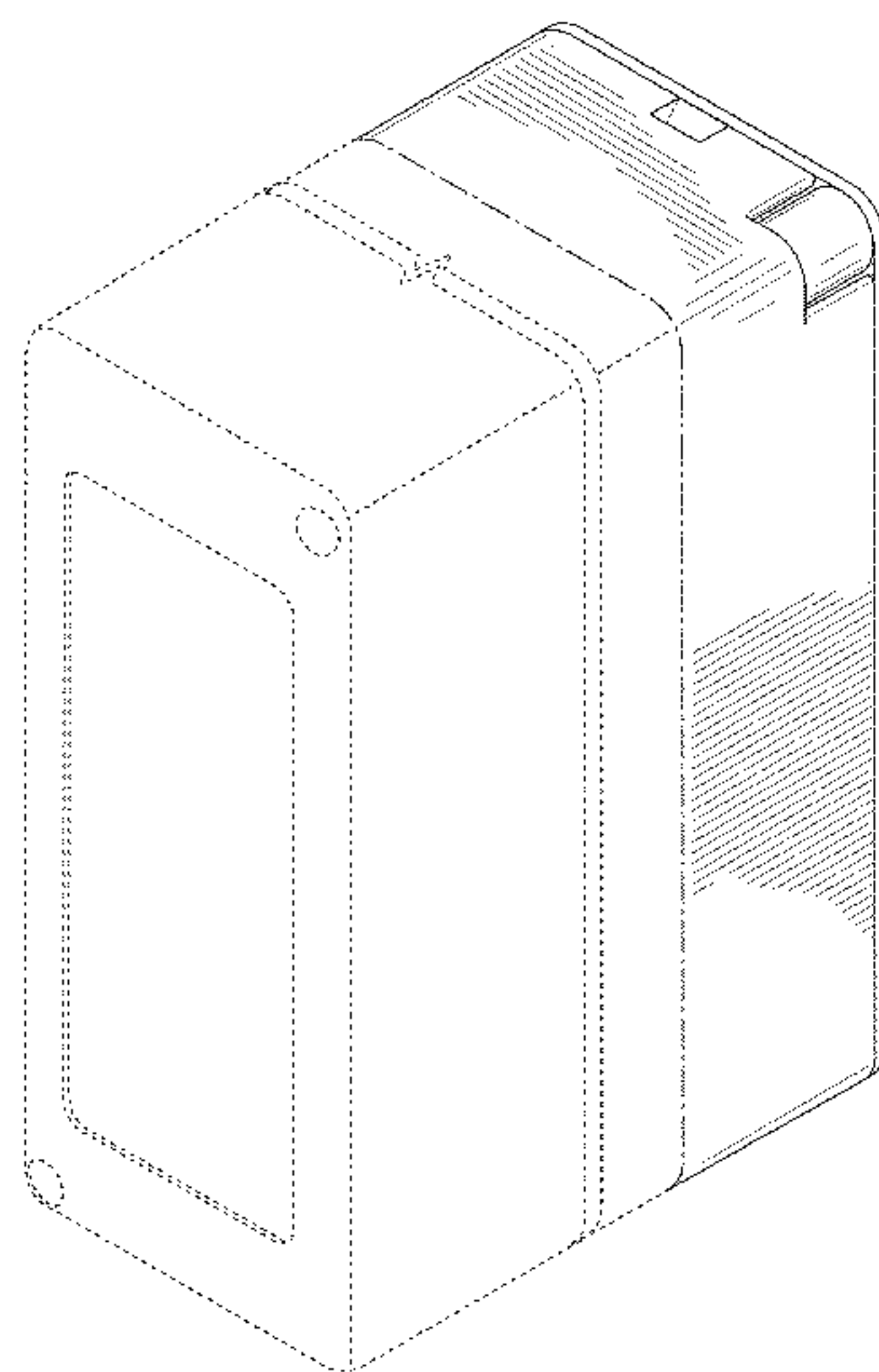
FIG. 6 is a top plan view thereof;

FIG. 7 is a right elevation view thereof; and,

FIG. 8 is a left elevation view thereof.

The ornamental design which is claimed is shown in solid lines in the drawings. The broken lines in the drawings are for purposes of illustrating unclaimed portions of the design. Broken lines formed by equal length dashes show unclaimed portions of the design. Broken lines formed of unequal length dashes (i.e., dash-dot) show boundaries between claimed and unclaimed portions of the design. Symbolic break lines having a jagged element show that the no particular length of the portion is claimed, such lines and any portion of the article between such lines forming no part of the claimed design.

**1 Claim, 8 Drawing Sheets**



(56)

References Cited

U.S. PATENT DOCUMENTS

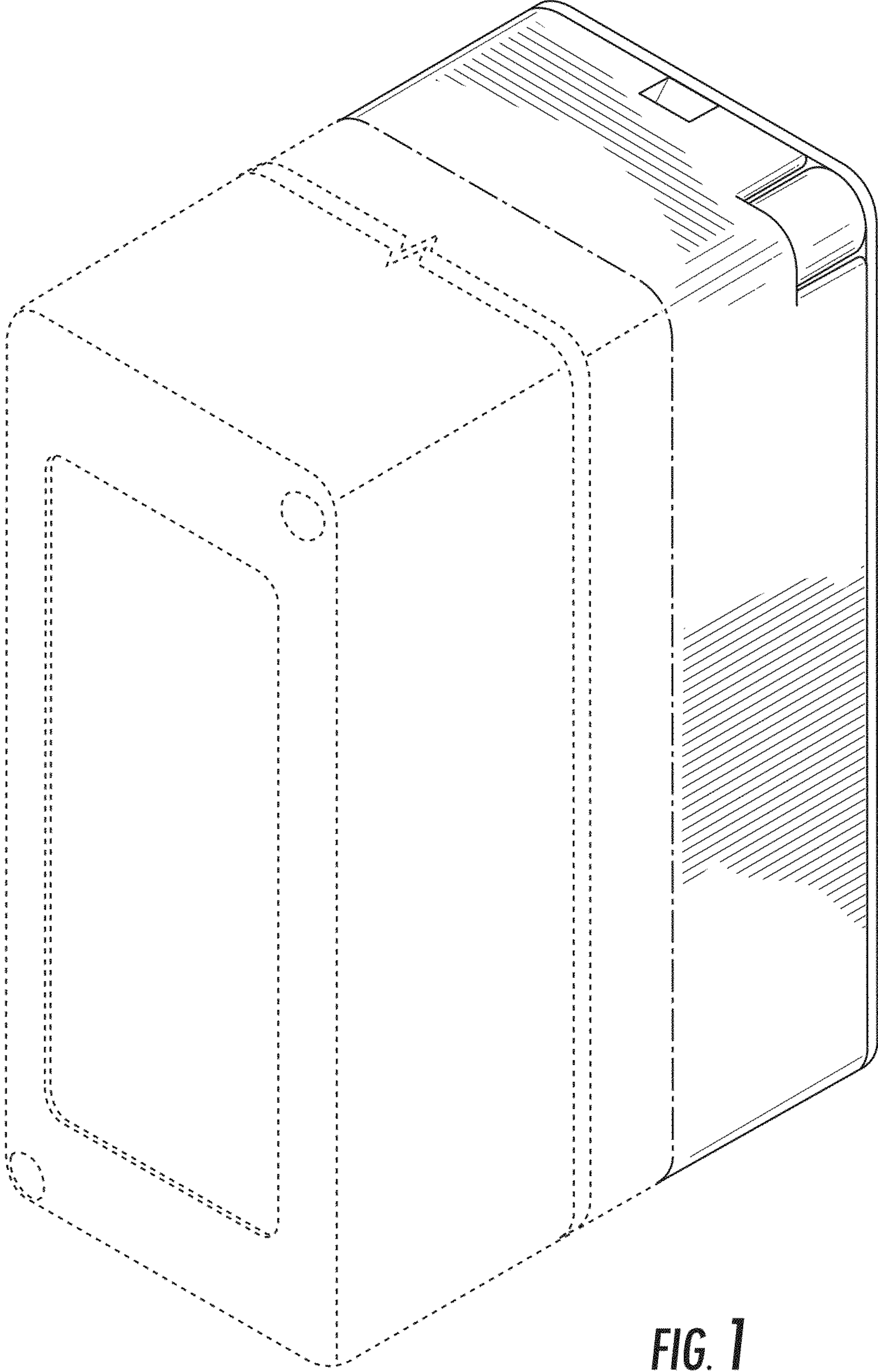
D314,435 S 2/1991 Unger et al.  
 D319,504 S 8/1991 Sone et al.  
 5,042,691 A \* 8/1991 Maldonado ..... 222/144.5  
 D322,124 S 12/1991 Lichte et al.  
 D328,789 S 8/1992 Kopf  
 D336,514 S 6/1993 Valerio et al.  
 D390,661 S 2/1998 Foggia  
 D404,140 S 1/1999 Meguro  
 D445,509 S \* 7/2001 Berndt et al. .... D24/232  
 D447,569 S 9/2001 Baily et al.  
 D451,602 S 12/2001 Juhlin et al.  
 D467,349 S 12/2002 Niedbala et al.  
 D475,787 S 6/2003 Zia et al.  
 D489,816 S 5/2004 Ross  
 D516,221 S 2/2006 Wohlstadter et al.  
 D597,216 S 7/2009 McGuigan et al.  
 D623,300 S 9/2010 Zimmerman et al.  
 D634,442 S \* 3/2011 Tajima et al. .... D24/232  
 D638,545 S 5/2011 Okawa et al.  
 D647,209 S 10/2011 Muller et al.  
 D657,067 S \* 4/2012 Shibata ..... D24/216  
 D665,917 S 8/2012 TerMaat et al.  
 D675,335 S 1/2013 Feuerabend et al.  
 D681,231 S 4/2013 Steinhauer et al.  
 D694,422 S 11/2013 Cook et al.  
 D705,943 S \* 5/2014 Chang et al. .... D24/216  
 D706,930 S 6/2014 Lin et al.  
 8,741,234 B2 \* 6/2014 Wang et al. .... 422/554  
 8,741,235 B2 \* 6/2014 Janisch et al. .... 422/554  
 D708,749 S 7/2014 Appling et al.  
 2003/0057108 A1 3/2003 Sridharan  
 2003/0073089 A1 4/2003 Mauze et al.  
 2005/0148091 A1 7/2005 Kitaguchi et al.  
 2006/0127275 A1 6/2006 Holl et al.  
 2007/0059204 A1 3/2007 Witty et al.  
 2007/0172388 A1 7/2007 Padmanabhan et al.  
 2008/0153096 A1 6/2008 Witty et al.  
 2009/0065368 A1 3/2009 Davis et al.  
 2010/0273248 A1 10/2010 Ha et al.  
 2010/0328405 A1 \* 12/2010 Ness et al. .... 347/86  
 2011/0086378 A1 4/2011 Shany et al.

2011/0198241 A1 8/2011 Murakami  
 2011/0229373 A1 9/2011 Asakura  
 2011/0287447 A1 \* 11/2011 Norderhaug et al. .... 435/7.1  
 2012/0179101 A1 7/2012 Briones et al.  
 2012/0193376 A1 \* 8/2012 Evans et al. .... 222/207  
 2012/0218740 A1 8/2012 Estes et al.  
 2013/0140177 A1 6/2013 Lin et al.  
 2013/0140179 A1 6/2013 Lin et al.  
 2013/0142709 A1 \* 6/2013 Lin et al. .... 422/538

OTHER PUBLICATIONS

U.S. Appl. No. 29/437,044, filed Nov. 12, 2012, Lin et al.  
 Office Action issued in related U.S. Appl. No. 29/437,044, dated May 21, 2014.  
 International Preliminary Report on Patentability issued in related International Patent Application No. PCT/US2012/068299, dated Jun. 10, 2014.  
 Search Report and Written Opinion for Int'l Appln No. PCT/US2012/068299, mailed Apr. 1, 2013.  
 US Office Action on 104218-0200 mailed Jun. 5, 2013.  
 Non-Final Office Action mailed Jan. 14, 2014, as received in co-pending Design U.S. Appl. No. 29/437,043.  
 Notice of Allowance mailed Jan. 17, 2014, as received in co-pending Design U.S. Appl. No. 29/437,042.  
 Non-Final Office Action mailed on Sep. 24, 2014, U.S. Appl. No. 29/491,357.  
 Non-Final Office Action mailed Aug. 13, 2014, U.S. Appl. No. 13/707,517.  
 Notice of Allowance issued in related U.S. Appl. No. 29/437,043, dated Aug. 26, 2014.  
 Notice of Allowance issued in related U.S. Appl. No. 29/437,044, dated Aug. 11, 2014.  
 Office Action issued in related U.S. Appl. No. 13/707,517, dated Apr. 24, 2015.  
 Office Action issued in related U.S. Appl. No. 13/707,510, dated May 4, 2015.  
 Notice of Allowance issued in related U.S. Appl. No. 29/503,906, dated May 13, 2015.

\* cited by examiner





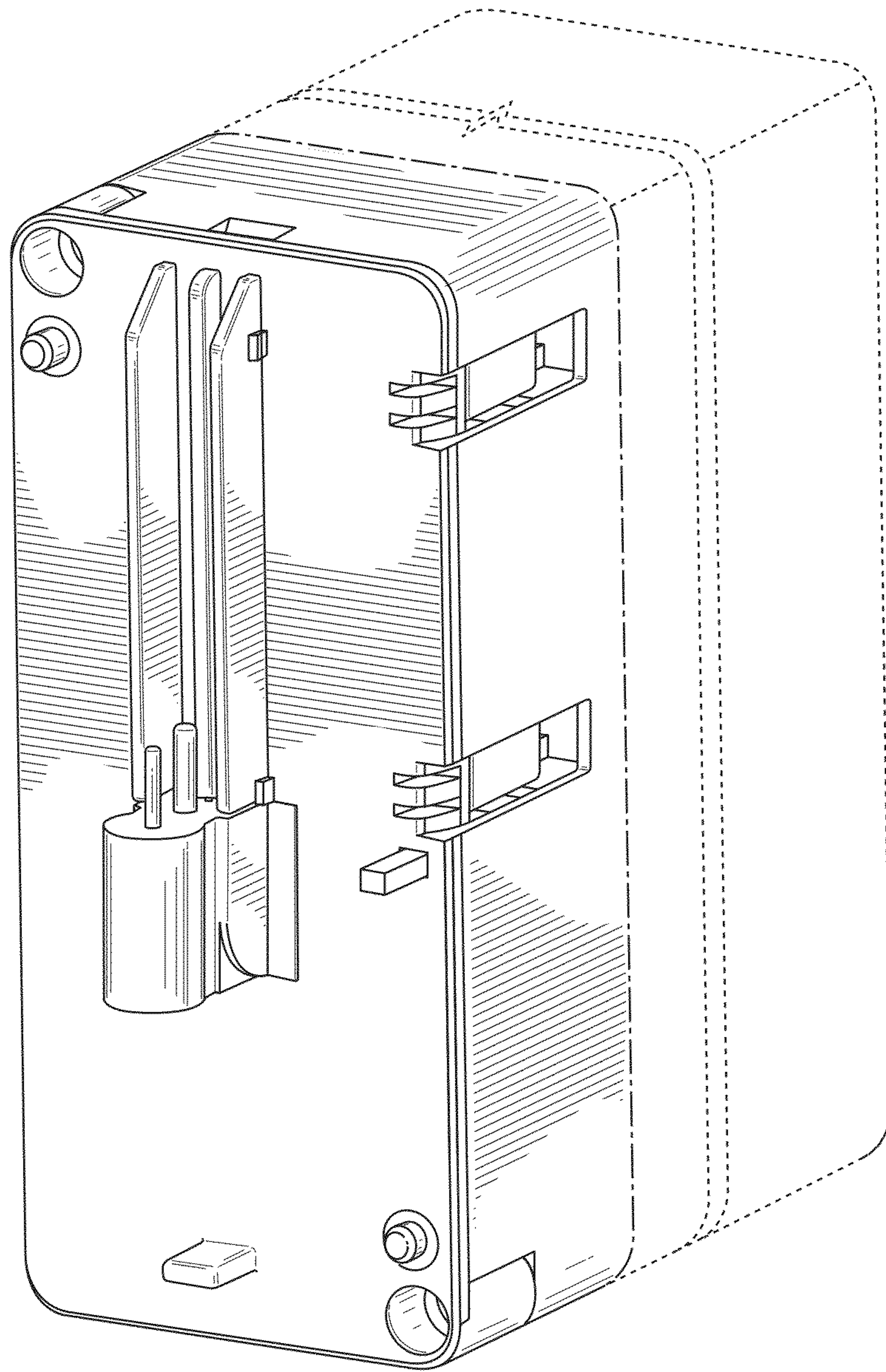
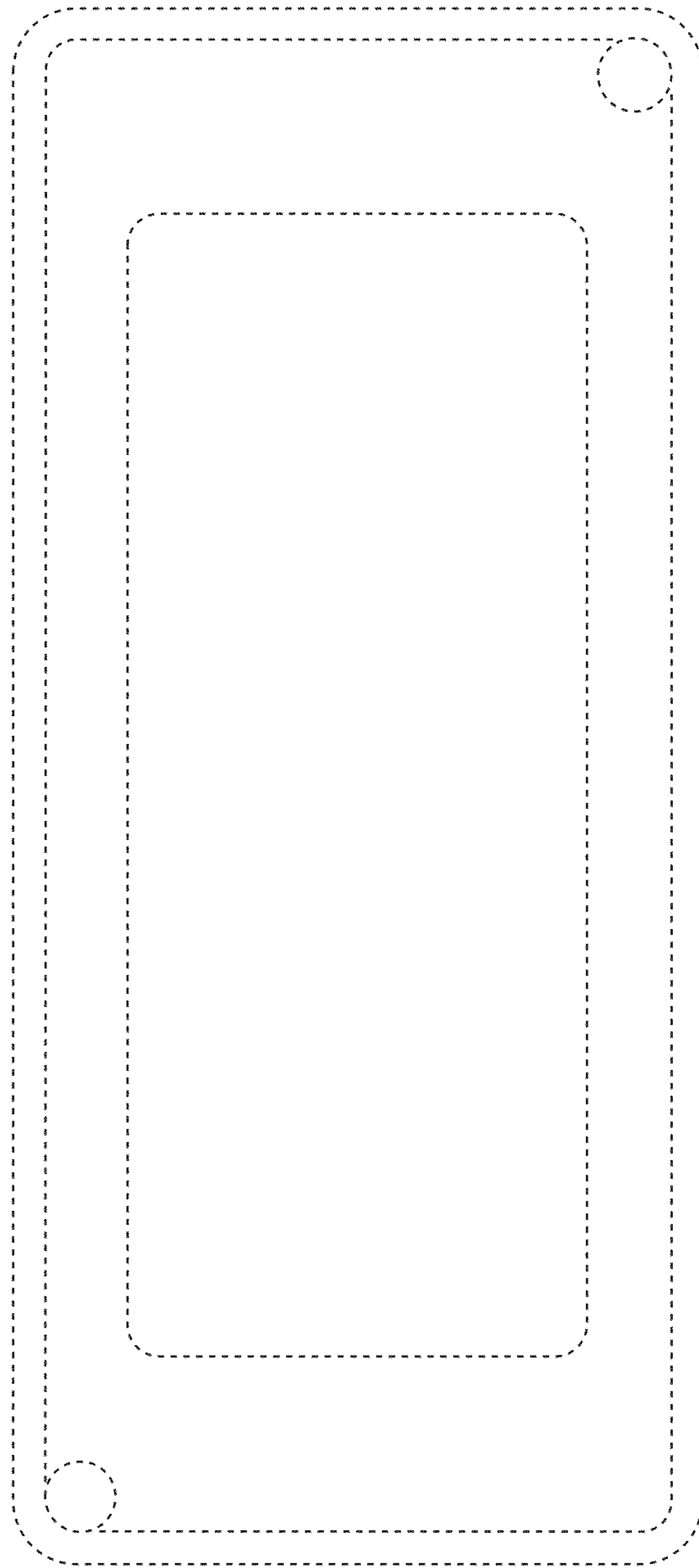


FIG. 2



**FIG. 3**

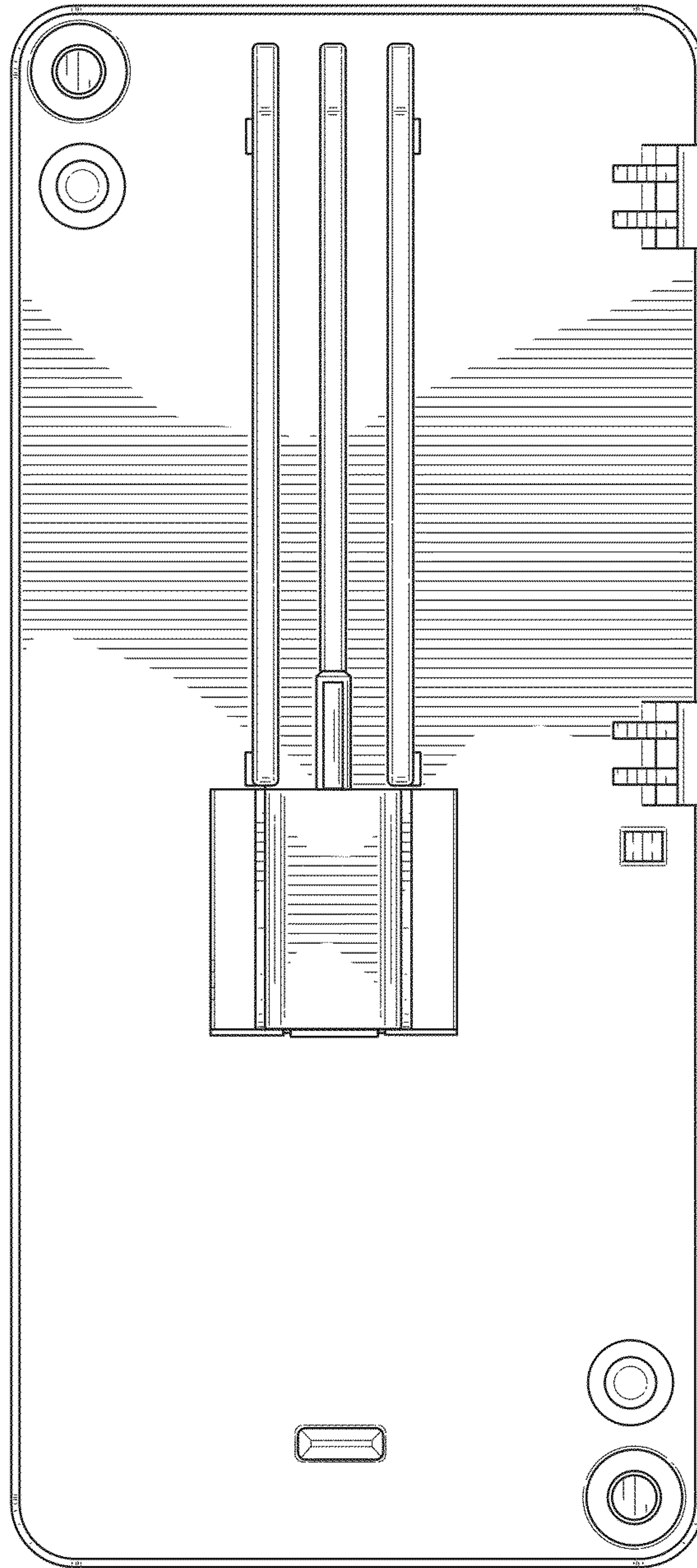


FIG. 4

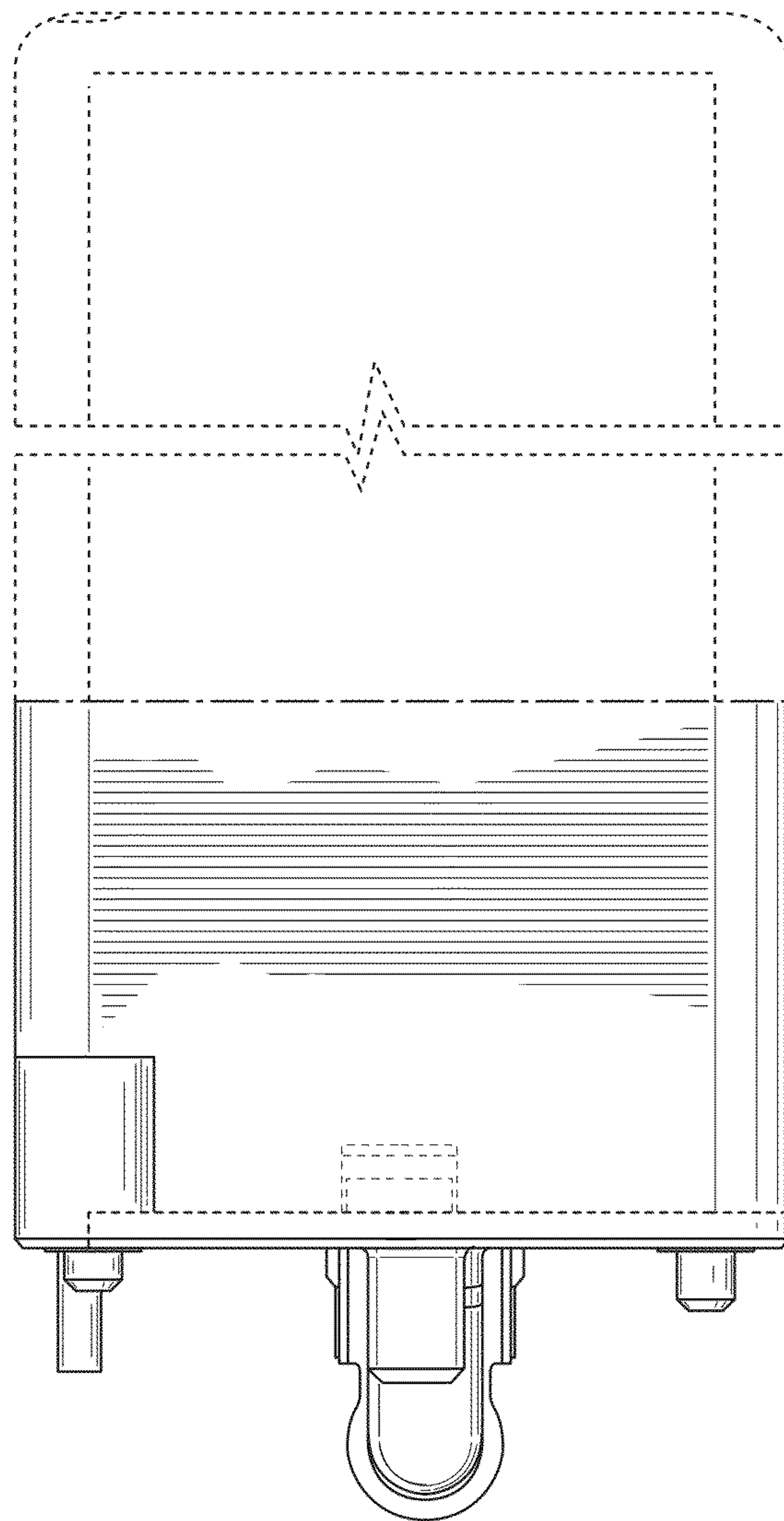


FIG. 5

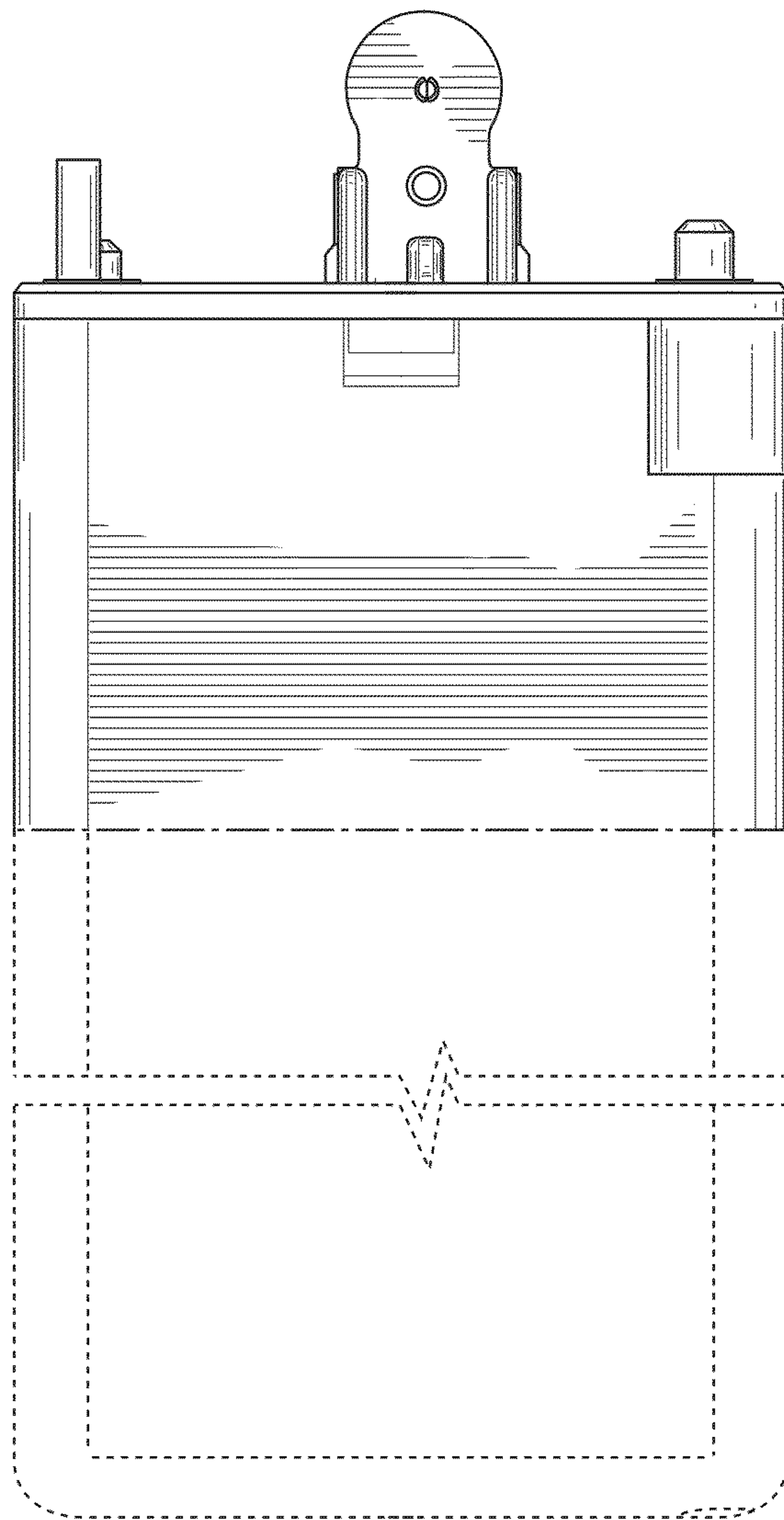


FIG. 6



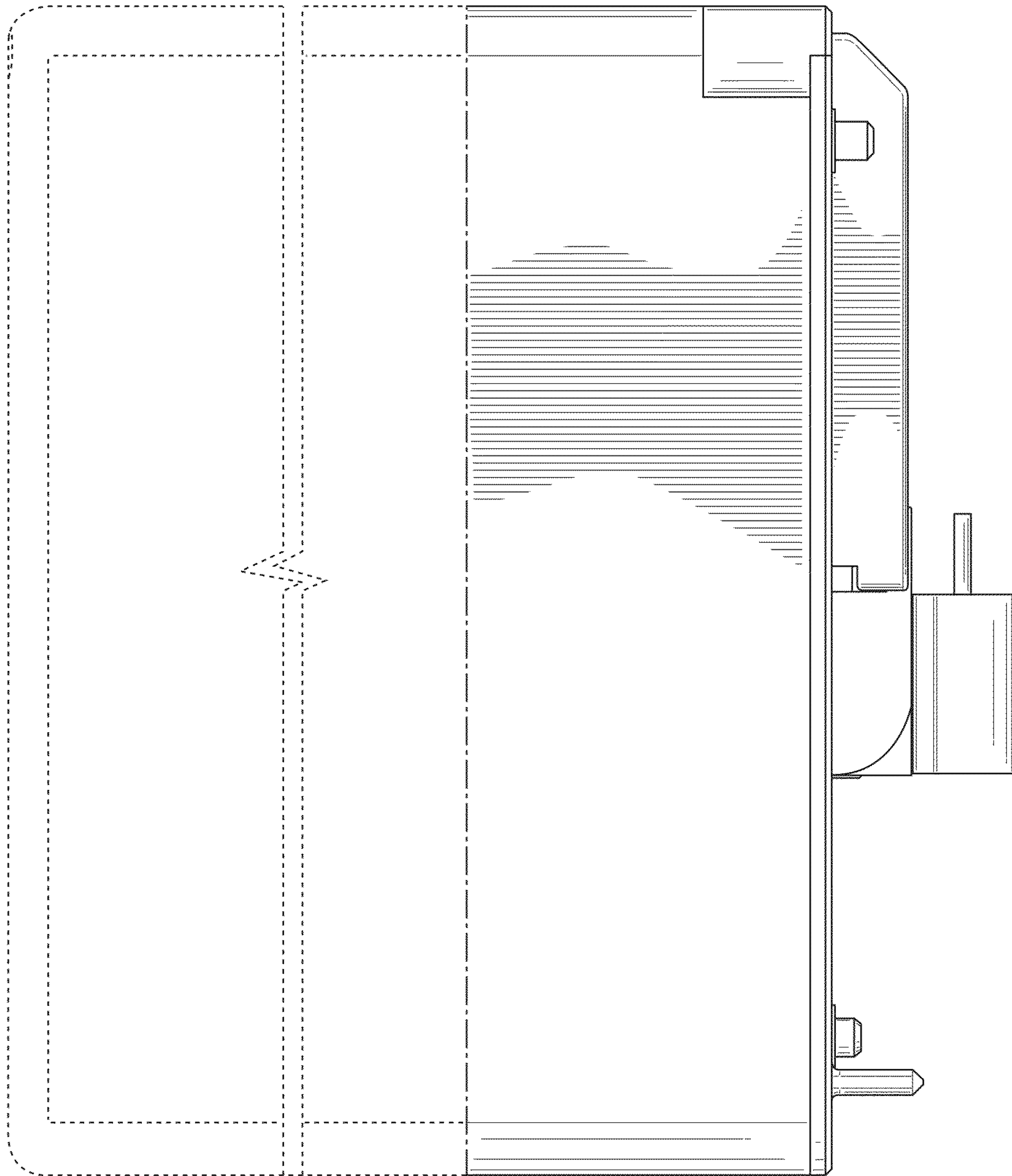


FIG. 7

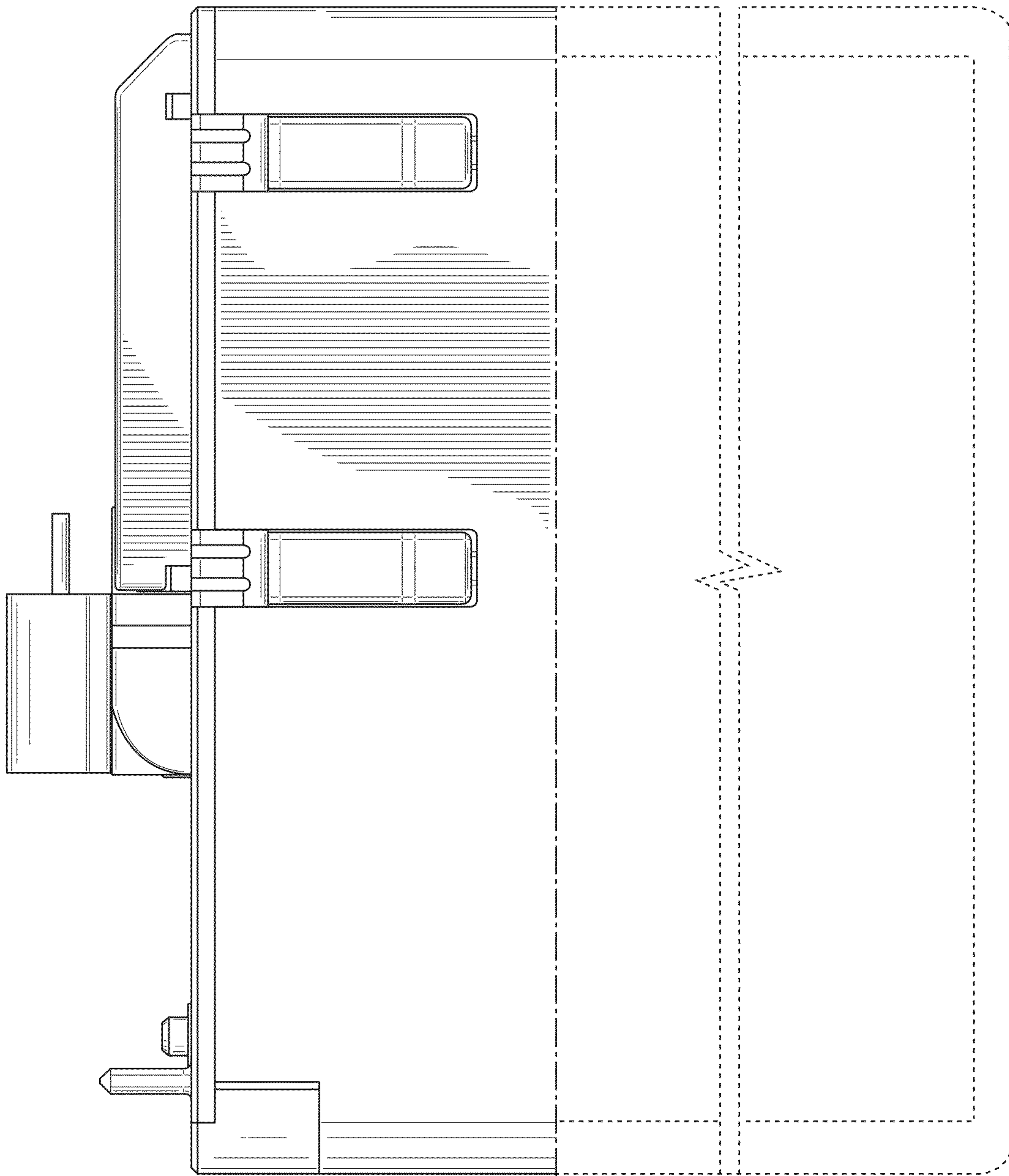


FIG. 8