



US00D740423S

(12) **United States Design Patent**
Fregoso et al.

(10) **Patent No.:** **US D740,423 S**

(45) **Date of Patent:** **** Oct. 6, 2015**

(54) **FOCUSED TISSUE BORING TIP WITH WATER VENT**

(71) Applicant: **American Eagle Instruments, Inc.**,
Missoula, MT (US)

(72) Inventors: **Gilbert Fregoso**, Missoula, MT (US);
Yuval Charles Avniel, Missoula, MT (US)

(73) Assignee: **American Eagle Instruments, Inc.**,
Missoula, MT (US)

(**) Term: **14 Years**

(21) Appl. No.: **29/483,572**

(22) Filed: **Feb. 28, 2014**

(51) **LOC (10) Cl.** **24-02**

(52) **U.S. Cl.**
USPC **D24/152**

(58) **Field of Classification Search**
USPC D24/152, 155-156, 176, 127, 133, 147,
D24/146; D8/86; D15/132, 138-139;
433/172-174, 3, 50, 53, 82, 114, 141,
433/165-166; 606/80, 96, 98; 408/209, 225
See application file for complete search history.

(56) **References Cited**

U.S. PATENT DOCUMENTS

3,322,124 A * 5/1967 Ireland 433/141
5,037,300 A * 8/1991 Weissman 433/166

5,076,788 A * 12/1991 Niznick 433/173
5,195,892 A * 3/1993 Gersberg 433/174
5,261,818 A * 11/1993 Shaw 433/165
5,556,280 A * 9/1996 Pelak 433/172
D532,109 S * 11/2006 Carroll D24/152
8,113,833 B2 * 2/2012 Courvoisier 433/165

* cited by examiner

Primary Examiner — Wan Laymon

(74) *Attorney, Agent, or Firm* — Heslin Rothenberg Farley & Mesiti, P.C.

(57) **CLAIM**

The ornamental design for a focused tissue boring tip with water vent, as shown and described.

DESCRIPTION

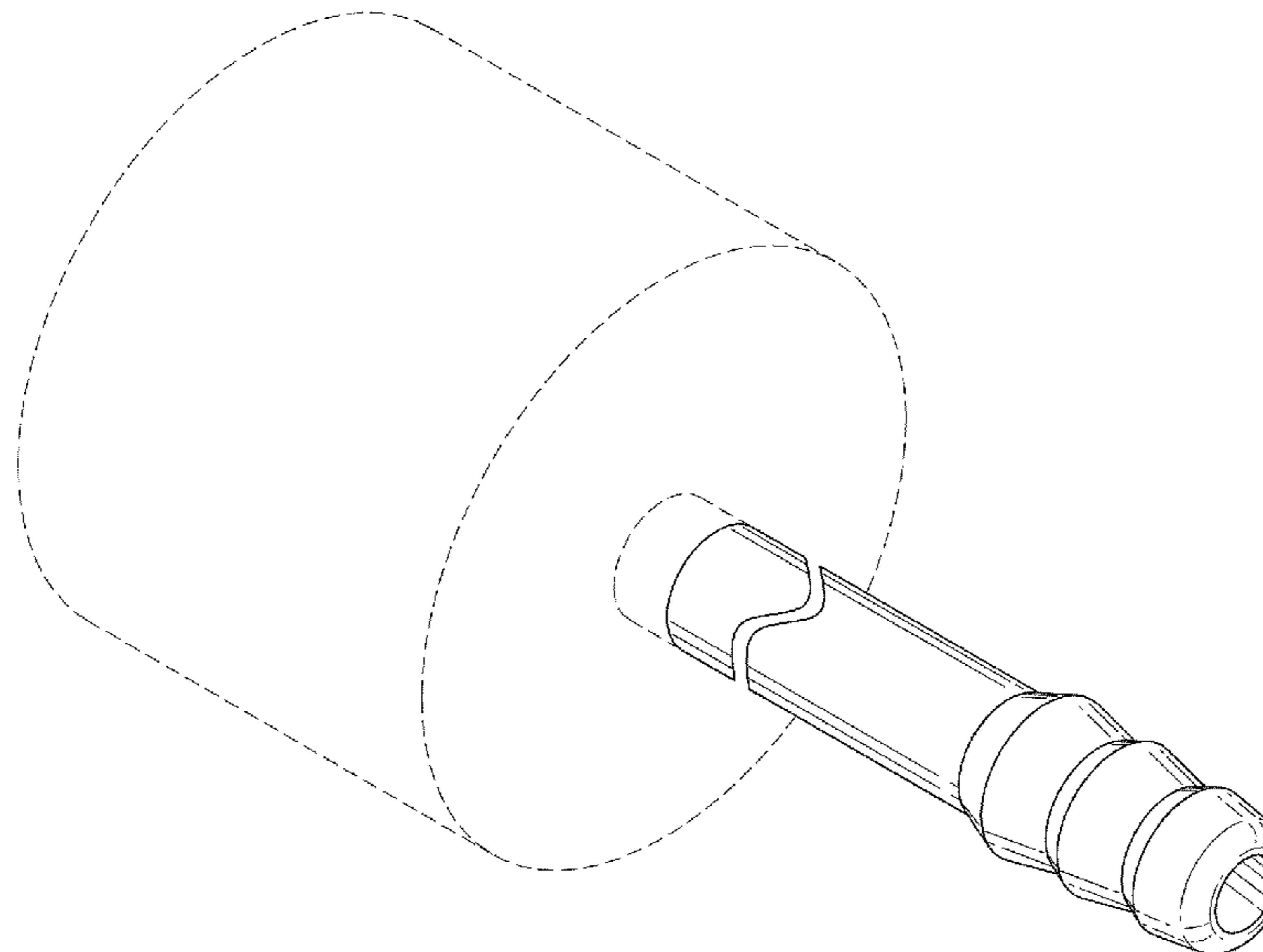
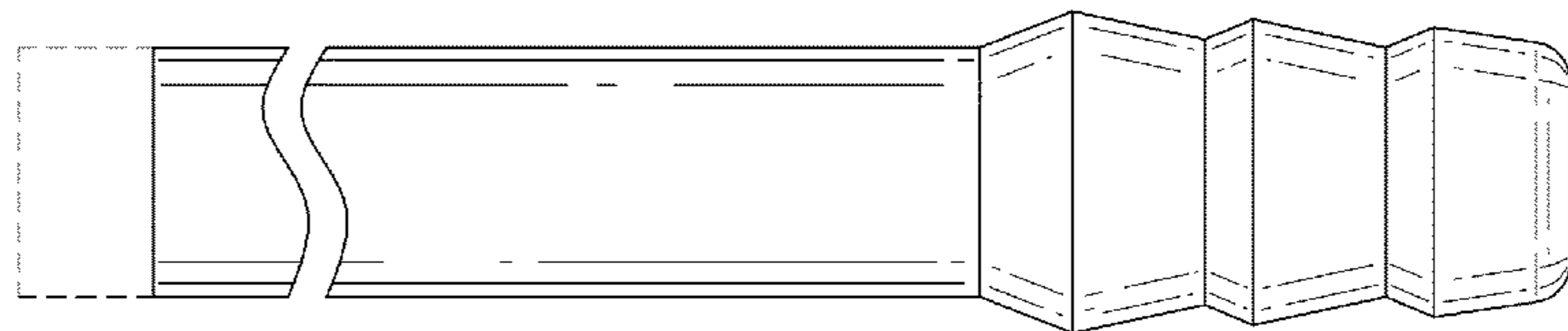
FIG. 1 is a front perspective view of the focused tissue boring tip with water vent comprising the new design; FIG. 2 is a right elevational view of the design of FIG. 1, where the left elevational view, the top view and bottom view are mirror images;

FIG. 3 is a front elevational view of the design of FIG. 1; FIG. 4 is a back elevational view of the design of FIG. 1; and, FIG. 5 is another perspective view of the focused tissue boring tip with water vent design of FIG. 1.

The broken lines shown in the figures represent portions of the focused tissue boring tip with water vent that form no part of the claimed design.

The broken away symbols in the drawing indicate that any portion of the article beyond what is shown forms no part of the claimed design.

1 Claim, 2 Drawing Sheets



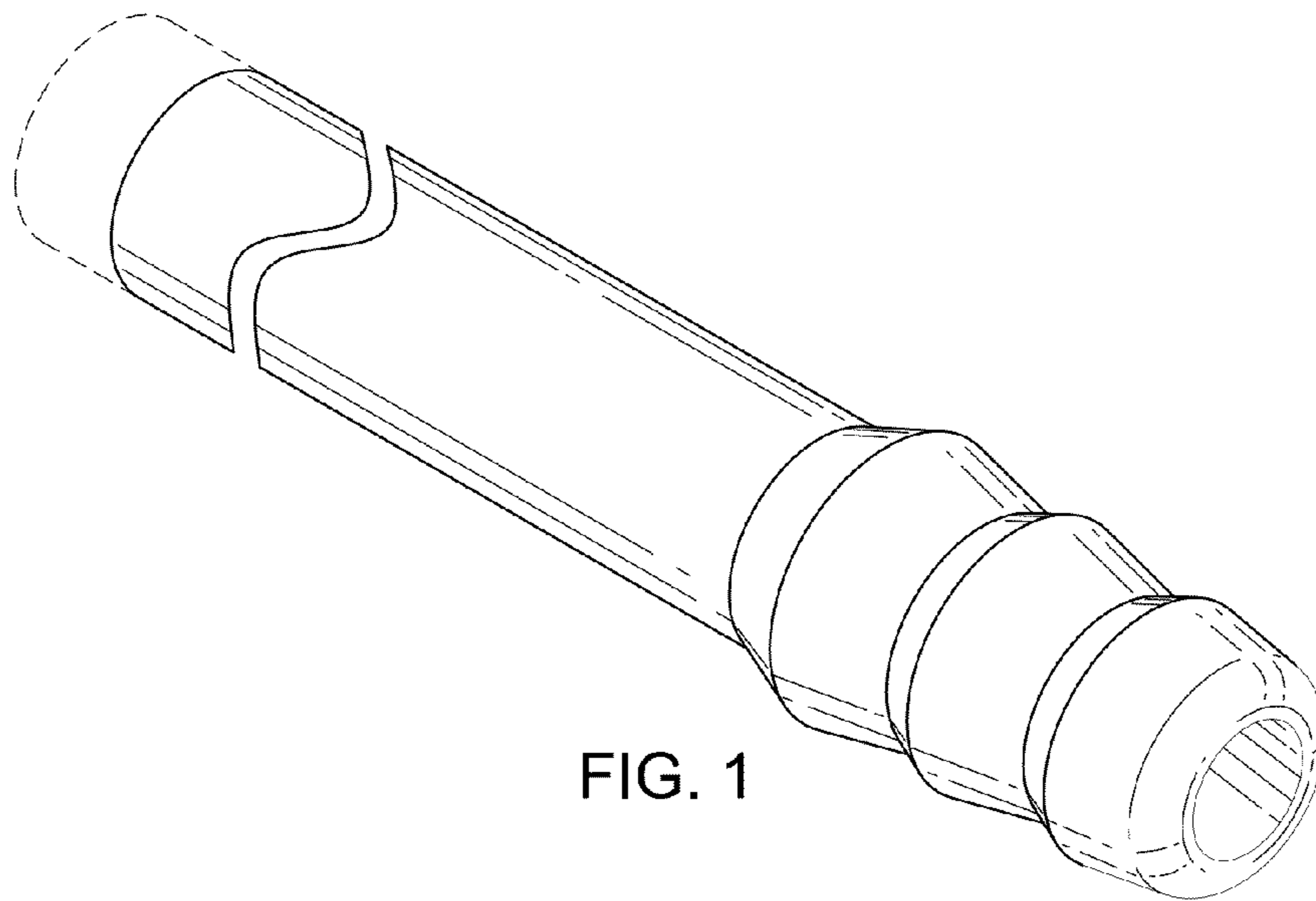


FIG. 1

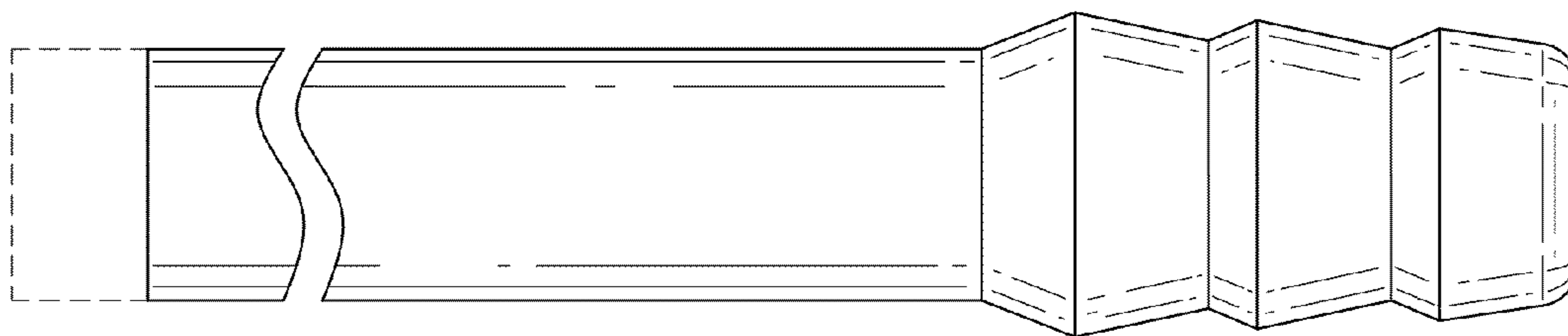


FIG. 2

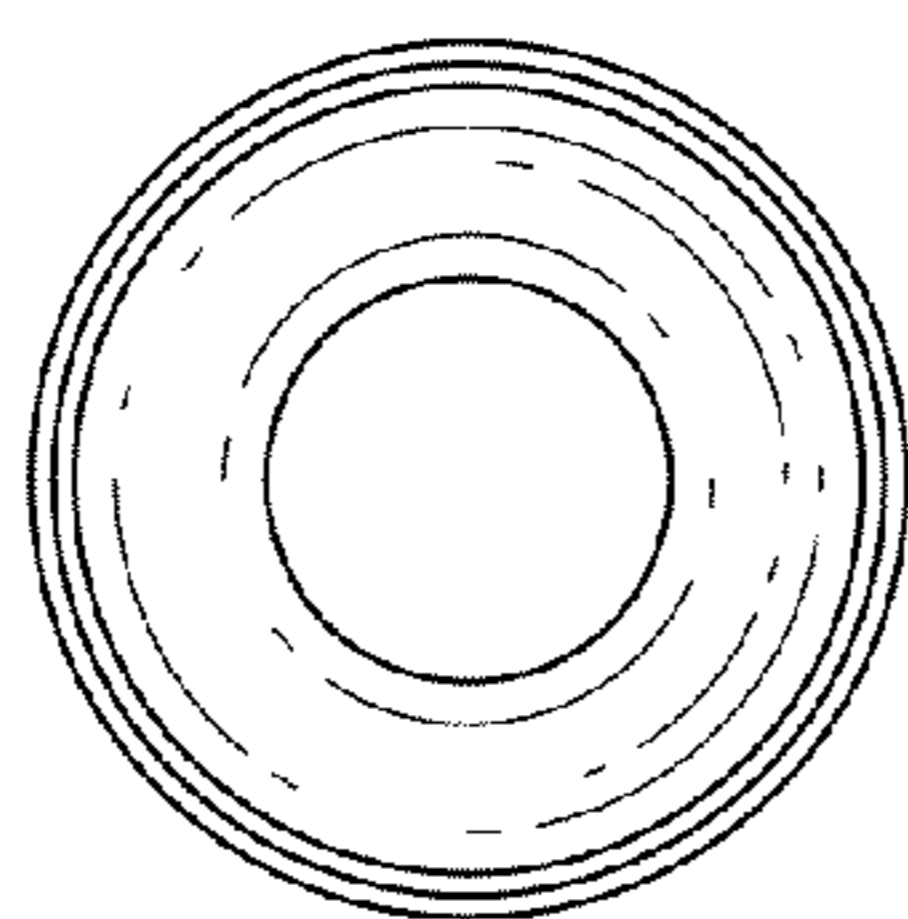


FIG. 3

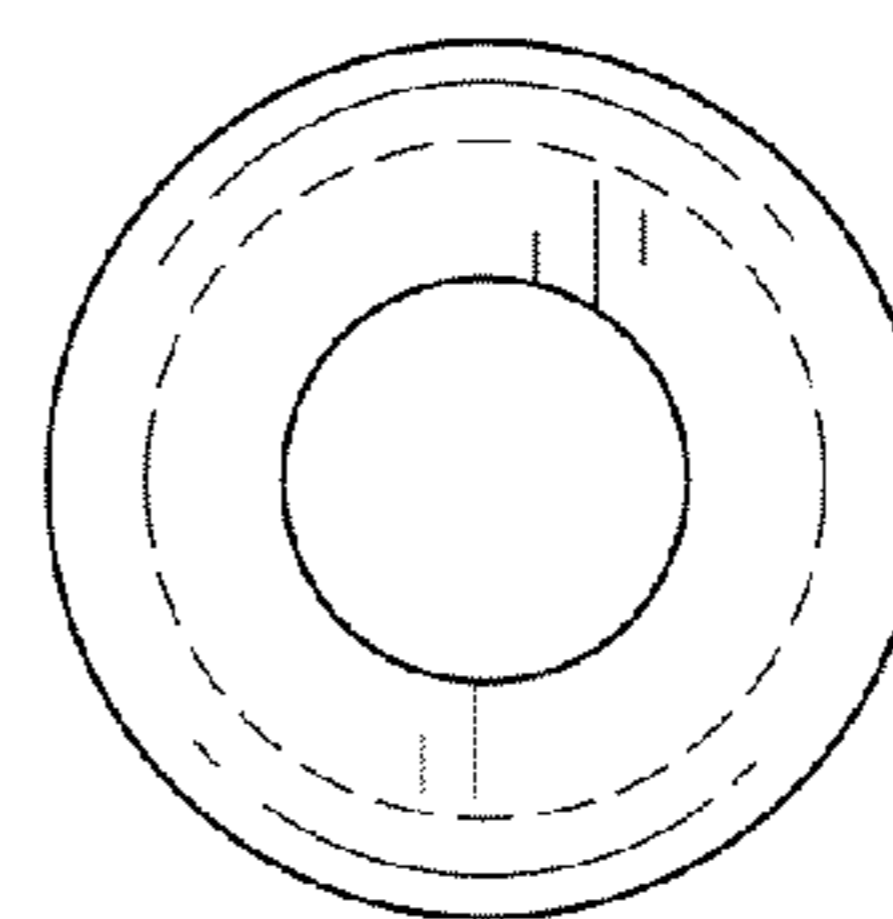


FIG. 4

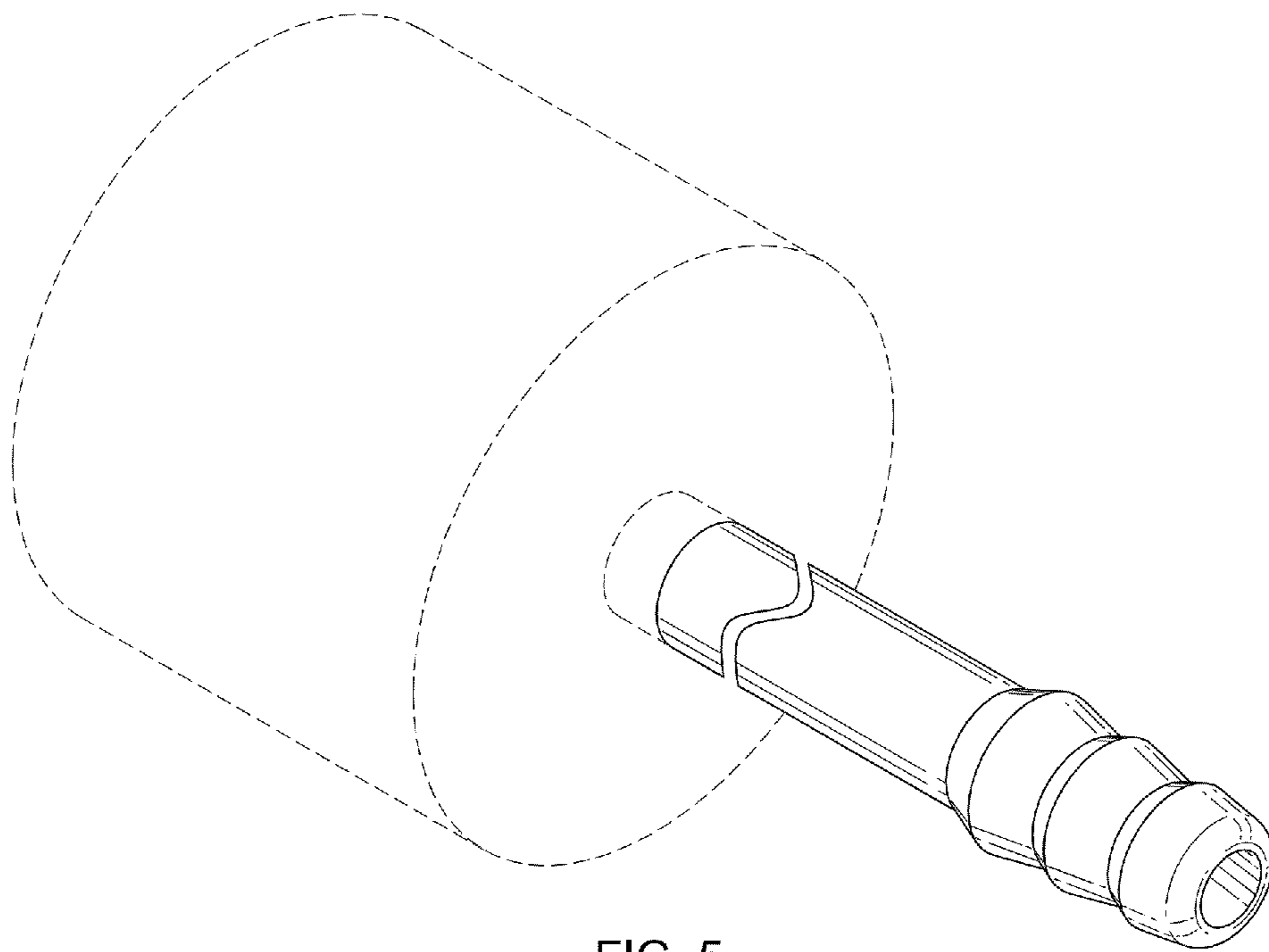


FIG. 5