



US00D740420S

(12) **United States Design Patent**
Spycher et al.

(10) **Patent No.:** **US D740,420 S**

(45) **Date of Patent:** **** Oct. 6, 2015**

(54) **TROCAR**

(71) Applicant: **Karl Storz GmbH & Co. KG**,
Tuttlingen (DE)

(72) Inventors: **Raphael Spycher**, Eschenz (CH);
Hubert Sonleiter, Immenstaad a.B.
(DE); **Martina Rogg**, Eggingen (DE)

(73) Assignee: **Karl Storz GmbH & Co. KG** (DE)

(**) Term: **14 Years**

(21) Appl. No.: **29/482,544**

(22) Filed: **Feb. 19, 2014**

(30) **Foreign Application Priority Data**

Aug. 19, 2013 (EM) 002293282-0002
Aug. 19, 2013 (EM) 002293282-0004

(51) **LOC (10) Cl.** **24-02**

(52) **U.S. Cl.**
USPC **D24/146**

(58) **Field of Classification Search**
USPC D24/146, 147, 133; 604/167.07,
604/167.04, 158, 167, 169; 600/566, 567,
600/568; 606/167, 170
CPC A61B 17/3421; A61B 2017/345;
A61B 2017/3452; A61B 2017/3437; A61B
17/34; A61B 2017/3407; A61B 2017/3409
See application file for complete search history.

(56) **References Cited**

U.S. PATENT DOCUMENTS

D362,066 S * 9/1995 Petruschke et al. D24/146
D426,635 S * 6/2000 Haberland et al. D24/146
D449,887 S * 10/2001 Haberland et al. D24/146

7,001,333 B2 * 2/2006 Hamel et al. 600/242
D538,429 S * 3/2007 Wolf D24/146
D546,450 S * 7/2007 Wolf D24/146
D549,824 S * 8/2007 Sauer D24/146
D586,913 S * 2/2009 Leroy et al. D24/135
D605,765 S * 12/2009 Gaab D24/146
D606,194 S * 12/2009 Frey et al. D24/147
D637,289 S * 5/2011 Berberich D24/146
8,012,129 B2 * 9/2011 Bettuchi et al. 604/167.06
8,062,305 B2 * 11/2011 Wenchell 606/108
8,801,741 B2 * 8/2014 Ahlberg et al. 606/185

* cited by examiner

Primary Examiner — Ian Simmons

Assistant Examiner — Carissa C Fitts

(74) *Attorney, Agent, or Firm* — Whitmyer IP Group LLC

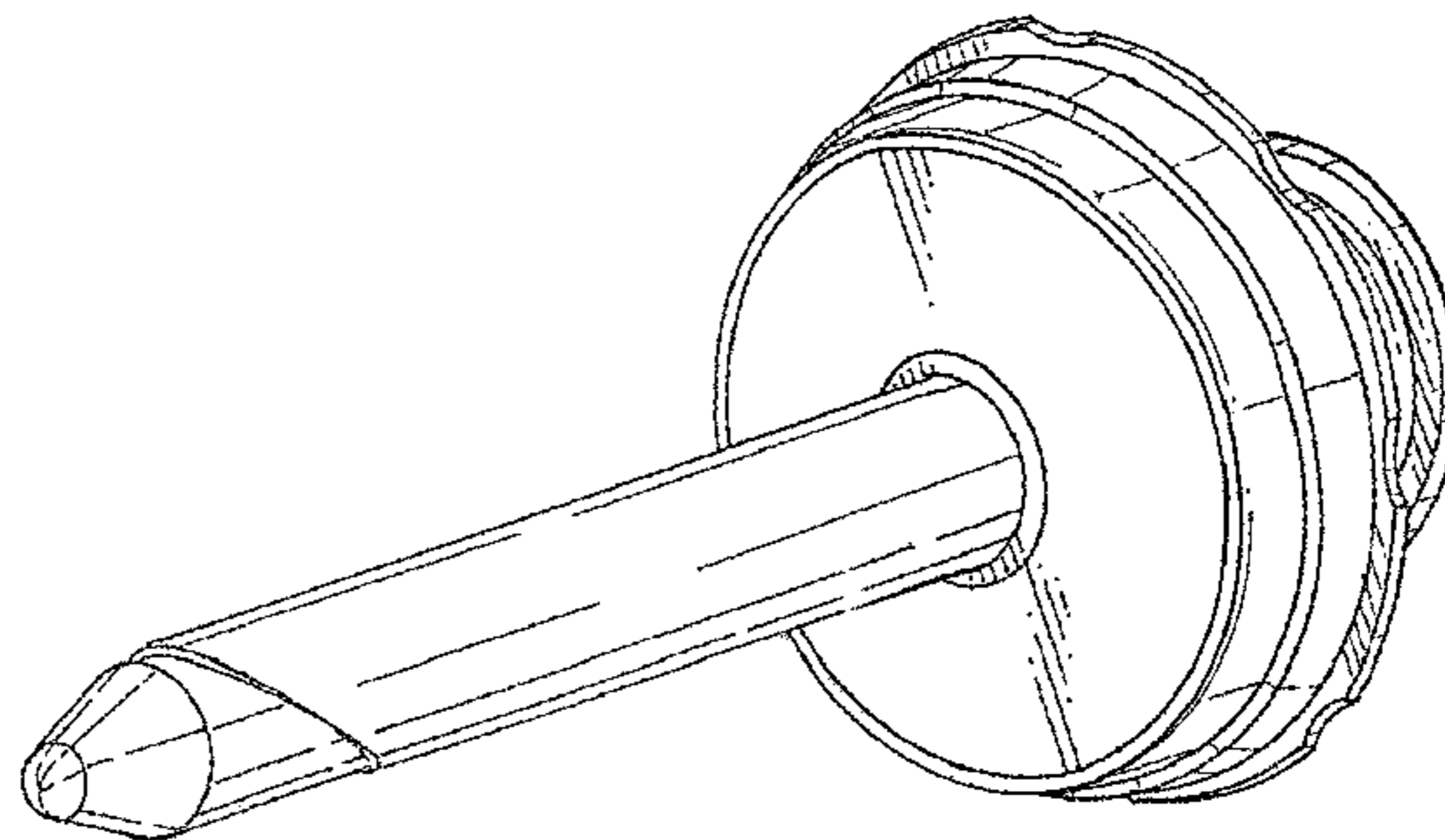
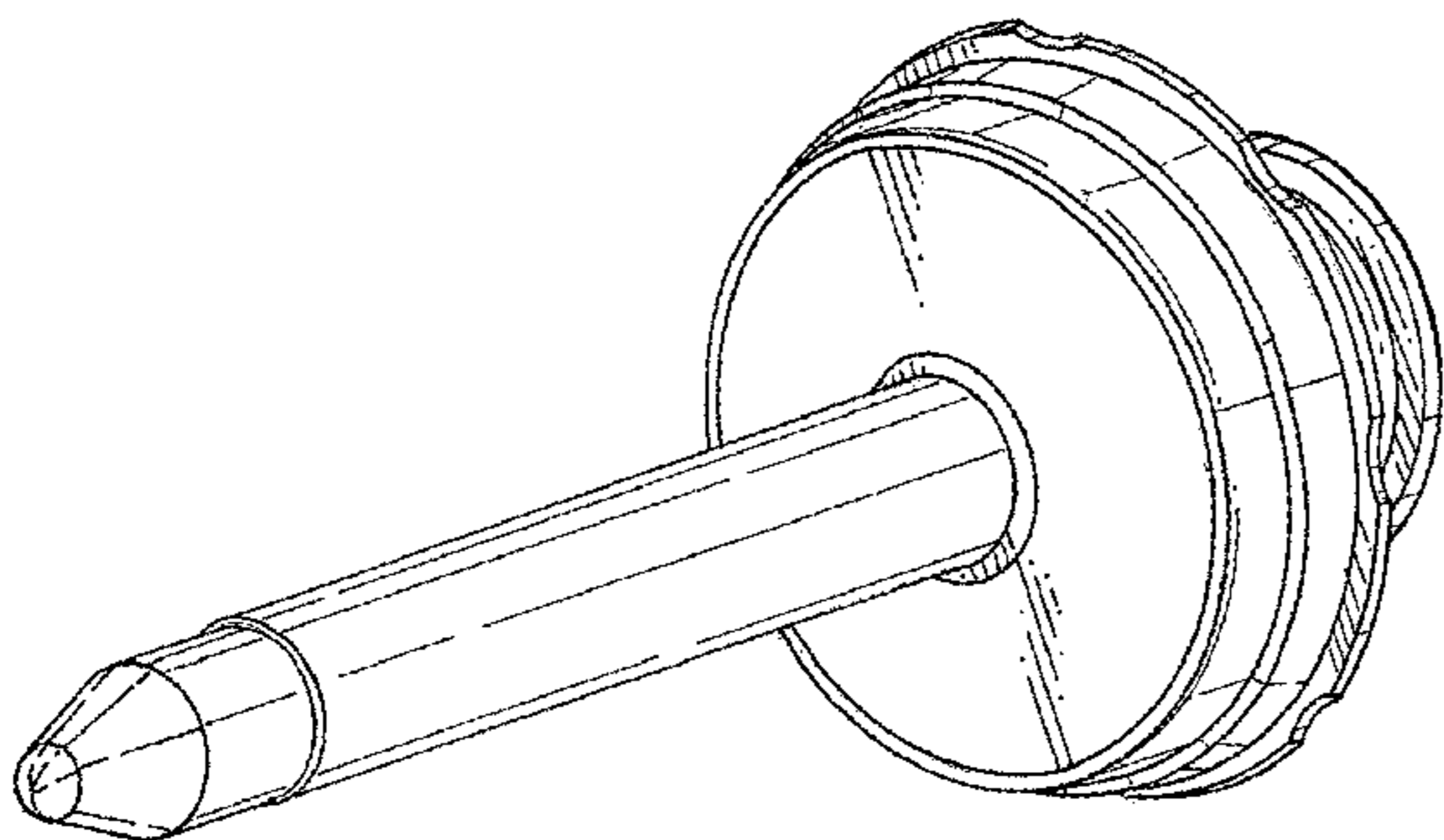
(57) **CLAIM**

The ornamental design for a trocar, as shown and described.

DESCRIPTION

FIG. 1 is a left side elevational view of a trocar in accordance with the new design, a right side elevational view, a top plan view and a bottom plan view being identical thereto;
FIG. 2 is a front elevational view thereof;
FIG. 3 is a rear elevational view thereof;
FIG. 4 is a front left side isometric view thereof; and
FIG. 5 is a rear right side isometric view thereof.
FIG. 6 is a bottom plan view of a trocar in accordance with the new design;
FIG. 7 is a left side elevational view thereof, a right side elevational view being a mirror image thereof;
FIG. 8 is a top plan view thereof;
FIG. 9 is a front elevational view thereof;
FIG. 10 is a rear elevational view thereof;
FIG. 11 is a front left side isometric view thereof; and,
FIG. 12 is a rear right side isometric view thereof.

1 Claim, 12 Drawing Sheets



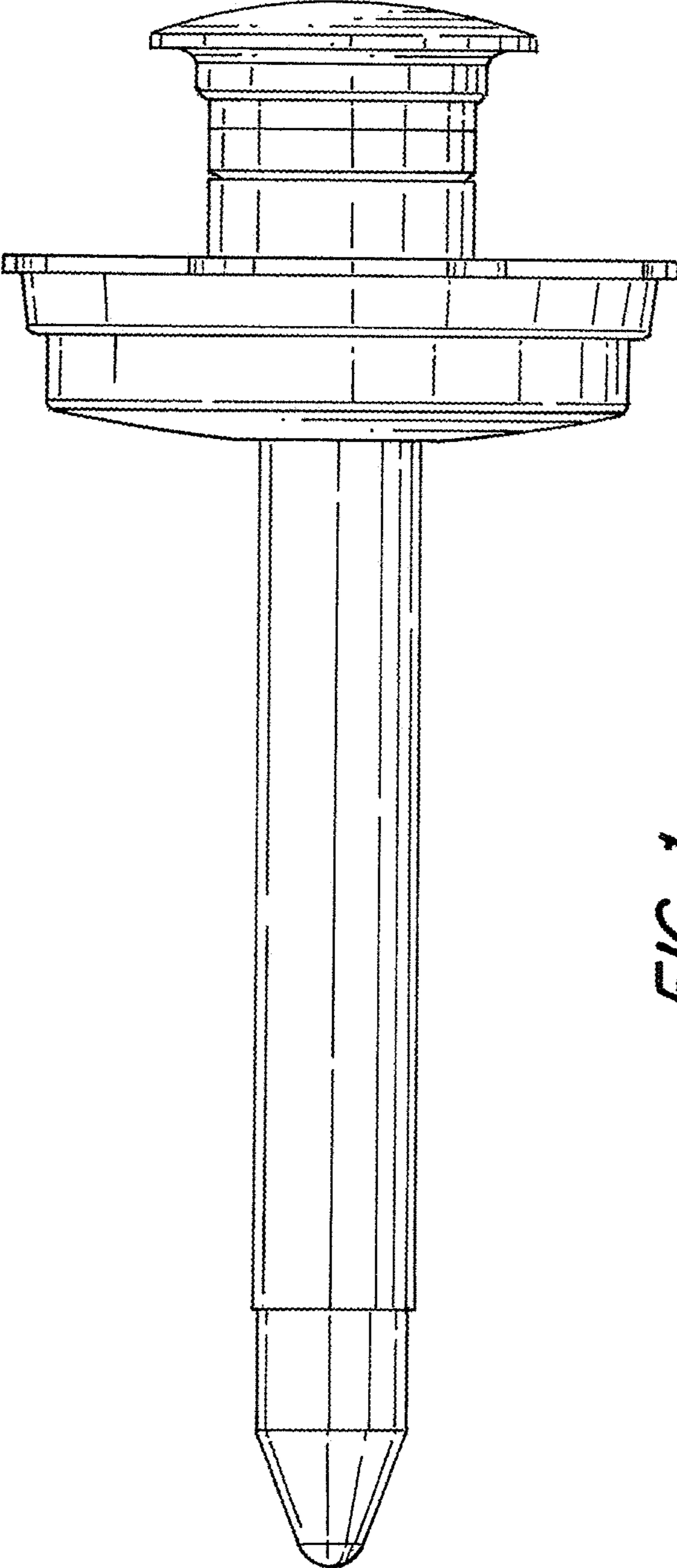


FIG. 1

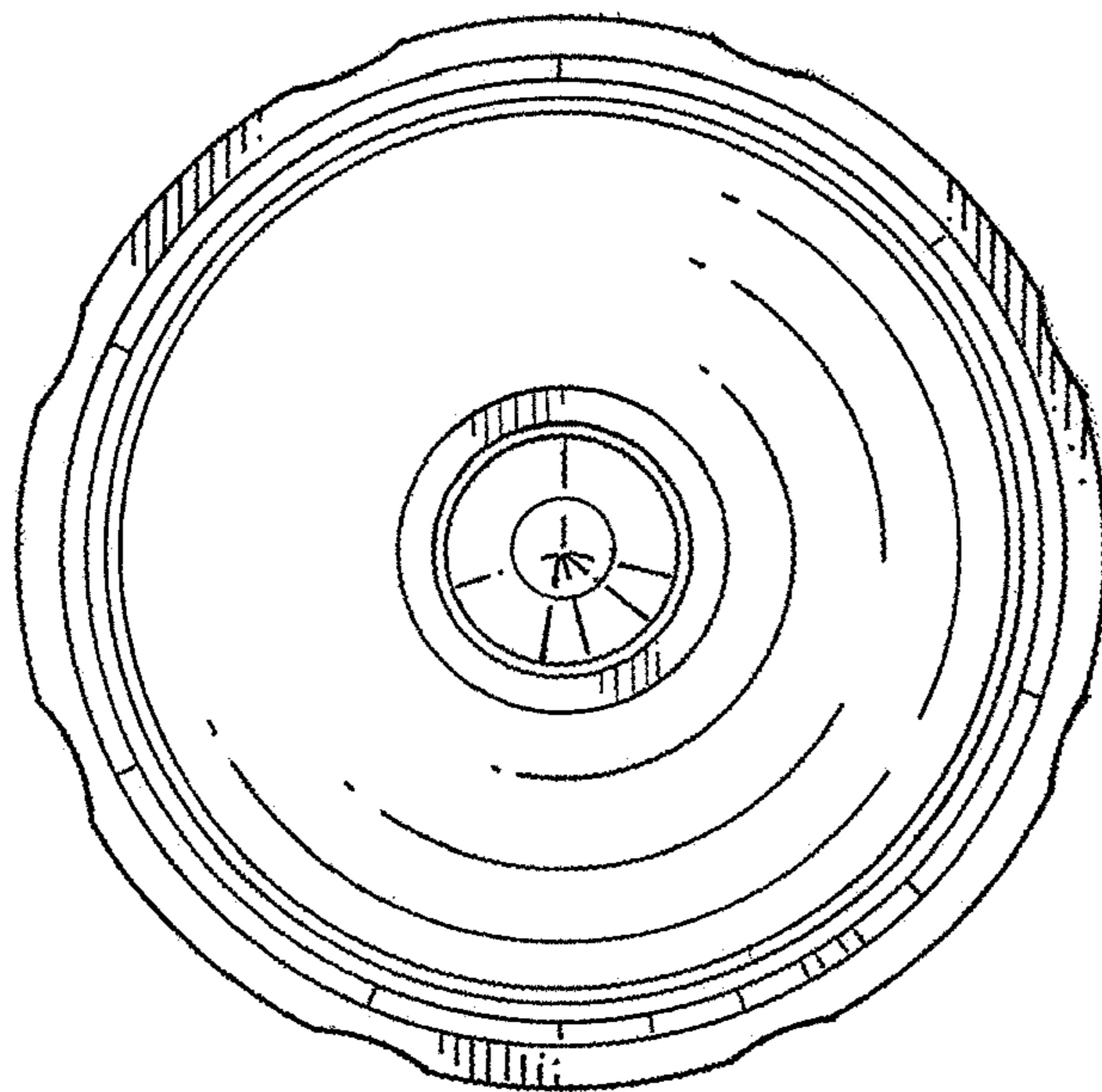


FIG. 2

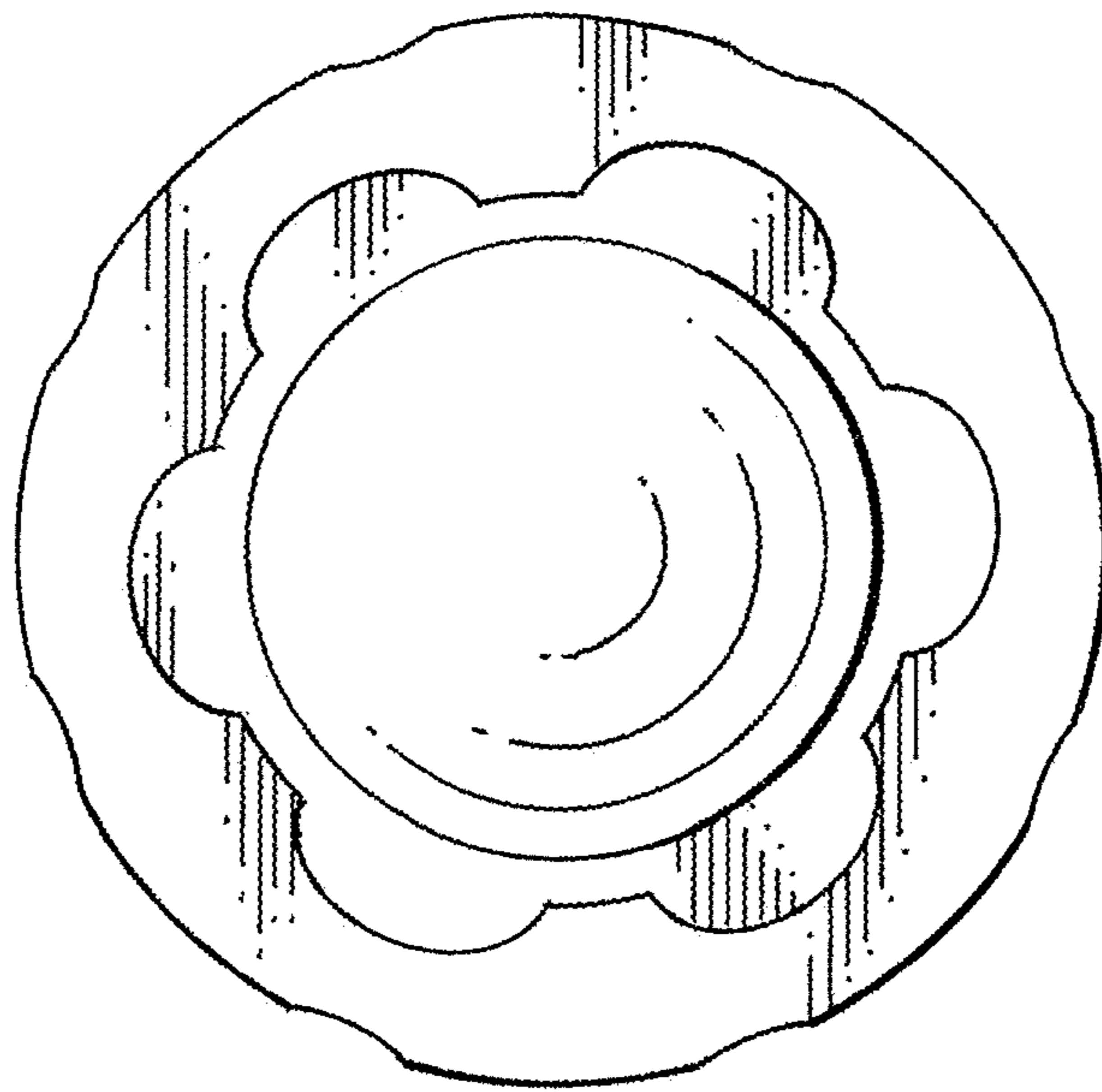


FIG. 3

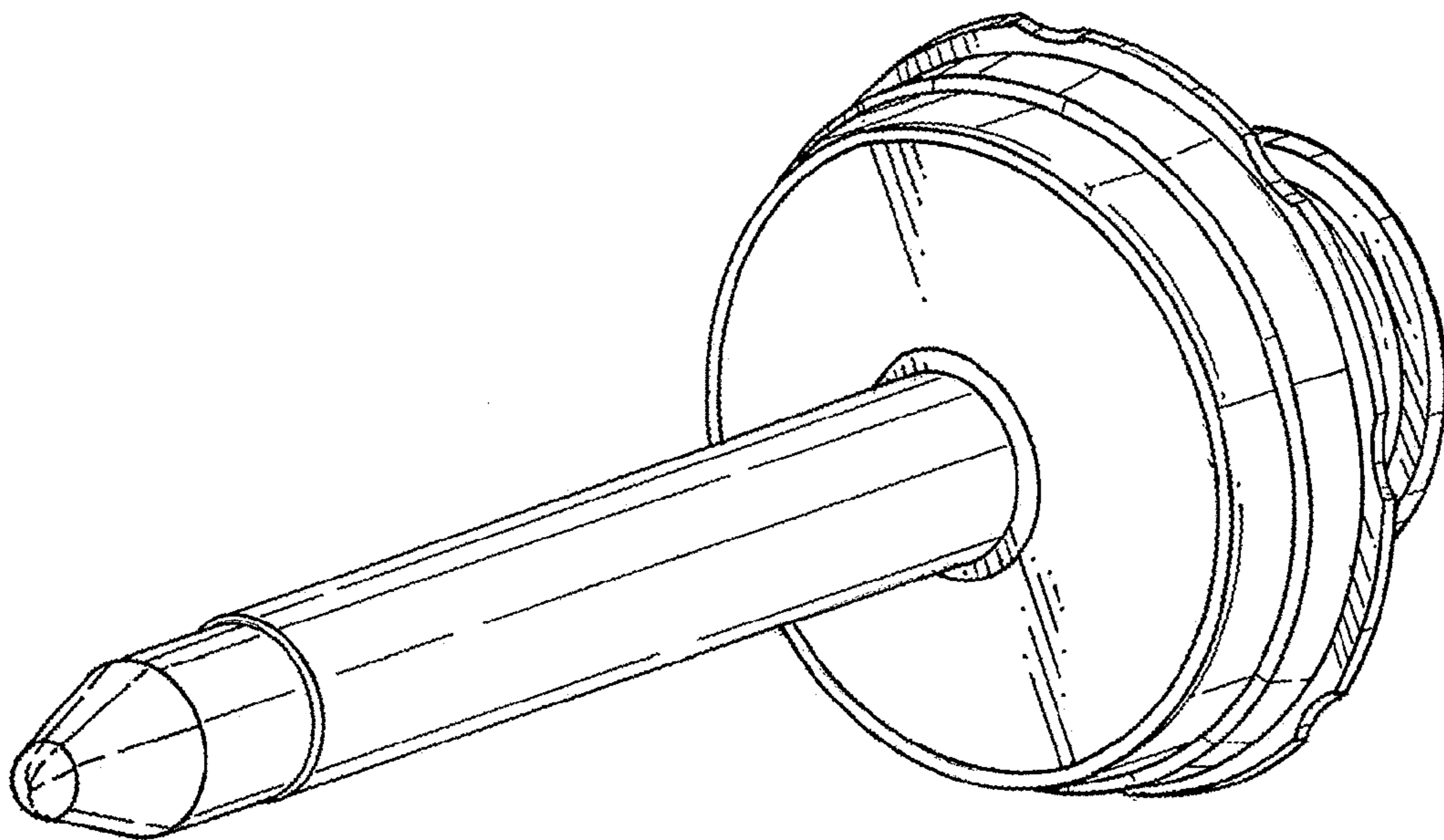


FIG. 4

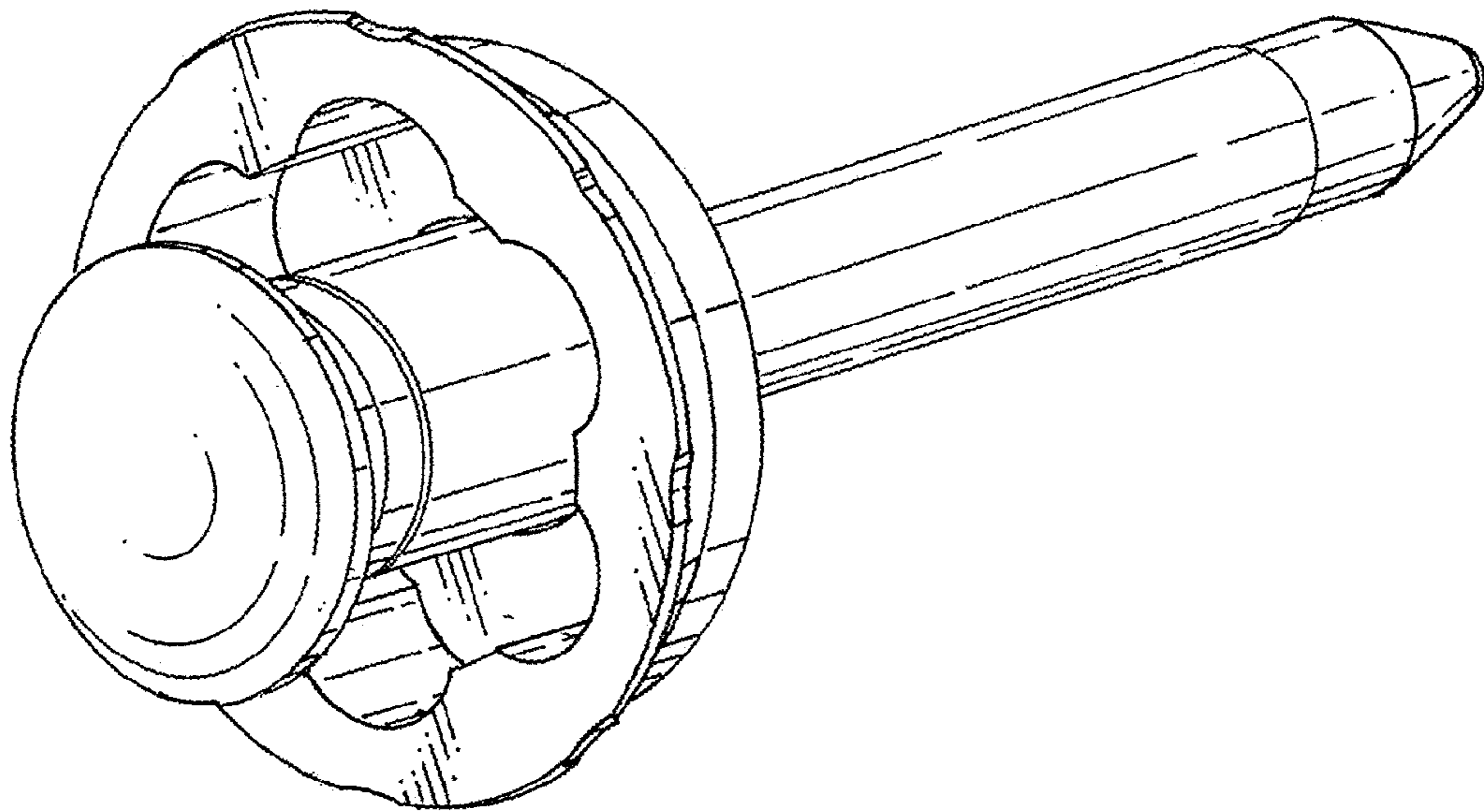


FIG. 5

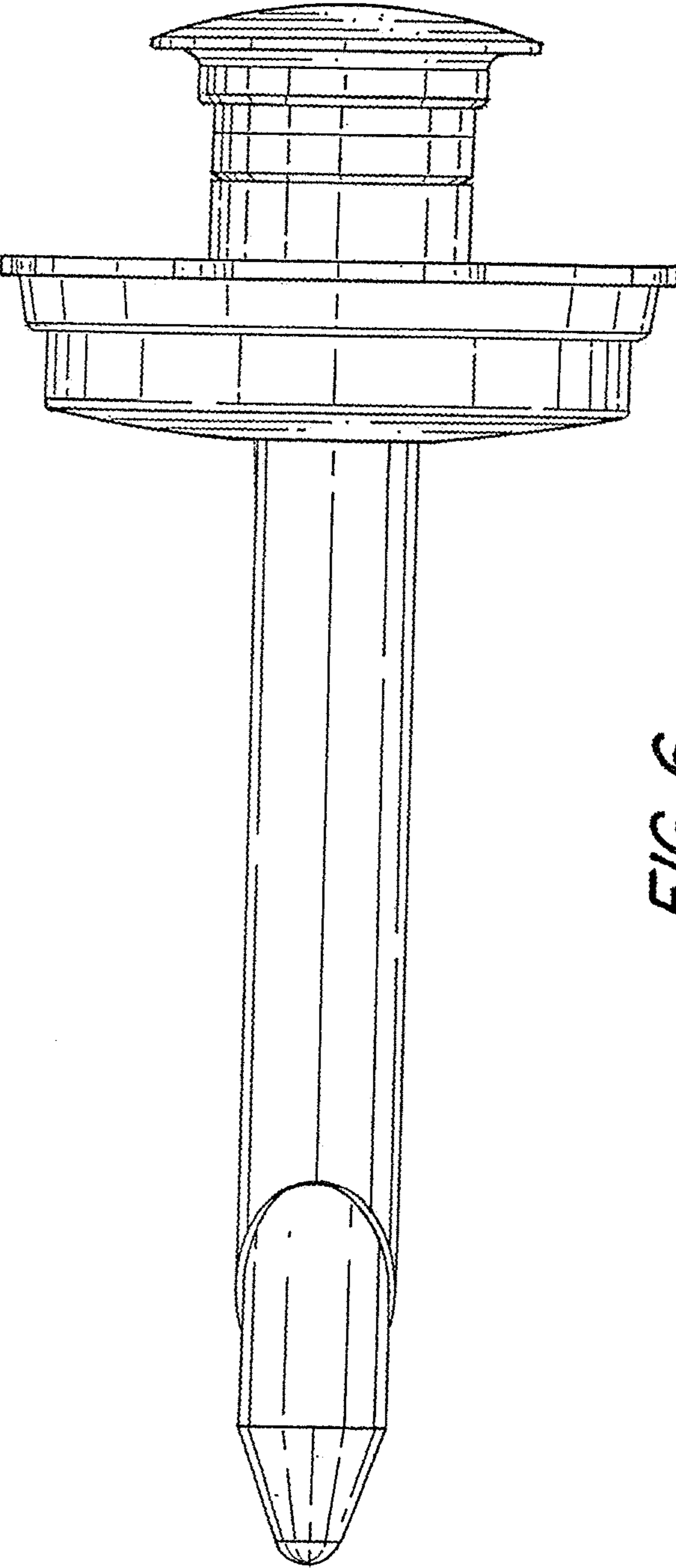


FIG. 6

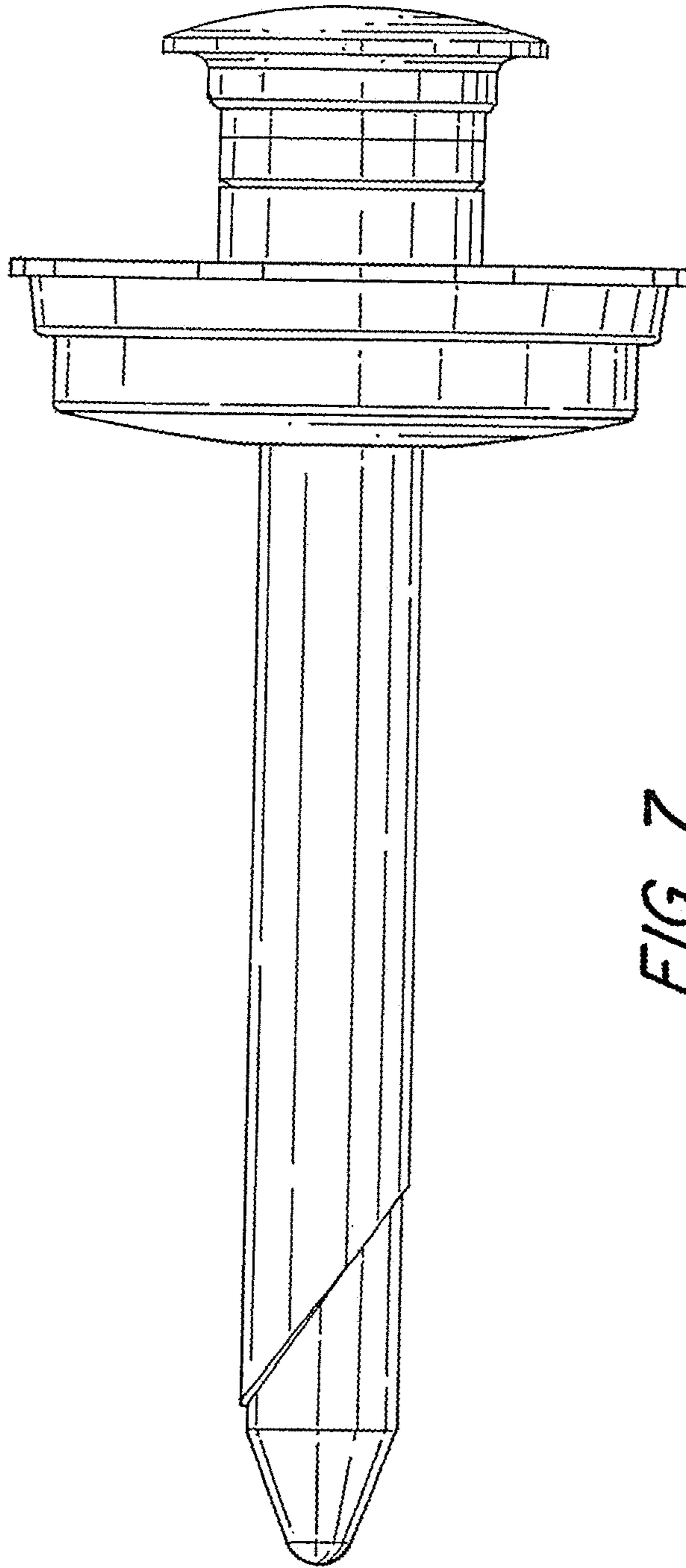


FIG. 7

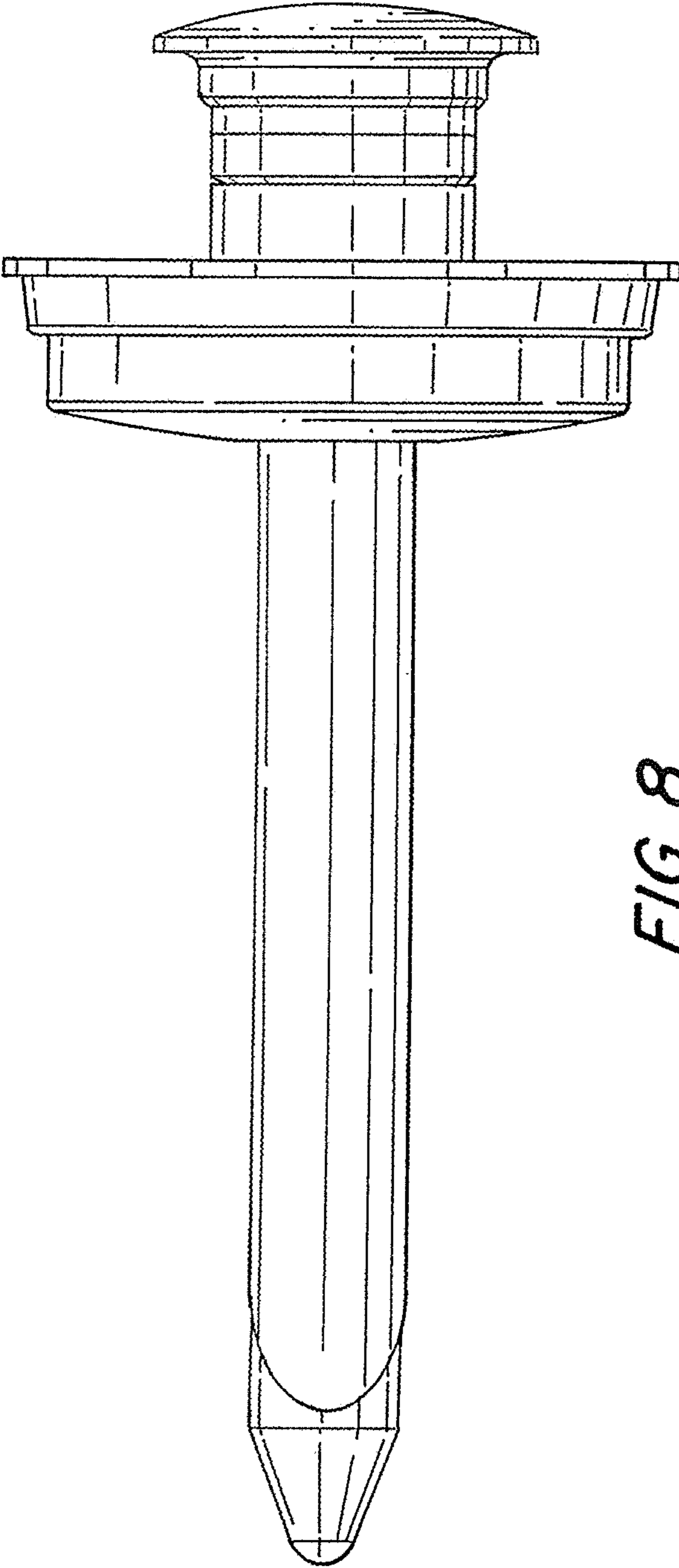


FIG. 8

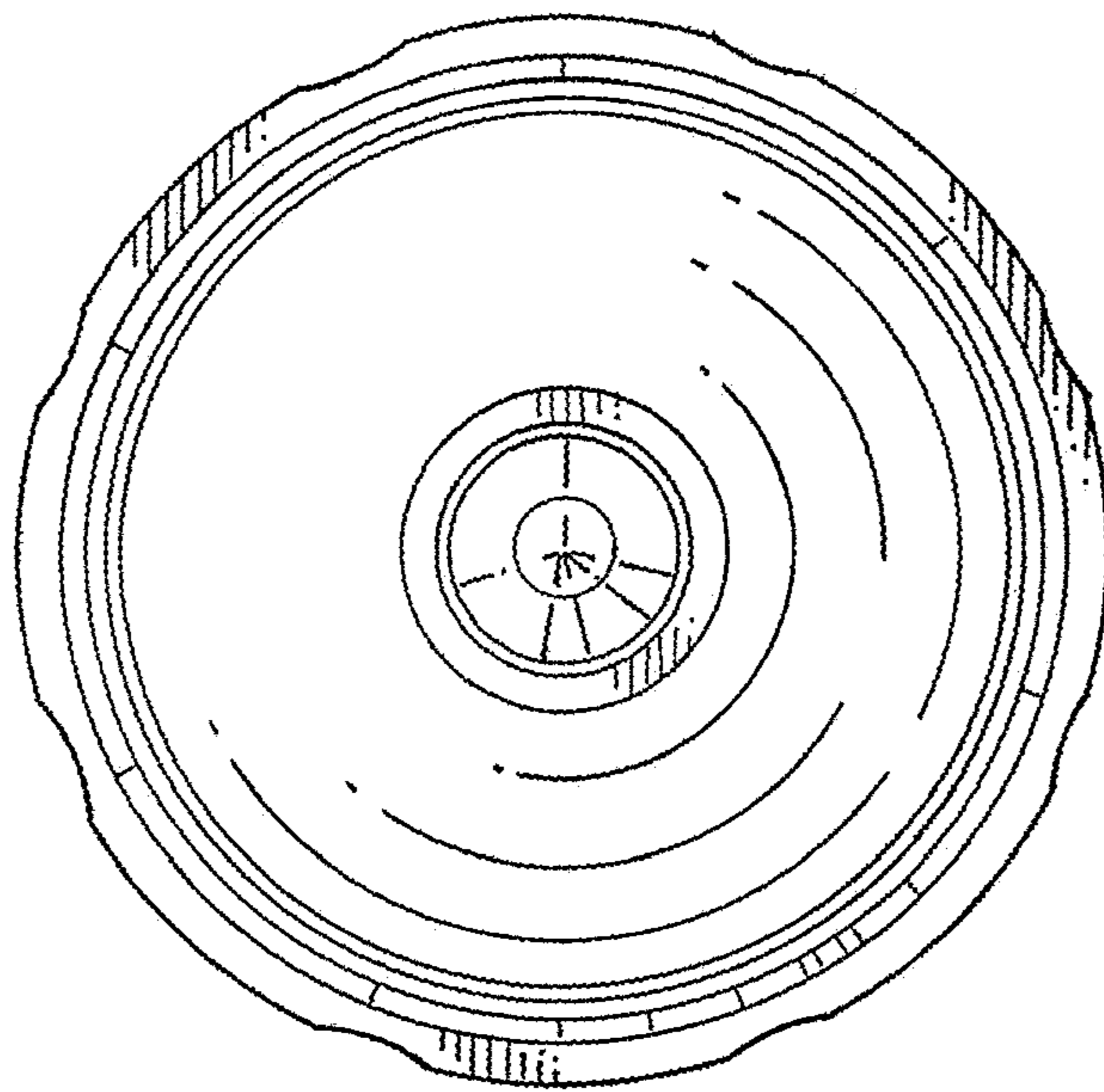


FIG. 9

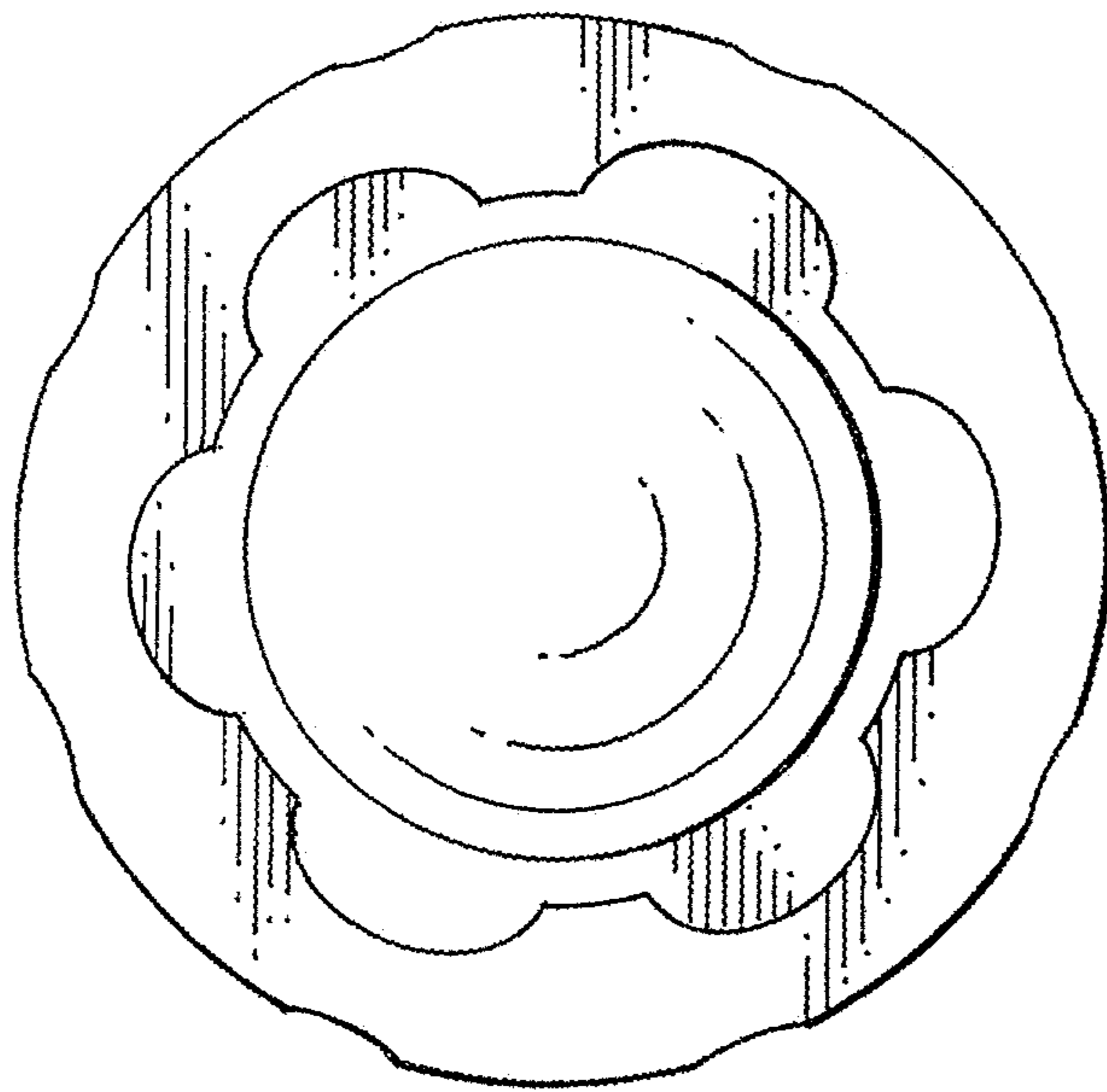


FIG. 10

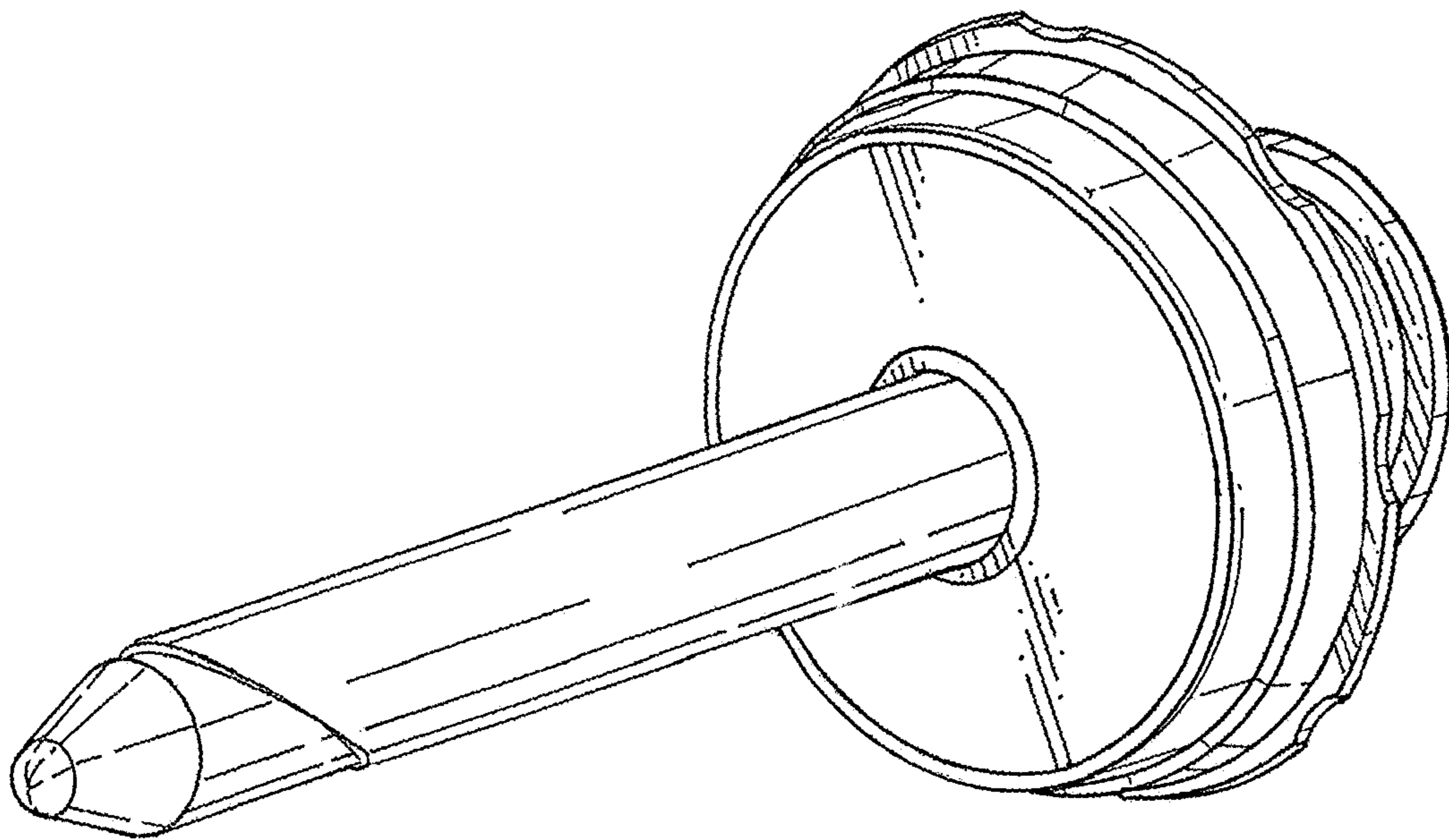


FIG. 11

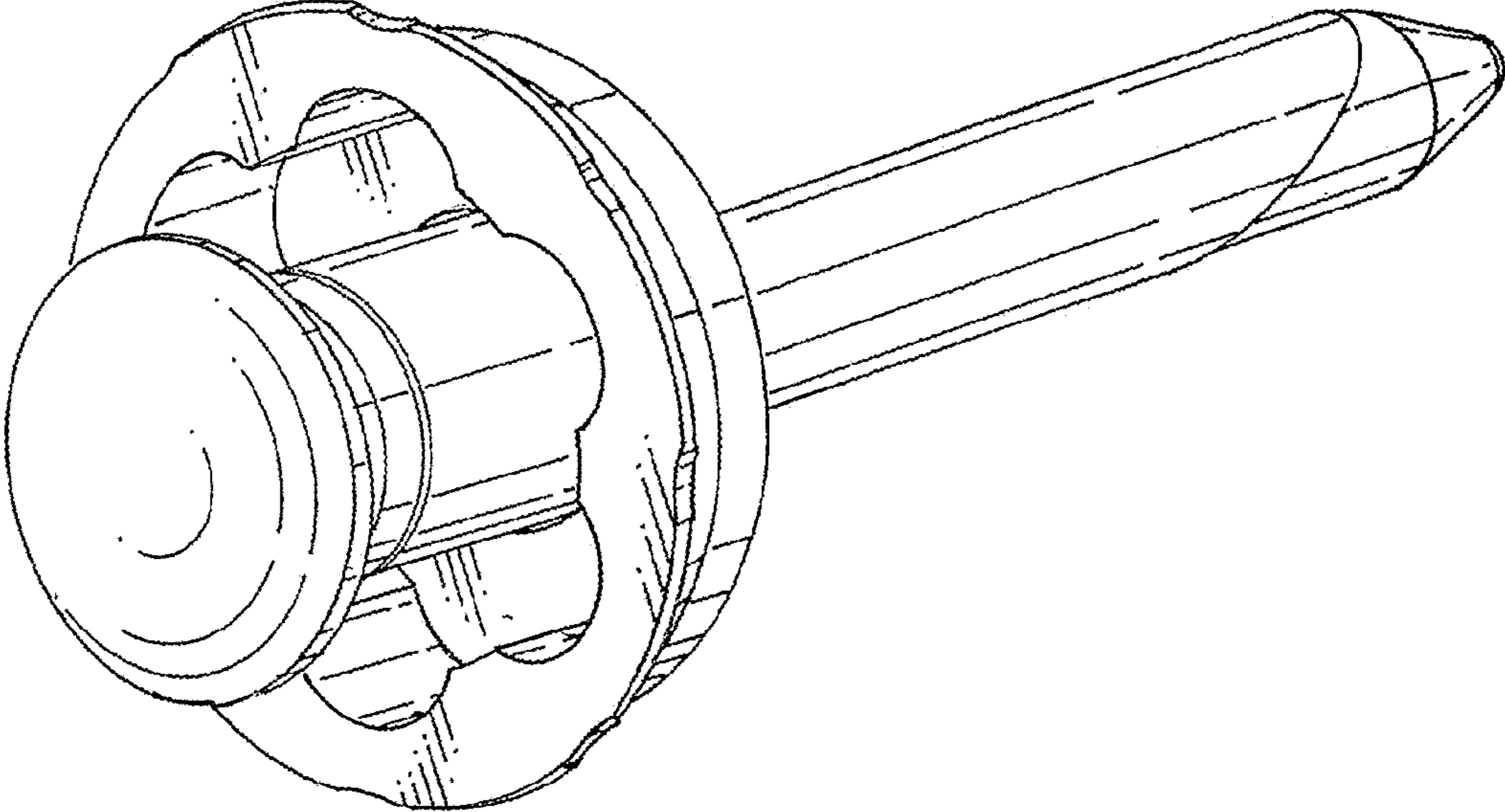


FIG. 12