



US00D740416S

(12) **United States Design Patent**
Dolmetsch

(10) **Patent No.:** **US D740,416 S**

(45) **Date of Patent:** **** Oct. 6, 2015**

(54) **SURGICAL OCULAR CLIP**

(71) Applicant: **Angela Dolmetsch**, Cali (CO)

(72) Inventor: **Angela Dolmetsch**, Cali (CO)

(**) Term: **14 Years**

(21) Appl. No.: **29/499,013**

(22) Filed: **Aug. 11, 2014**

(51) **LOC (10) Cl.** **24-02**

(52) **U.S. Cl.**
USPC **D24/143**

(58) **Field of Classification Search**
USPC D8/4, 14, 51-56, 58, 105, 107;
D22/150; D24/133, 143, 147-148,
D24/152-154, 146, 176
CPC A61B 17/3403; A61B 10/06; A61B 17/30;
A61B 17/7062; A61B 18/1442; A61B
18/1445; A61B 17/3201; A61B 17/122;
A61B 17/083; B25B 9/02

See application file for complete search history.

(56) **References Cited**

U.S. PATENT DOCUMENTS

4,461,297 A * 7/1984 Sutter 606/210
D331,800 S * 12/1992 Han D24/143
D341,886 S * 11/1993 Stolte D24/143

D456,077 S * 4/2002 Etter et al. D24/143
D485,359 S * 1/2004 McMichael et al. D24/143
D543,662 S * 5/2007 Bivona et al. D28/55
D546,002 S * 7/2007 Bowen D28/55
D559,984 S * 1/2008 Scheller D24/143
7,556,499 B2 * 7/2009 Zepf 433/159
D672,039 S * 12/2012 Oboh et al. D24/143
D707,816 S * 6/2014 LaMontagne et al. D24/143
D707,817 S * 6/2014 Schallert D24/143
D716,498 S * 10/2014 Wolff D28/55
2013/0274755 A1 * 10/2013 Van Dalen et al. 606/107

* cited by examiner

Primary Examiner — Wan Laymon

Assistant Examiner — Mark Booker

(74) *Attorney, Agent, or Firm* — Gulf Coast Intellectual Property Group

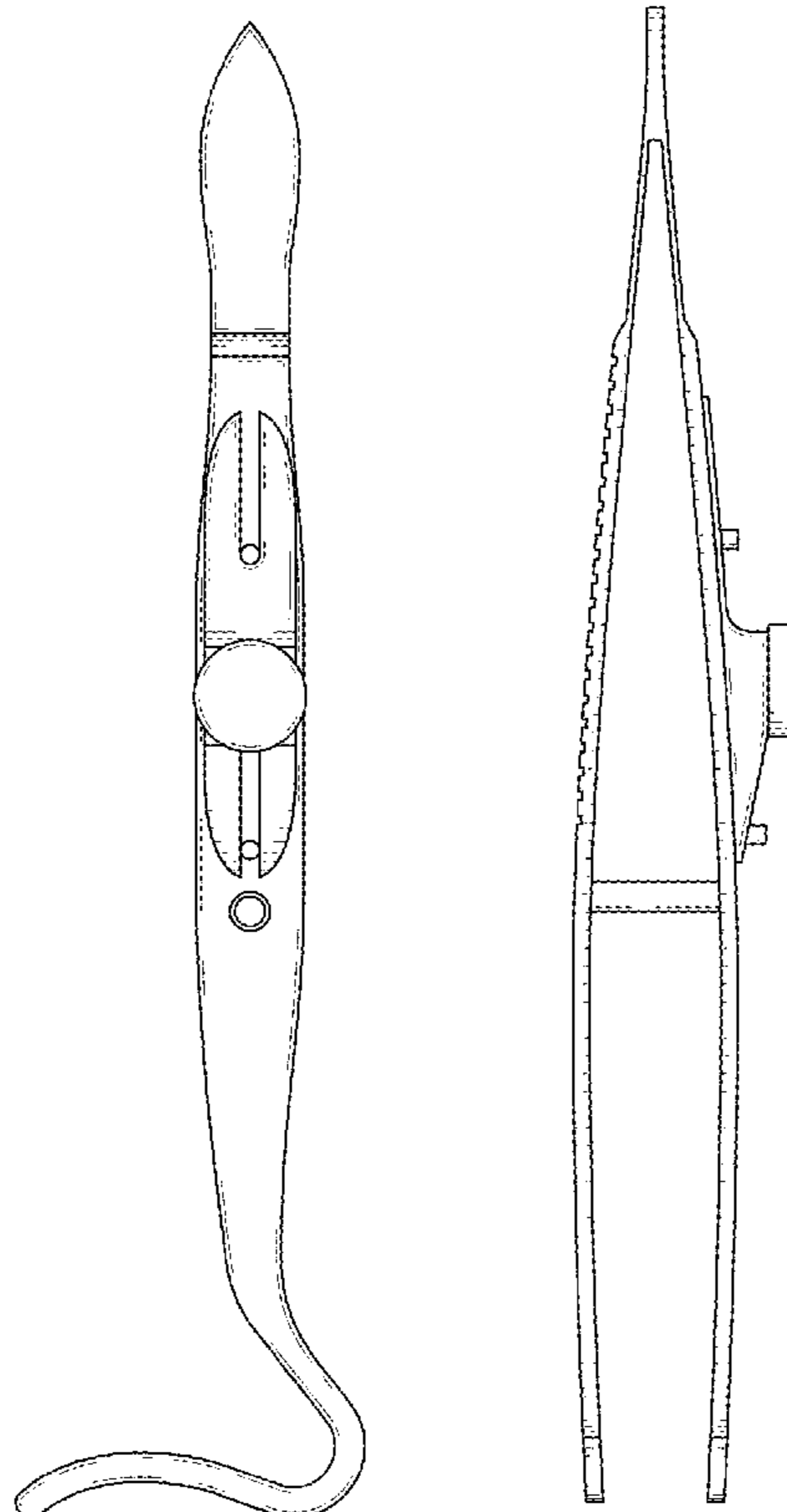
(57) **CLAIM**

The ornamental design for the surgical ocular clip, as shown and described.

DESCRIPTION

FIG. 1 is a top view of the present invention; and FIG. 2 is a bottom view of the present invention; and FIG. 3 is a left side view of the present invention; and FIG. 4 is a right side of the present invention; and FIG. 5 is a rear end view of the present invention; and, FIG. 6 is a front end view of the present invention.

1 Claim, 2 Drawing Sheets



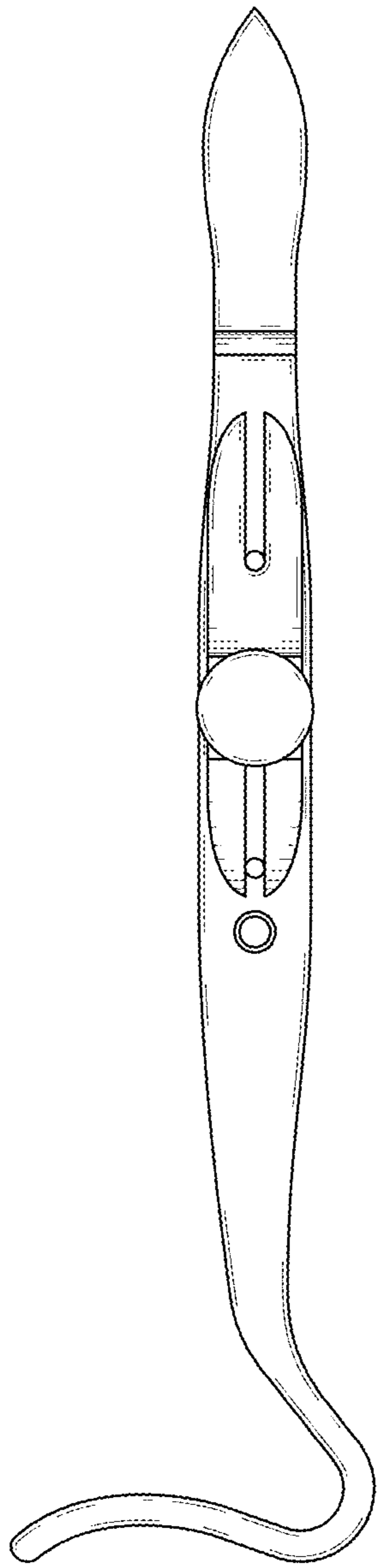


FIG. 1

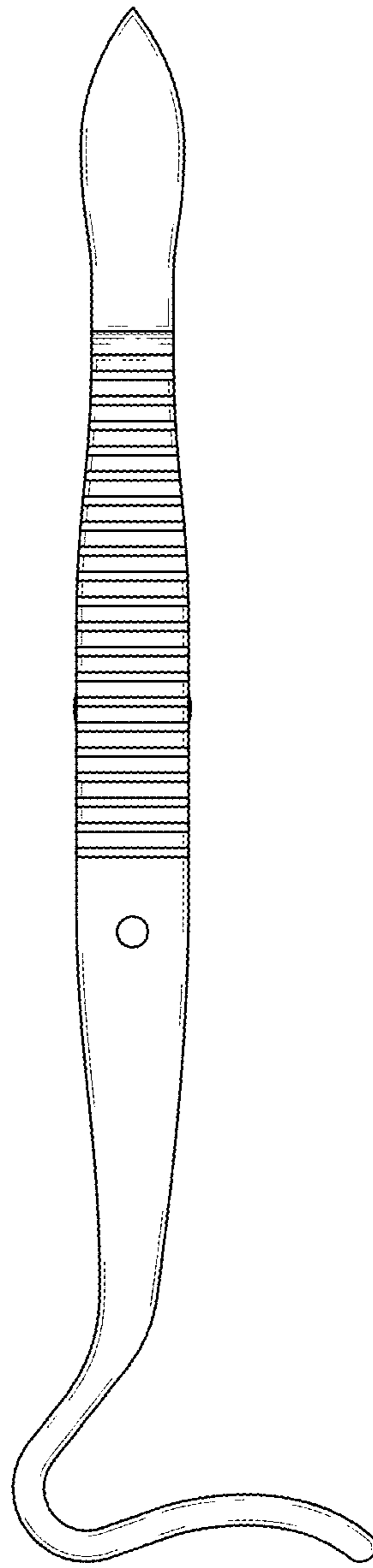


FIG. 2

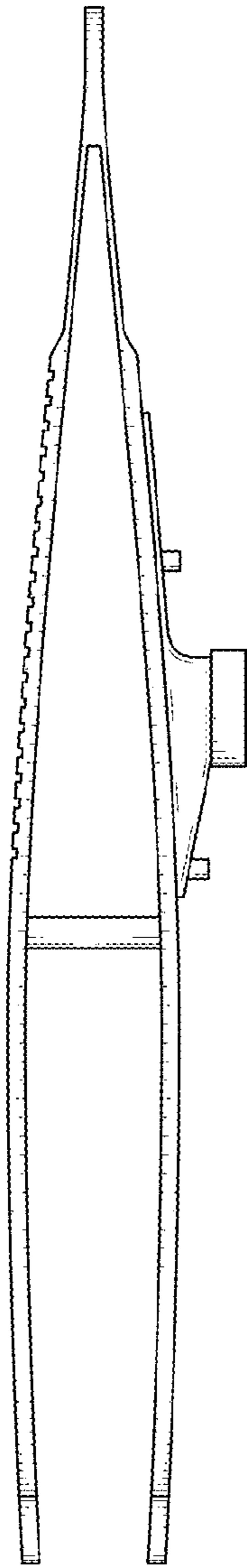


FIG. 3

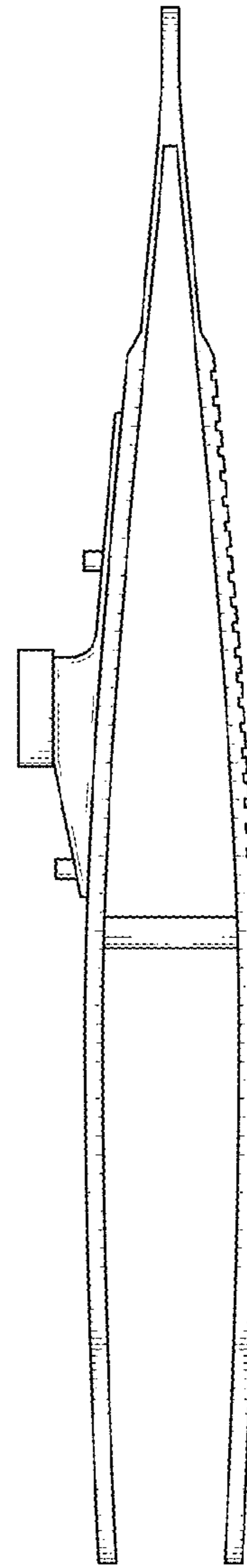


FIG. 4

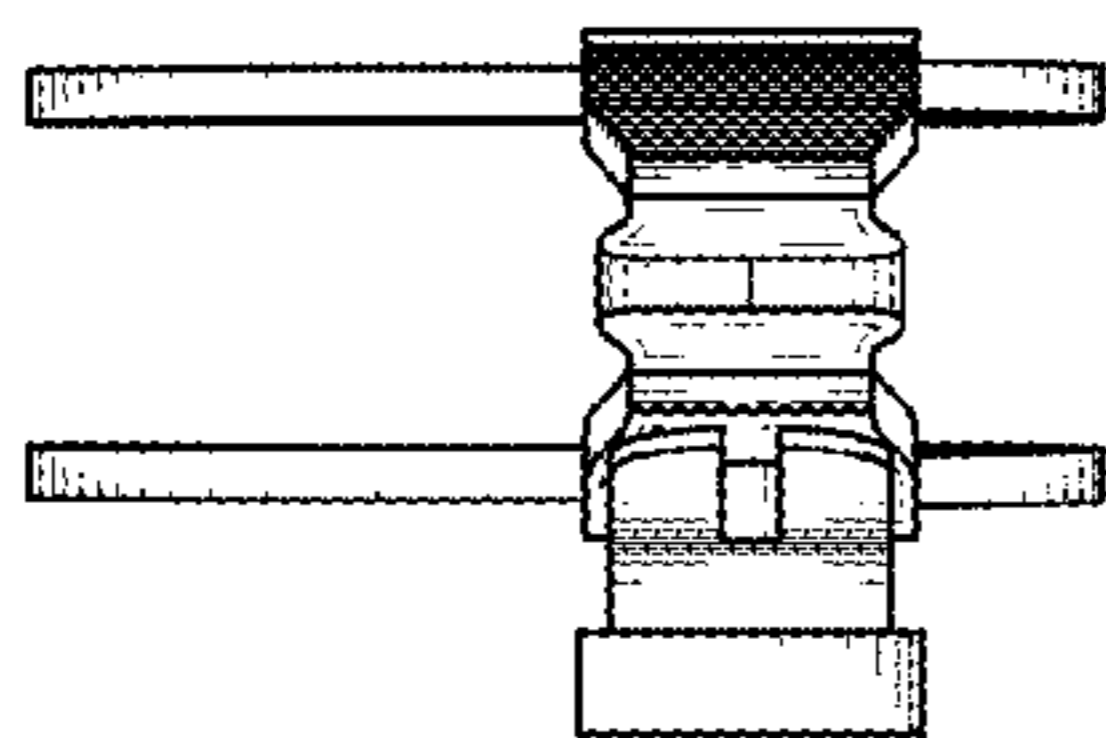


FIG. 5

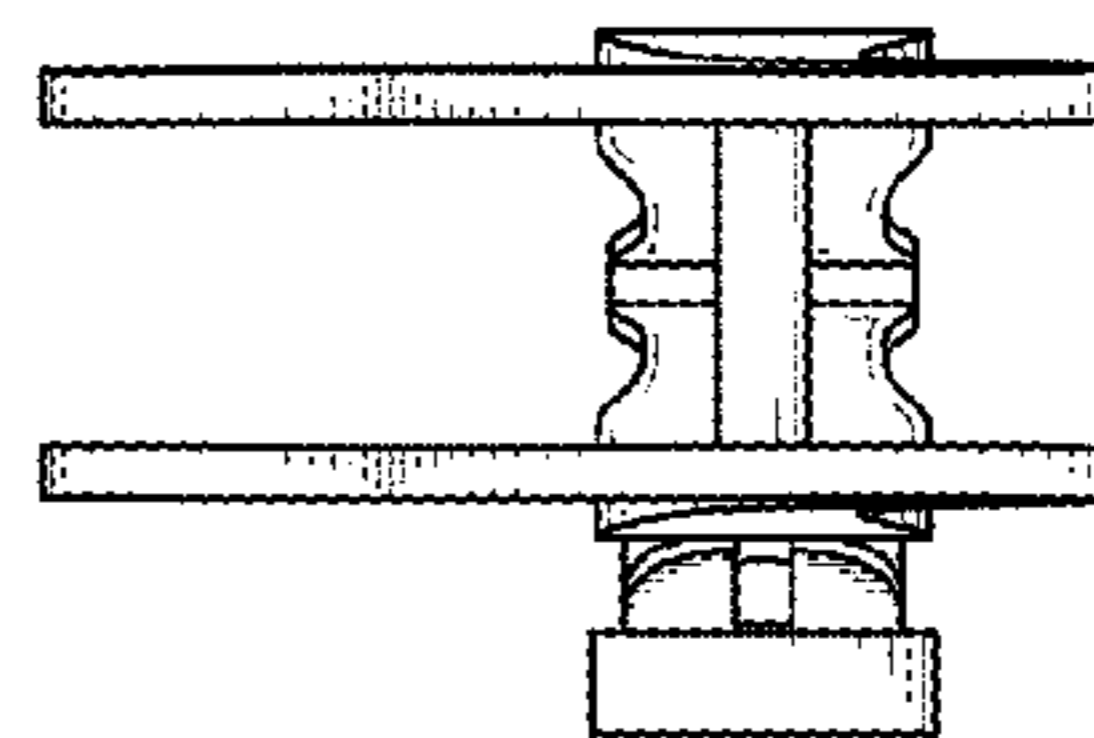


FIG. 6