



US00D740415S

(12) **United States Design Patent**
Johnson et al.

(10) **Patent No.:** **US D740,415 S**

(45) **Date of Patent:** **** Oct. 6, 2015**

(54) **STETHOSCOPE CHESTPIECE**

(71) Applicant: **3M INNOVATIVE PROPERTIES COMPANY**, St. Paul, MN (US)

(72) Inventors: **Mary Jo Johnson**, Lake Elmo, MN (US); **Thomas G. Skulley**, St. Paul, MN (US)

(73) Assignee: **3M Innovative Properties Company**, St. Paul, MN (US)

(**) Term: **14 Years**

(21) Appl. No.: **29/498,678**

(22) Filed: **Aug. 6, 2014**

(51) **LOC (10) Cl.** **24-02**

(52) **U.S. Cl.**
USPC **D24/134**

(58) **Field of Classification Search**
USPC D24/134, 140, 155, 171, 133, 143, 145, D24/146, 147
CPC A61B 7/02; A61B 7/04; A61B 17/17; A61B 17/16; A61B 17/11; A61B 17/00; A61B 18/00; A61B 19/00; A61B 17/1675; A61B 17/1764; A61B 17/1767; A61F 2/46; A61F 2/4601; A61F 2/4603; A61F 2/461; A61F 2/3868; A61F 2002/4631
See application file for complete search history.

(56) **References Cited**

U.S. PATENT DOCUMENTS

1,559,147 A * 10/1925 Aurness 181/131
3,193,047 A * 7/1965 Allen 181/137

3,316,998 A * 5/1967 Krug 181/137
5,467,775 A * 11/1995 Callahan et al. 600/528
D390,660 S * 2/1998 Rashman et al. D24/134
D401,337 S * 11/1998 Rashman D24/134
D432,237 S * 10/2000 Shick D24/134
D463,551 S * 9/2002 Werblud D24/134
D729,681 S * 5/2015 Lee D11/3
2001/0030077 A1 * 10/2001 Watson 181/131
2004/0114767 A1 * 6/2004 Tseng 381/67
2008/0093157 A1 * 4/2008 Drummond et al. 181/131
2012/0190303 A1 * 7/2012 Wong 455/41.2

* cited by examiner

Primary Examiner — Bridget L Eland

Assistant Examiner — Lauren McVey

(57) **CLAIM**

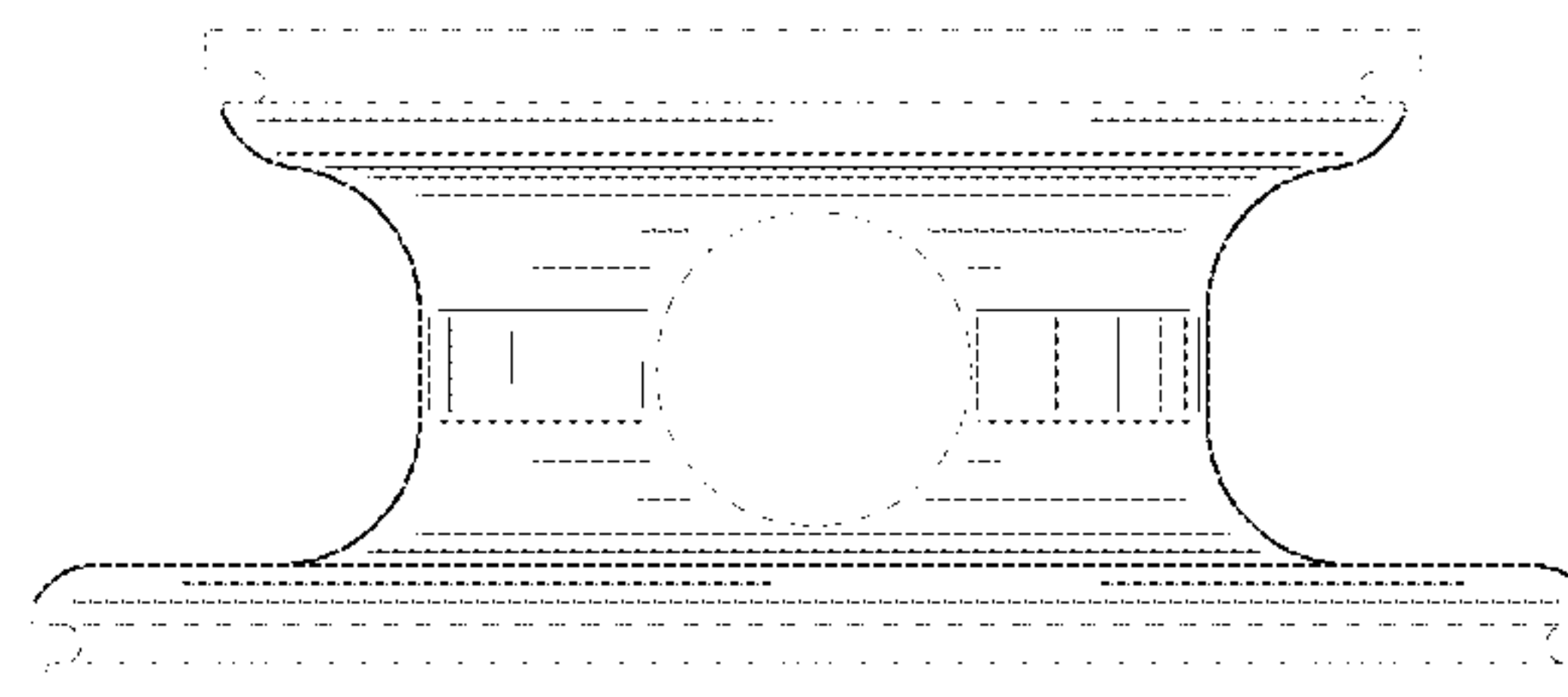
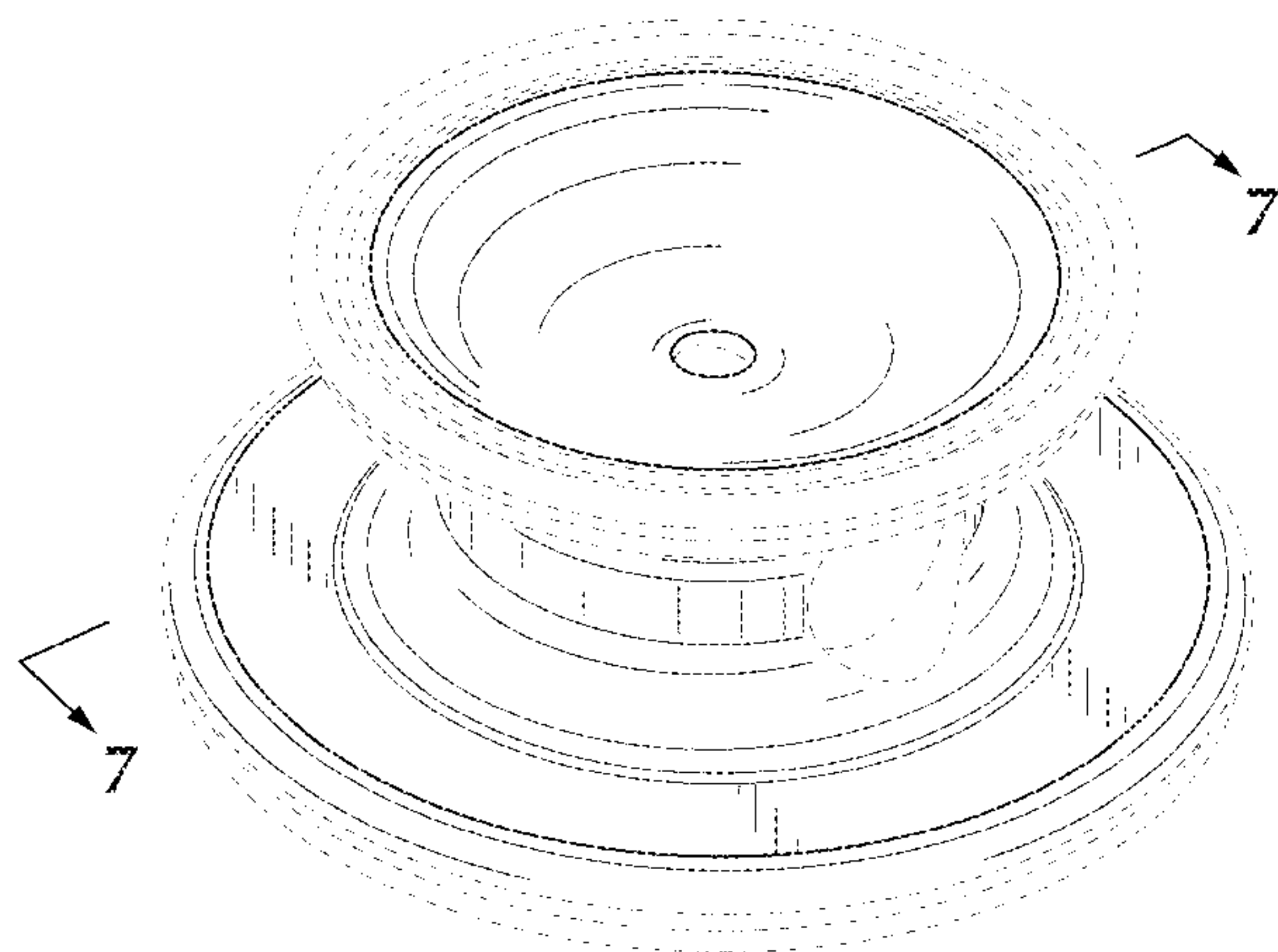
The ornamental design for a stethoscope chestpiece, substantially as shown and described.

DESCRIPTION

FIG. 1 is a perspective view of a stethoscope chestpiece showing our new design;
FIG. 2 is a right side elevation view thereof, and the left side elevation view being a mirror image thereof;
FIG. 3 is a top plan view thereof;
FIG. 4 is a front elevation view thereof;
FIG. 5 is a bottom plan view thereof;
FIG. 6 is a rear elevation view thereof; and,
FIG. 7 is a cross-sectional view taken in the direction of line 7-7 of FIG. 1.

The broken lines are directed to environment and form no part of the claimed design.

1 Claim, 4 Drawing Sheets



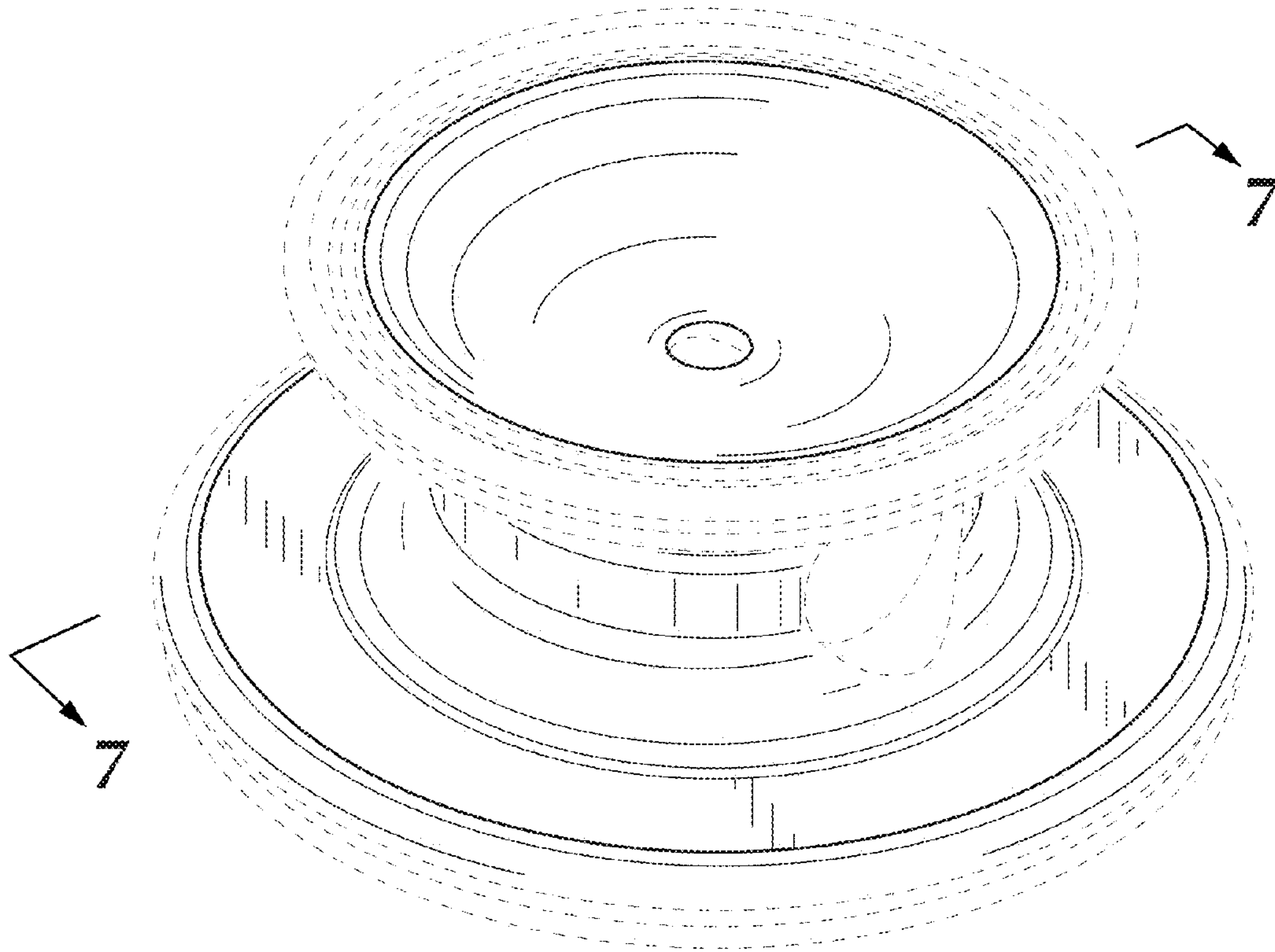


FIG. 1

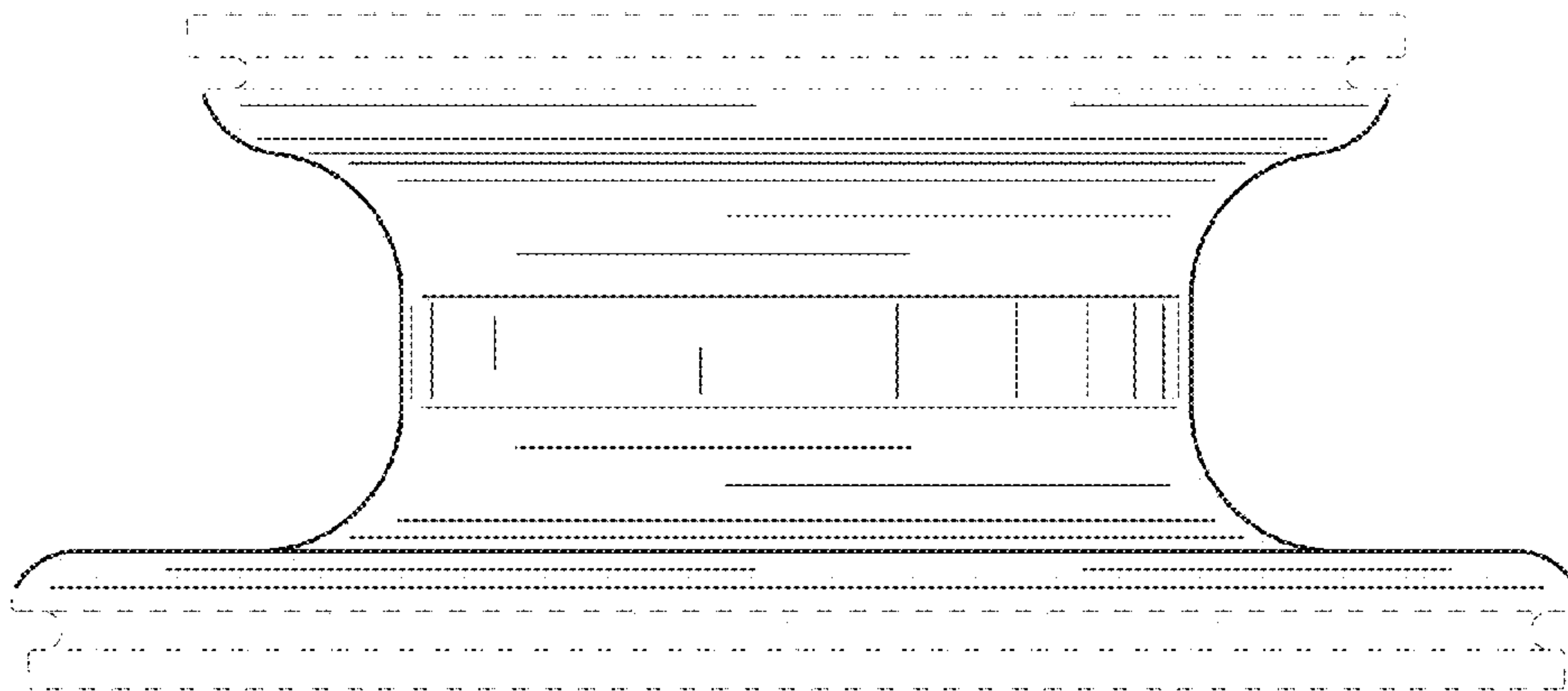


FIG. 2

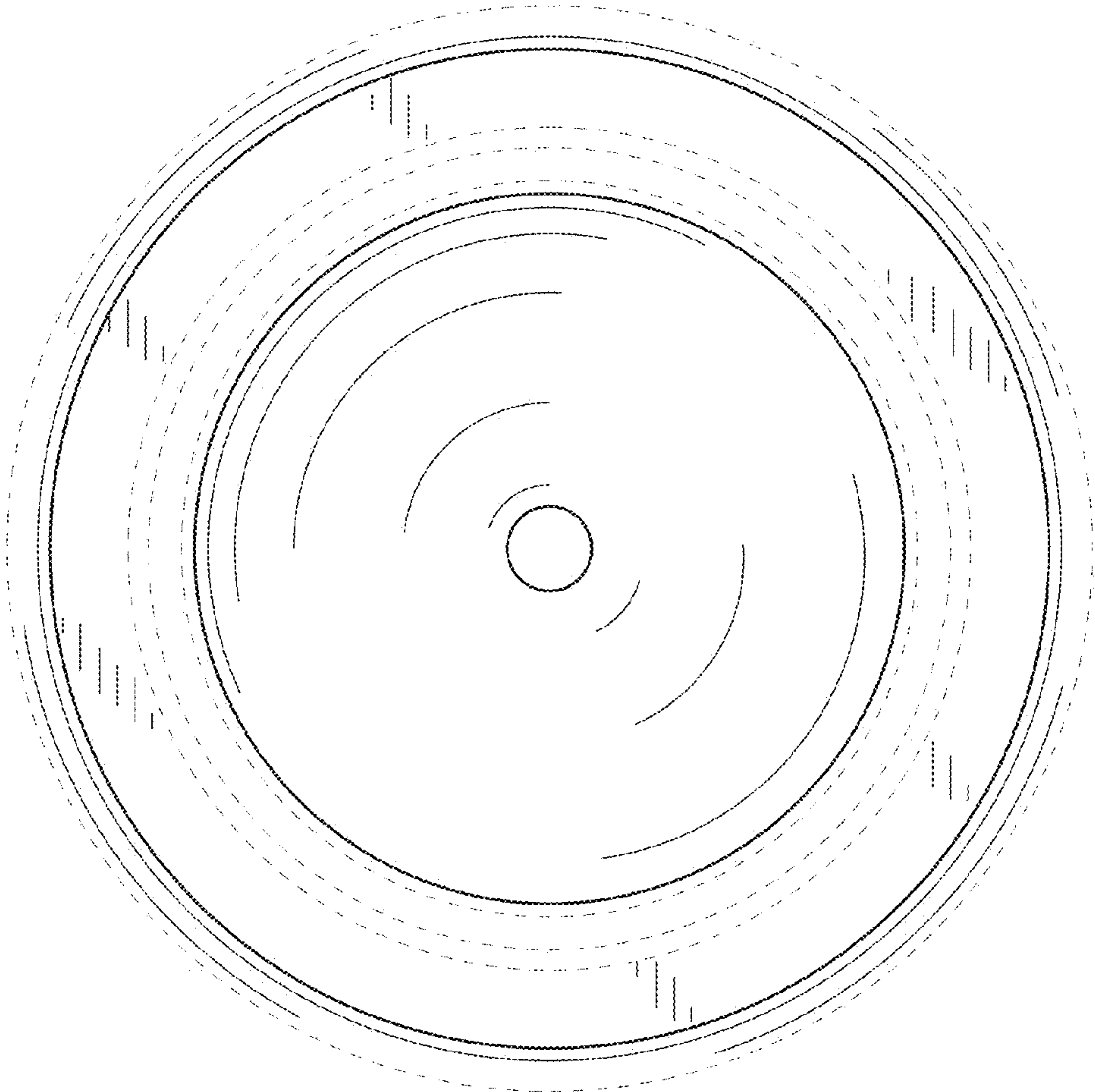


FIG. 3

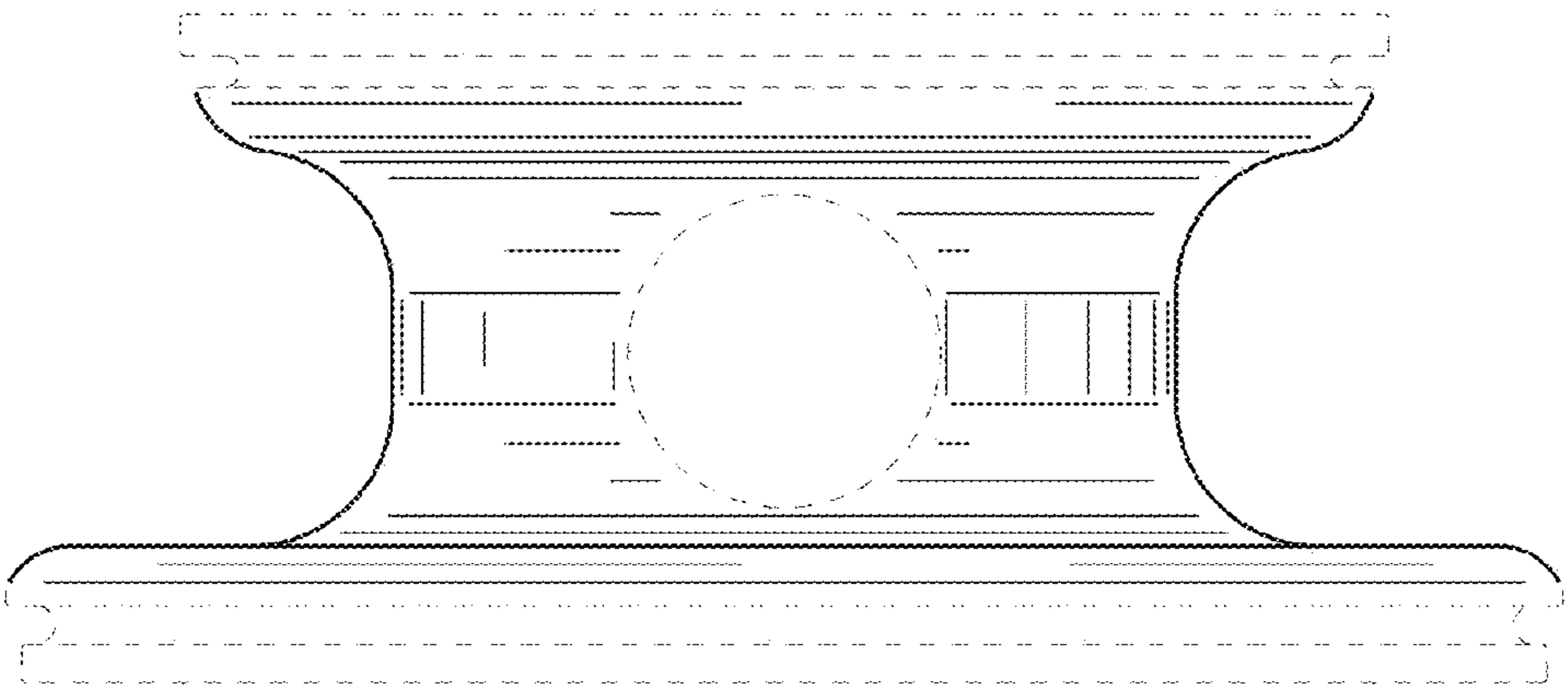


FIG. 4

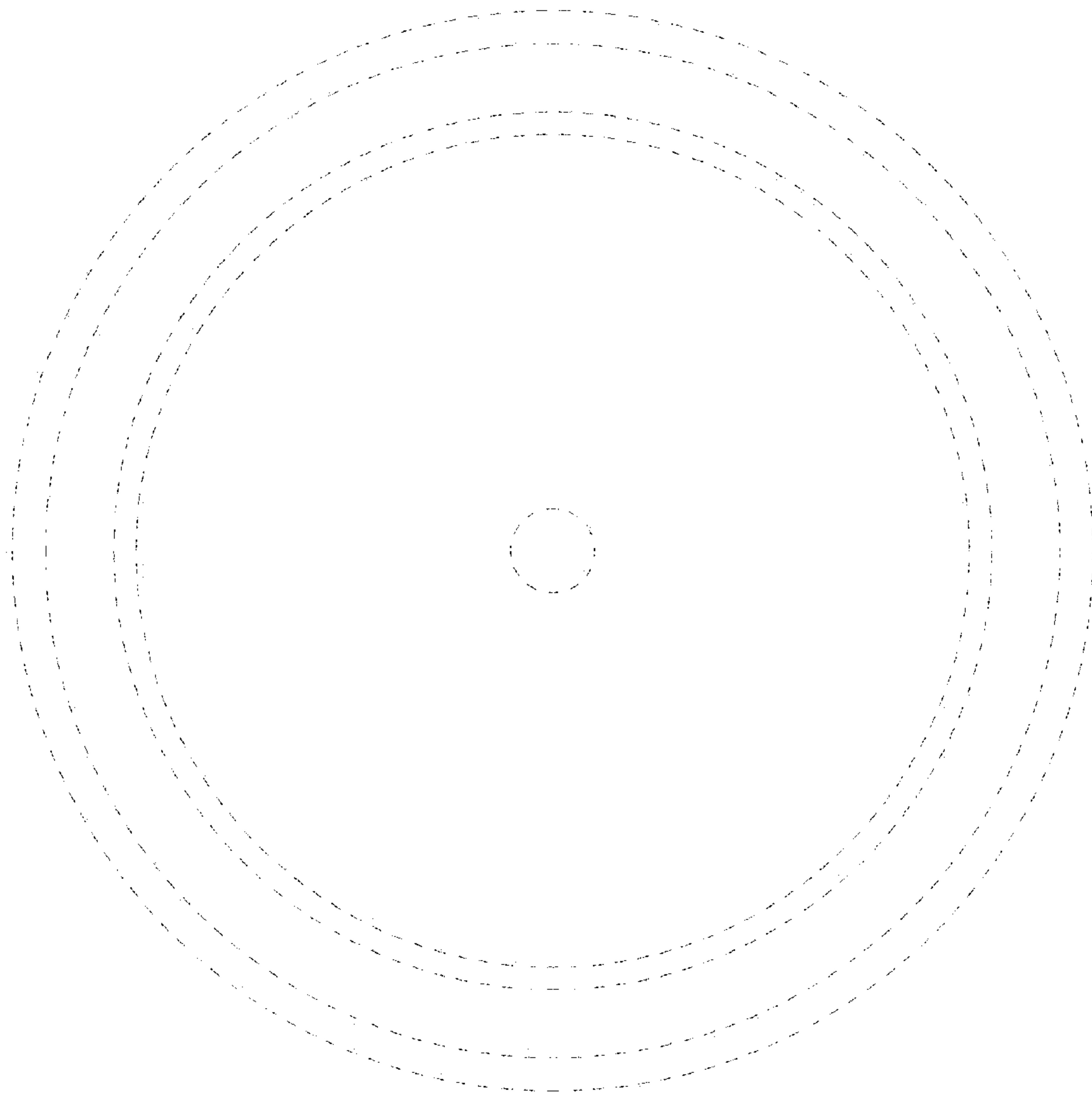


FIG. 5

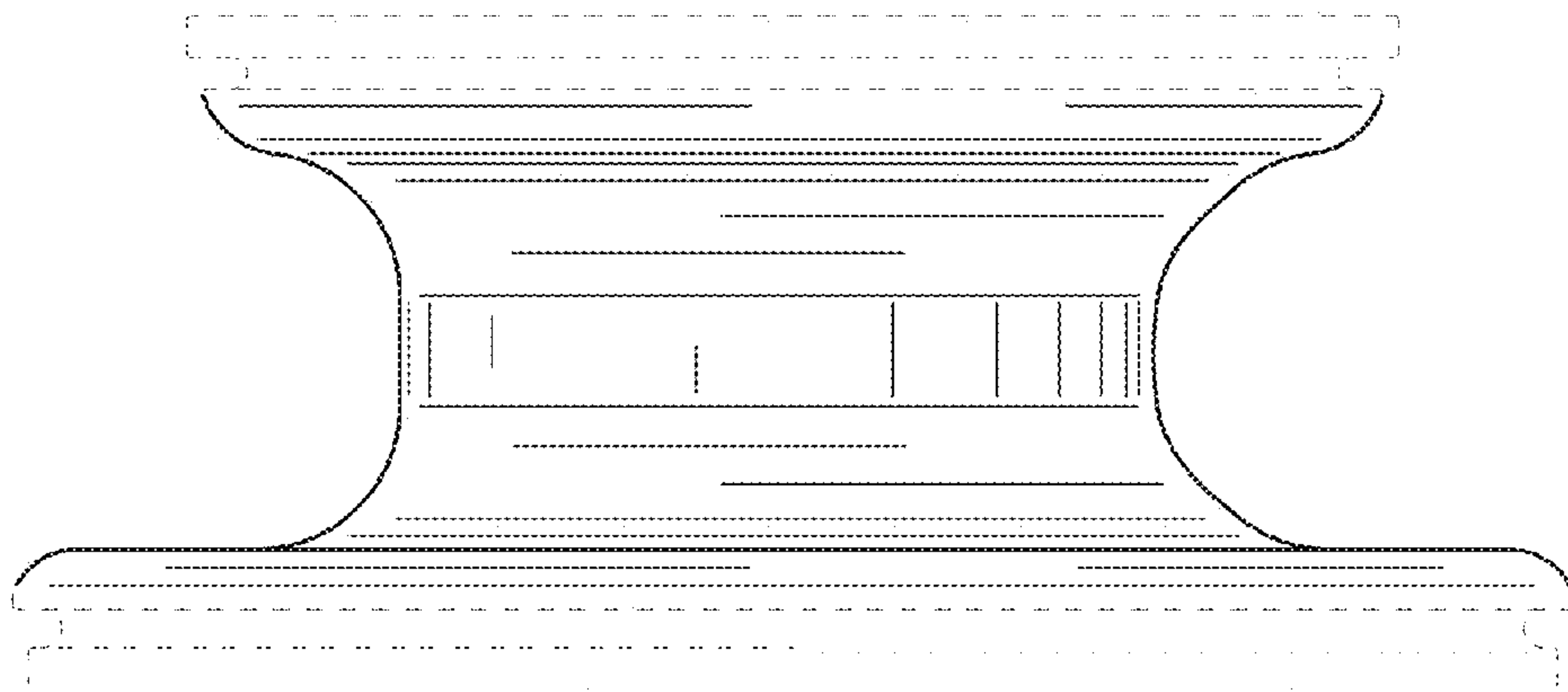


FIG. 6

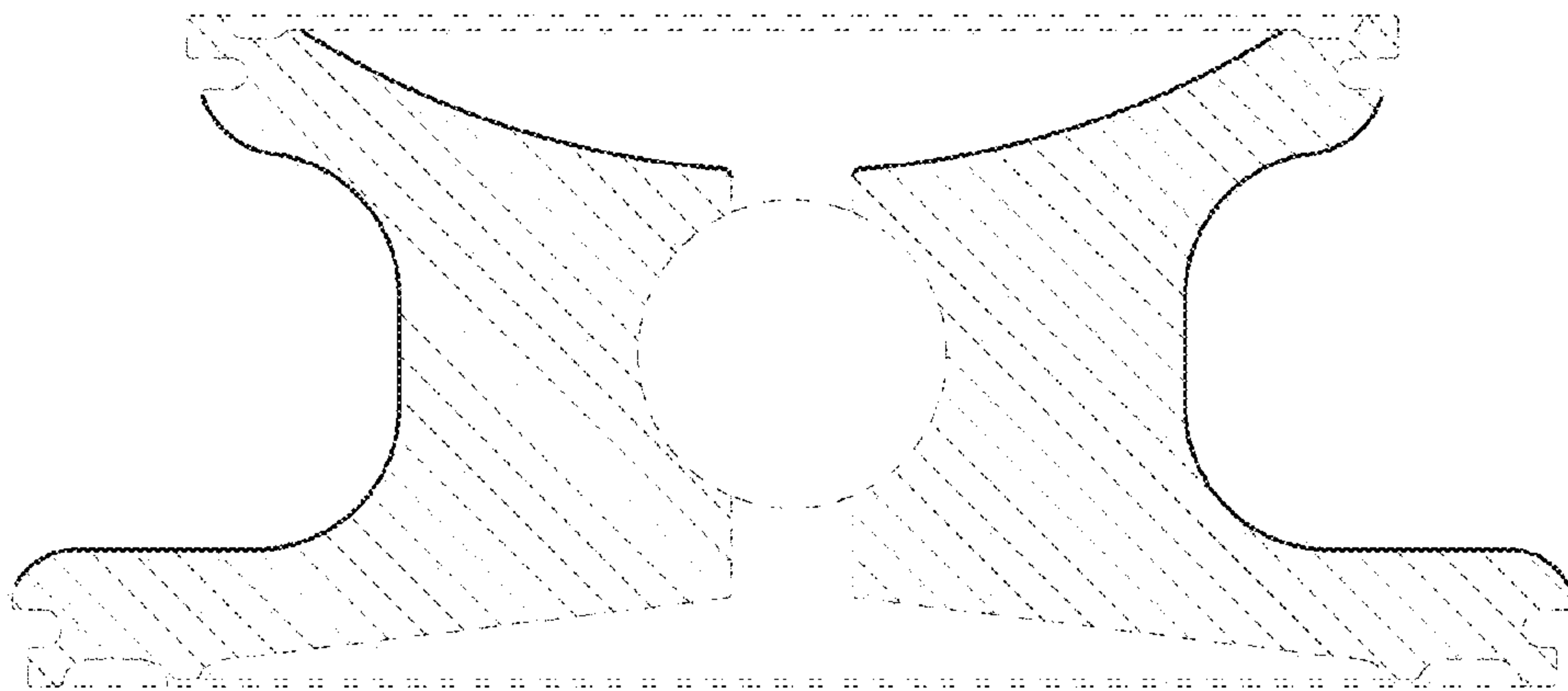


FIG. 7