



US00D740414S

(12) **United States Design Patent**
Katsura

(10) **Patent No.:** **US D740,414 S**
(45) **Date of Patent:** **** Oct. 6, 2015**

(54) **OPERATION HANDLE FOR MEDICAL MANIPULATOR SYSTEM**

(71) Applicant: **TERUMO KABUSHIKI KAISHA,**
Tokyo (JP)

(72) Inventor: **Hideki Katsura,** Tokyo (JP)

(73) Assignee: **KARL STORZ GmbH & Co. KG,**
Tuttlingen (DE)

(**) Term: **14 Years**

(21) Appl. No.: **29/481,632**

(22) Filed: **Feb. 7, 2014**

(30) **Foreign Application Priority Data**

Aug. 30, 2013 (JP) 2013-020091

(51) **LOC (10) Cl.** **24-02**

(52) **U.S. Cl.**
USPC **D24/133**

(58) **Field of Classification Search**
USPC D24/133, 153, 143, 144, 146, 147, 148,
D24/145, 132; D8/51, 52, 54; 606/45, 51,
606/41, 1, 40, 167, 174, 277, 324, 120, 147,
606/151, 205, 206, 207
See application file for complete search history.

(56) **References Cited**

U.S. PATENT DOCUMENTS

D454,951	S	*	3/2002	Bon	D24/112
D466,209	S	*	11/2002	Bon	D24/112
D509,589	S	*	9/2005	Wells	D24/145
D606,192	S	*	12/2009	Summerer et al.	D24/133
D636,872	S	*	4/2011	Marescaux et al.	D24/133
D637,288	S	*	5/2011	Houghton	D24/133
8,241,282	B2	*	8/2012	Unger et al.	606/51
D679,010	S	*	3/2013	Kitayama et al.	D24/133

D679,011	S	*	3/2013	Kitayama et al.	D24/133
D687,549	S	*	8/2013	Johnson et al.	D24/133
D693,466	S	*	11/2013	Dallemagne et al.	D24/144
D697,618	S	*	1/2014	Gonzales et al.	D24/133
D704,333	S	*	5/2014	Casey et al.	D24/133
D708,742	S	*	7/2014	Dallemagne et al.	D24/133
D717,431	S	*	11/2014	Cardinale et al.	D24/133
2011/0054468	A1	*	3/2011	Dycus	606/45
2011/0060356	A1	*	3/2011	Reschke et al.	606/167
2011/0190765	A1	*	8/2011	Chojin	606/41
2011/0251611	A1	*	10/2011	Horner et al.	606/49
2012/0022583	A1	*	1/2012	Sugalski et al.	606/205

* cited by examiner

Primary Examiner — Ian Simmons

Assistant Examiner — Samantha Q Lawrence

(74) *Attorney, Agent, or Firm* — Muncy, Geissler, Olds & Lowe, P.C.

(57) **CLAIM**

The ornamental design for an operation handle for a medical manipulator system, as shown and described.

DESCRIPTION

FIG. 1 is a front perspective view of an operation handle for medical manipulator system showing my new design;
FIG. 2 is a rear perspective view thereof;
FIG. 3 is a front view thereof;
FIG. 4 is a rear view thereof;
FIG. 5 is a left side view thereof;
FIG. 6 is a right side view thereof;
FIG. 7 is a top plan view thereof; and,
FIG. 8 is a bottom view thereof.

The operation handle is shown with a symbolic break in its length. The appearance of any portion of the article between the break lines forms no part of the claimed design.

The dashed lines illustrate portions of the medical manipulator that form no part of the claimed design.

1 Claim, 6 Drawing Sheets

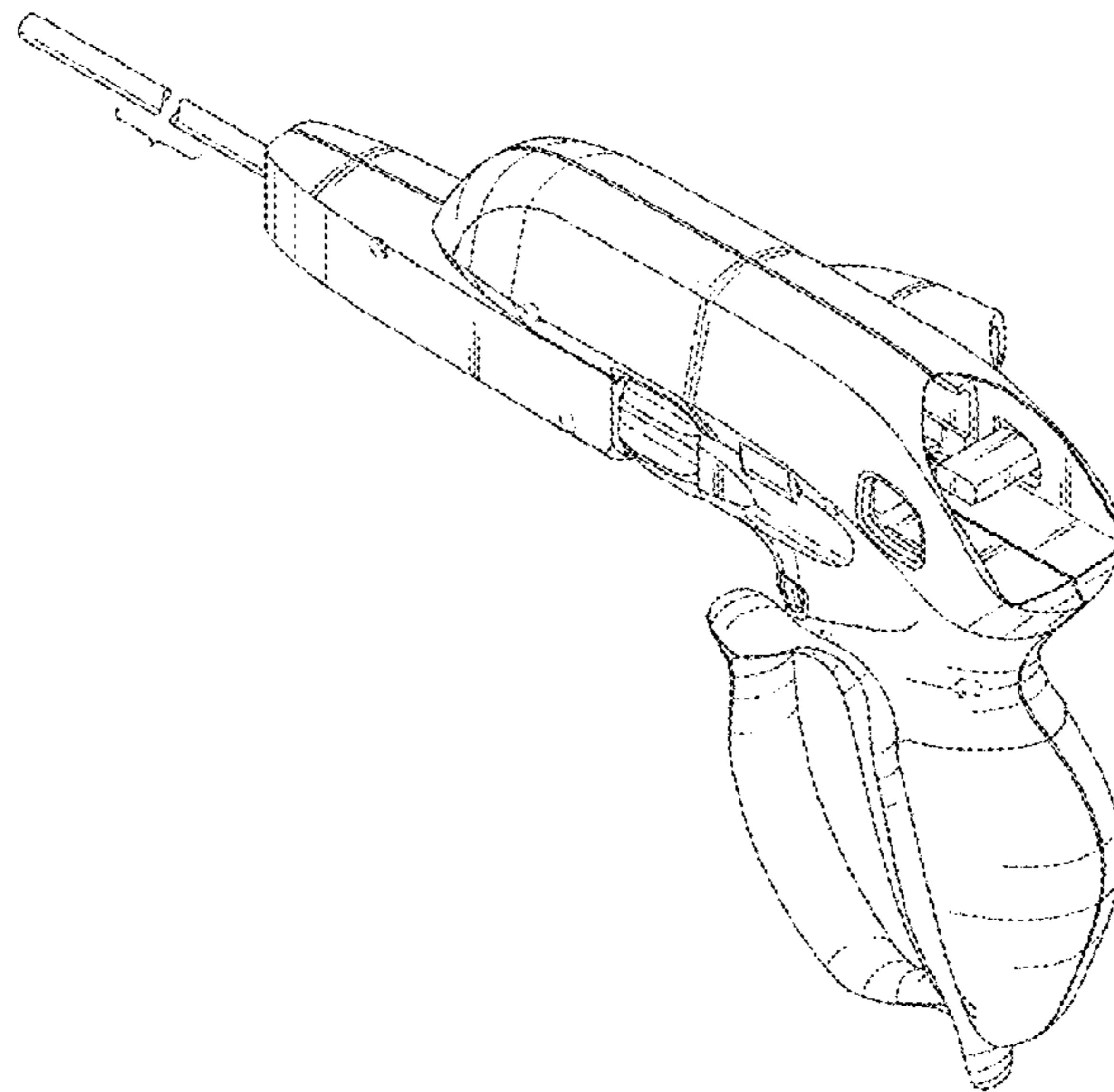
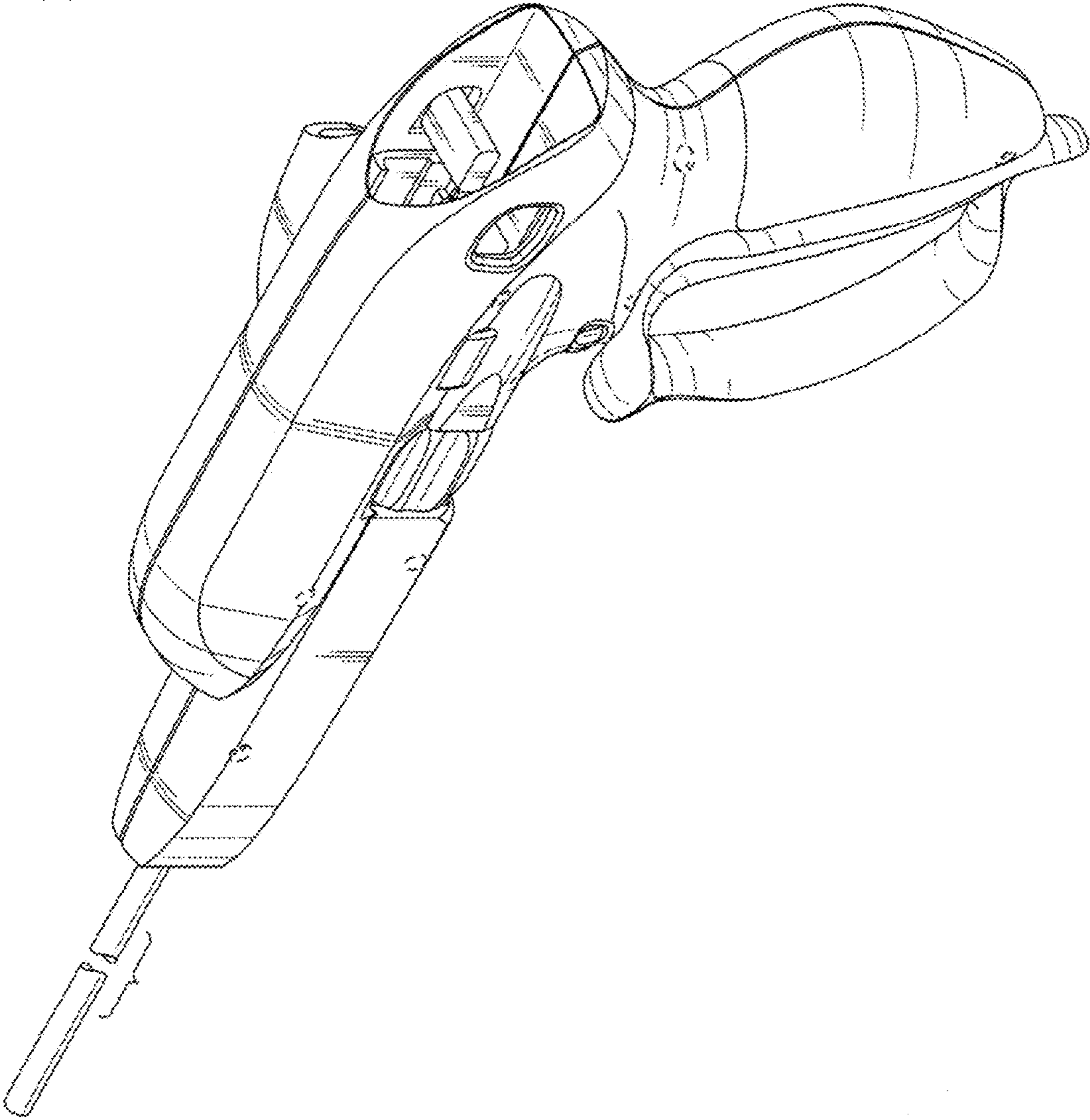


Fig. 1



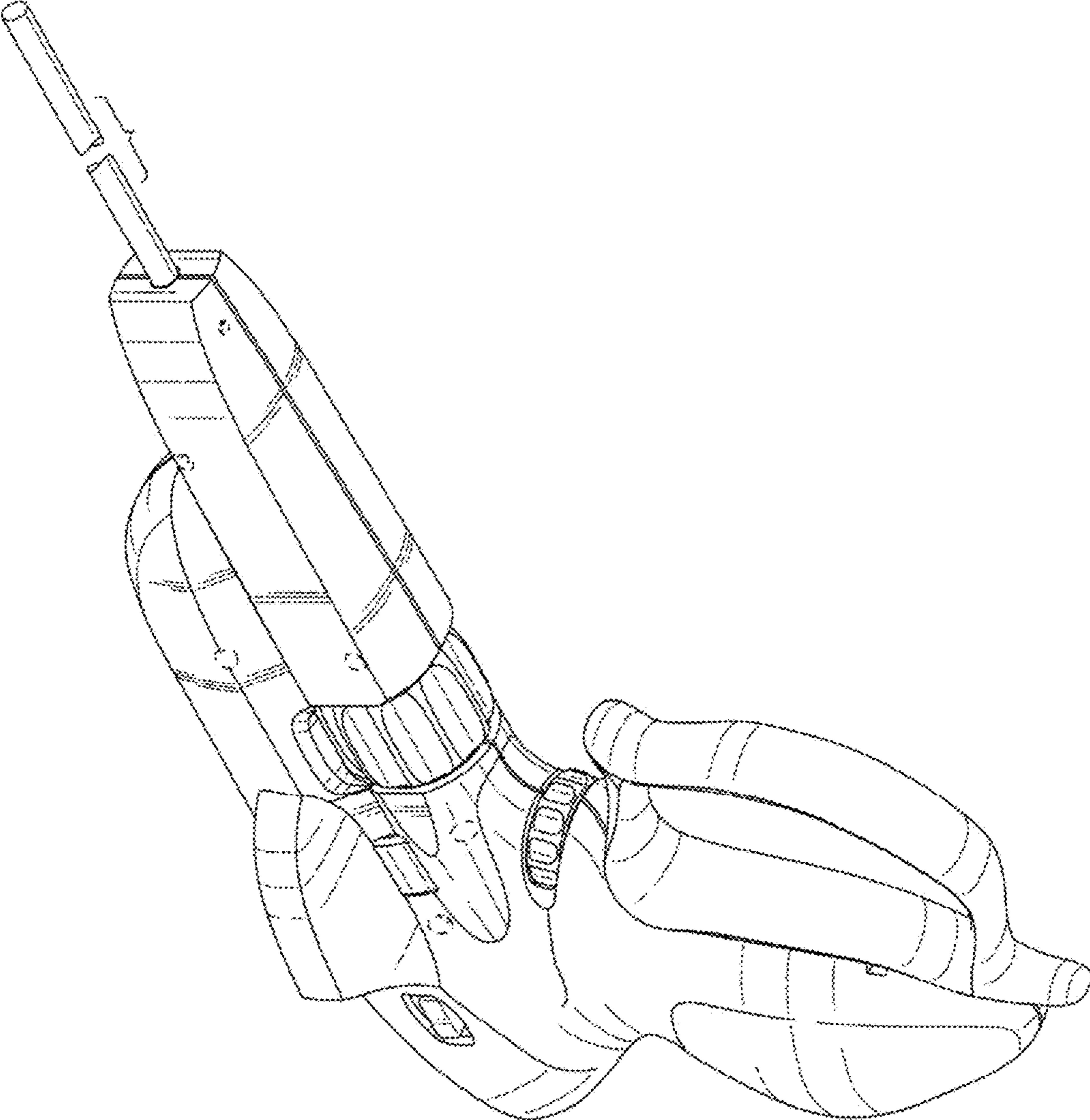


Fig. 2

Fig. 3

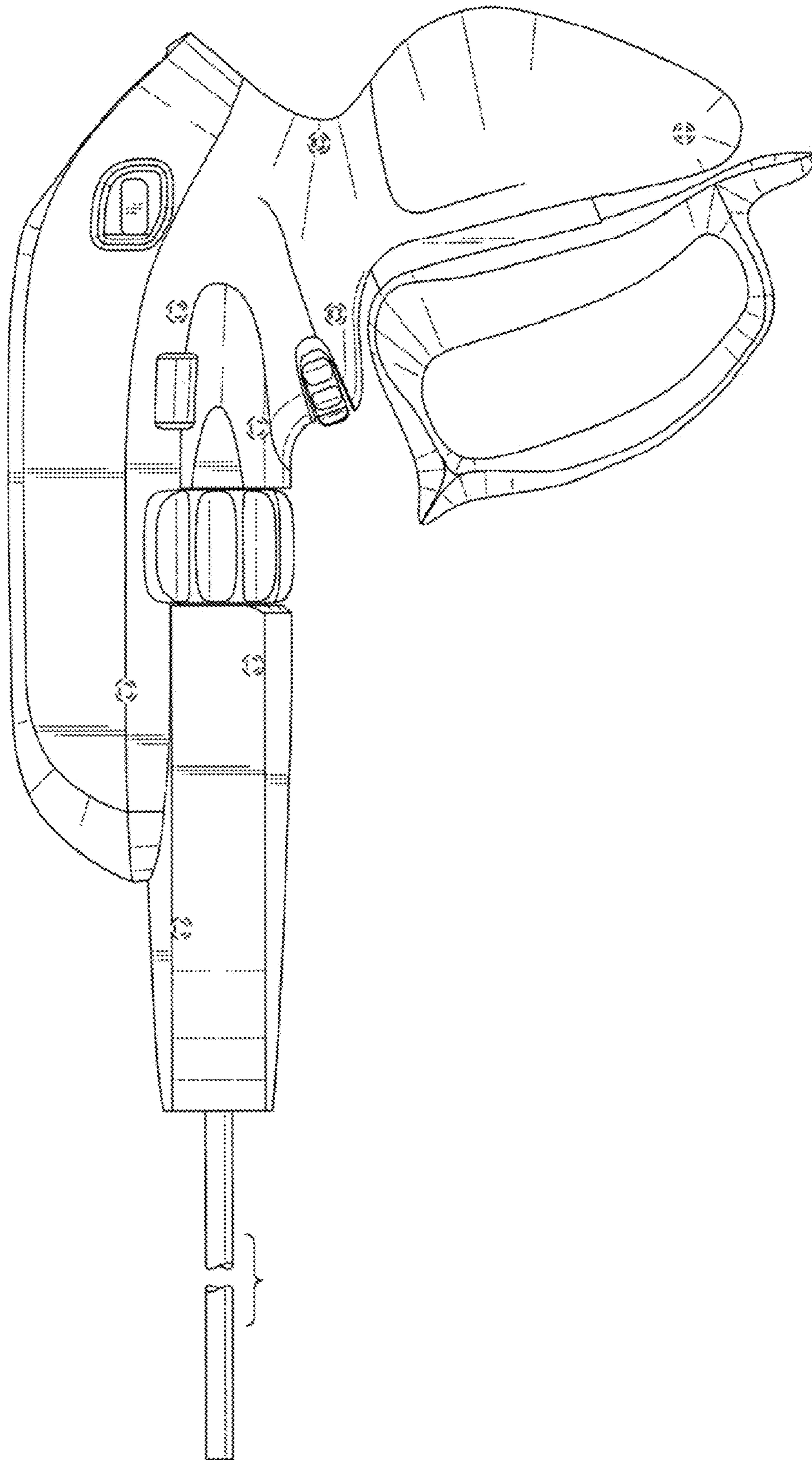


Fig. 4

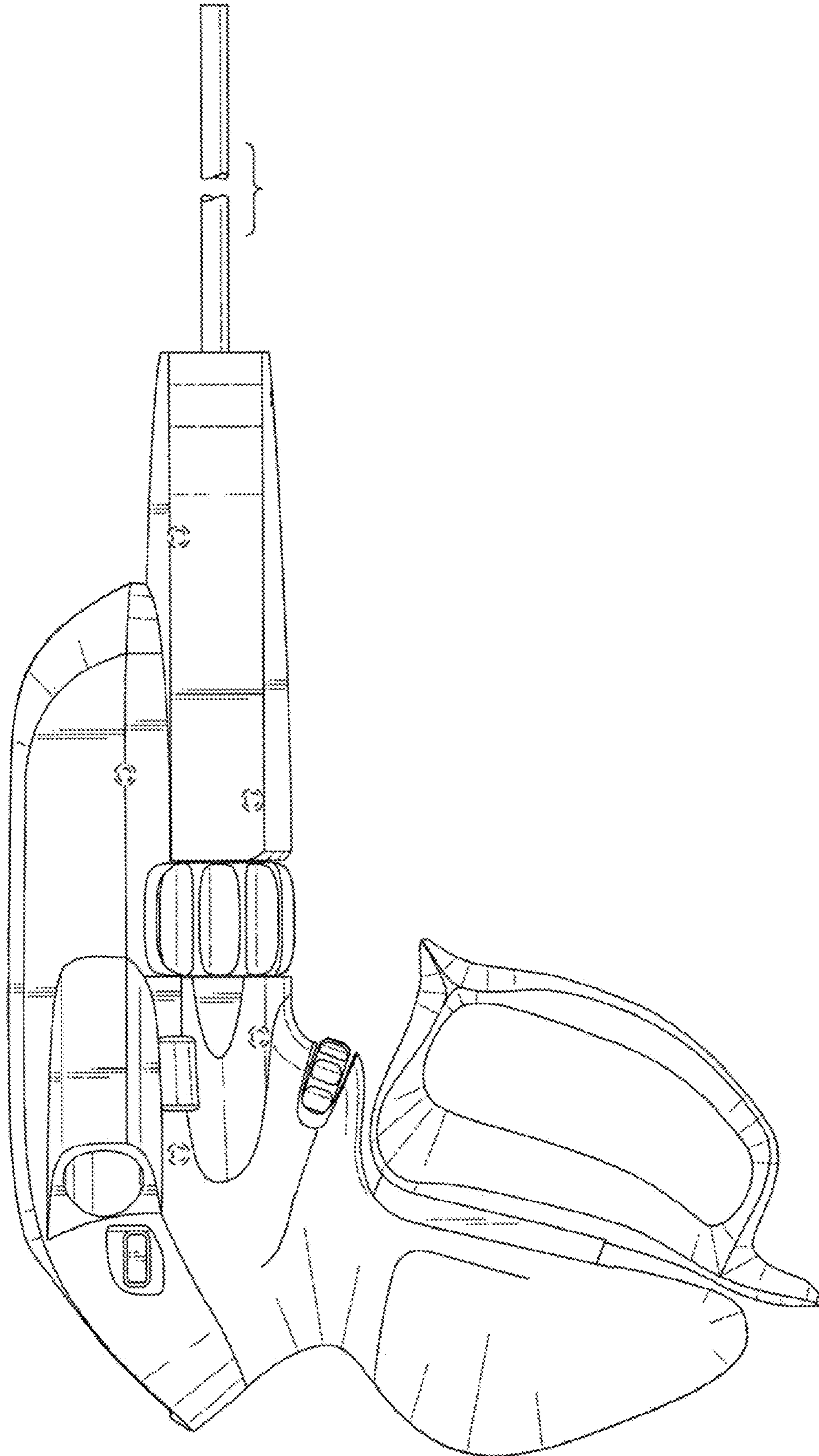


Fig. 6

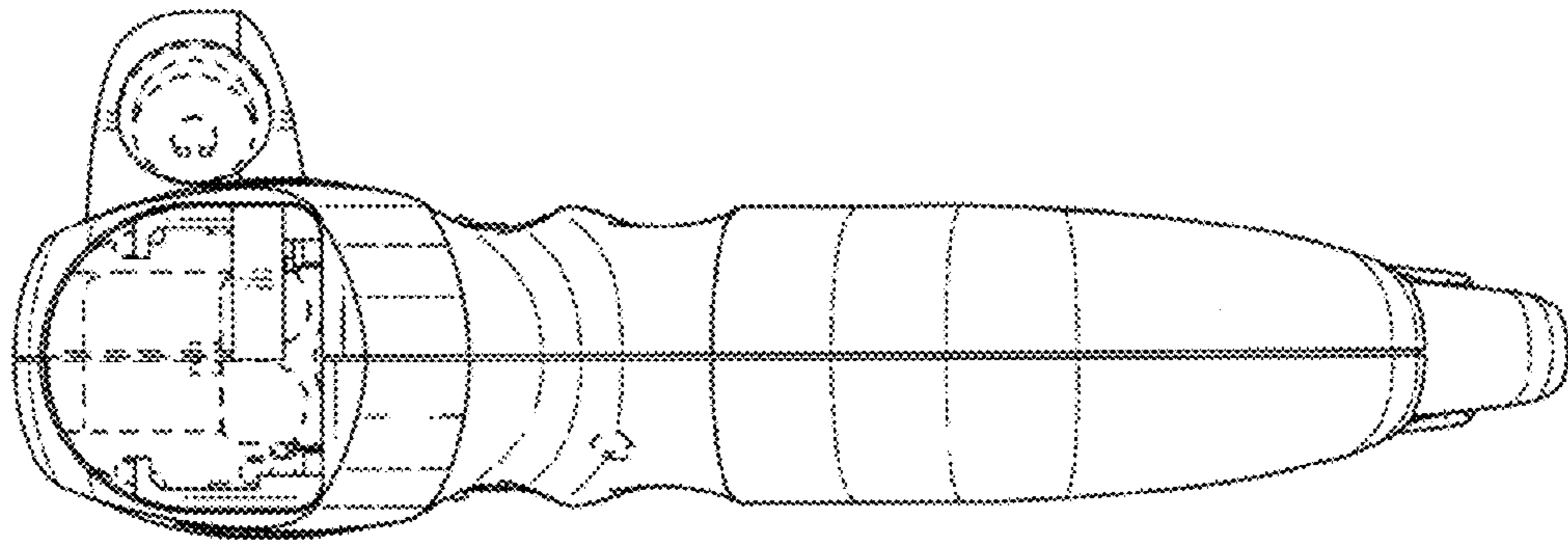


Fig. 5

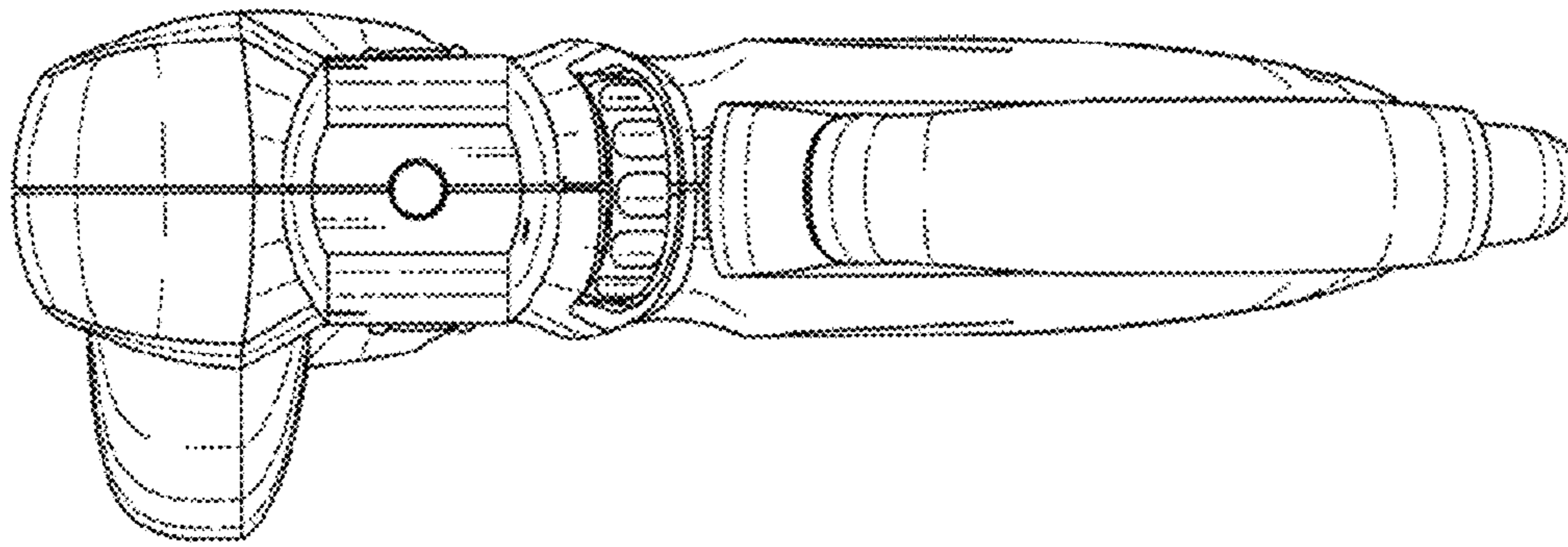


Fig. 7

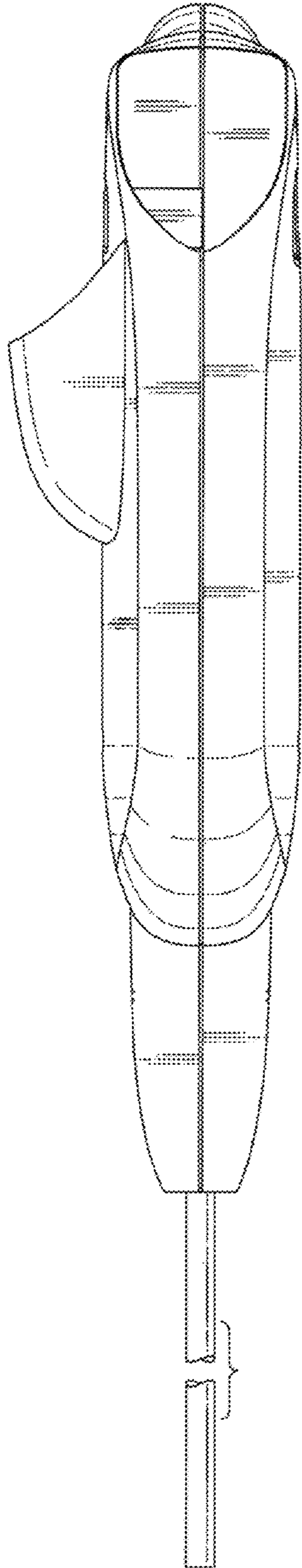


Fig. 8

