



US00D740411S

(12) **United States Design Patent**  
**Lee-Sepsick**

(10) **Patent No.:** **US D740,411 S**

(45) **Date of Patent:** **\*\* Oct. 6, 2015**

(54) **DEVICE FOR PRESSURE CONTROL**

(71) Applicant: **Kathy Lee-Sepsick**, Suwanee, GA (US)

(72) Inventor: **Kathy Lee-Sepsick**, Suwanee, GA (US)

(73) Assignee: **FEMASYS INC.**, Suwanee, GA (US)

(\*\*) Term: **14 Years**

(21) Appl. No.: **29/432,907**

(22) Filed: **Sep. 21, 2012**

(51) **LOC (10) Cl.** ..... **24-04**

(52) **U.S. Cl.**  
USPC ..... **D24/129**

(58) **Field of Classification Search**  
USPC ..... D24/110.6, 129, 127, 130, 112-114,  
D24/133, 186; D23/233-235; 128/201.28,  
128/202.27-202.29, 230.11,  
128/204.18-205.26; 604/232, 187, 158,  
604/164.08, 192, 263, 163, 181, 184, 198,  
604/227; 606/181, 185  
See application file for complete search history.

(56) **References Cited**

**U.S. PATENT DOCUMENTS**

D156,735	S	*	1/1950	Jacobsson et al.	.....	D23/235
D163,672	S	*	6/1951	Bissell et al.	.....	D23/235
4,649,904	A	*	3/1987	Krauter et al.	.....	600/154
D398,703	S	*	9/1998	Hayes et al.	.....	D23/209

6,123,837	A	*	9/2000	Wadsworth et al.	.....	210/87
D438,592	S	*	3/2001	Gaston et al.	.....	D23/209
D533,622	S	*	12/2006	Ross et al.	.....	D23/209
D541,372	S	*	4/2007	Warren et al.	.....	D23/209
D542,374	S	*	5/2007	Green et al.	.....	D23/209
7,258,781	B2	*	8/2007	Warren et al.	.....	210/87
D586,880	S	*	2/2009	Gaston et al.	.....	D23/209
8,485,179	B1	*	7/2013	Meyer et al.	.....	128/200.24
2013/0306070	A1	*	11/2013	Blair et al.	.....	128/203.15

\* cited by examiner

*Primary Examiner* — David Muller

*Assistant Examiner* — Nathan Johnston

(74) *Attorney, Agent, or Firm* — Ballard Spahr LLP

(57) **CLAIM**

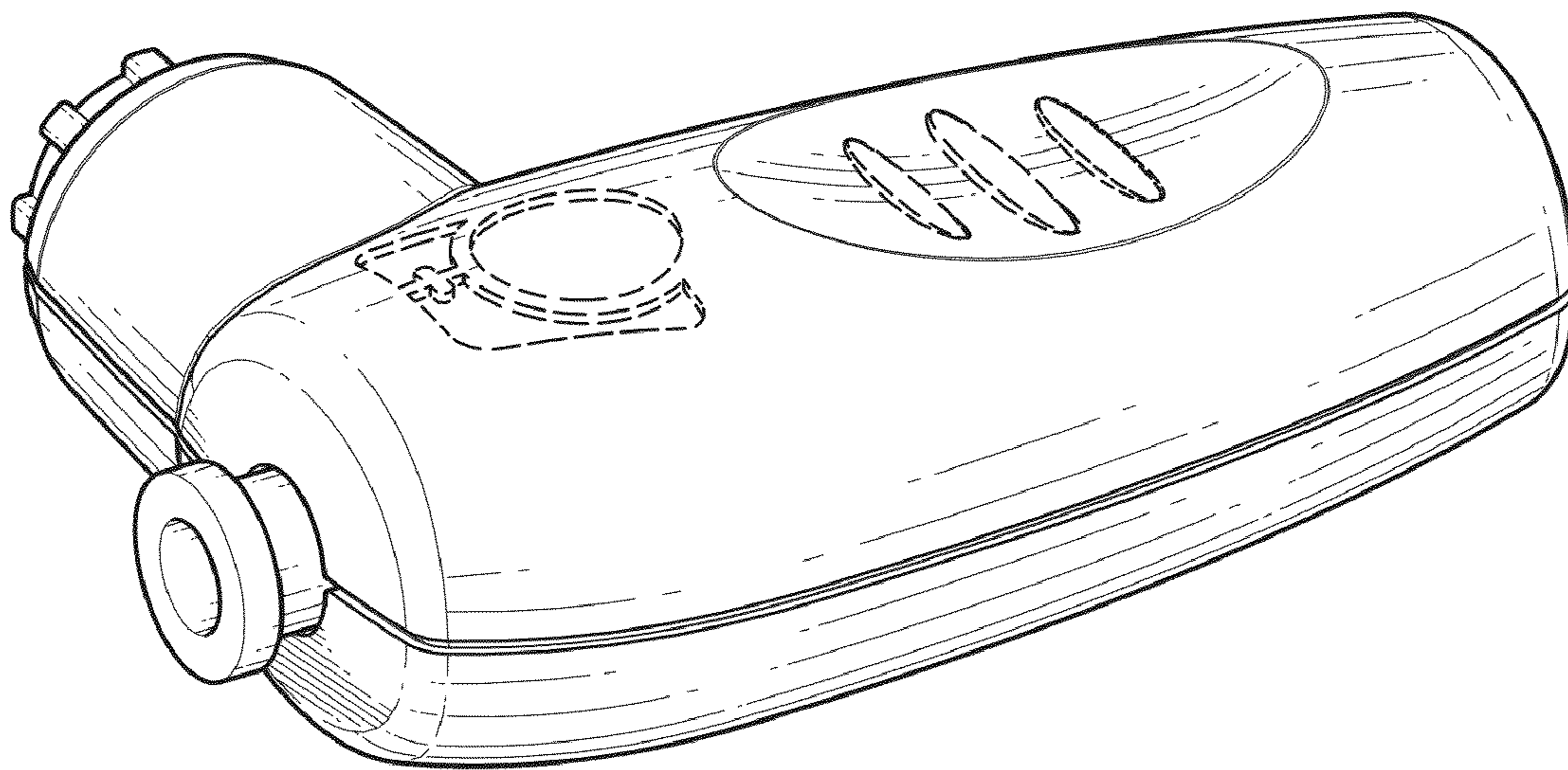
The ornamental design for a device for pressure control, as shown and described.

**DESCRIPTION**

FIG. 1 is a front end perspective view of the device for pressure control of the present invention; FIG. 2 is a left side elevation view thereof; FIG. 3 is right side elevation view thereof; FIG. 4 is a rear end elevation view thereof; FIG. 5 is a front end elevation view thereof; FIG. 6 is a top plan view thereof; FIG. 7 is a bottom plan view thereof; and, FIG. 8 is a rear end perspective view thereof.

The features shown in broken lines depict environmental subject matter only and form no part of the claimed design.

**1 Claim, 5 Drawing Sheets**



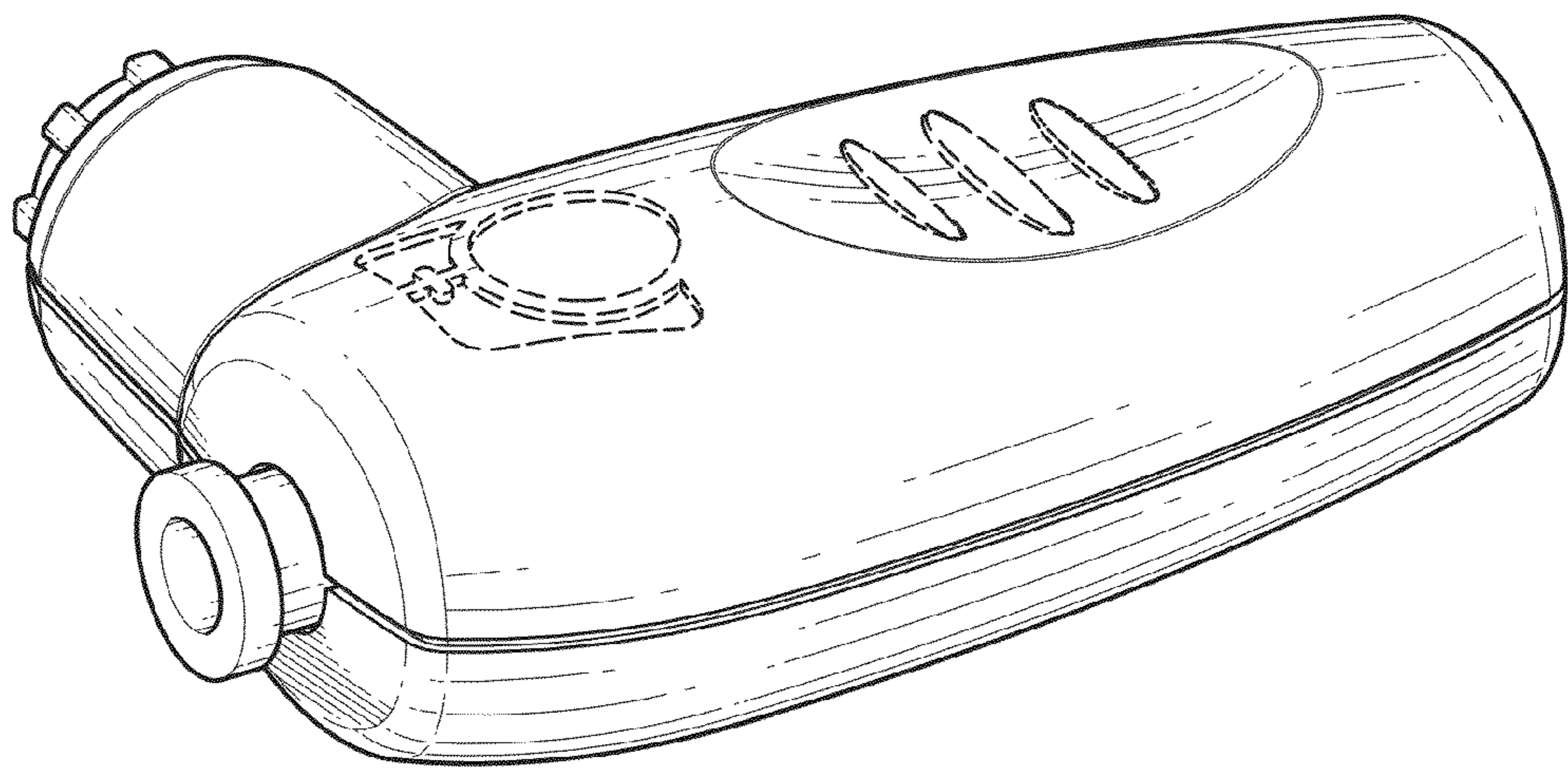


FIG. 1

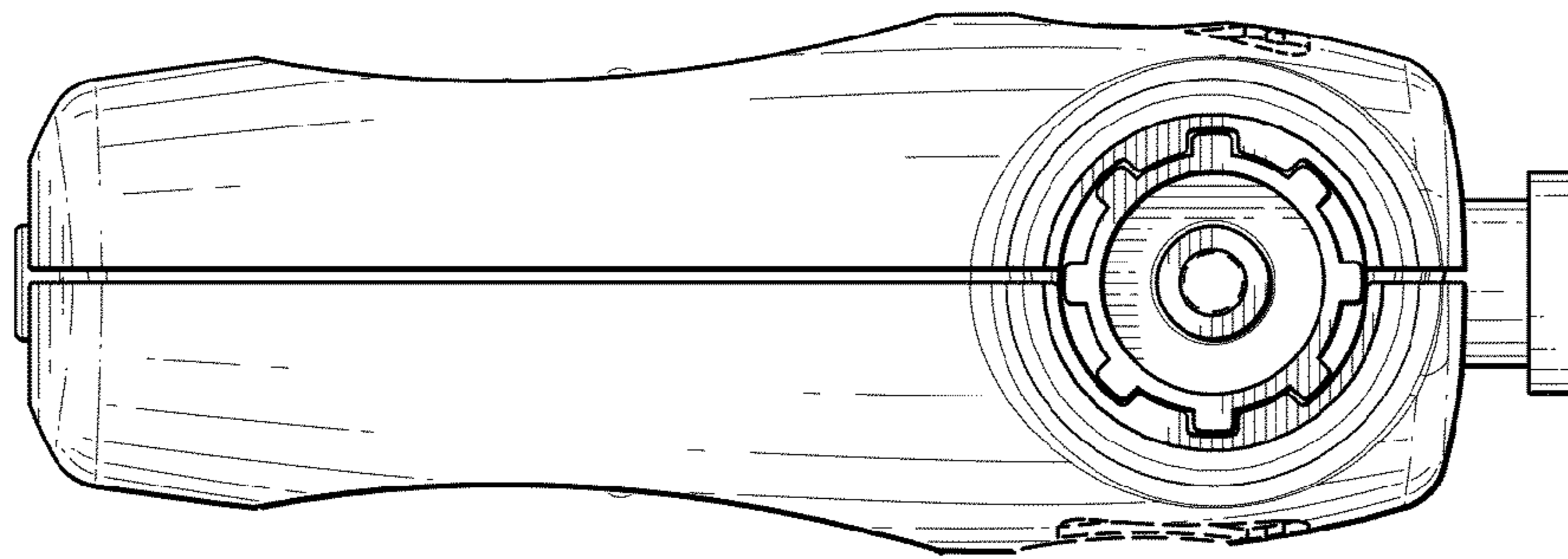


FIG. 2

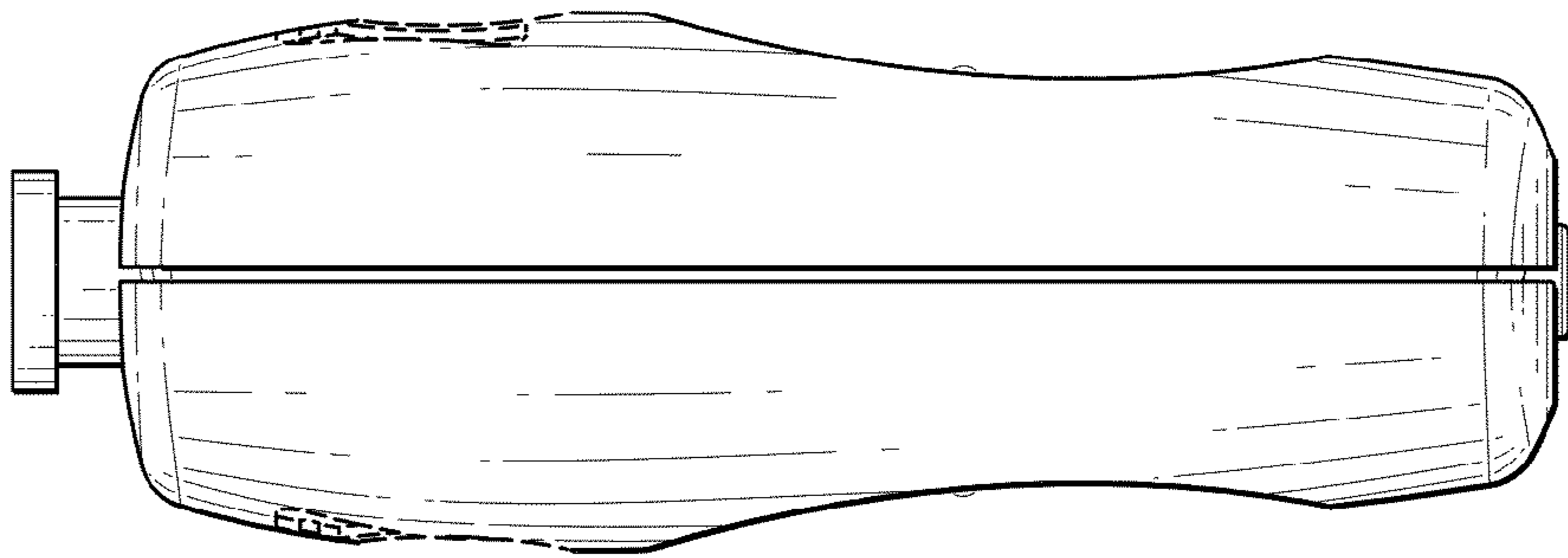


FIG. 3

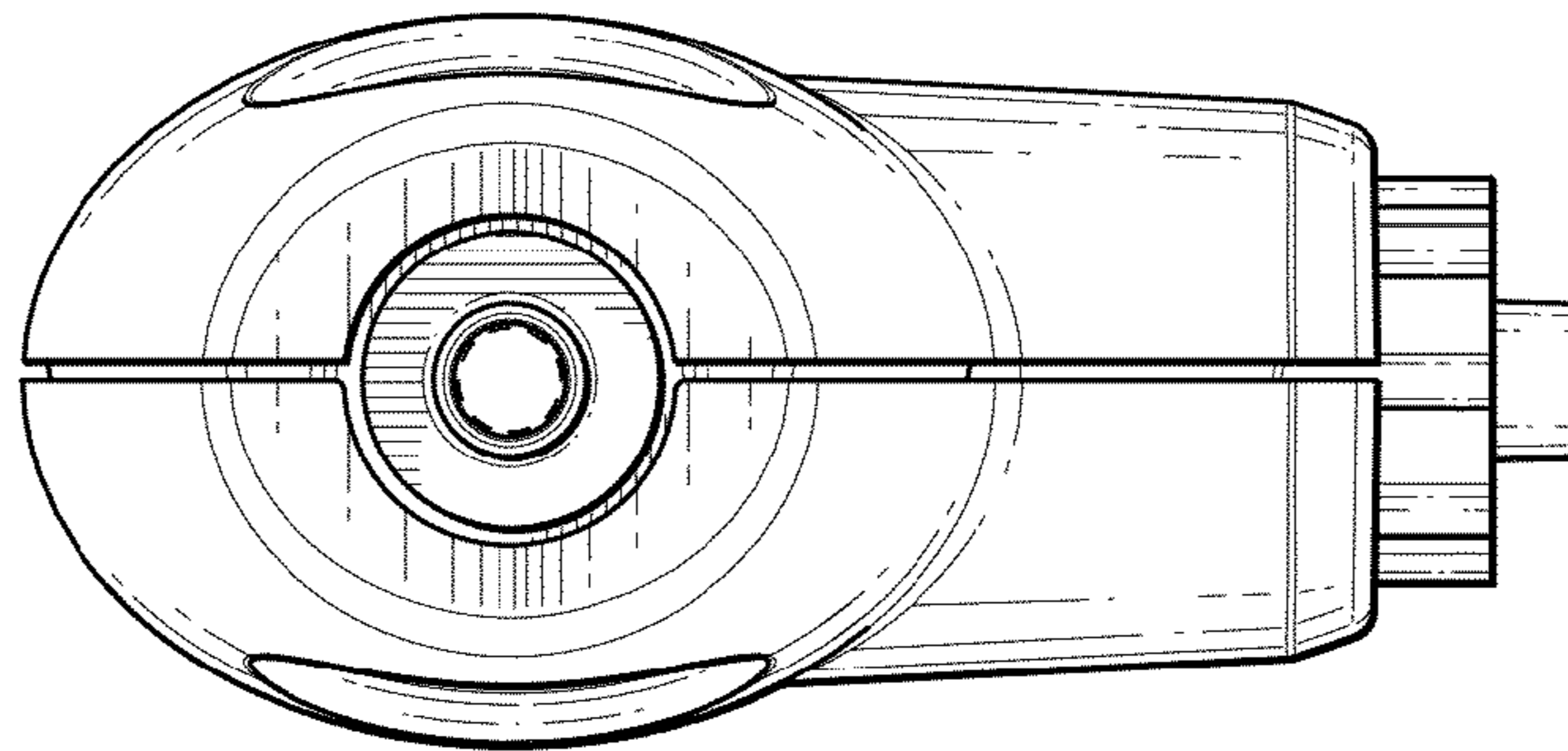


FIG. 4

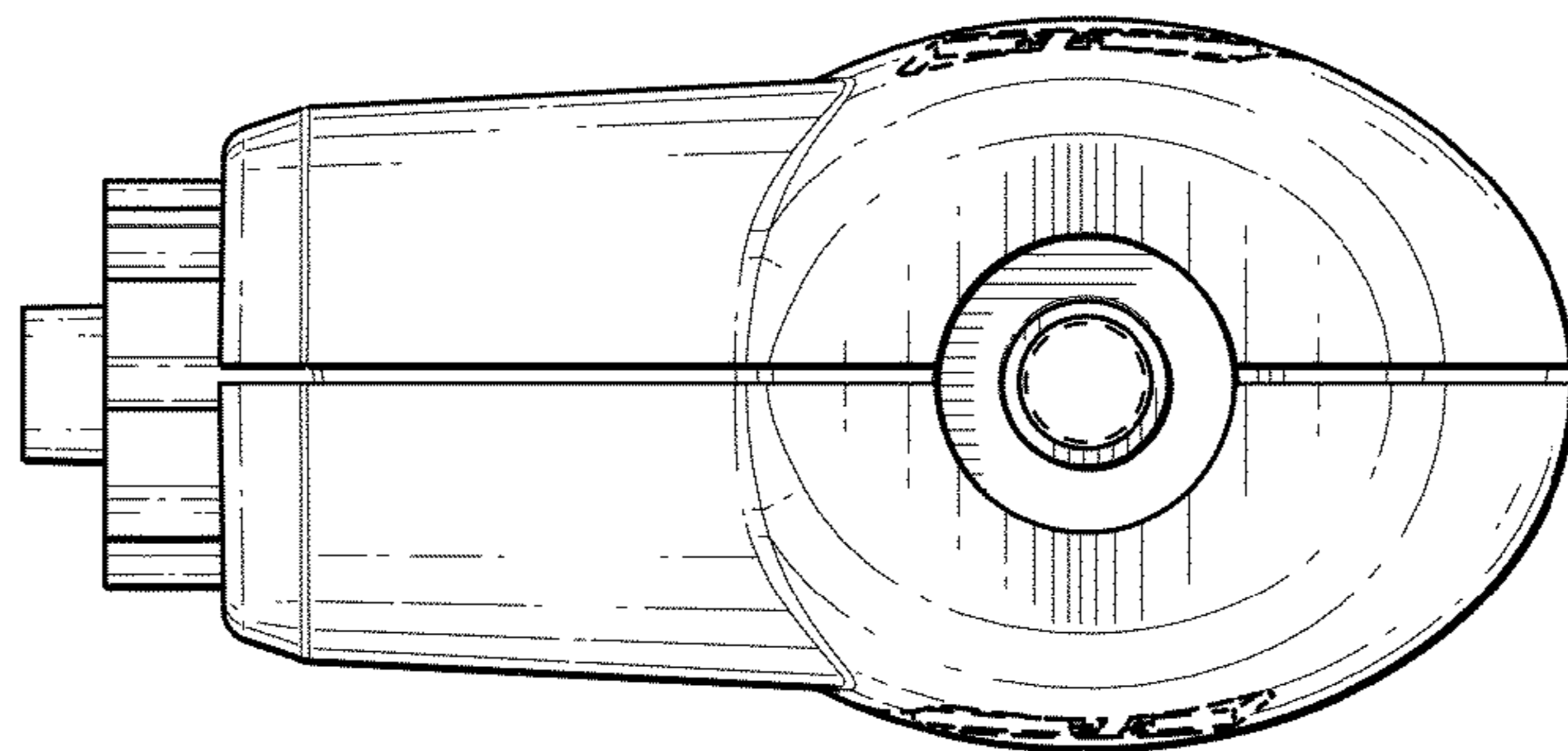


FIG. 5

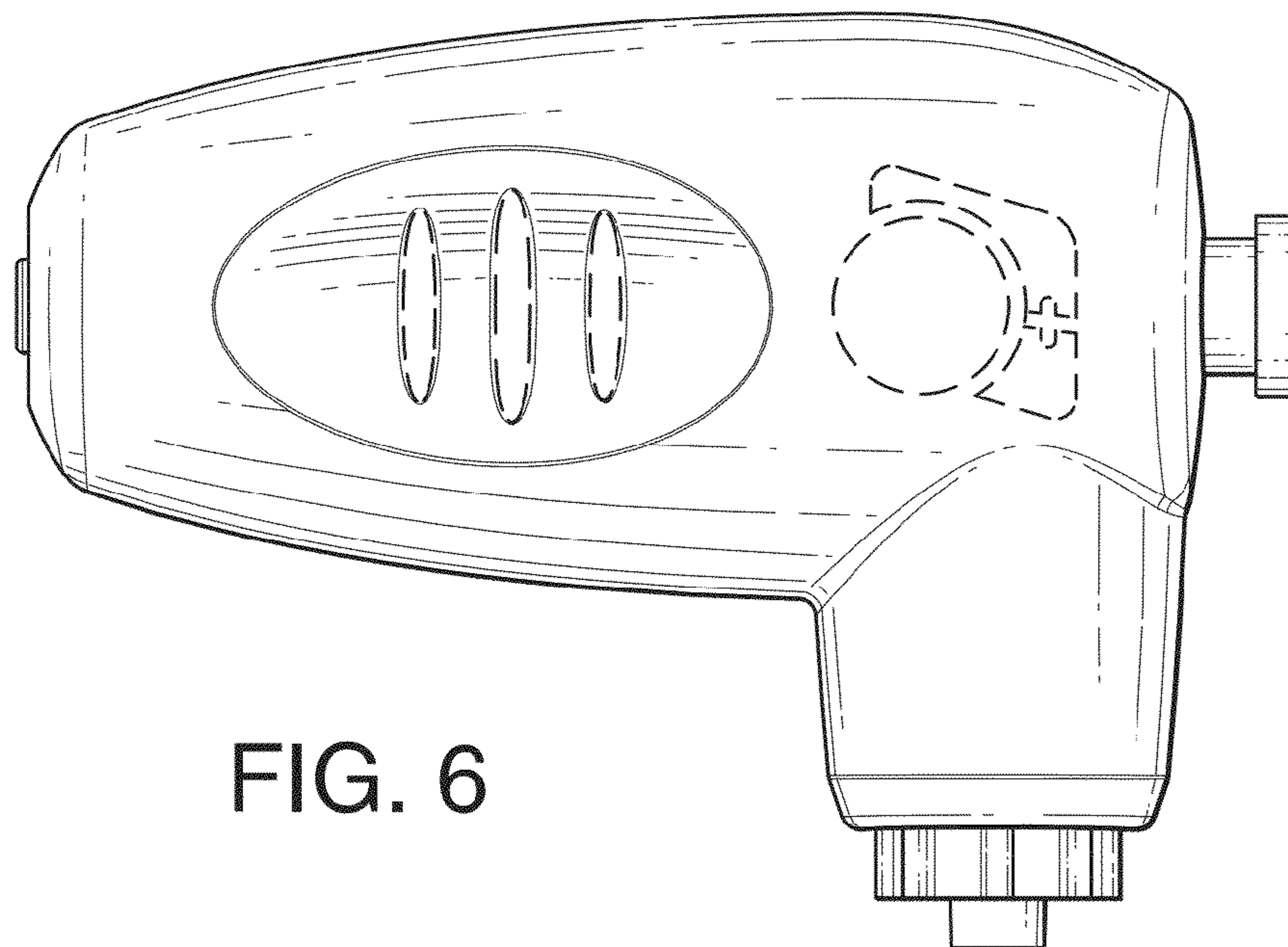


FIG. 6

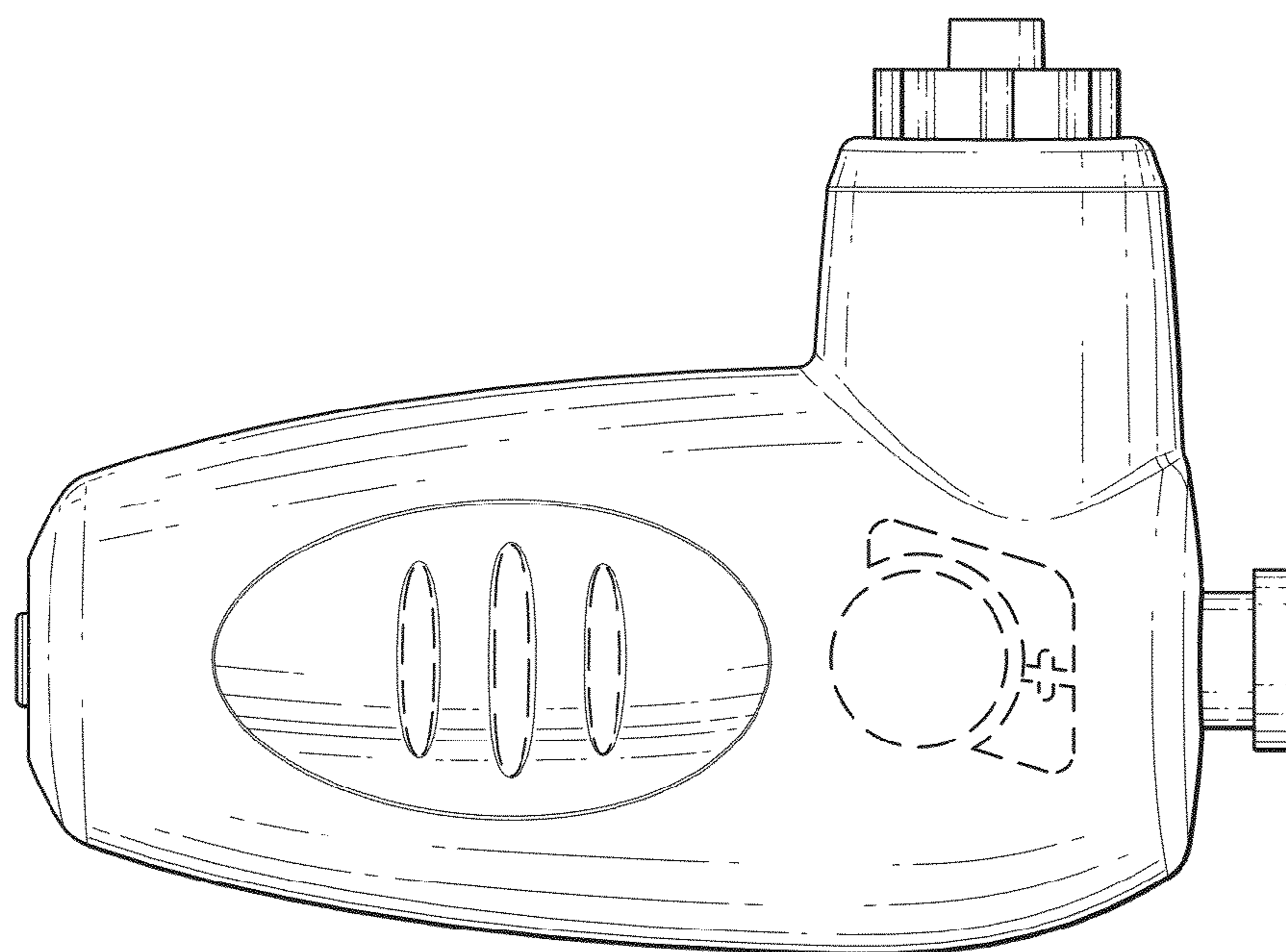


FIG. 7

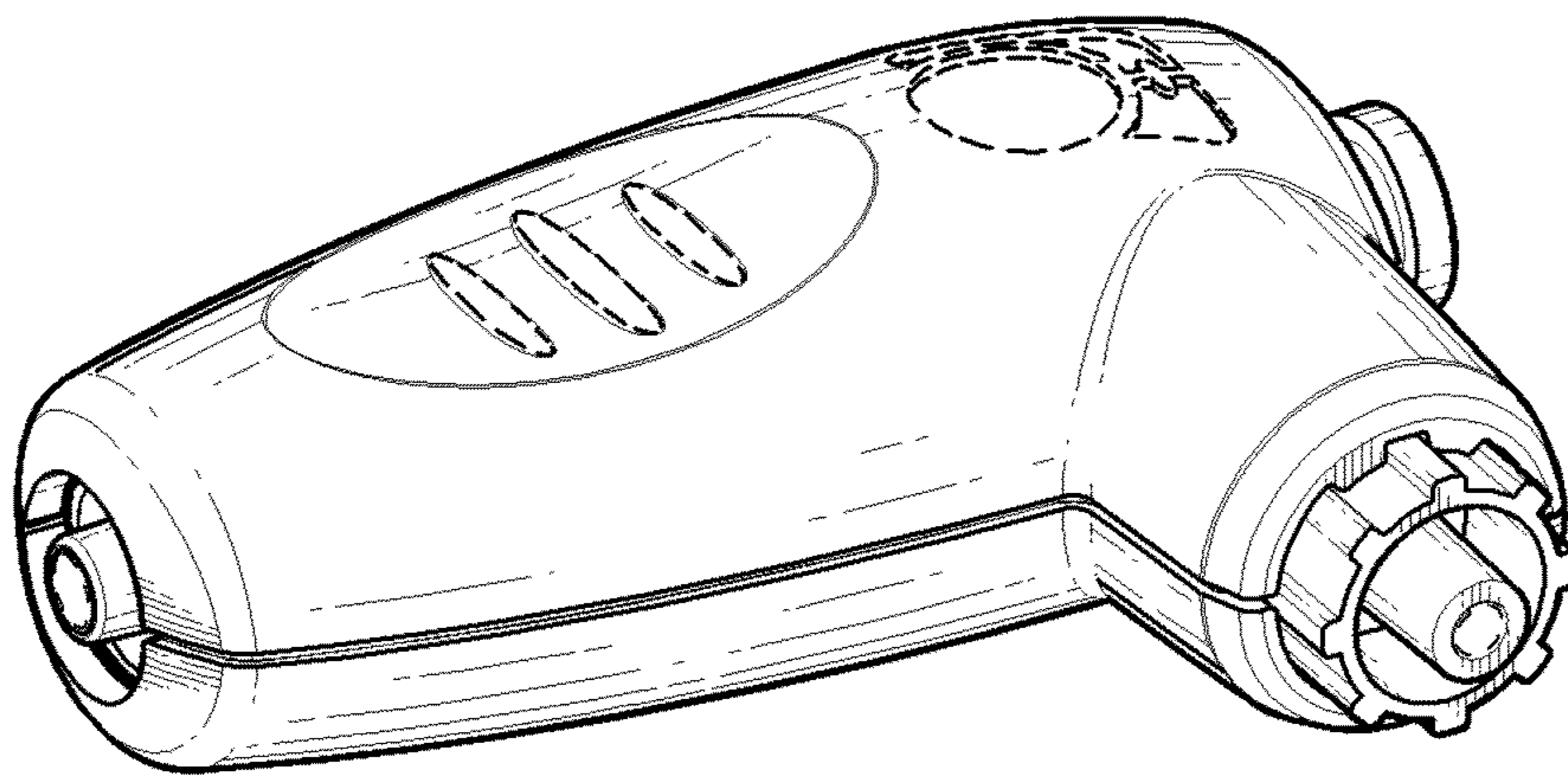


FIG. 8