



US00D740410S

(12) **United States Design Patent**
Korkuch et al.

(10) **Patent No.:** **US D740,410 S**

(45) **Date of Patent:** **** Oct. 6, 2015**

(54) **CATHETER INSERTION DEVICE**

(56) **References Cited**

(71) Applicants: **Chris Korkuch**, Reading, PA (US);
Drew Pieprzyk, Reading, PA (US); **Jeff Kuehn**, Reading, PA (US); **Matthew Becker**, Reading, PA (US)

(72) Inventors: **Chris Korkuch**, Reading, PA (US);
Drew Pieprzyk, Reading, PA (US); **Jeff Kuehn**, Reading, PA (US); **Matthew Becker**, Reading, PA (US)

(73) Assignee: **TELEFLEX MEDICAL INCORPORATED**, Research Triangle Park, NC (US)

(**) Term: **14 Years**

(21) Appl. No.: **29/451,282**

(22) Filed: **Mar. 29, 2013**

(51) **LOC (10) Cl.** **24-02**

(52) **U.S. Cl.**
USPC **D24/112**

(58) **Field of Classification Search**
USPC D24/112-114, 133, 186, 104, 127-131;
606/181, 185; 604/264, 272, 115, 232,
604/187, 158, 164.08, 192, 263, 163, 181,
604/184, 198, 227; 600/101, 139, 143;
128/200.24, 207.14, 207.15
CPC A61M 25/0102; A61M 25/0097;
A61M 25/0105; A61M 25/0618; A61M
25/09041

See application file for complete search history.

U.S. PATENT DOCUMENTS

| | | | | |
|--------------|------|---------|------------------------|------------|
| 4,994,040 | A * | 2/1991 | Cameron et al. | 604/160 |
| 4,994,046 | A * | 2/1991 | Wesson et al. | 604/198 |
| 5,476,090 | A * | 12/1995 | Kishi | 600/121 |
| 5,913,846 | A * | 6/1999 | Szabo | 604/263 |
| 6,197,001 | B1 | 3/2001 | Wilson et al. | |
| 2003/0078540 | A1 * | 4/2003 | Saulenas et al. | 604/110 |
| 2003/0208160 | A1 * | 11/2003 | Crawford | 604/164.08 |
| 2006/0270991 | A1 * | 11/2006 | Adams | 604/164.08 |
| 2009/0259201 | A1 * | 10/2009 | Hwang et al. | 604/263 |
| 2010/0094310 | A1 | 4/2010 | Warring et al. | |
| 2011/0282285 | A1 * | 11/2011 | Blanchard et al. | 604/164.08 |
| 2012/0071831 | A1 * | 3/2012 | Erskine | 604/164.08 |
| 2014/0100529 | A1 * | 4/2014 | Ito | 604/164.08 |
| 2014/0200522 | A1 * | 7/2014 | Li | 604/263 |
| 2014/0330203 | A1 * | 11/2014 | McLoughlin et al. | 604/131 |

* cited by examiner

Primary Examiner — David Muller

Assistant Examiner — Nathan Johnston

(74) *Attorney, Agent, or Firm* — Baker & Hostetler LLP

(57) **CLAIM**

The ornamental design for the catheter insertion device, as shown and described.

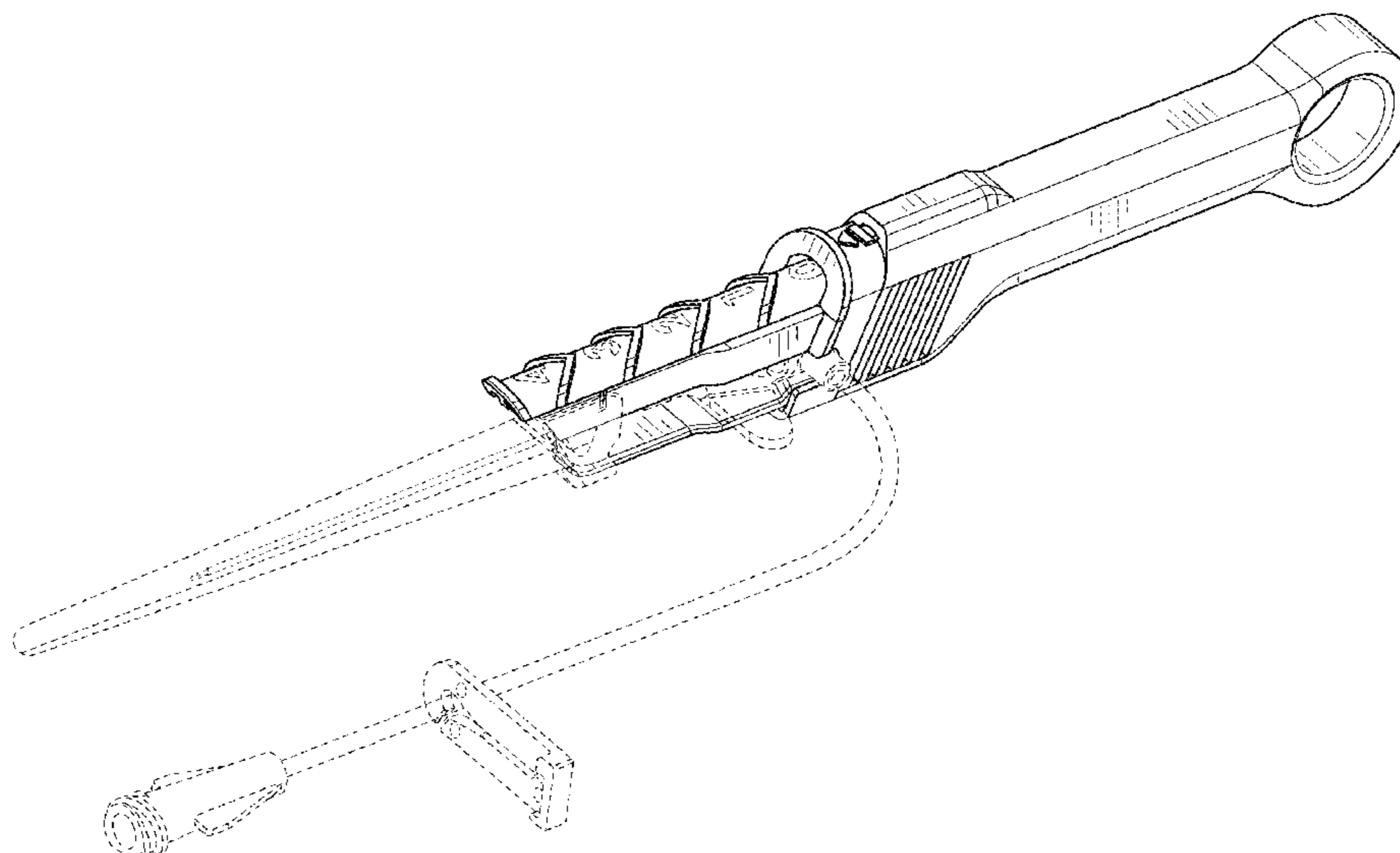
DESCRIPTION

FIG. 1 is a side perspective view of the catheter insertion device with a safety cover over the needle; FIG. 2 is a side perspective view of the catheter insertion device with the safety cover removed from the needle; and, FIG. 3 is a side elevation view of the catheter insertion device with the safety cover over the needle.

Dashed lines form no part of the claimed design.

The broken line showing of parts of the drawings is included for the purpose of illustrating use and environment and forms no part of the claimed design.

1 Claim, 3 Drawing Sheets



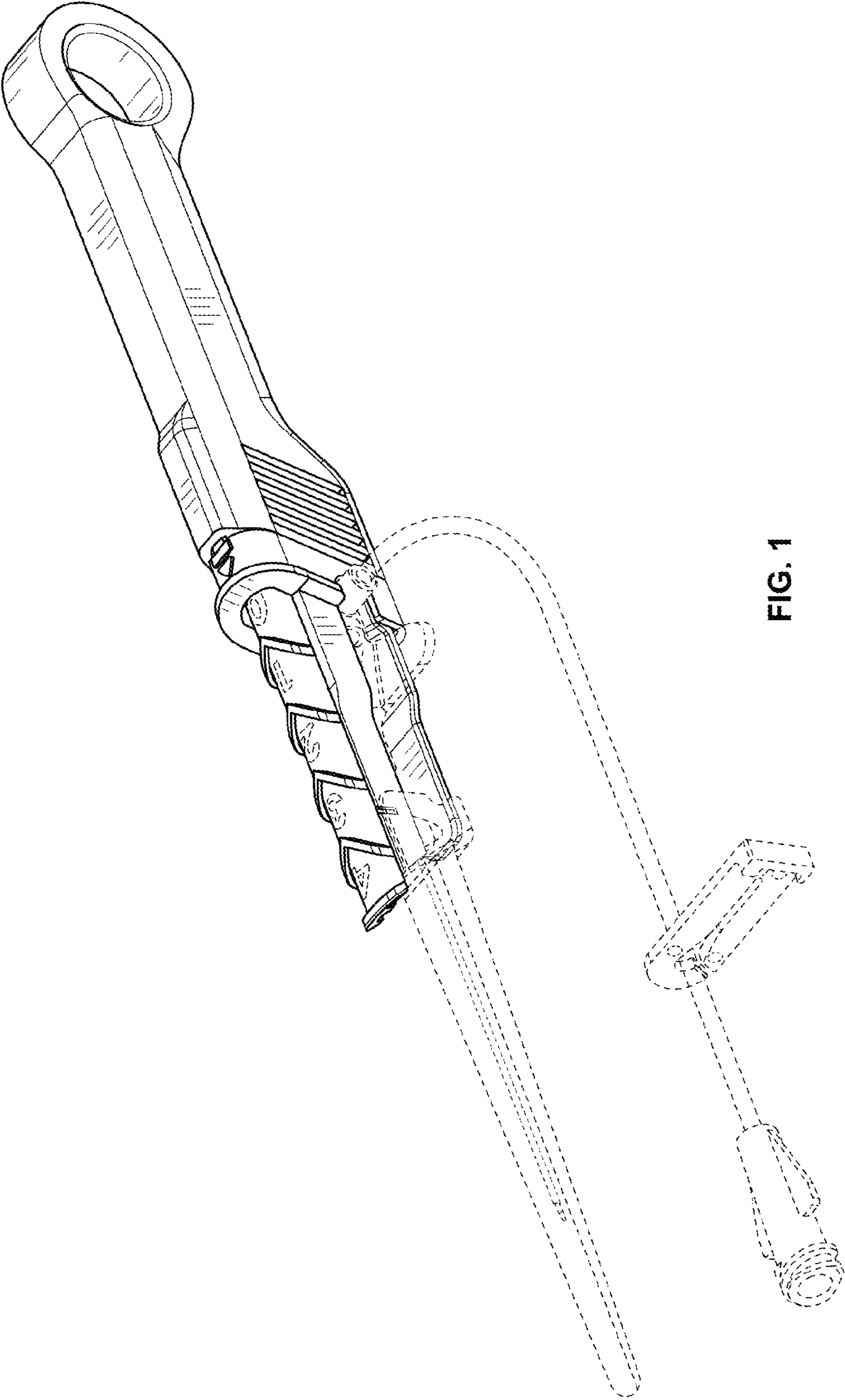


FIG. 1

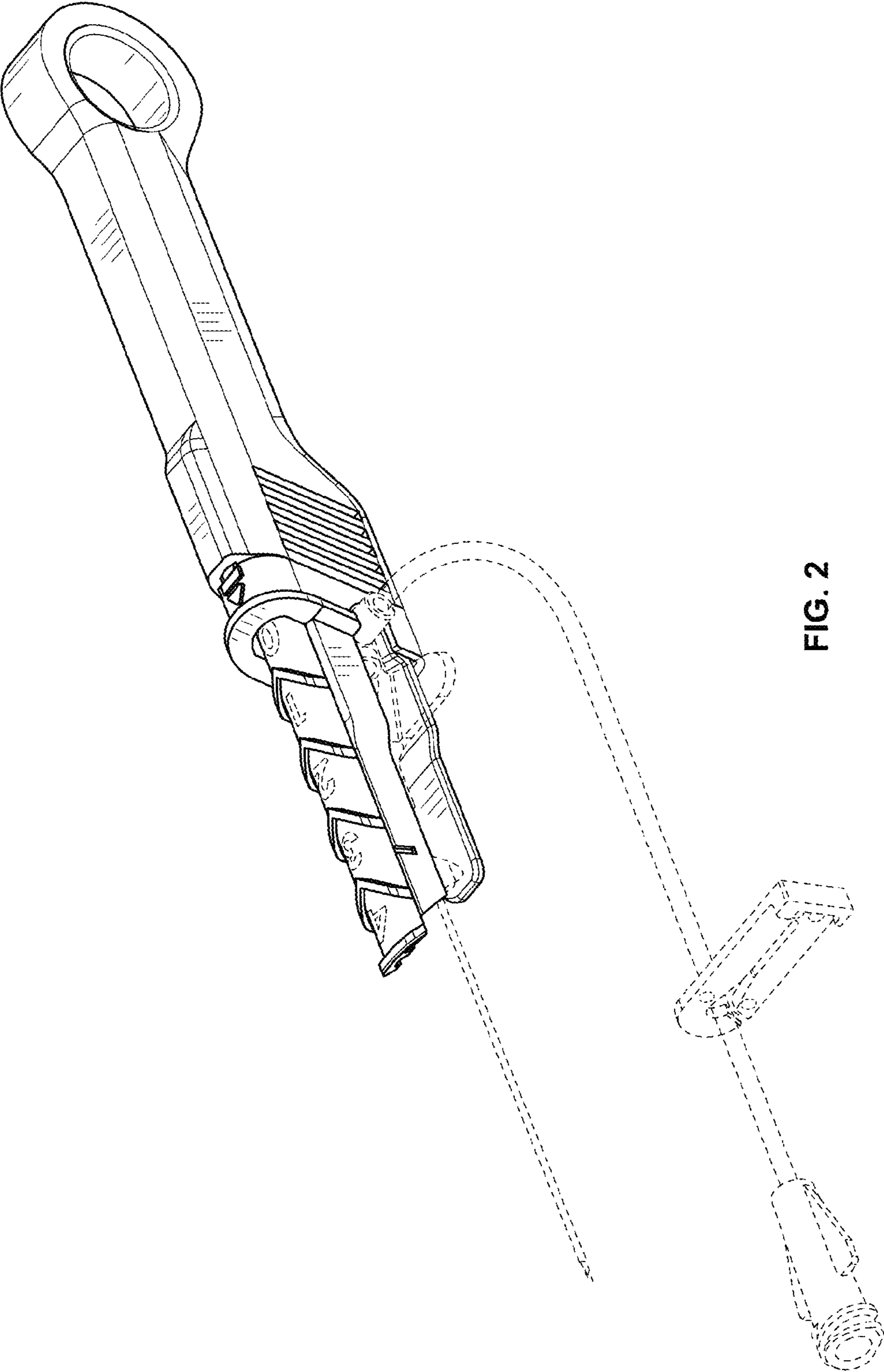


FIG. 2

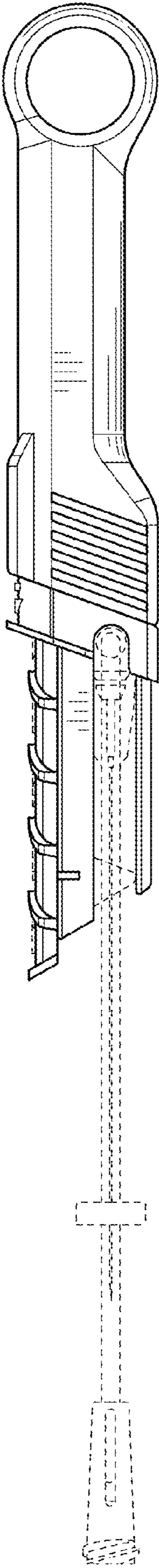


FIG. 3