



US00D740408S

(12) **United States Design Patent**
Tominaga et al.

(10) **Patent No.:** **US D740,408 S**

(45) **Date of Patent:** **** Oct. 6, 2015**

(54) **COLLECTION TOOL**

(71) Applicants: **SEKISUI MEDICAL CO., LTD.**,
Tokyo (JP); **SEKISUI TECHNO
MOLDING CO., LTD.**, Tokyo (JP)

(72) Inventors: **Satoru Tominaga**, Tokyo (JP); **Takashi
Yosida**, Tokyo (JP); **Takuya Yotani**,
Tokyo (JP); **Hiroaki Taira**, Tokyo (JP);
Yuriko Yamada, Tokyo (JP)

(73) Assignees: **SEKISUI MEDICAL CO., LTD.**,
Tokyo (JP); **SEKISUI TECHNO
MOLDING CO., LTD.**, Tokyo (JP)

(**) Term: **14 Years**

(21) Appl. No.: **29/480,030**

(22) Filed: **Jan. 22, 2014**

(30) **Foreign Application Priority Data**

Jul. 26, 2013 (JP) 2013-017066

(51) **LOC (10) Cl.** **24-01**

(52) **U.S. Cl.**
USPC **D24/108**

(58) **Field of Classification Search**
USPC D24/108, 121–123, 216, 222–226, 231,
D24/232, 169; D9/500, 503, 504, 520, 549,
D9/569; D10/80, 81; 422/99, 100, 102, 56,
422/58, 61, 68.1, 69; 435/288.1, 288.3,
435/289.1; 600/573, 574, 576, 577;
604/317–319, 326, 331, 349

See application file for complete search history.

(56) **References Cited**

U.S. PATENT DOCUMENTS

4,411,163 A * 10/1983 White 73/864.02
5,360,423 A * 11/1994 McCormick 604/403

D435,906 S * 1/2001 Wilkinson et al. D24/121
D472,316 S * 3/2003 Douglas et al. D24/129
D558,357 S * 12/2007 Byrd et al. D24/224
D621,522 S * 8/2010 Wilkinson D24/224
D643,934 S * 8/2011 Wilkinson D24/224
D652,148 S * 1/2012 Matsuura D24/224
8,470,268 B2 * 6/2013 Wong 422/558
D688,796 S * 8/2013 Niunoya et al. D24/127
2002/0009389 A1 * 1/2002 Lappe et al. 422/58
2003/0133844 A1 * 7/2003 Conway 422/102
2007/0128070 A1 * 6/2007 Wu et al. 422/58
2013/0175266 A1 * 7/2013 Ellis 220/23.87
2014/0213934 A1 * 7/2014 Ellis et al. 600/575

* cited by examiner

Primary Examiner — Wan Laymon

Assistant Examiner — Mark Booker

(74) *Attorney, Agent, or Firm* — Bacon & Thomas, PLLC

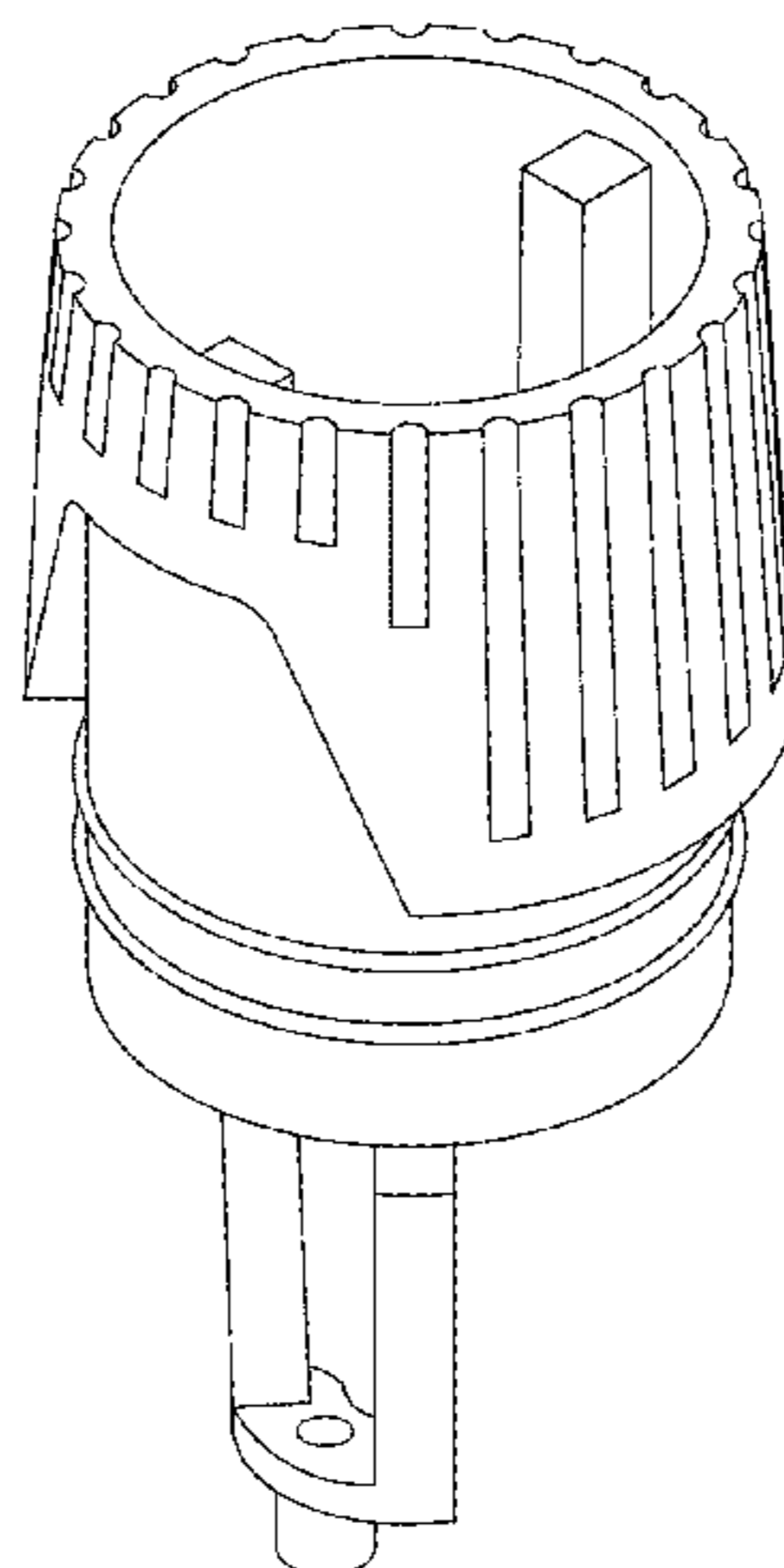
(57) **CLAIM**

The ornamental design for collection tool, as shown and described.

DESCRIPTION

FIG. 1 is a perspective view of the collection tool.
FIG. 2 is a front view of the collection tool.
FIG. 3 is a rear view of the collection tool.
FIG. 4 is a top plan view of the collection tool.
FIG. 5 is a bottom plan view of the collection tool.
FIG. 6 is a left side view of the collection tool (a right side view of the Invention appears symmetrical with the left side view of the Invention).
FIG. 7 is a vertical sectional view of the Invention along line 7-7 of FIG. 2.
FIG. 8 is a horizontal sectional view of the Invention along line 8-8 of FIG. 2; and,
FIG. 9 is a horizontal sectional view of the Invention along line 9-9 of FIG. 2.

1 Claim, 9 Drawing Sheets



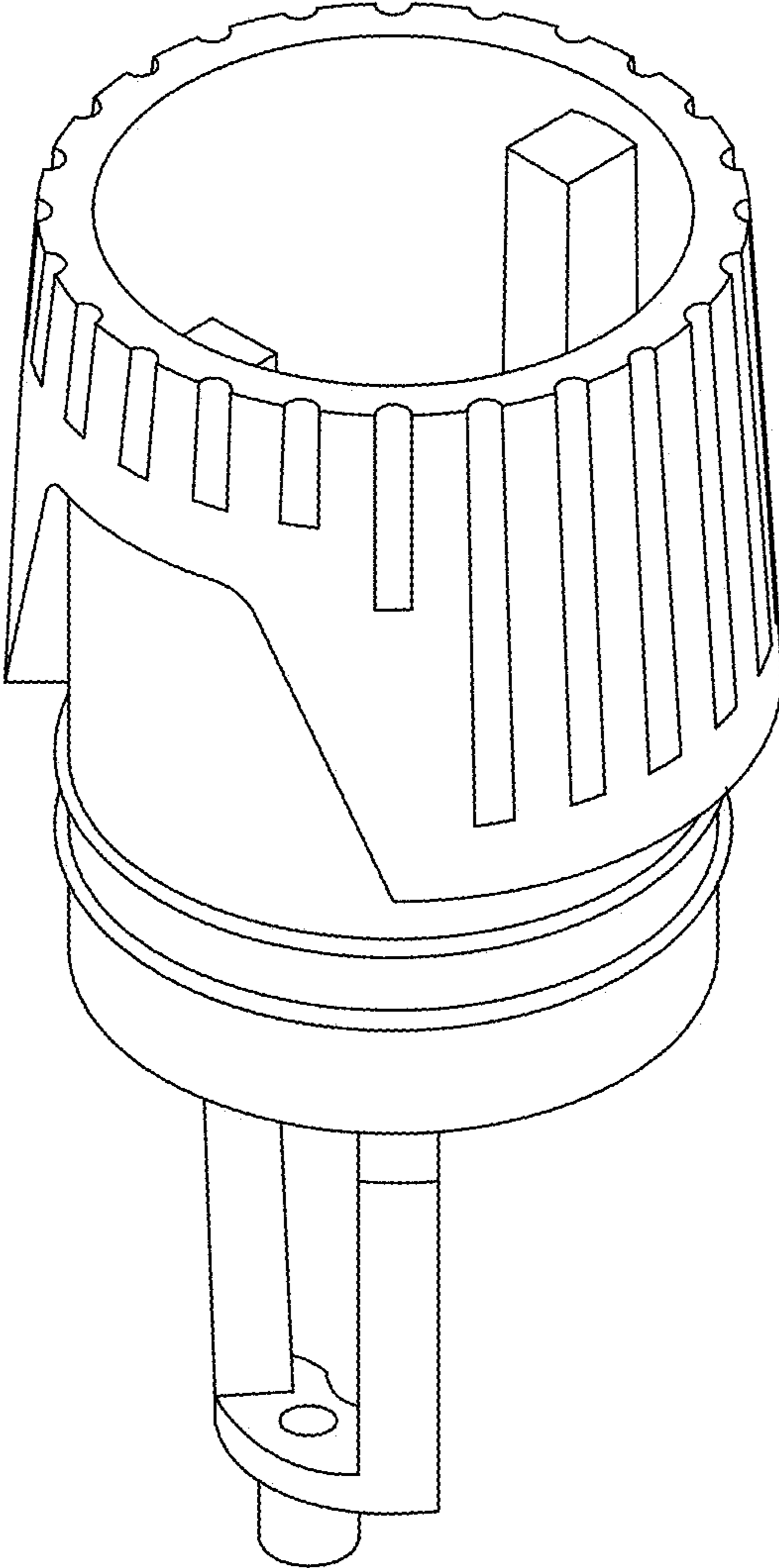


FIG. 1

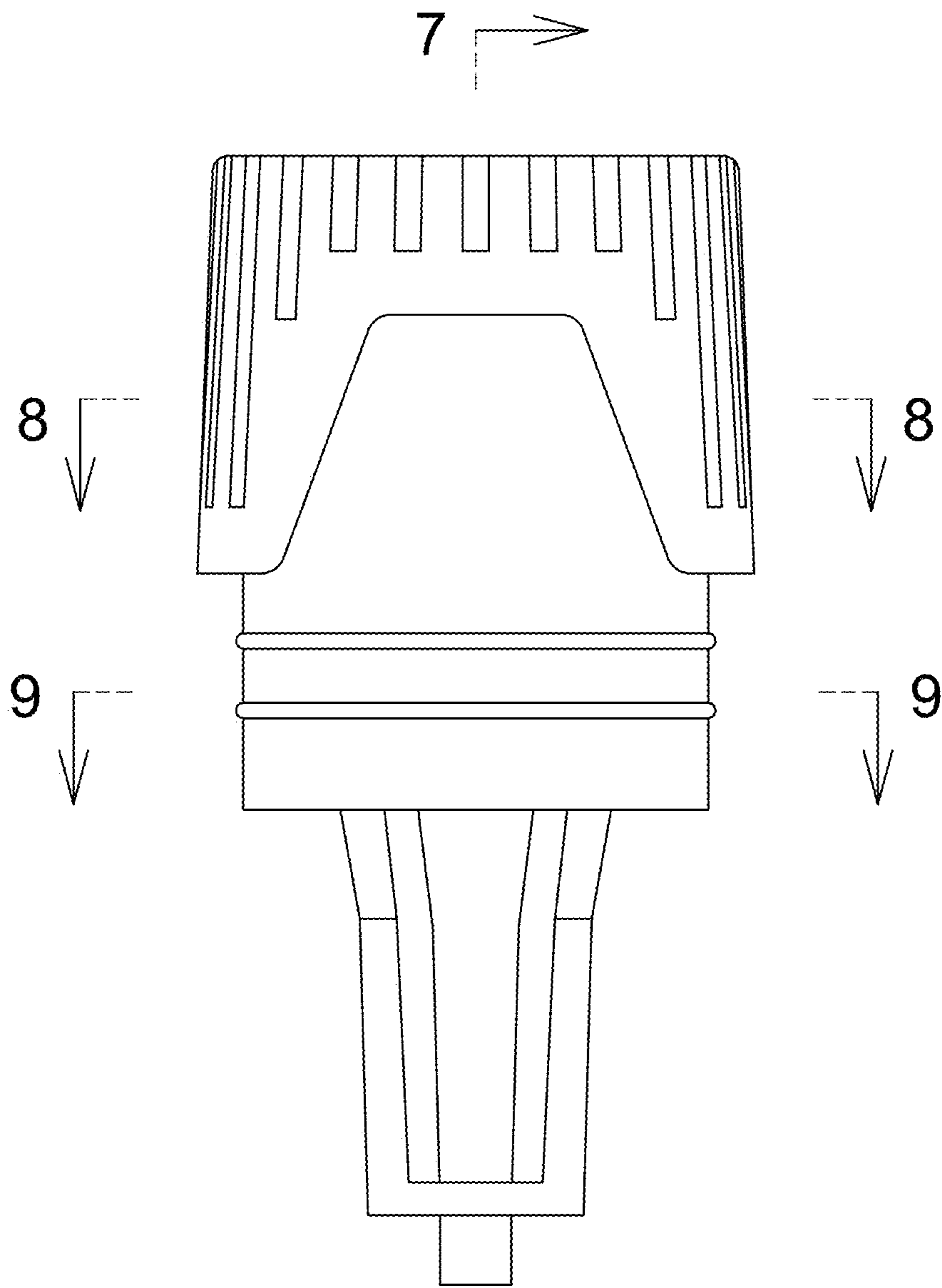


FIG. 2

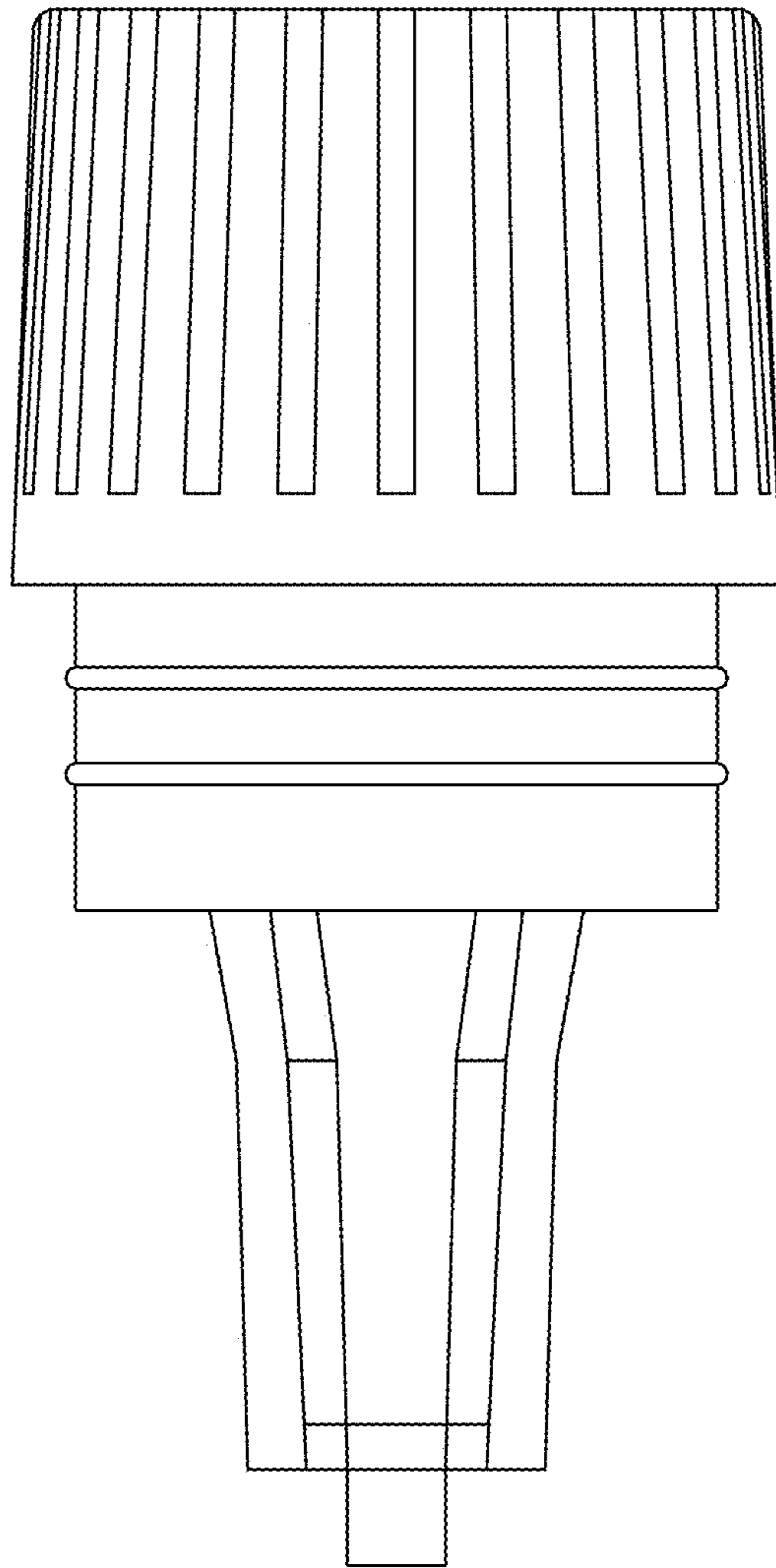


FIG. 3

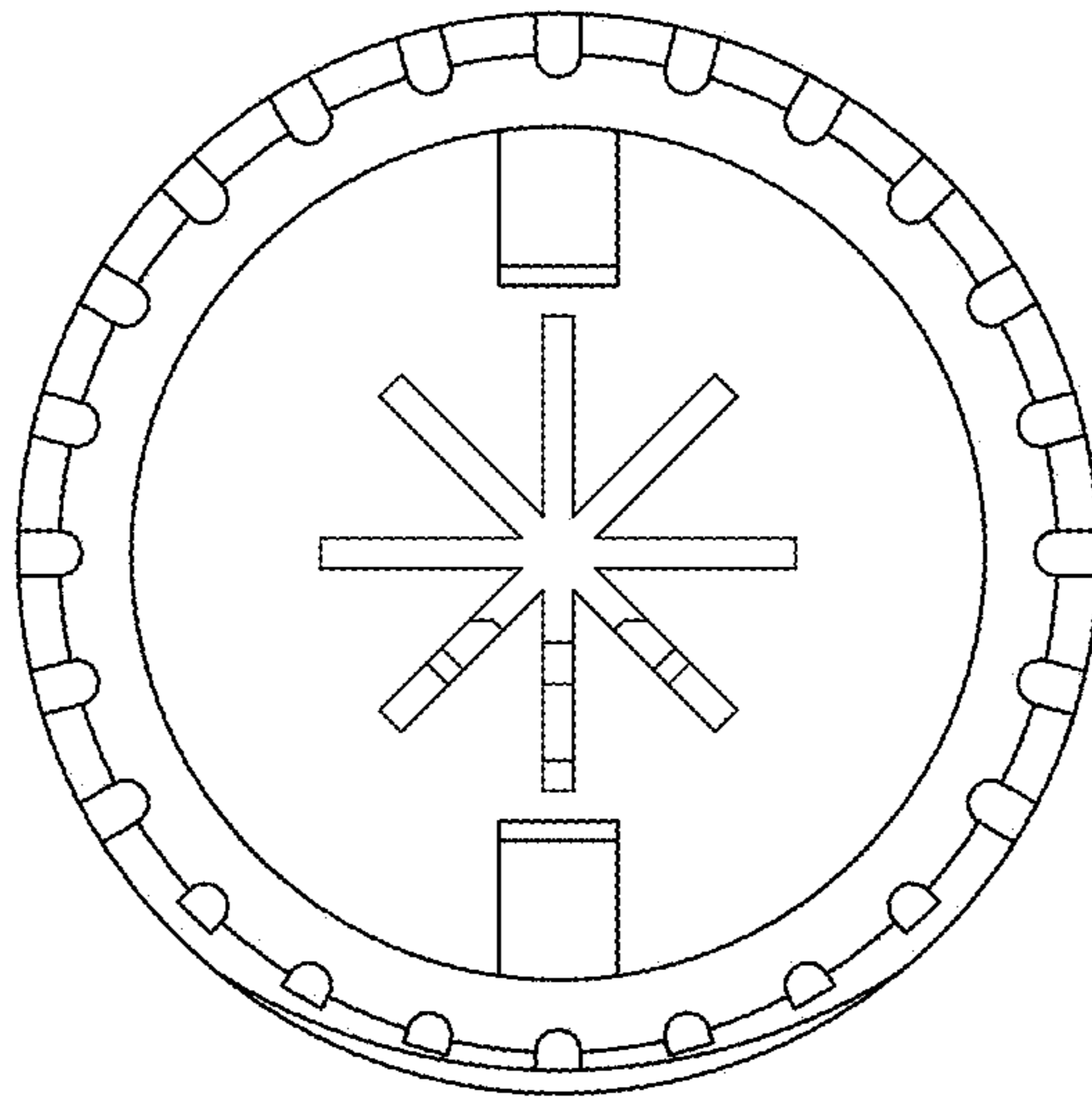


FIG. 4

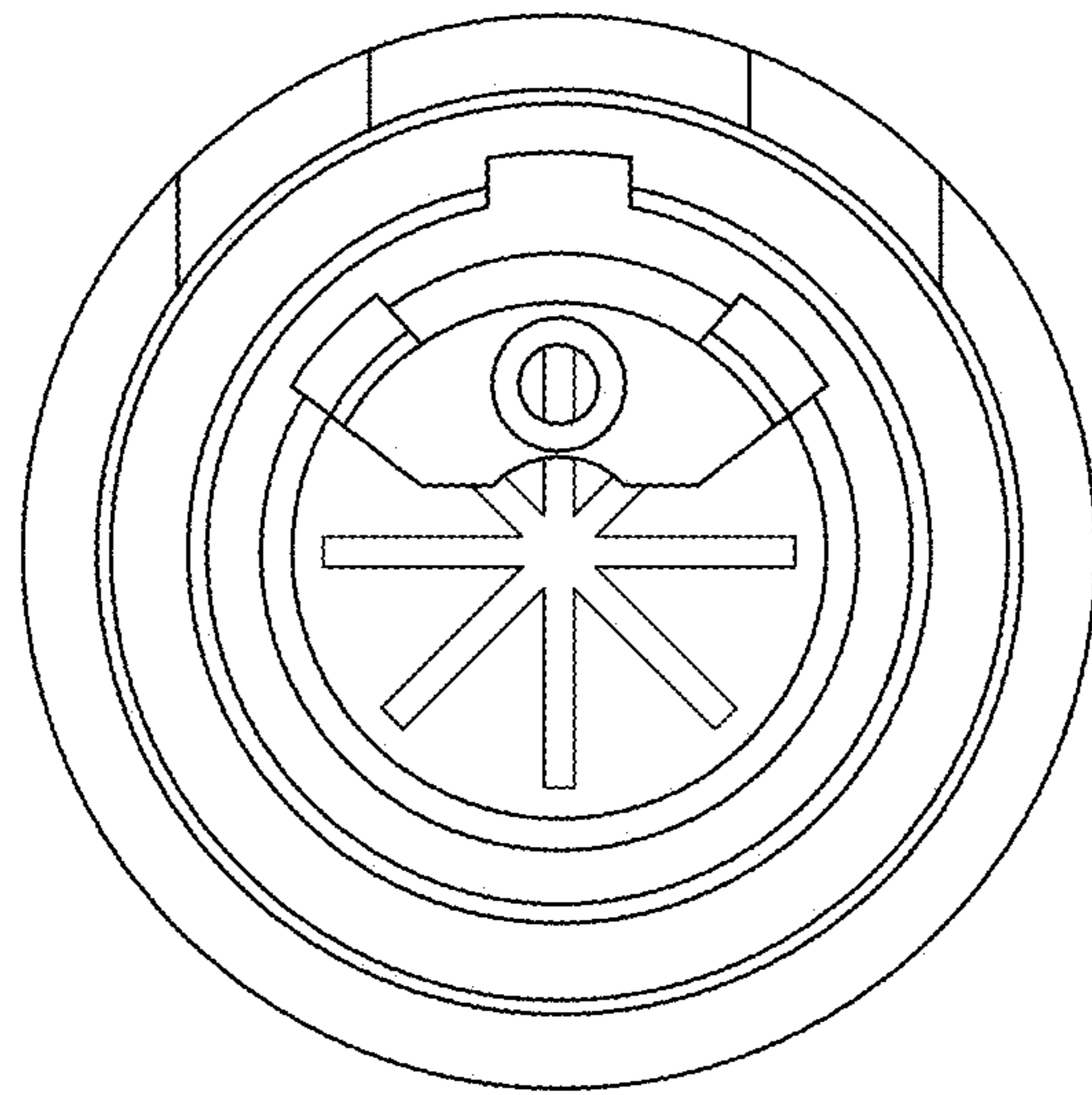


FIG. 5

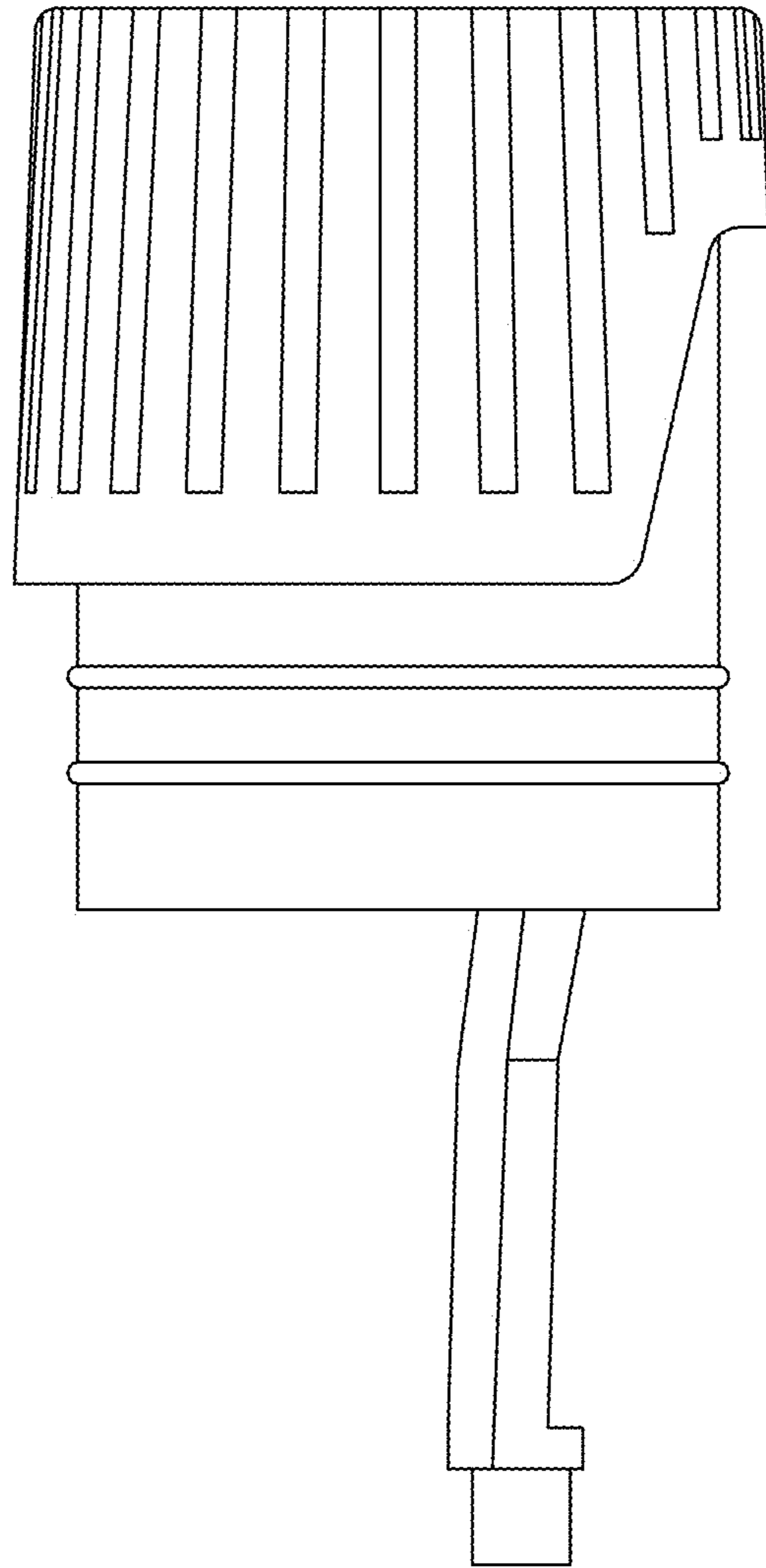


FIG. 6

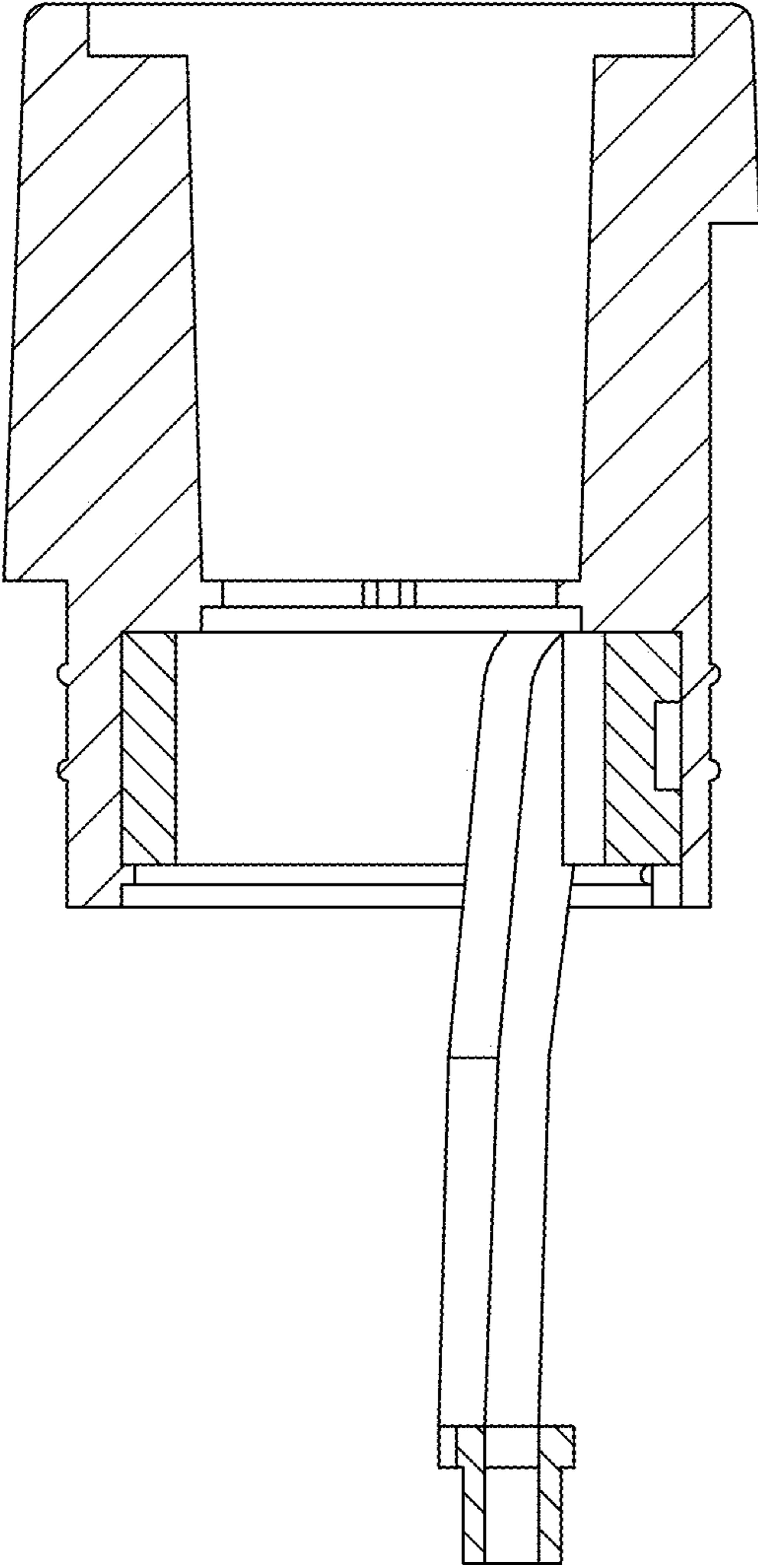


FIG. 7

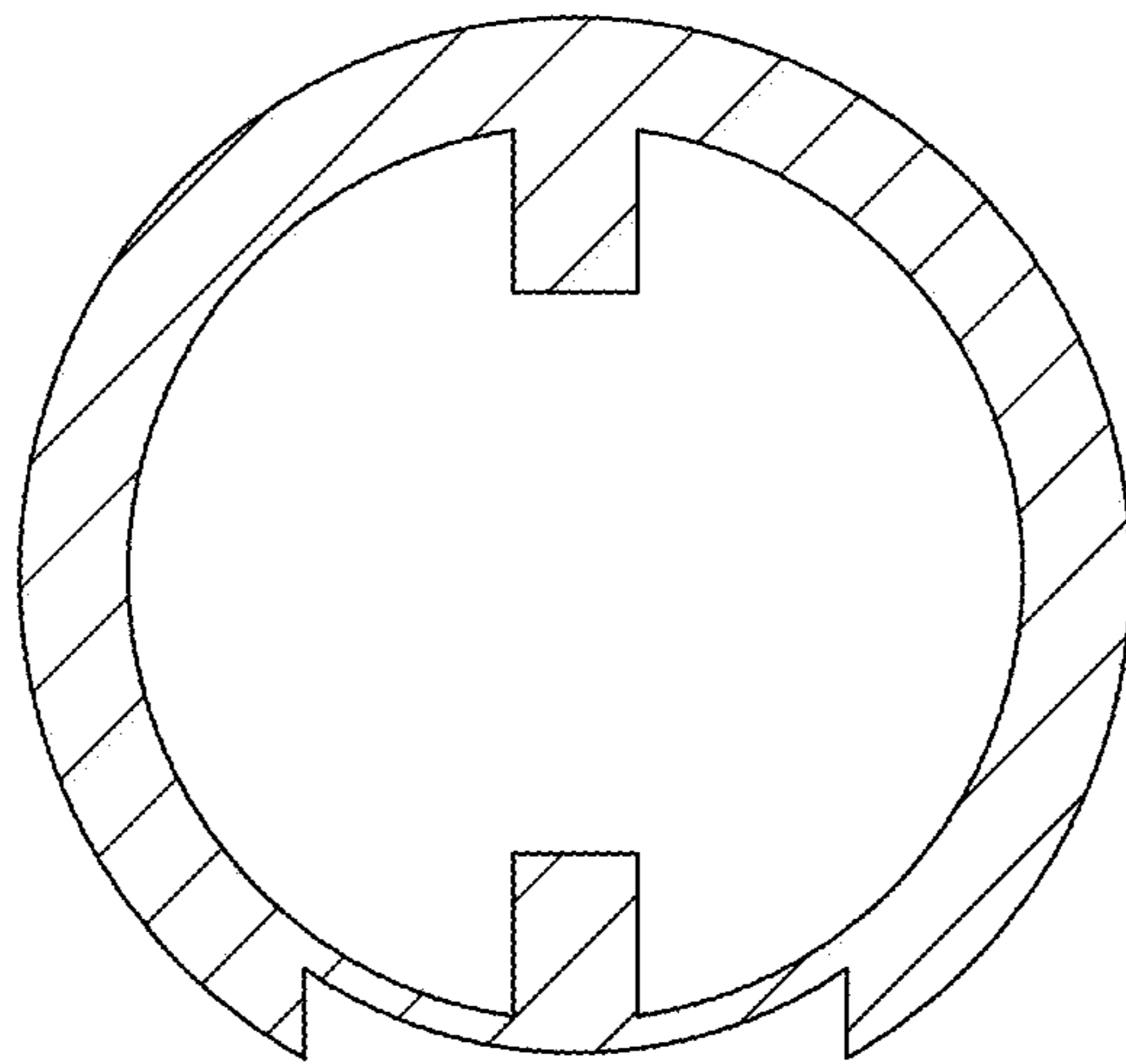


FIG. 8

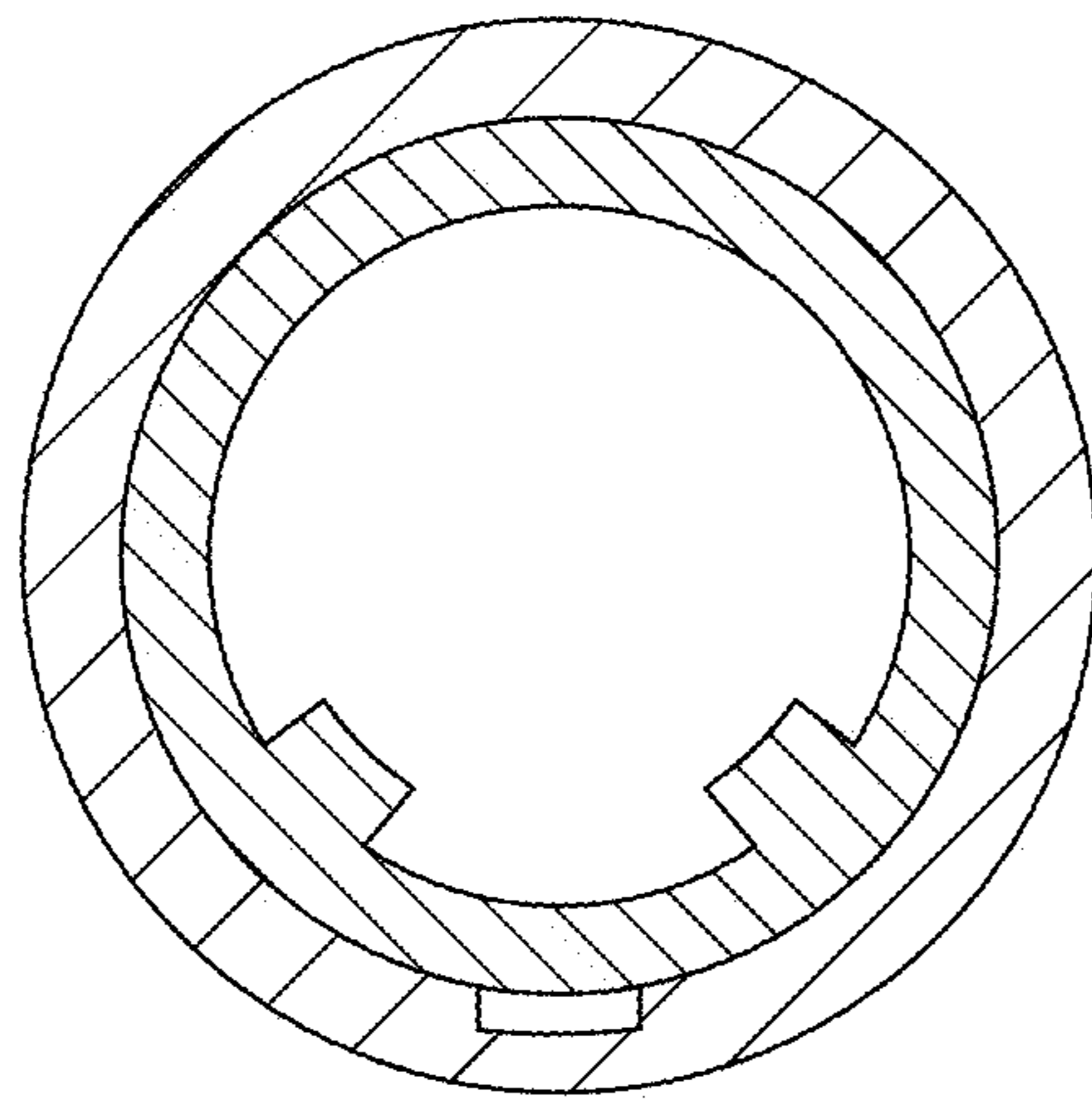


FIG. 9