



US00D740402S

(12) **United States Design Patent**
Kassel

(10) **Patent No.:** **US D740,402 S**
(45) **Date of Patent:** **** Oct. 6, 2015**

(54) **HEAT EXCHANGER ASSEMBLY**

(76) Inventor: **Harry Dean Kassel**, Gauteng (ZA)

(**) Term: **14 Years**

(21) Appl. No.: **29/419,235**

(22) Filed: **Apr. 26, 2012**

(30) **Foreign Application Priority Data**

Mar. 2, 2012 (ZA) F2012/00216

(51) **LOC (10) Cl.** **23-03**

(52) **U.S. Cl.**

USPC **D23/323**; D23/316

(58) **Field of Classification Search**

USPC 392/498, 444, 447; 119/73; 219/523,
219/540, 530; D23/314, 316, 323

See application file for complete search history.

(56) **References Cited**

U.S. PATENT DOCUMENTS

1,773,546 A * 8/1930 Rider 392/313
3,719,799 A * 3/1973 Takayasu 219/523
5,278,941 A * 1/1994 Ward 392/498
D625,396 S * 10/2010 Gismervik D23/316

FOREIGN PATENT DOCUMENTS

WO WO 2012172152 A2 * 12/2012

* cited by examiner

Primary Examiner — T. Chase Nelson

Assistant Examiner — Ania Aman

(74) *Attorney, Agent, or Firm* — Matthew J. Lettig; Charter IP, LLC

(57) **CLAIM**

The ornamental design for a heat exchanger assembly, as shown and described.

DESCRIPTION

FIG. 1 is a perspective view of a heat exchanger assembly showing my new design.

FIG. 2 is a top view thereof.

FIG. 3 is a front view of only the lower part of the heat exchanger assembly, the unclaimed upper part of the heat exchanger assembly having been removed for purposes of clarity.

FIG. 4 is a right end view thereof.

FIG. 5 is a bottom view thereof.

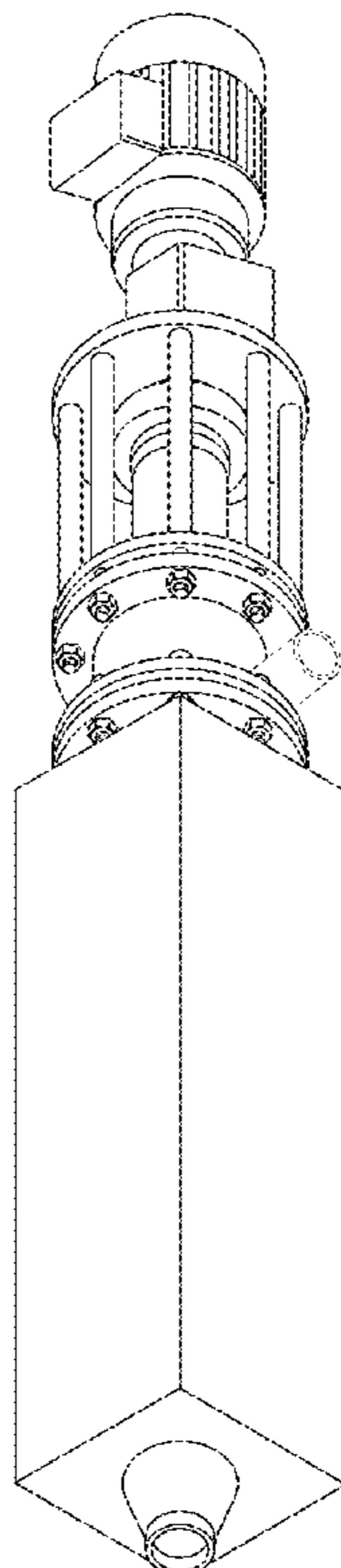
FIG. 6 is a back view thereof.

FIG. 7 is a left end view thereof; and,

FIG. 8 is a cross-sectional view thereof taken in the plane VIII-VIII as indicated in FIG. 3.

Any broken lines which may be shown in the views are for illustrative purposes only, and form no part of the claimed invention.

1 Claim, 4 Drawing Sheets



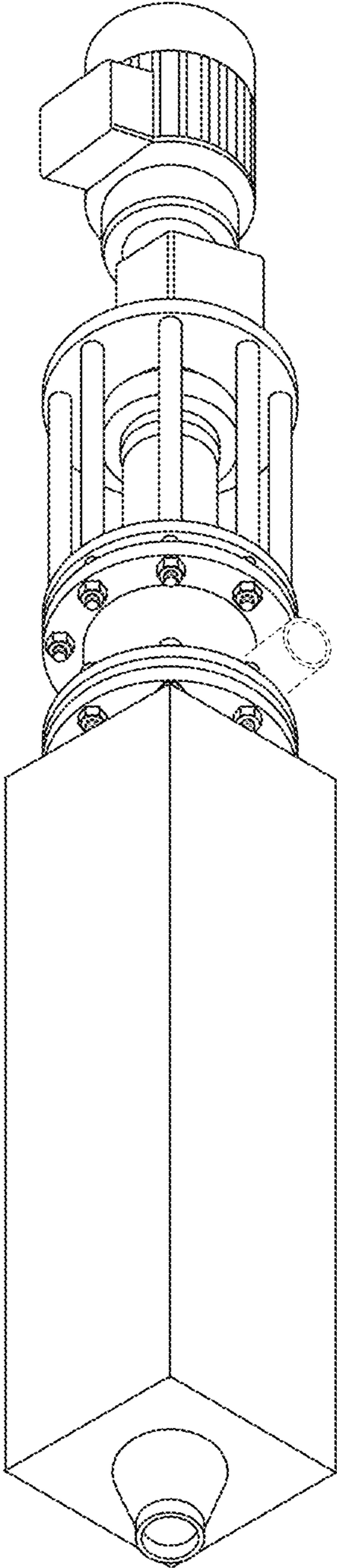


FIG. 1

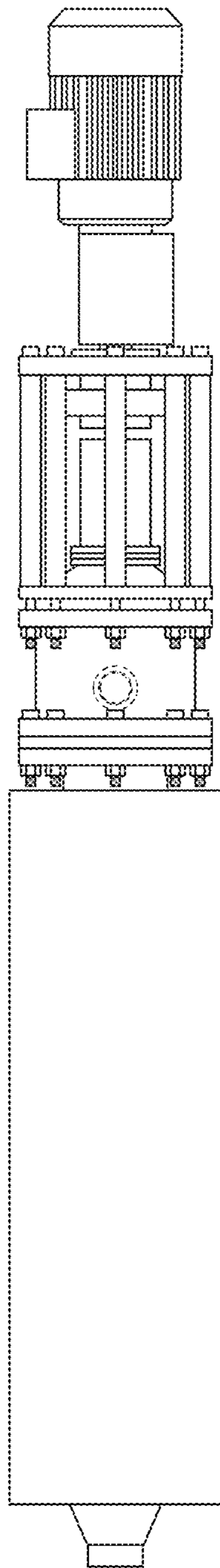


FIG. 2

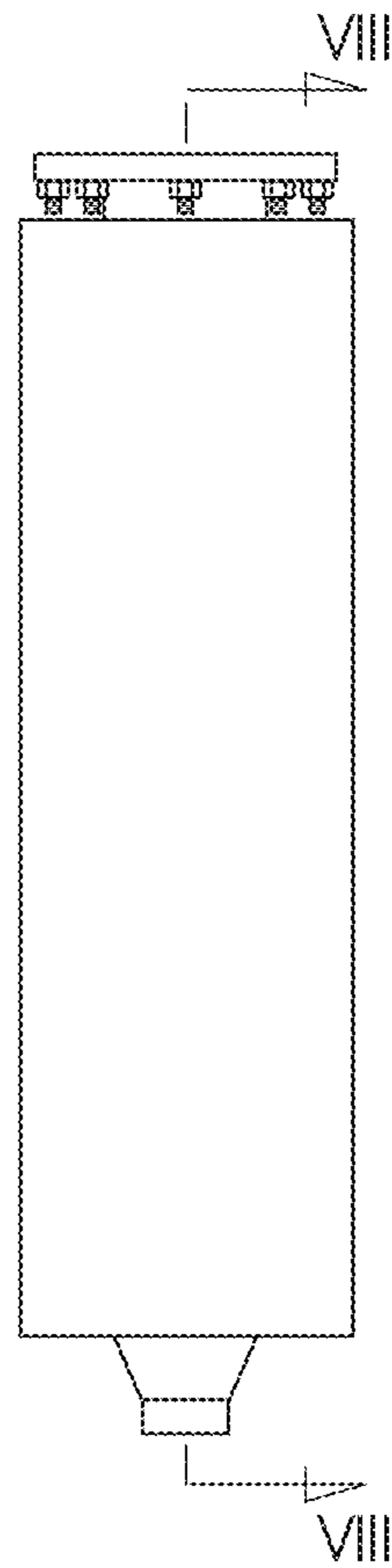


FIG. 3

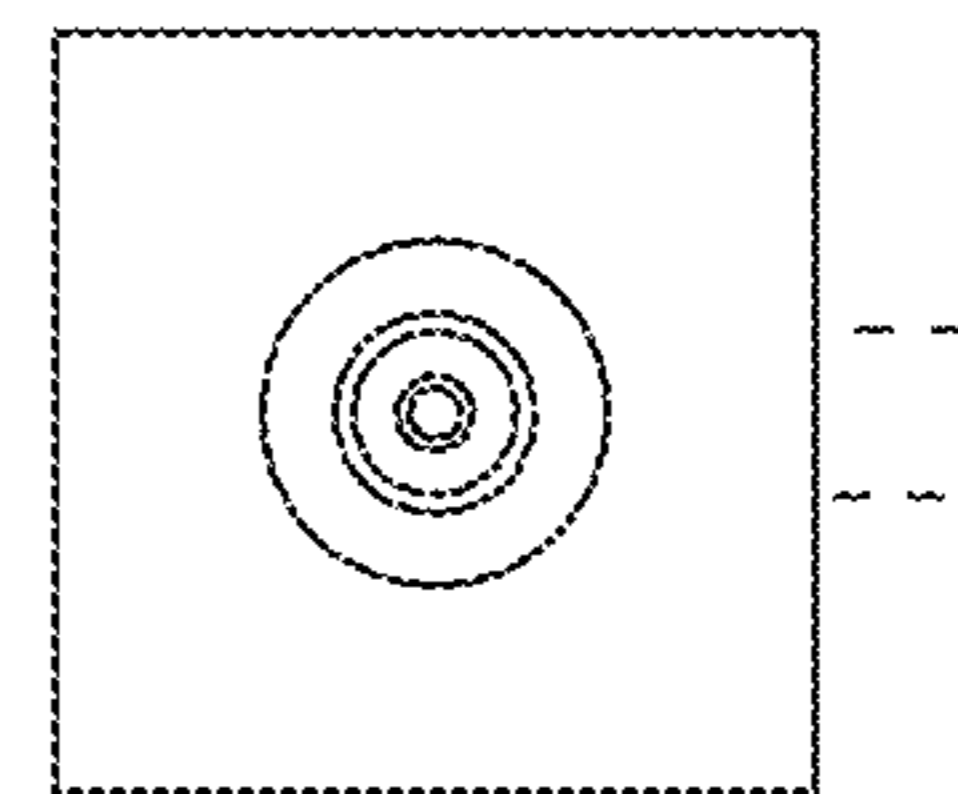


FIG. 4

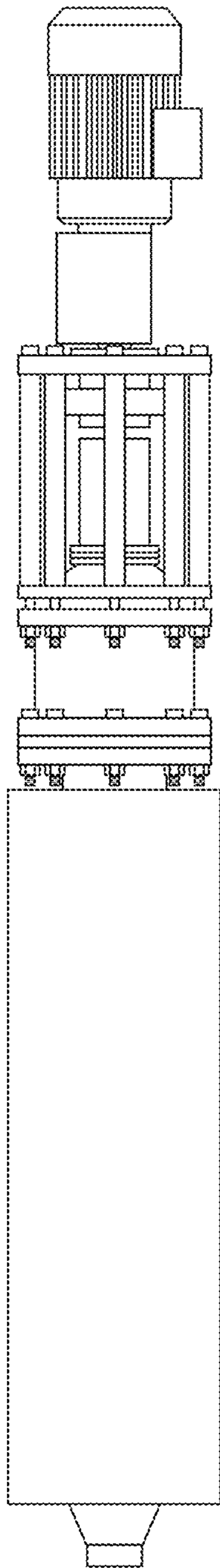


FIG. 5

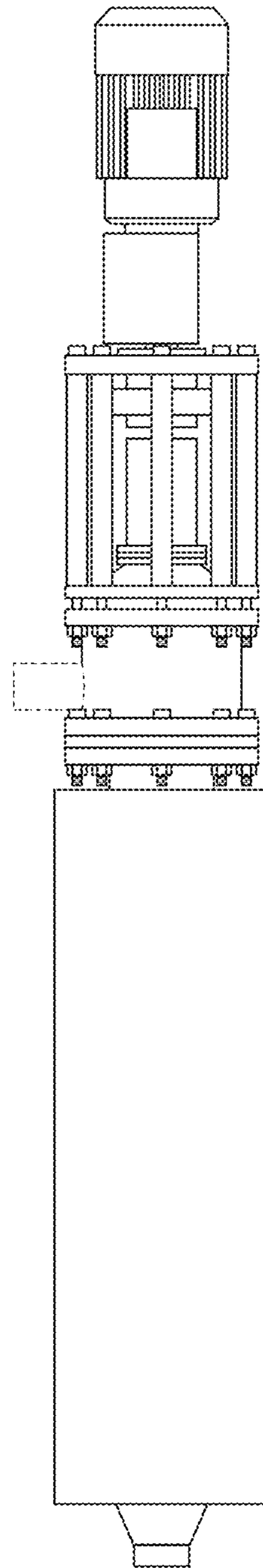


FIG. 6

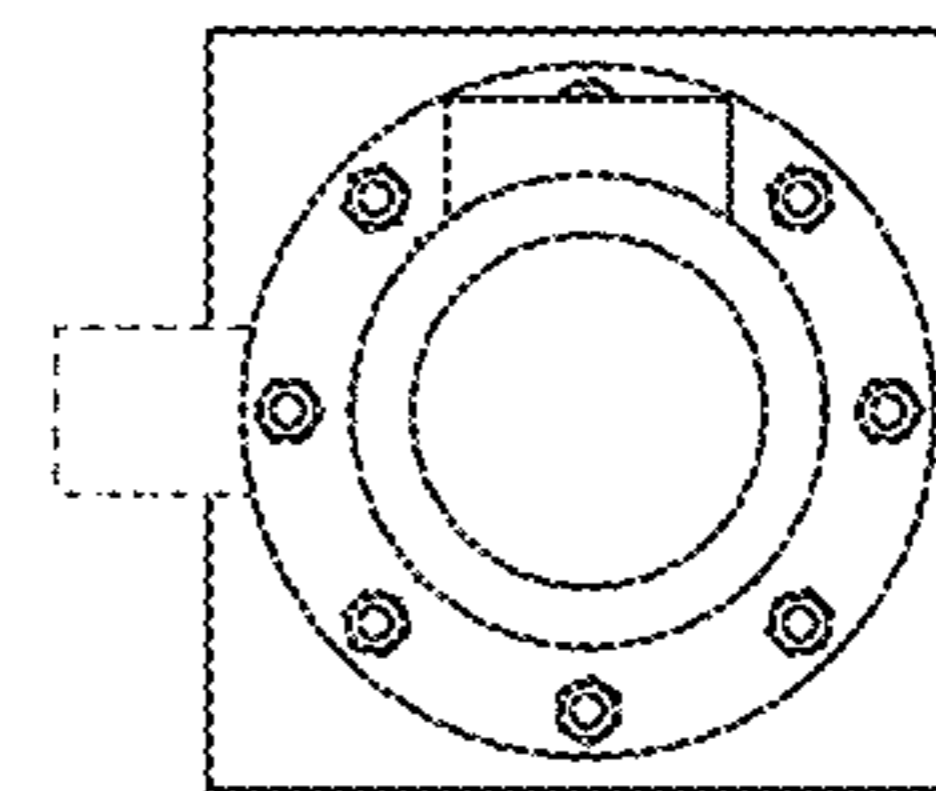


FIG. 7

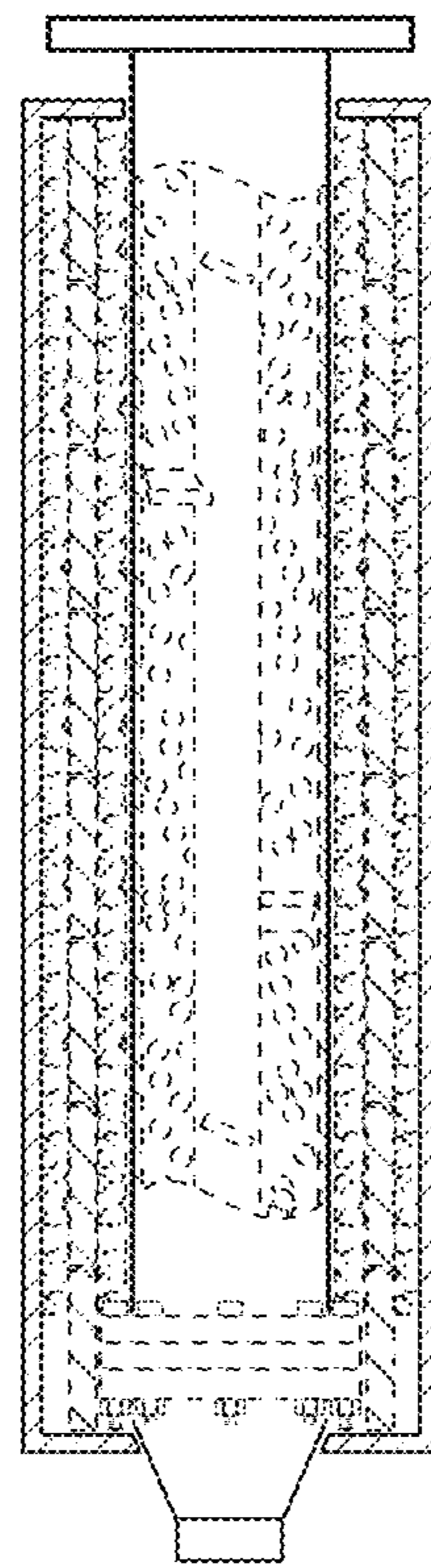


FIG. 8