



US00D740401S

(12) **United States Design Patent**  
**Young et al.**

(10) **Patent No.:** **US D740,401 S**  
(45) **Date of Patent:** **\*\* Oct. 6, 2015**

- (54) **GASKET HAVING RAISED SEALING SURFACE PATTERN**
- (71) Applicant: **Garlock Sealing Technologies, LLC**, Palmyra, NY (US)
- (72) Inventors: **Joseph D. Young**, Palmyra, NY (US); **Stefan Pitolaj**, Palmyra, NY (US); **Aydin Aykanat**, Palmyra, NY (US); **Earl J. Rogalski**, Palmyra, NY (US)
- (73) Assignee: **GARLOCK SEALING TECHNOLOGIES, LLC**, Palmyra, NY (US)

D154,936 S *	8/1949	Limbert et al.	.....	D23/260
D170,425 S *	9/1953	Monahan et al.	.....	D23/260
D191,184 S *	8/1961	Scholz et al.	.....	D23/261
3,032,062 A *	5/1962	Blahnik	.....	137/593
3,656,769 A	4/1972	Jelinek et al.		
3,836,183 A	9/1974	Battle		
3,837,657 A	9/1974	Farnam et al.		
4,109,923 A	8/1978	Tuckmantel		
4,114,908 A	9/1978	Nicholson		
4,762,172 A	8/1988	Grehier et al.		
4,880,669 A *	11/1989	Dorn et al.	.....	427/210
4,958,669 A *	9/1990	Ohta	.....	141/311 A
5,401,814 A	3/1995	Schomaker et al.		
5,510,069 A	4/1996	Schuppler et al.		
5,693,231 A	12/1997	Johnson et al.		
5,868,399 A	2/1999	Schluter		

(Continued)

- (\*\*) Term: **14 Years**
- (21) Appl. No.: **29/502,401**
- (22) Filed: **Sep. 16, 2014**

**Related U.S. Application Data**

- (63) Continuation of application No. 13/655,732, filed on Oct. 19, 2012.
- (51) **LOC (10) Cl.** ..... **23-01**
- (52) **U.S. Cl.**  
USPC ..... **D23/269**
- (58) **Field of Classification Search**  
USPC ..... D23/249, 259, 260, 262, 266, 269;  
285/15, 95, 133.21, 232, 351; 277/351,  
277/352, 353, 354, 372, 504, 626  
See application file for complete search history.

(56) **References Cited**

**U.S. PATENT DOCUMENTS**

306,293 A *	10/1884	Tennant et al.	.....	428/600
530,694 A *	12/1894	Kruger et al.	.....	277/650
D24,801 S *	10/1895	Weale et al.	.....	D23/269
D35,534 S *	12/1901	Conlin et al.	.....	D23/269
2,307,440 A	1/1943	Wilson		

**OTHER PUBLICATIONS**

US Patent & Trademark Office; "Notification of Transmittal of the International Search Report and the Written Opinion of the International Searching Authority, or the Declaration;" PCT/US12/60989; Jan. 24, 2013.

*Primary Examiner* — Eric Goodman  
*Assistant Examiner* — Daniel J Domino  
(74) *Attorney, Agent, or Firm* — Perkins Coie LLP

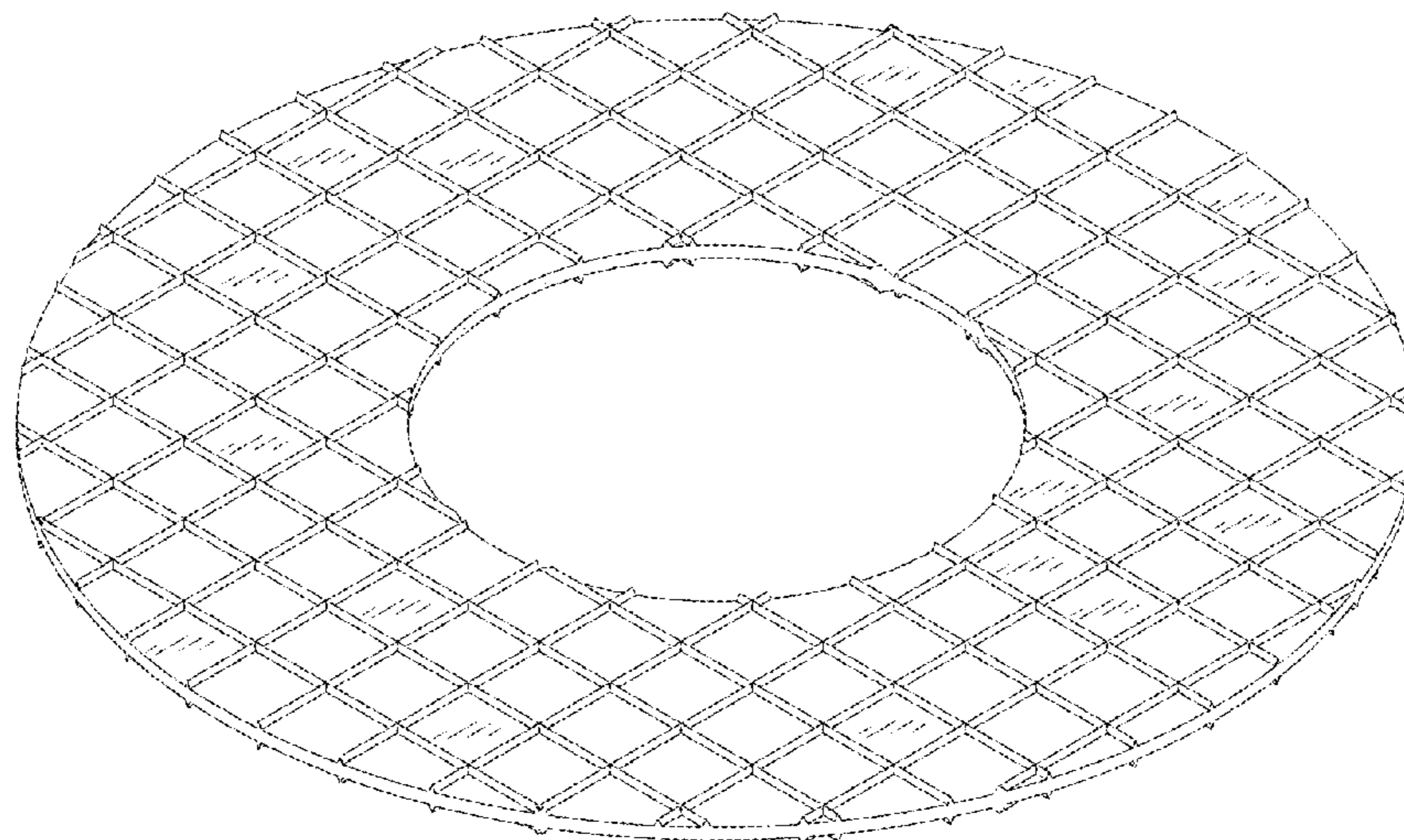
(57) **CLAIM**

The ornamental design for a gasket having raised sealing surface pattern, as shown and described.

**DESCRIPTION**

FIG. 1 is a front perspective view of the gasket; FIG. 2 is a top plan view of the gasket, which is identical to a bottom plan view of the gasket; FIG. 3 is a front side elevation view of the gasket, which is identical to a rear side elevation view of the gasket; and, FIG. 4 is a right side elevation view of the gasket, which is identical to a left side elevation view of the gasket.

**1 Claim, 3 Drawing Sheets**



(56)

References Cited

U.S. PATENT DOCUMENTS

5,992,857	A	11/1999	Ueda et al.	2007/0075505	A1	4/2007	Itoi et al.
6,588,767	B2	7/2003	Kane	2007/0122679	A1	5/2007	Hayashi et al.
6,790,394	B2	9/2004	Kim et al.	2007/0154769	A1	7/2007	Kuroki et al.
6,981,704	B2	1/2006	Okazaki et al.	2007/0205566	A1*	9/2007	Ragsdale et al. .... 277/628
7,361,398	B2	4/2008	Dove	2008/0280040	A1*	11/2008	Barrall et al. .... 427/256
D571,898	S *	6/2008	Gilligan ..... D23/260	2008/0309027	A1	12/2008	Rogeon et al.
D614,267	S *	4/2010	Breda ..... D23/261	2009/0029231	A1	1/2009	Hood et al.
7,786,028	B2	8/2010	Souther et al.	2010/0011494	A1*	1/2010	Dees ..... 4/292
8,161,711	B2	4/2012	Steed et al.	2010/0155986	A1*	6/2010	Tanner et al. .... 264/153
D678,483	S *	3/2013	Barker ..... D23/261	2010/0186740	A1	7/2010	Lewis et al.
2002/0050692	A1	5/2002	Nishimuro et al.	2010/0253012	A1	10/2010	Zhuang et al.
2003/0042688	A1*	3/2003	Davie et al. .... 277/590	2010/0276125	A1	11/2010	Krantz et al.
2003/0080518	A1*	5/2003	Burton et al. .... 277/616	2011/0101627	A1*	5/2011	Labrenz et al. .... 277/630
2003/0209279	A1*	11/2003	Weibel et al. .... 138/149	2012/0025420	A1	2/2012	Utashiro et al.
2003/0234498	A1*	12/2003	Busby et al. .... 277/651	2013/0062837	A1	3/2013	Sasaki
2006/0266642	A1	11/2006	Akle et al.	2013/0228984	A1*	9/2013	Watanabe ..... 277/654
				2013/0341874	A1*	12/2013	Aykanat et al. .... 277/612
				2014/0217681	A1*	8/2014	Vu ..... 277/627

\* cited by examiner

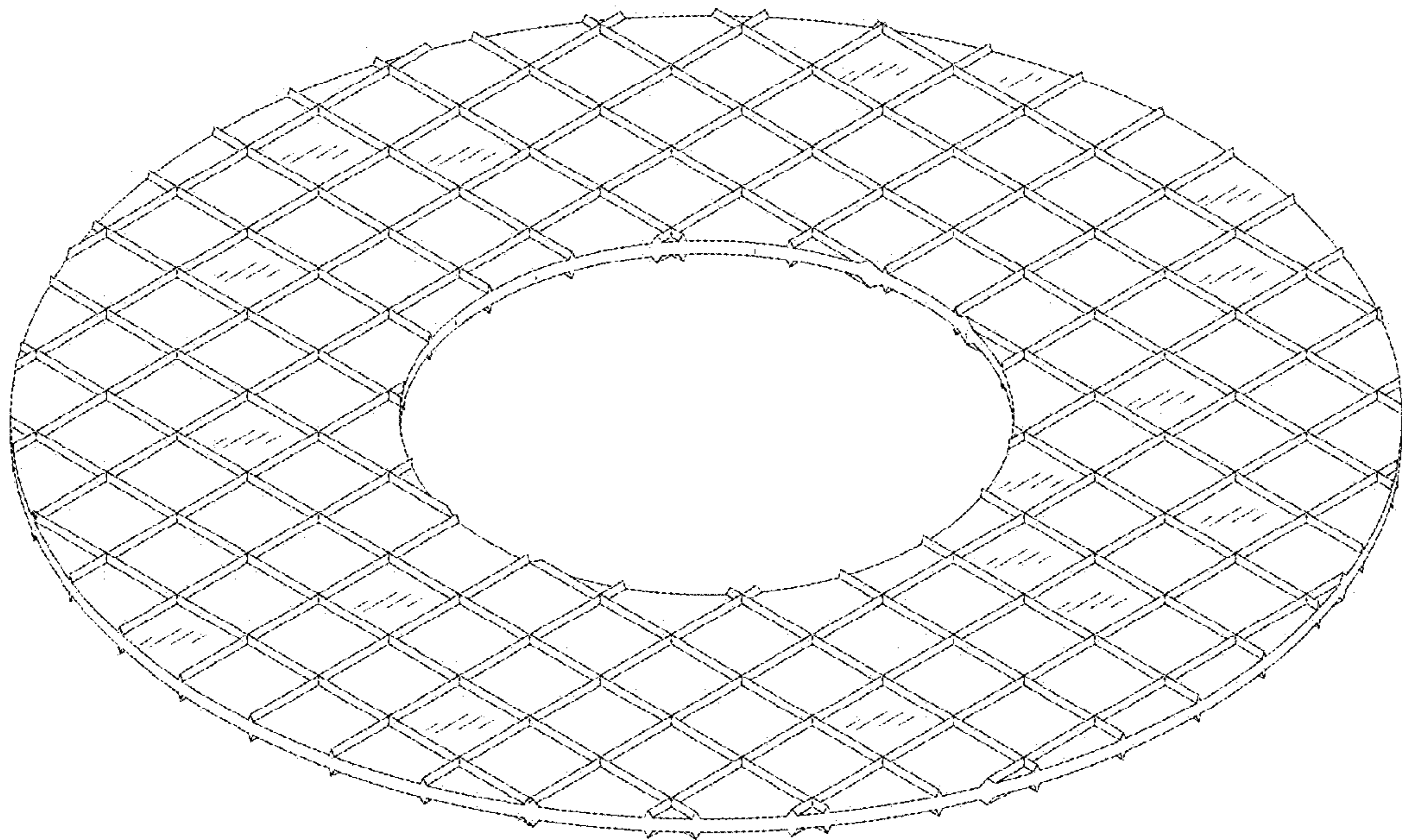


FIG.1

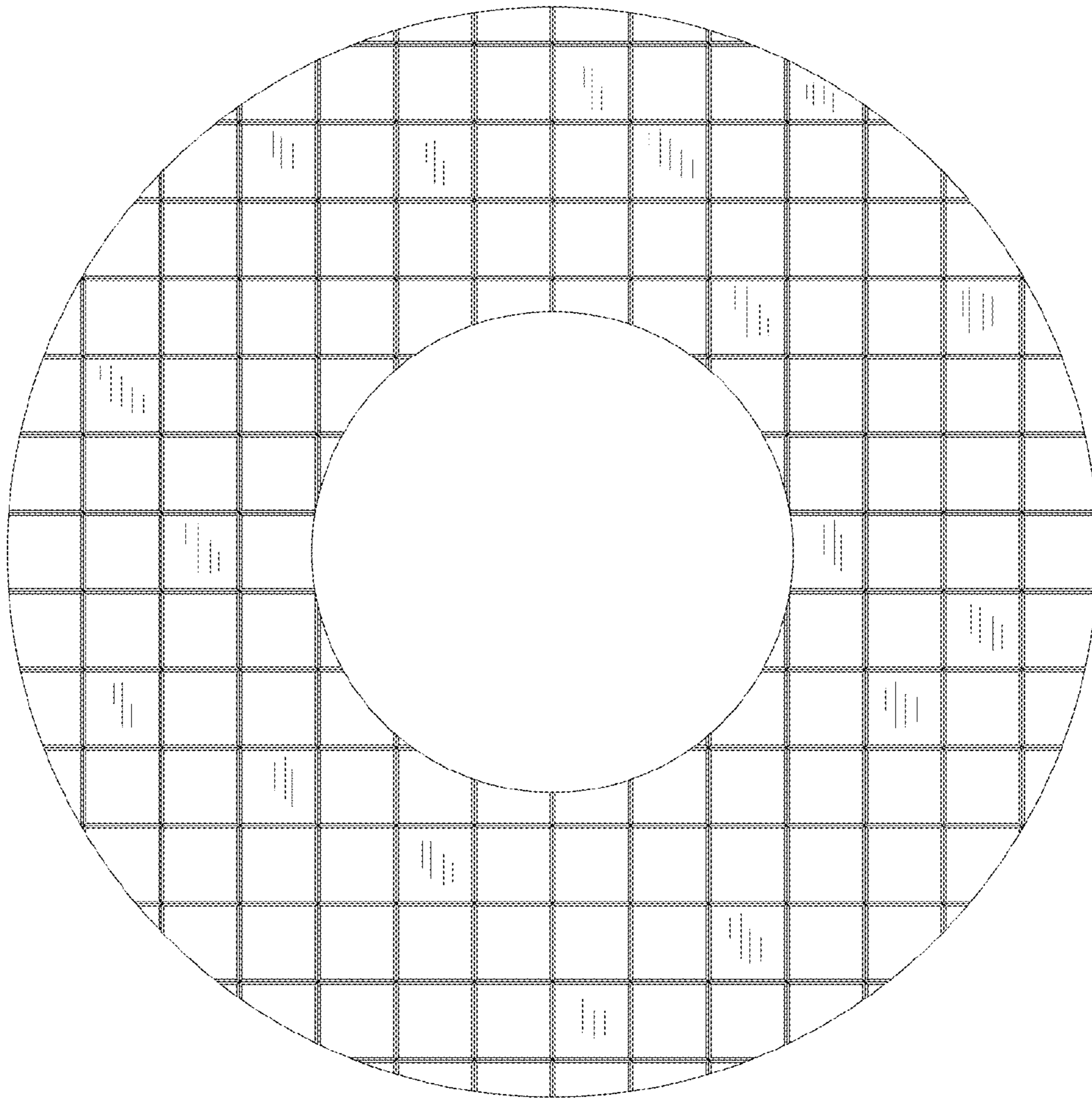


FIG.2

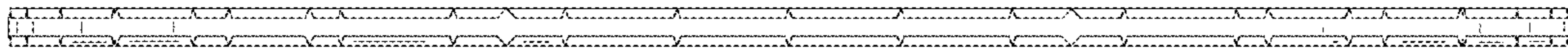


FIG.3

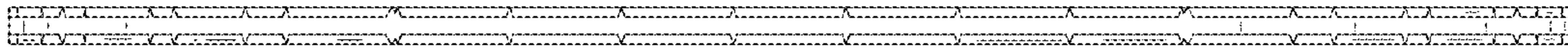


FIG.4