



US00D740400S

(12) **United States Design Patent**
Roddy et al.

(10) **Patent No.:** **US D740,400 S**
(45) **Date of Patent:** **** Oct. 6, 2015**

(54) **FENCE PIPE PLUMB LEVEL**

(71) Applicants: **Kenneth J Roddy**, Garland, TX (US);
Jeffrey H Roddy, Richardson, TX (US)

(72) Inventors: **Kenneth J Roddy**, Garland, TX (US);
Jeffrey H Roddy, Richardson, TX (US)

(**) Term: **14 Years**

(21) Appl. No.: **29/513,648**

(22) Filed: **Jan. 4, 2015**

Related U.S. Application Data

(63) Continuation-in-part of application No. 29/484,893,
filed on Mar. 13, 2014.

(51) **LOC (10) Cl.** **23-01**

(52) **U.S. Cl.**
USPC **D23/262**

(58) **Field of Classification Search**

USPC D23/259, 260, 262, 265, 266
CPC F16L 2201/00; F16L 2201/10; F16L
2201/60; F16L 55/00; F16L 55/168; H02G
3/32

See application file for complete search history.

(56) **References Cited**

U.S. PATENT DOCUMENTS

1,704,760 A * 3/1929 Parker 138/99
2,408,253 A * 9/1946 Diebold 174/136

(Continued)

Primary Examiner — Eric Goodman

Assistant Examiner — Daniel J Domino

(74) *Attorney, Agent, or Firm* — Jeffrey Roddy

(57) **CLAIM**

The ornamental design for the fence pipe plumb level, as
shown and described.

DESCRIPTION

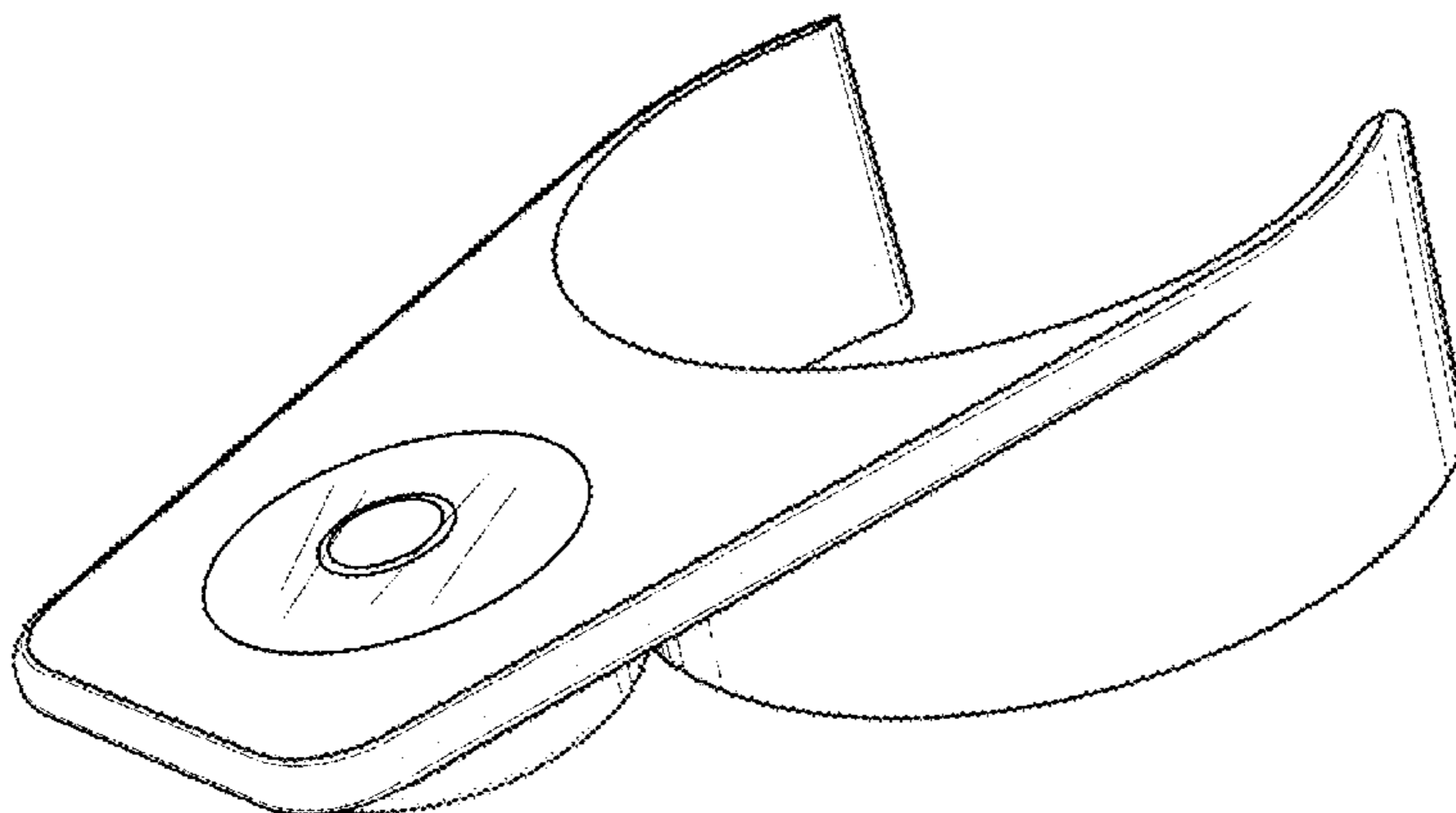
FIG. 1 is a perspective view of a fence pipe plumb level
showing a first embodiment

FIG. 2 is a perspective view from the opposite side of that
shown in FIG. 1;

FIG. 3 is a side elevation thereof;
FIG. 4 is a top plan view thereof;
FIG. 5 is a cross-section view taken along line 5-5 of FIG. 4;
FIG. 6 is a bottom plan thereof;
FIG. 7 is an end view thereof;
FIG. 8 is an end view thereof from the opposite side of that
shown in FIG. 7;
FIG. 9 is a perspective view showing the article in use;
FIG. 10 is a perspective view of a second embodiment;
FIG. 11 is a perspective view from the opposite side of that
shown in FIG. 10;
FIG. 12 is a bottom plan view thereof;
FIG. 13 is a side elevation view thereof;
FIG. 14 is a top plan view thereof;
FIG. 15 is a cross-section view taken along the line 15-15 of
FIG. 14;
FIG. 16 is an end view thereof;
FIG. 17 is an end view from the opposite side of that shown in
FIG. 16;
FIG. 18 is a perspective view of a third embodiment;
FIG. 19 is a perspective view from the opposite side of that
shown in FIG. 18;
FIG. 20 is a side elevation view;
FIG. 21 is a top plan view thereof;
FIG. 22 is a cross-section view taken along the line 22-22 of
FIG. 21;
FIG. 23 is a bottom plan view thereof;
FIG. 24 is an end view thereof;
FIG. 25 is an end view from the opposite side of that shown in
FIG. 24;
FIG. 26 is a perspective view of a fourth embodiment;
FIG. 27 is a perspective view from the opposite side of that
shown in FIG. 26;
FIG. 28 is a side elevation view;
FIG. 29 is a top plan view thereof;
FIG. 30 is a cross-section view taken along the line 30-30 of
FIG. 29;
FIG. 31 is a bottom plan view thereof;
FIG. 32 is an end view thereof; and,
FIG. 33 is an end view from the opposite side of that shown in
FIG. 32.

The broken lines shown in the figures are for the purpose of
illustrating environment only and form no part of the claimed
design.

1 Claim, 13 Drawing Sheets



(56)

References Cited

U.S. PATENT DOCUMENTS

| | | | | | | | | | |
|-----------|-----|---------|----------------------|----------|--------------|------|---------|-------------------------|-----------|
| 2,850,045 | A * | 9/1958 | Soehrlen et al. | 138/99 | 5,020,572 | A * | 6/1991 | Hunt | 138/99 |
| D189,229 | S * | 11/1960 | Bowne et al. | D23/265 | D372,074 | S * | 7/1996 | Wallace et al. | D23/269 |
| 3,385,545 | A * | 5/1968 | Patton | 248/68.1 | 5,660,417 | A * | 8/1997 | Reeves | 285/93 |
| 3,649,055 | A * | 3/1972 | Nilsen | 285/197 | D409,293 | S * | 5/1999 | Senninger | D23/265 |
| 3,963,140 | A * | 6/1976 | Harding | 215/254 | D468,002 | S * | 12/2002 | Steffan | D23/260 |
| 4,139,883 | A * | 2/1979 | Ilzig et al. | 362/404 | D714,917 | S * | 10/2014 | Miller et al. | D23/269 |
| 4,244,542 | A * | 1/1981 | Mathews | 248/49 | 2006/0048418 | A1 * | 3/2006 | Boire et al. | 40/316 |
| D270,140 | S * | 8/1983 | Berglund | D9/438 | 2007/0034758 | A1 * | 2/2007 | Bates | 248/218.4 |
| 4,407,472 | A * | 10/1983 | Beck | 248/89 | 2012/0111280 | A1 * | 5/2012 | Shin et al. | 119/78 |
| | | | | | 2013/0032130 | A1 * | 2/2013 | Jacques et al. | 126/30 |
| | | | | | 2013/0152291 | A1 * | 6/2013 | Stonecipher et al. | 4/252.1 |
| | | | | | 2014/0007438 | A1 * | 1/2014 | Silberberg | 33/371 |

* cited by examiner

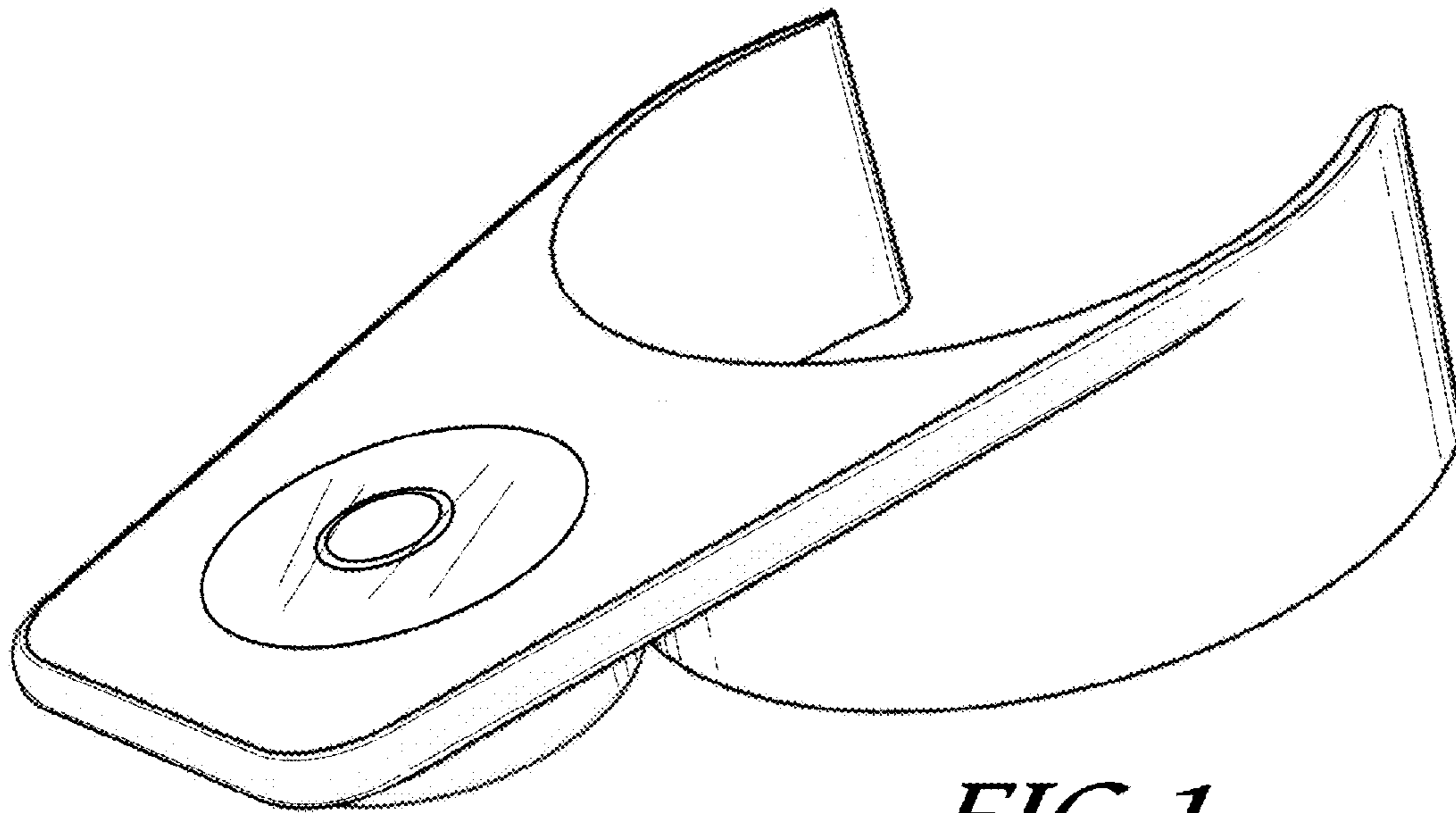


FIG. 1

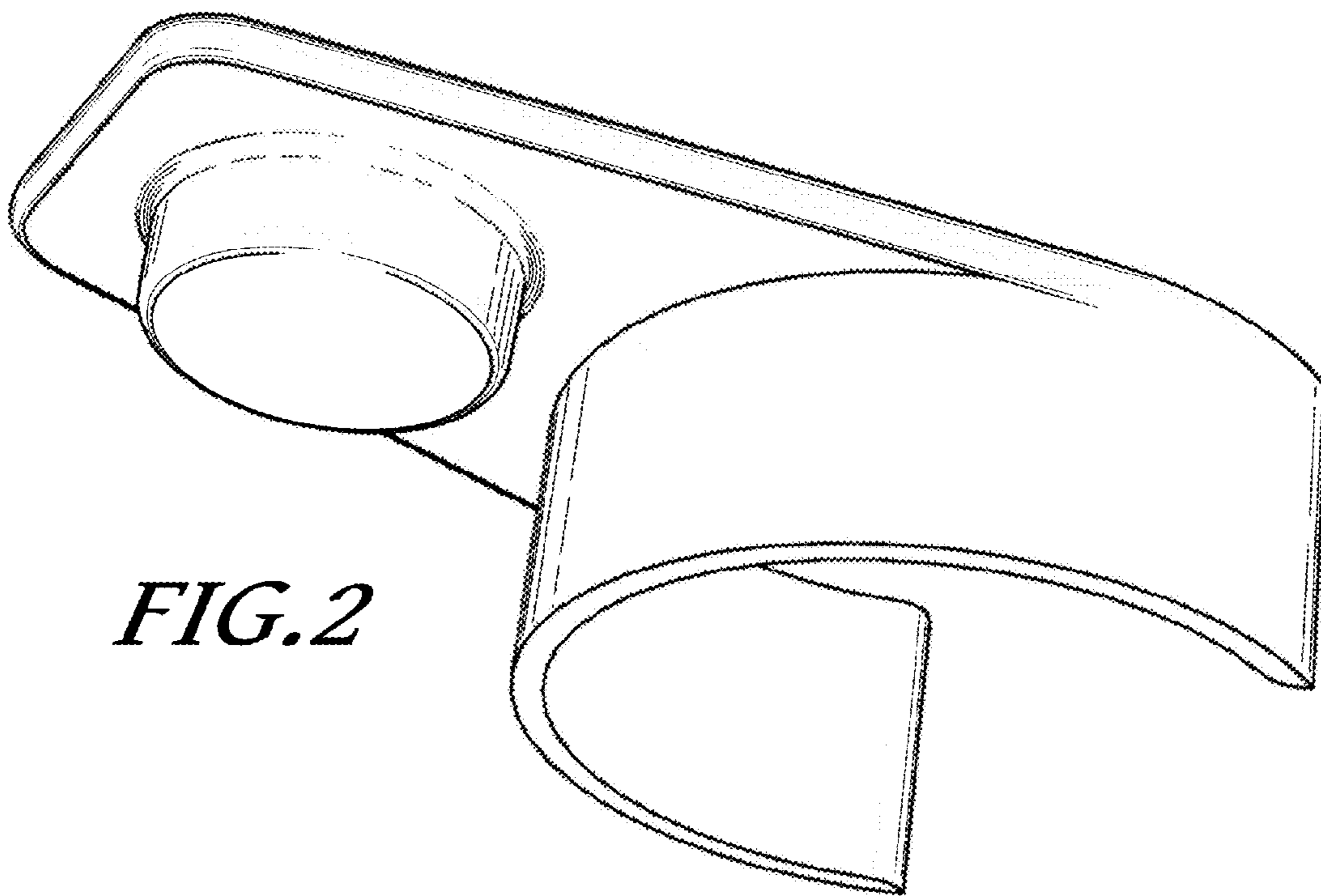


FIG. 2

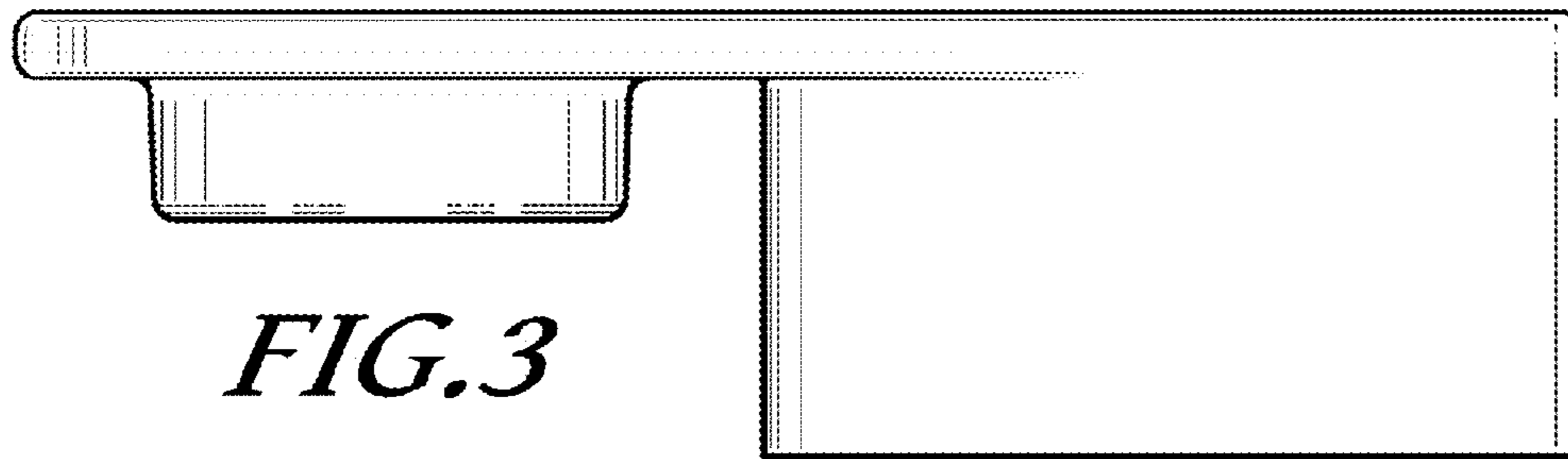


FIG. 3

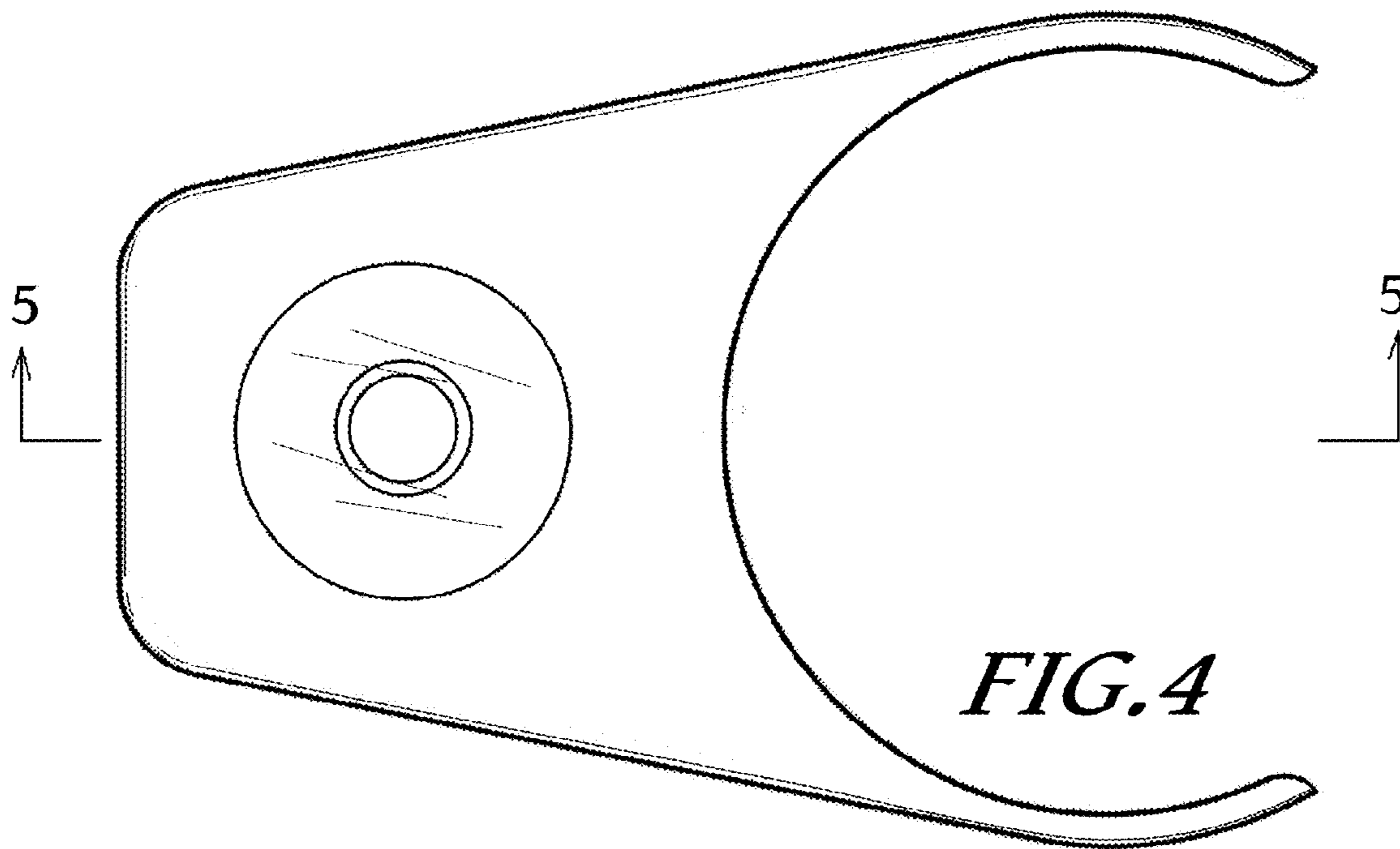


FIG. 4

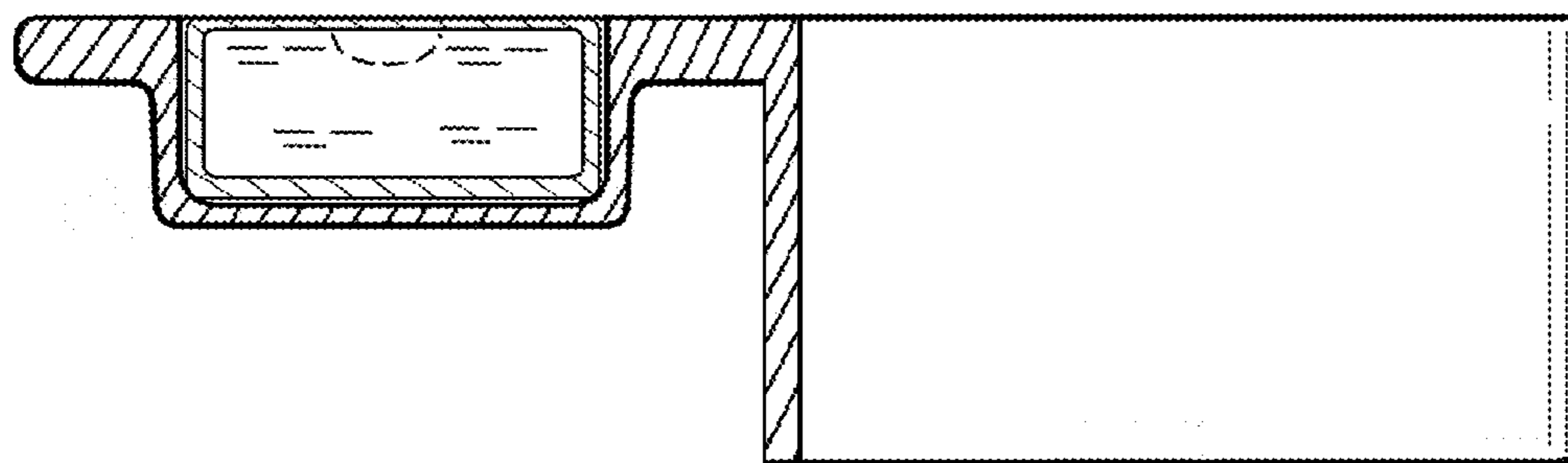


FIG. 5

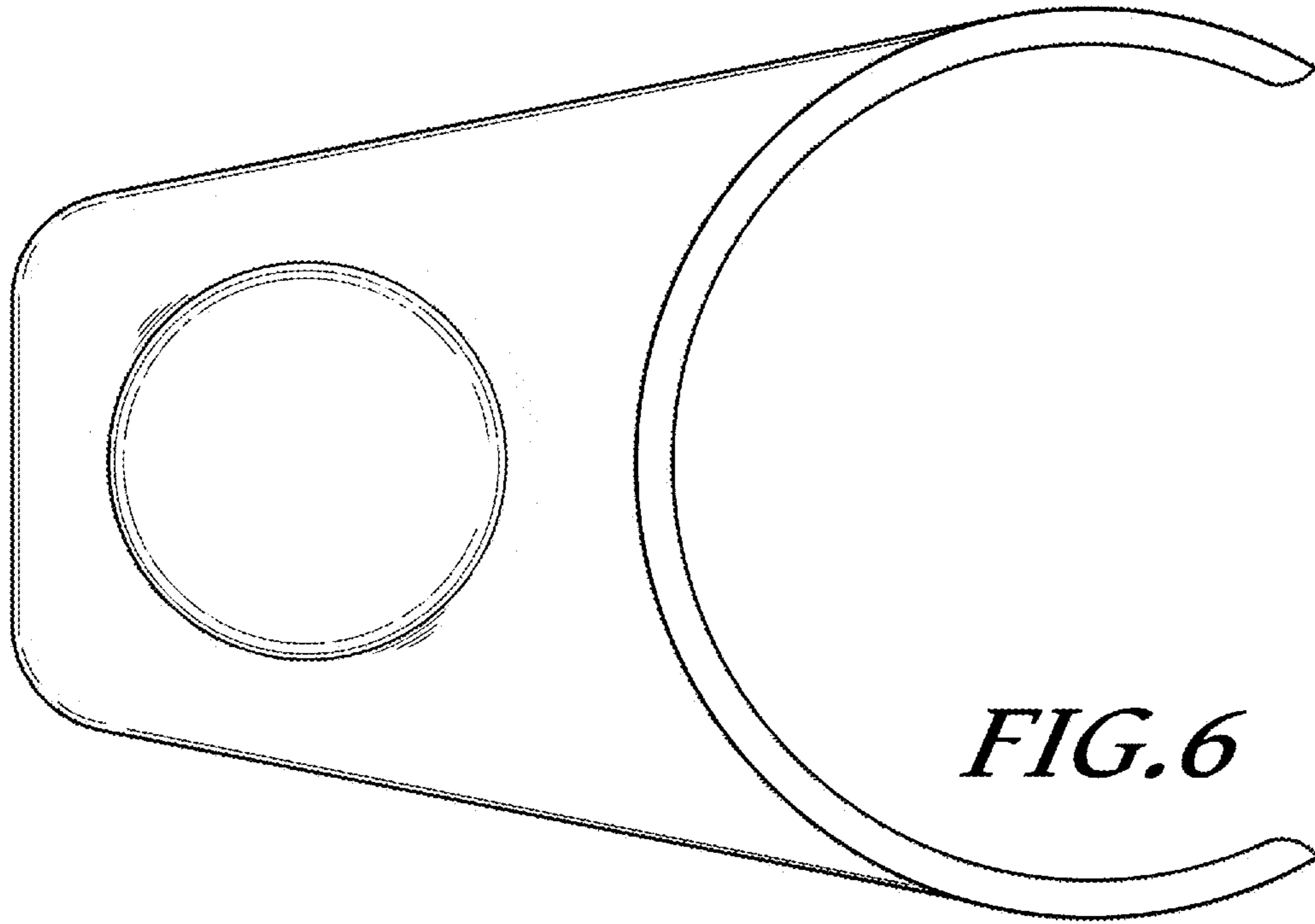
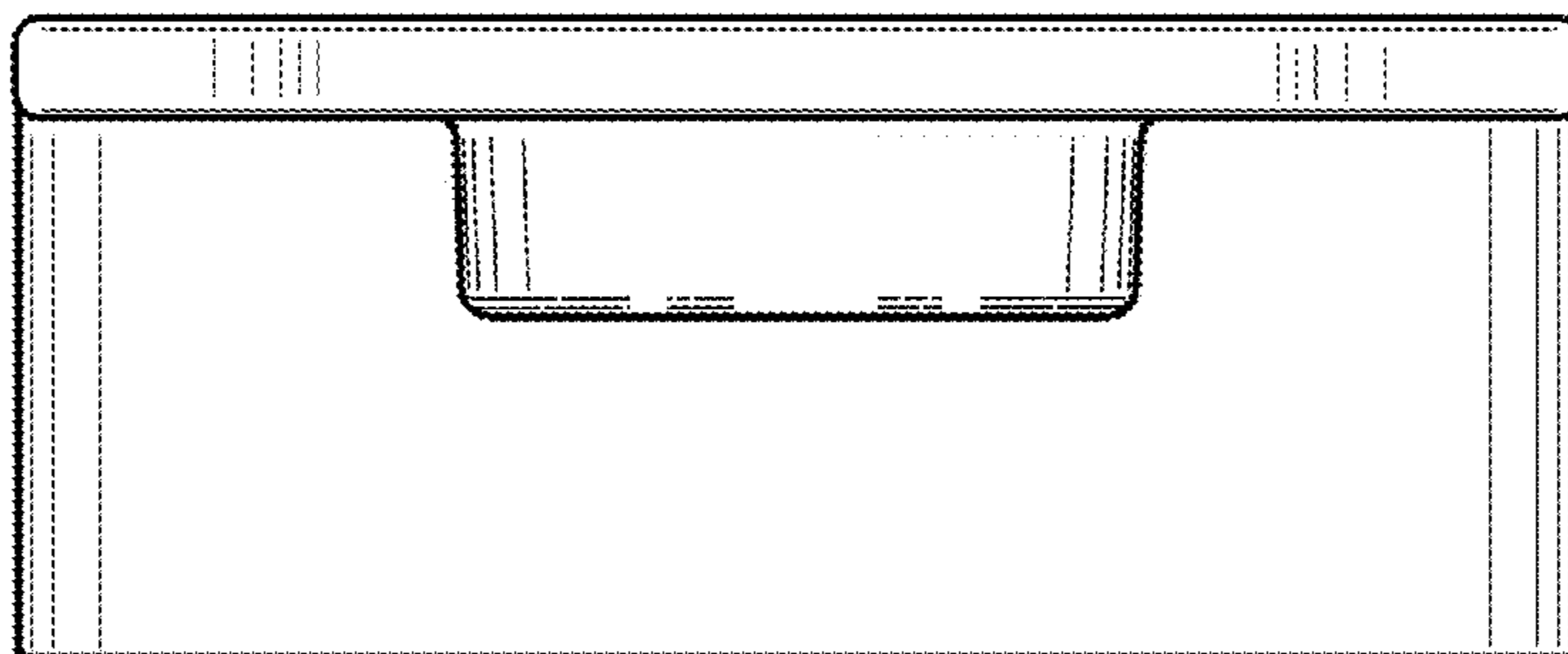
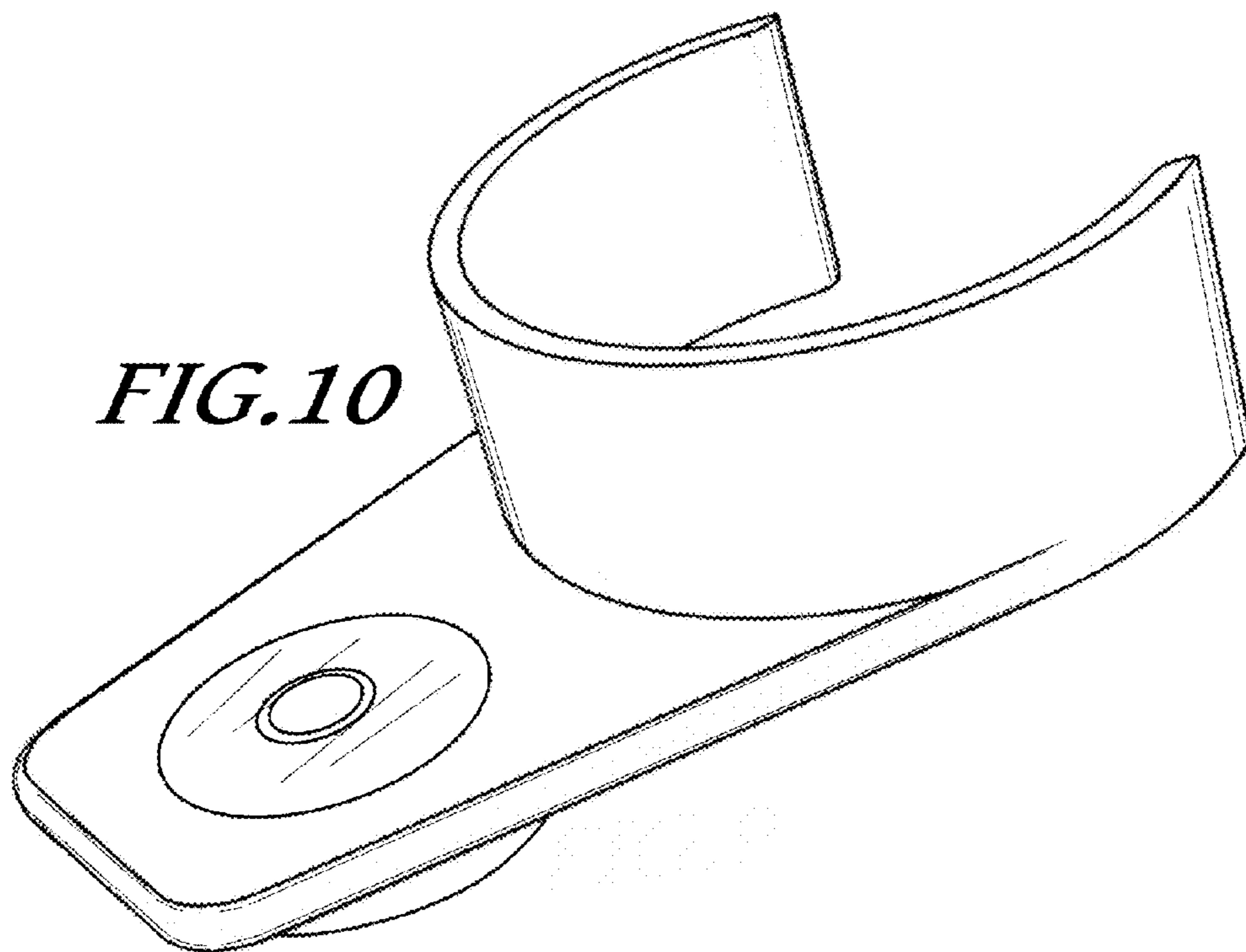
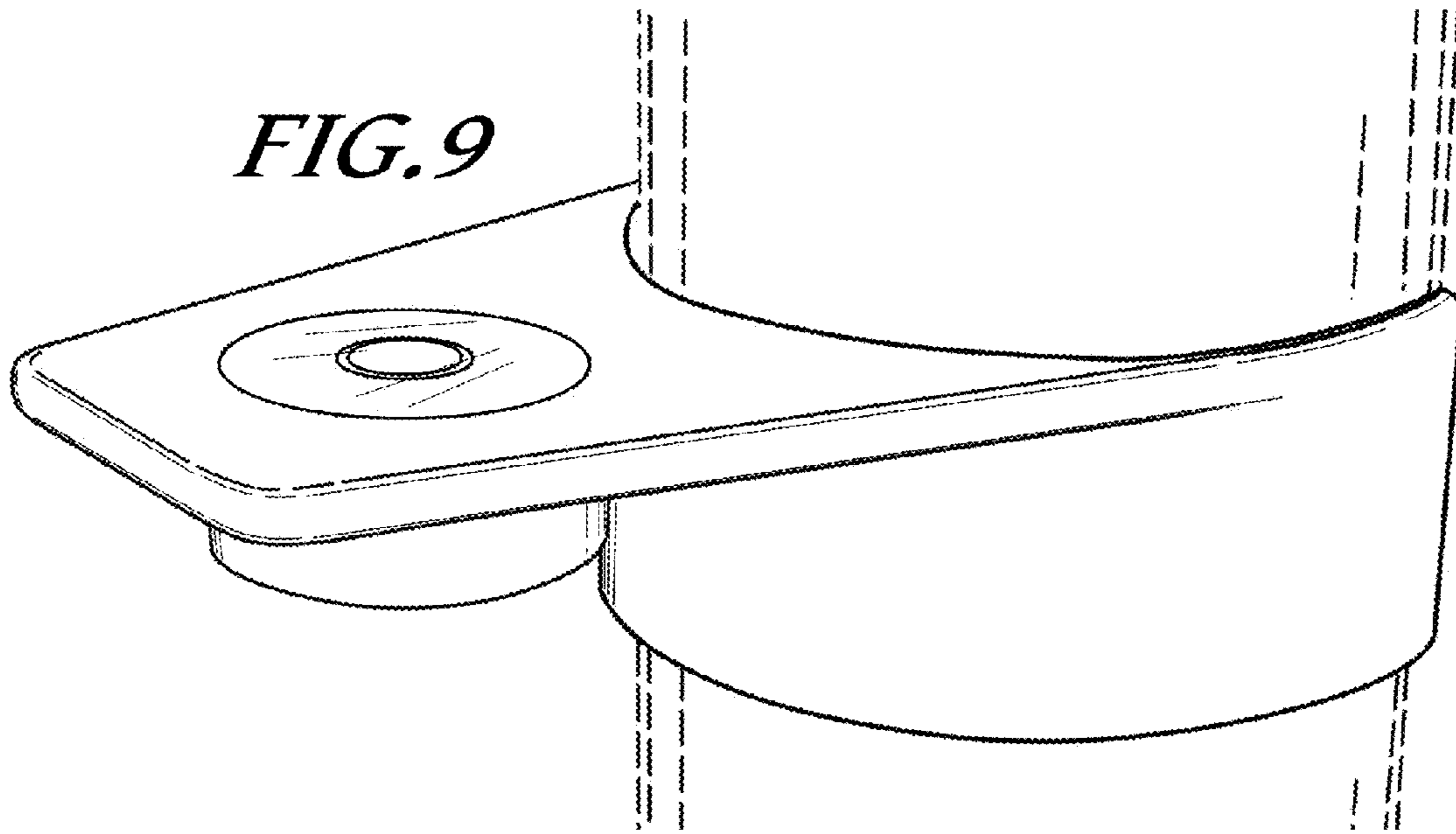


FIG. 7



FIG. 8





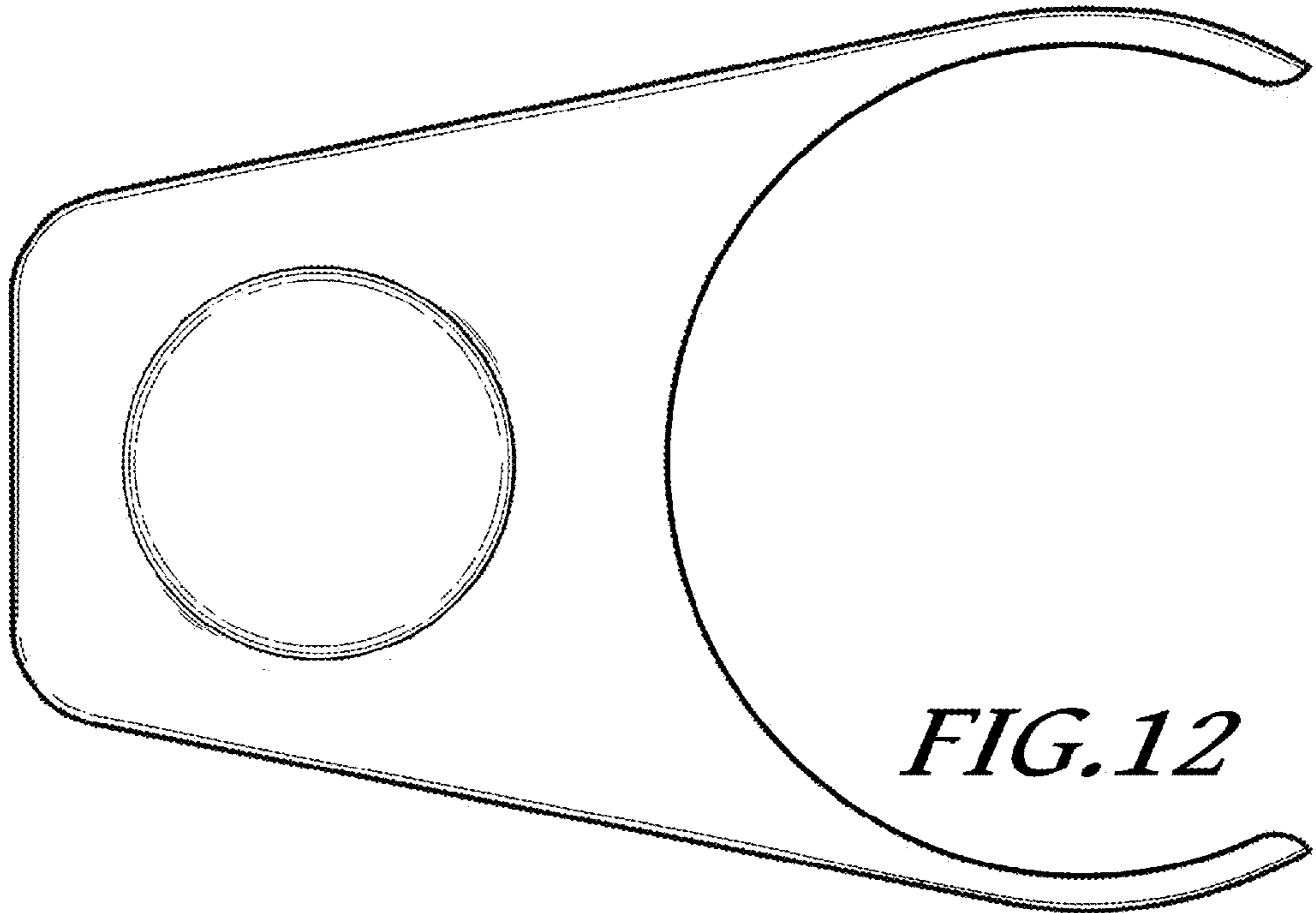
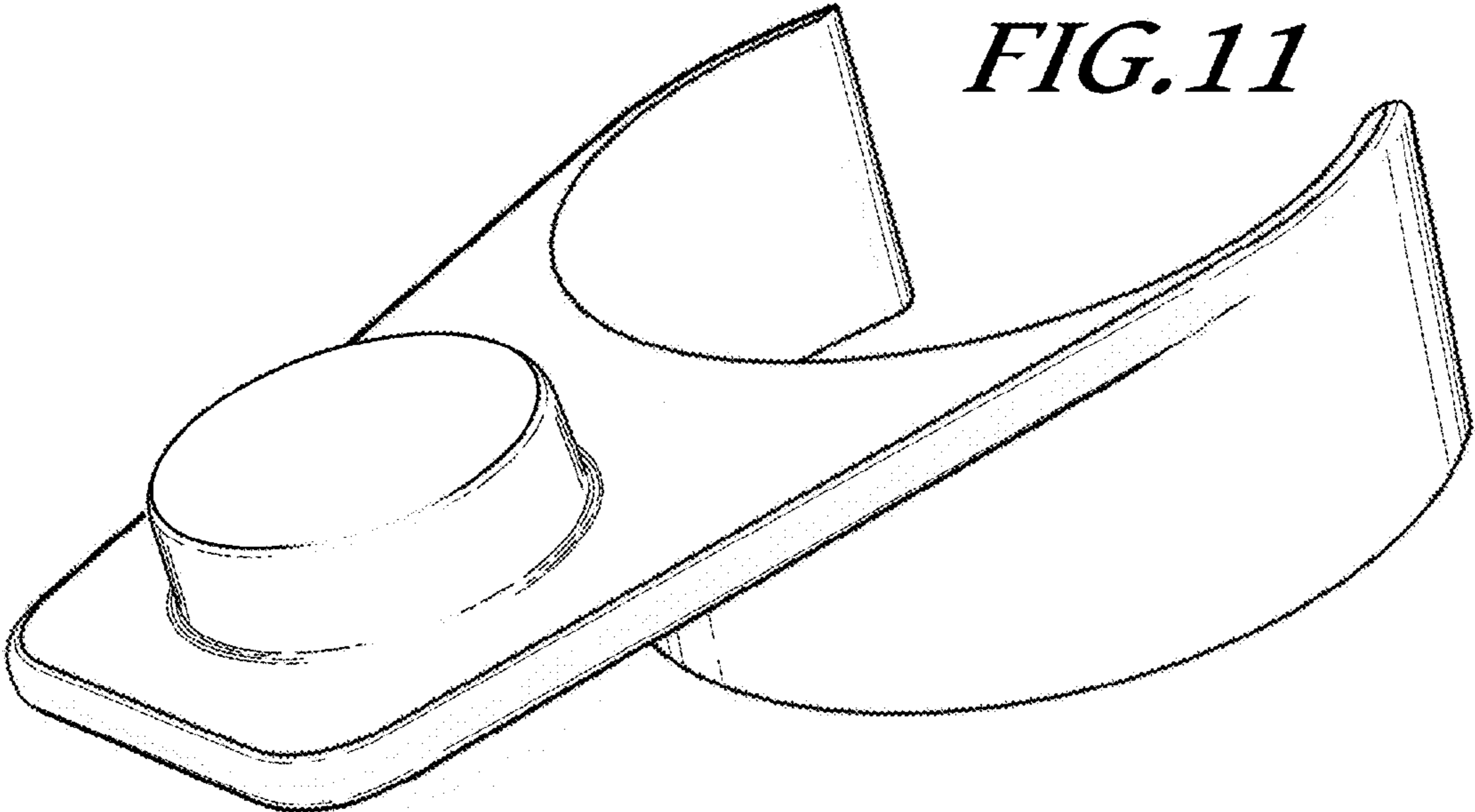
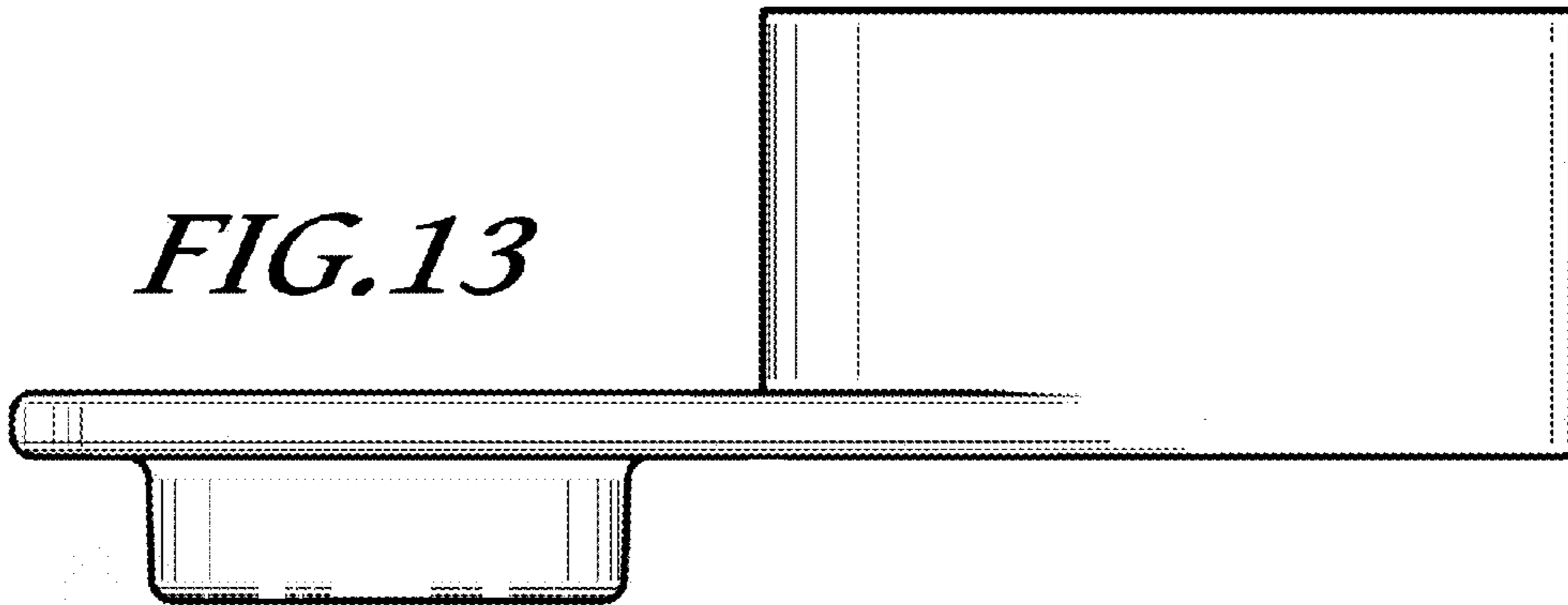
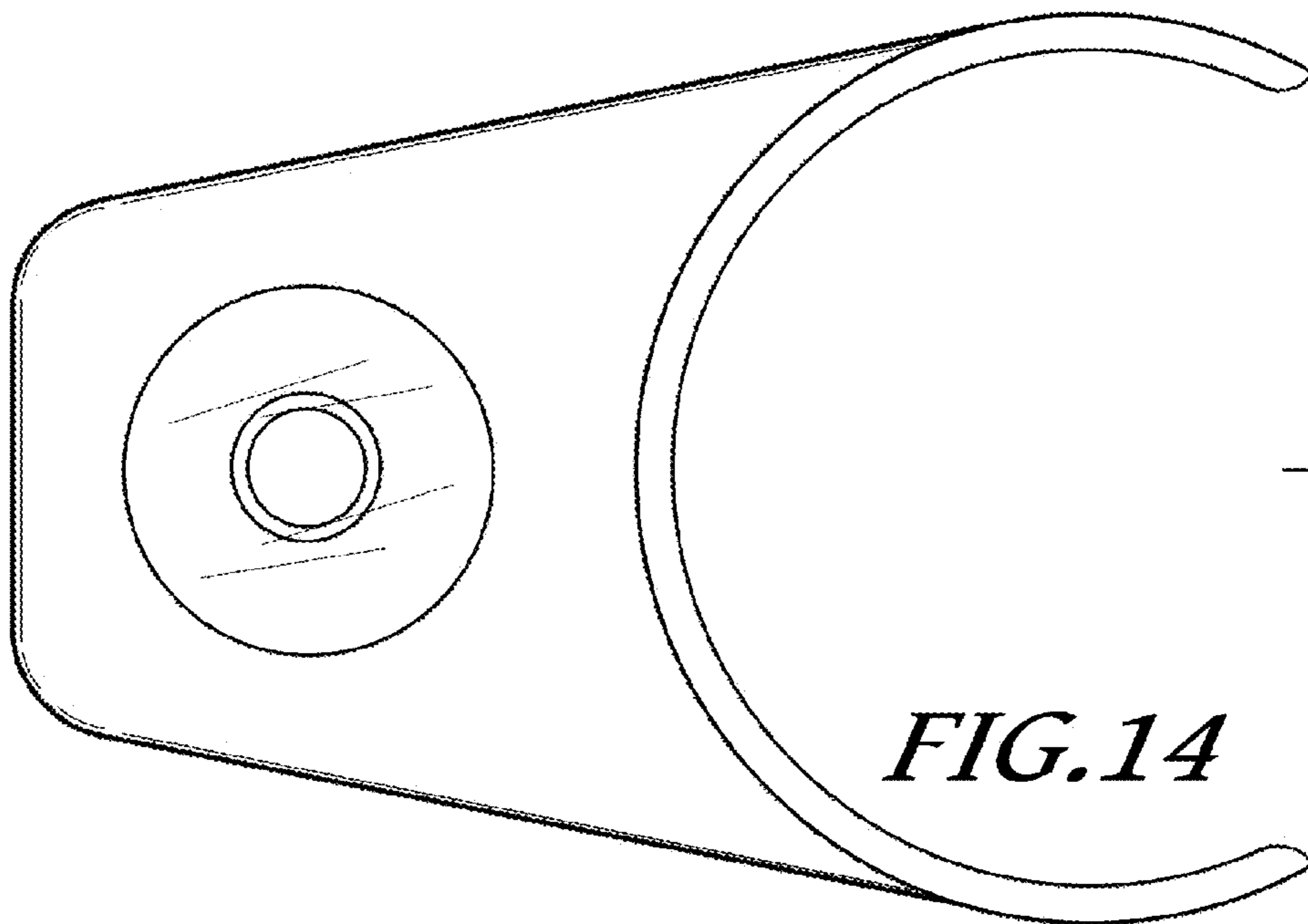
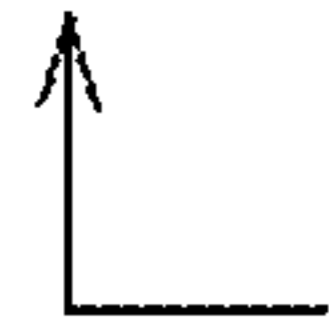


FIG. 13



15

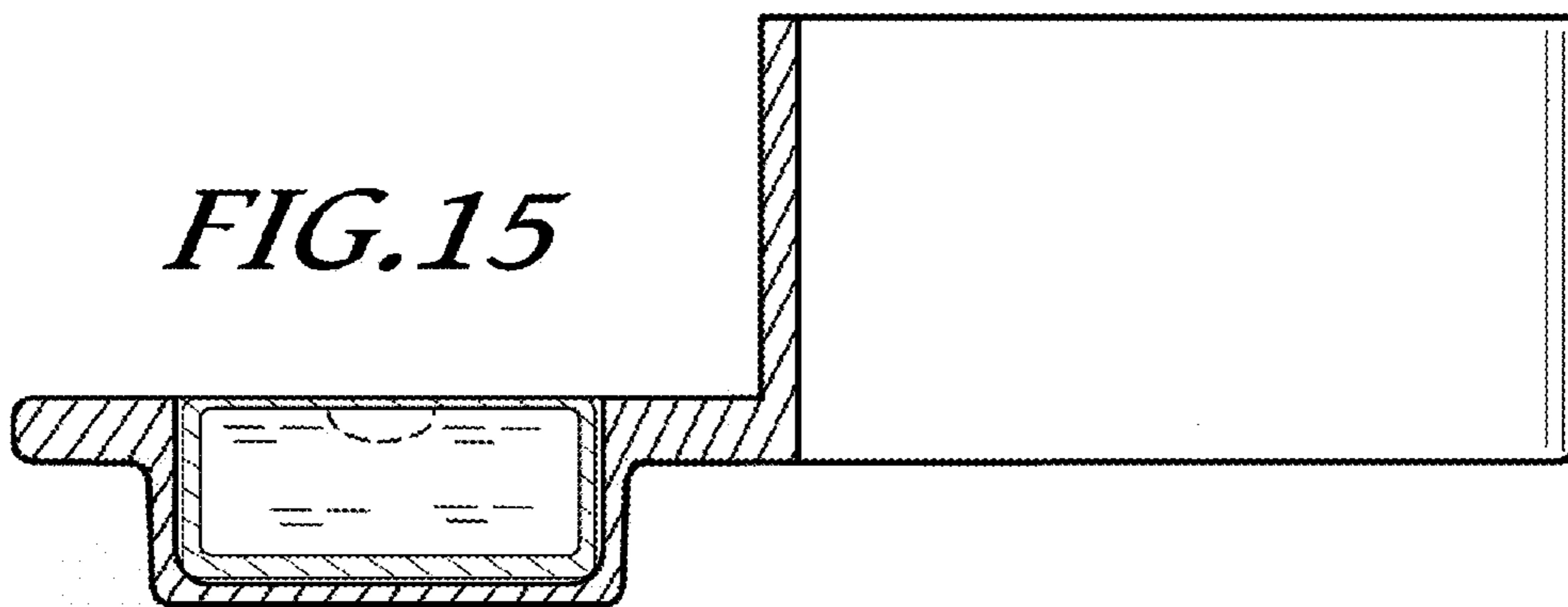


15



FIG. 14

FIG. 15



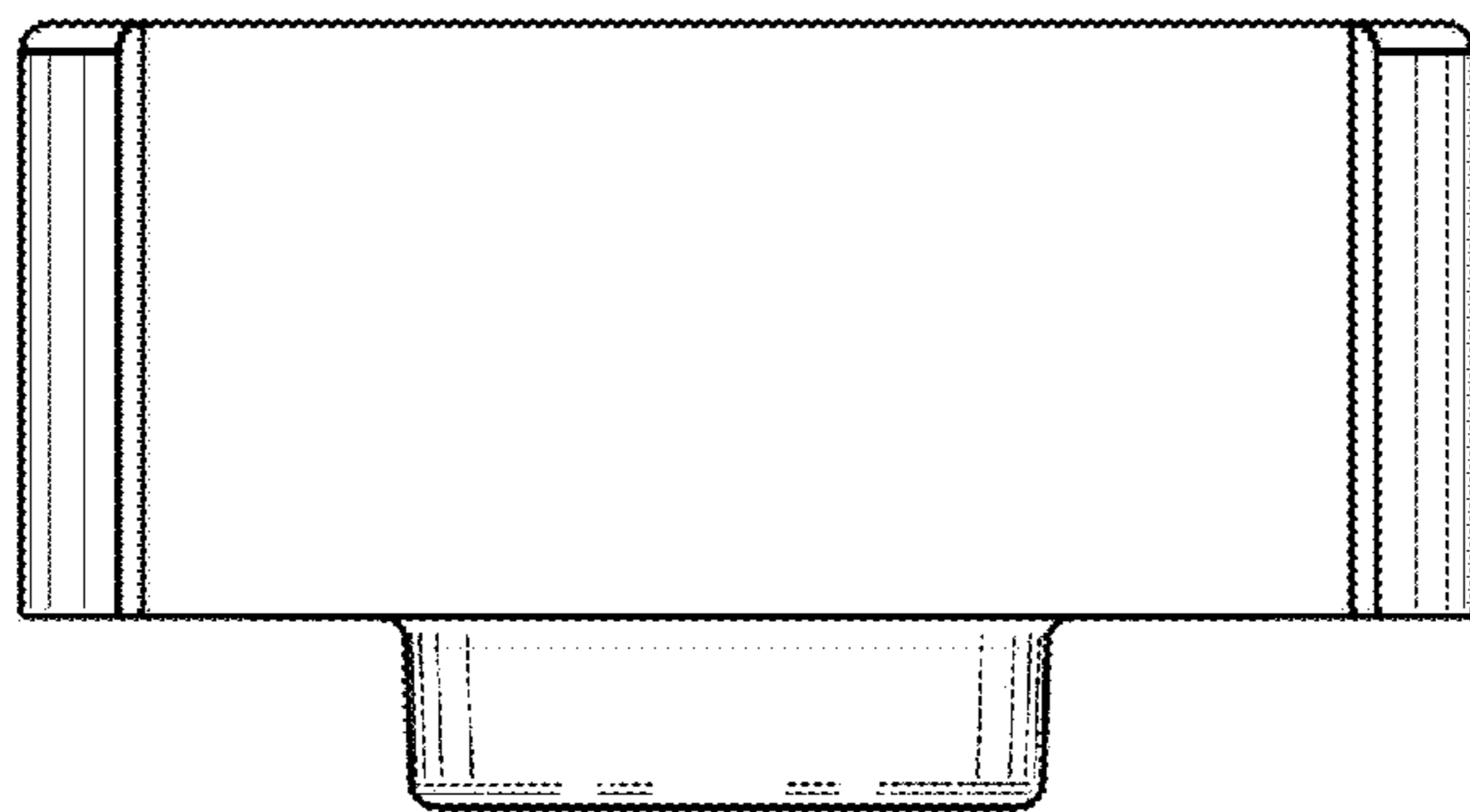


FIG. 16

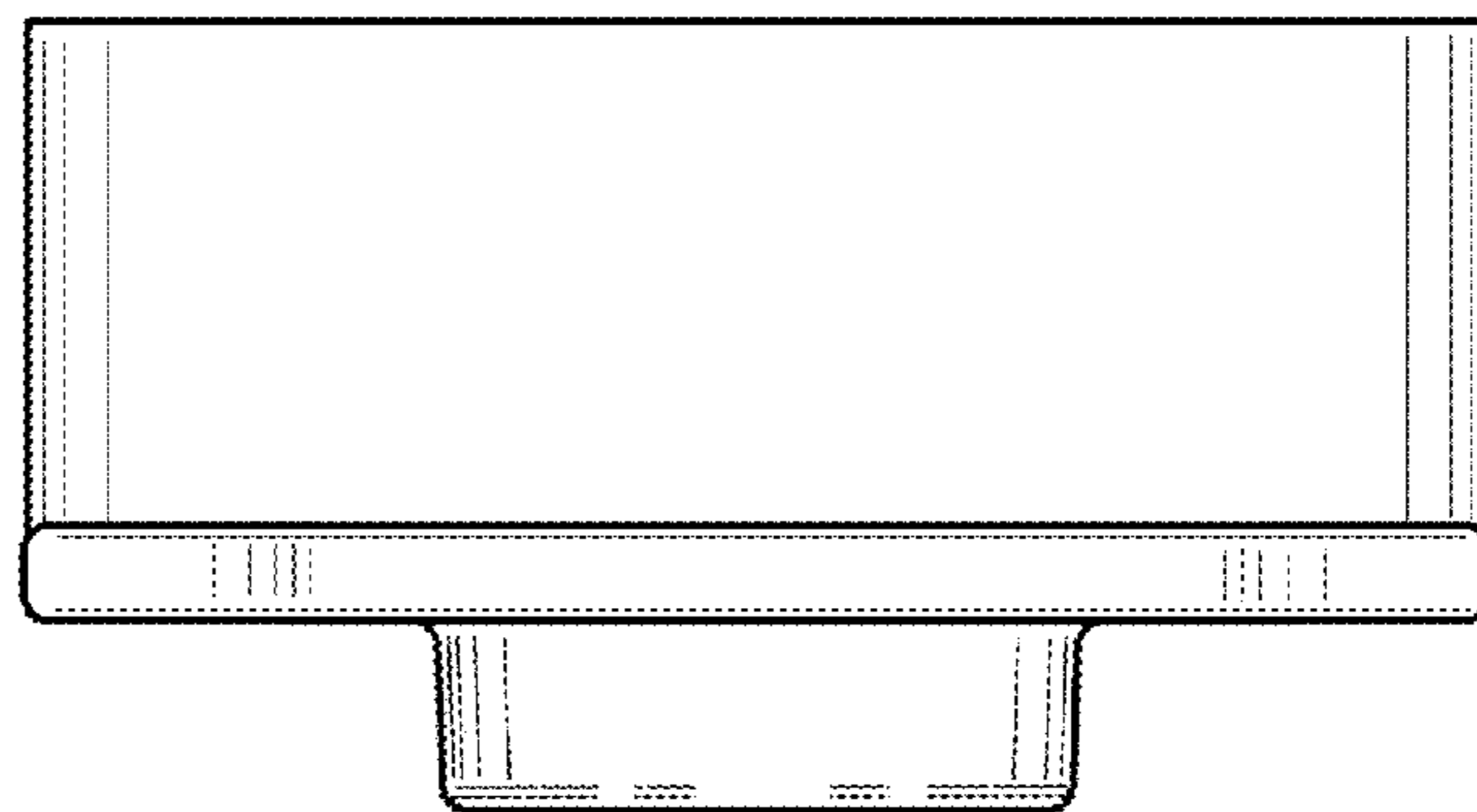


FIG. 17

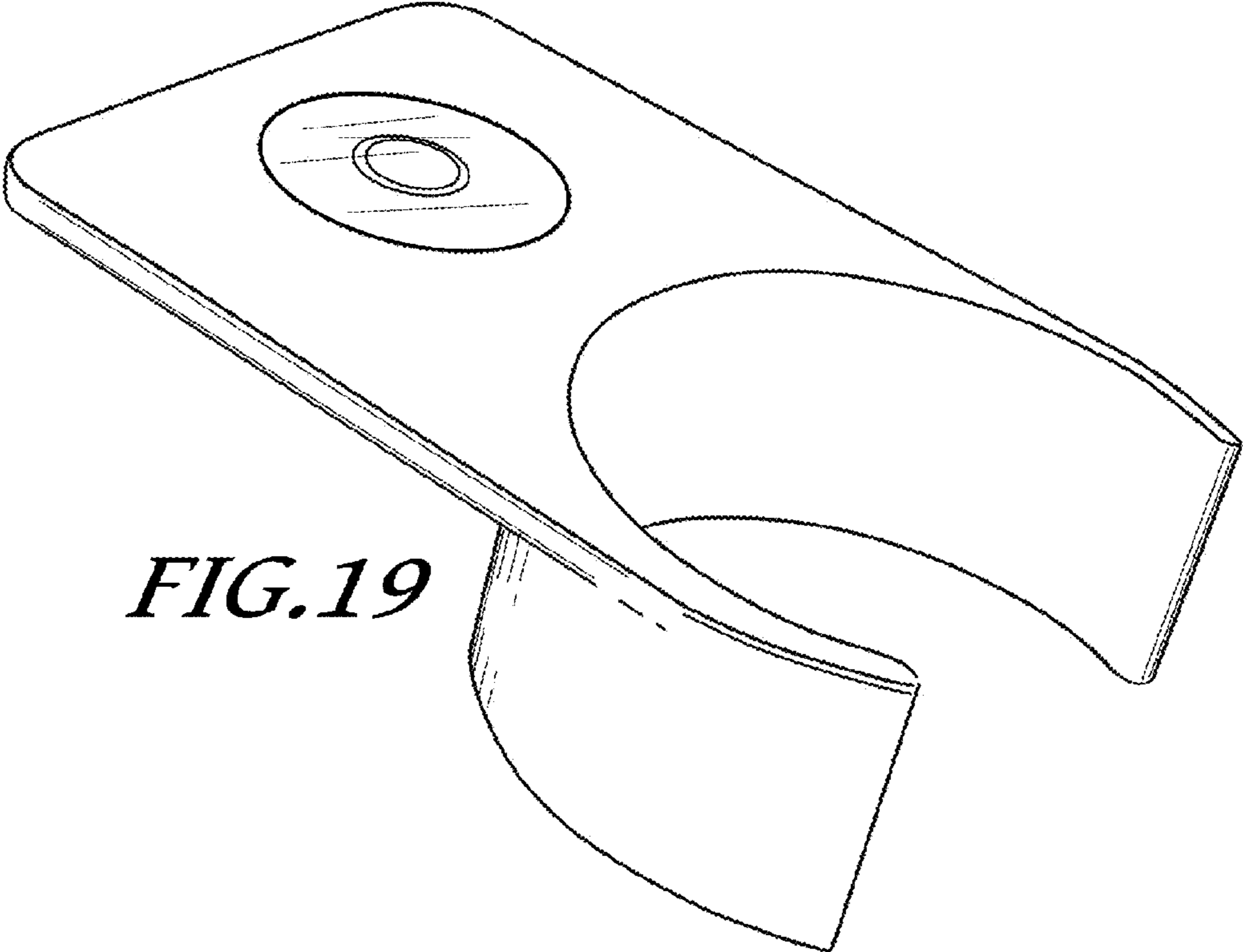
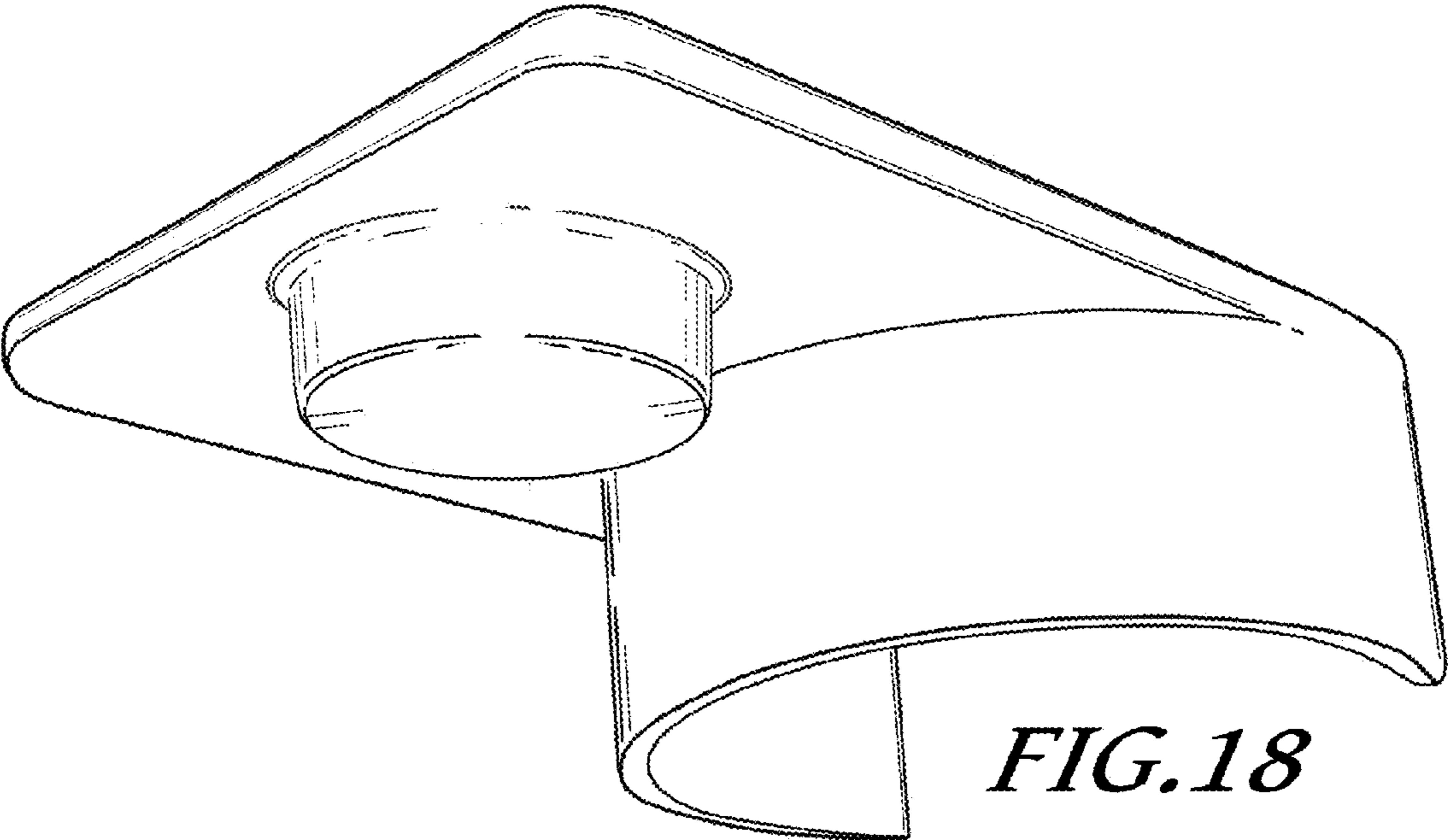


FIG. 20

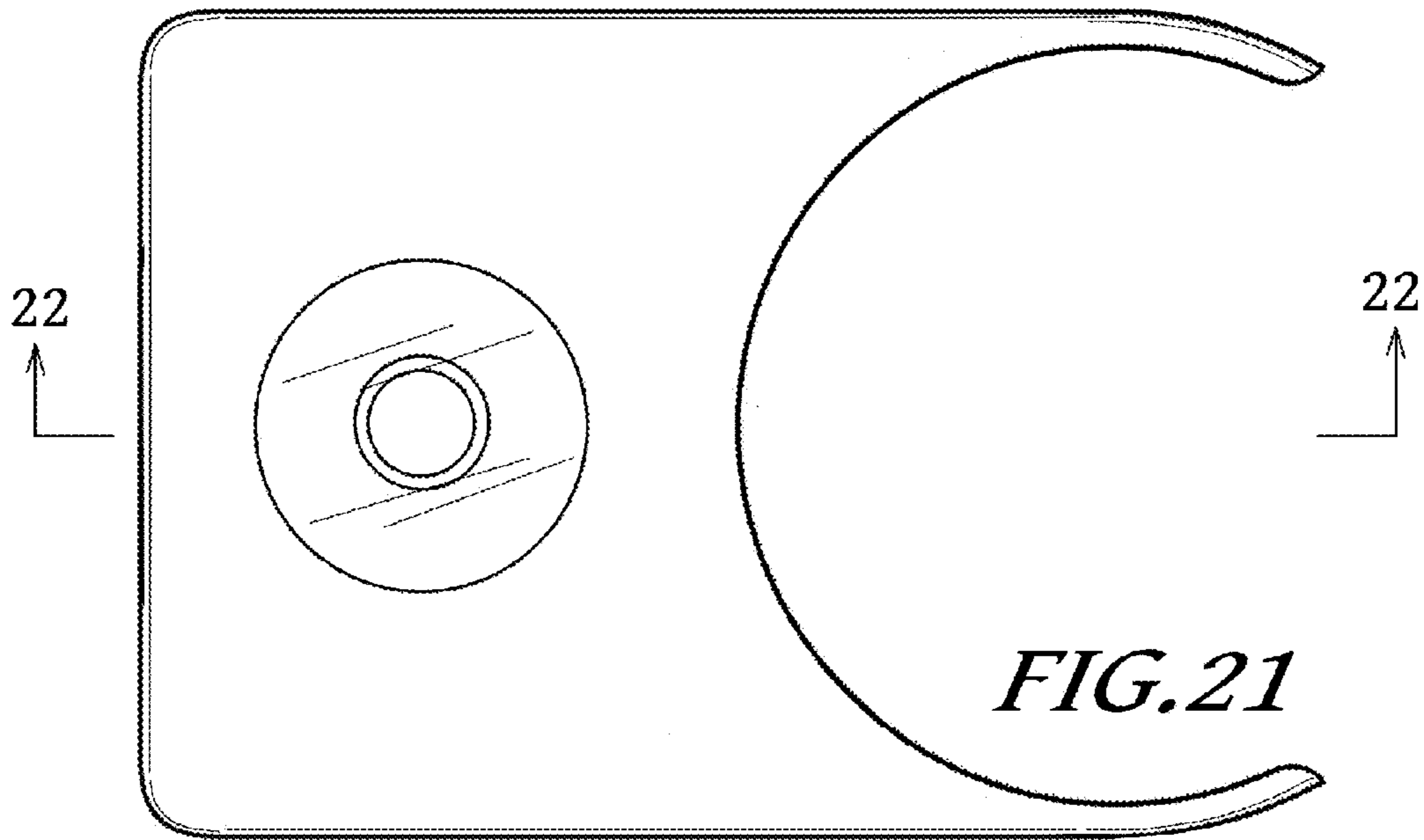
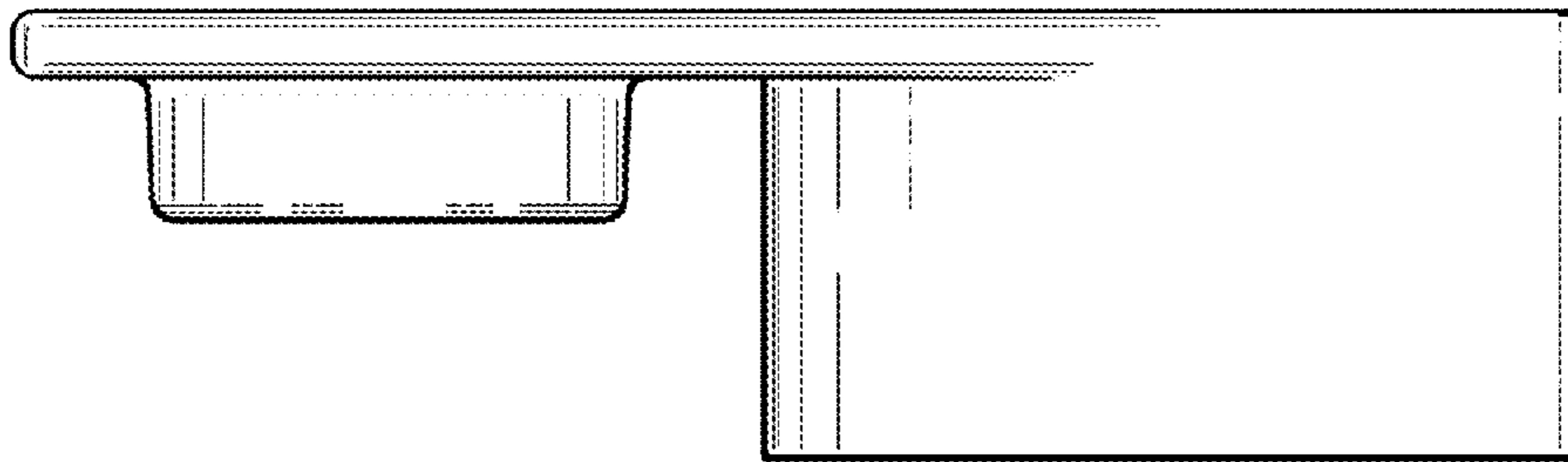


FIG. 21

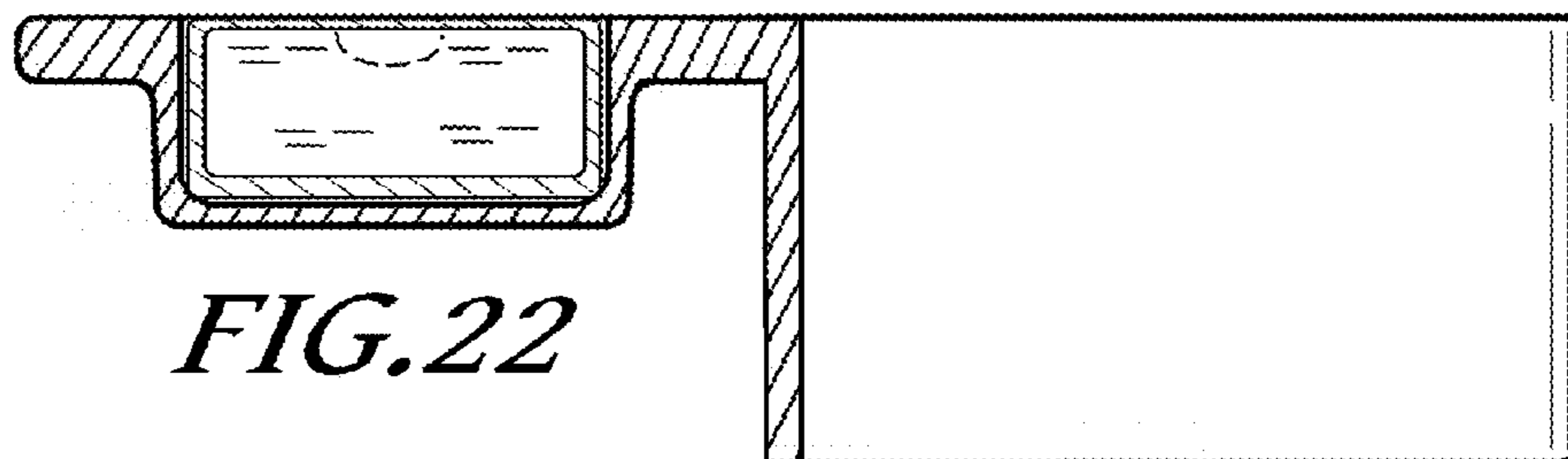
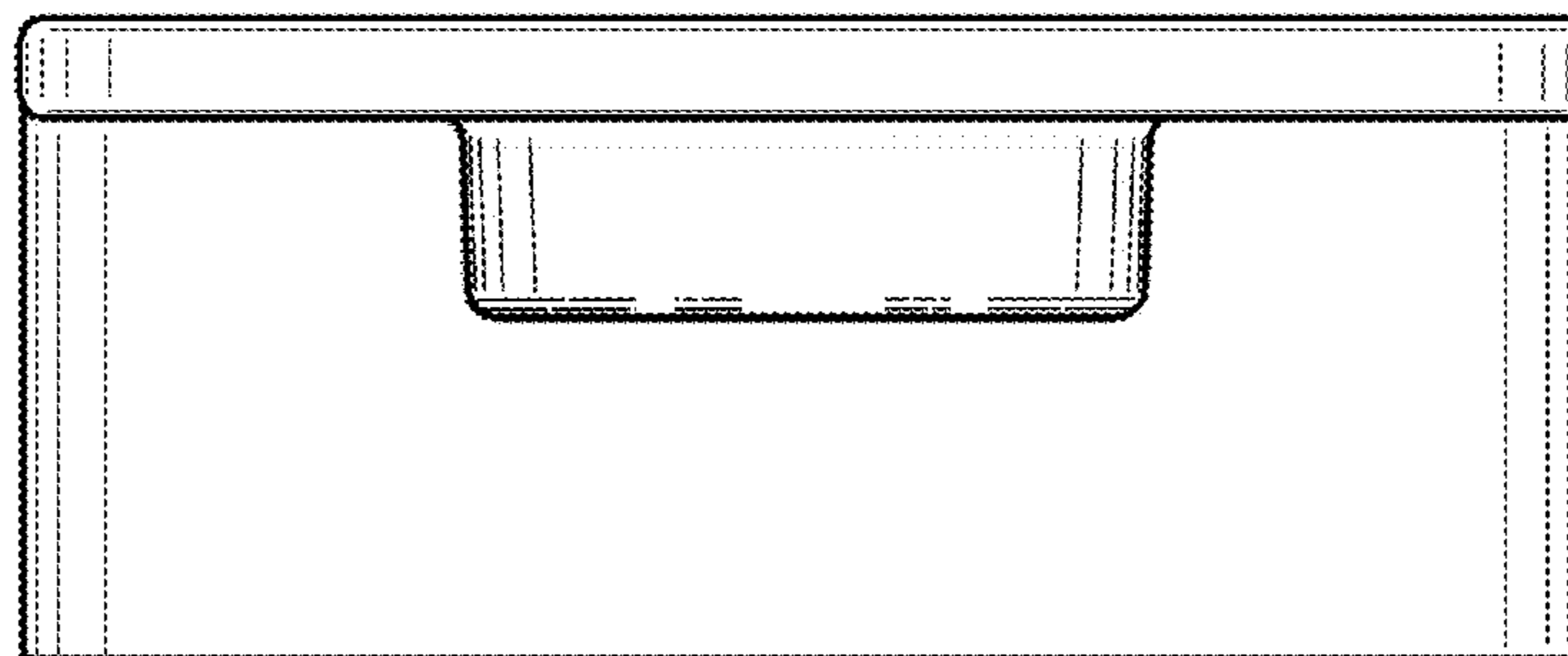
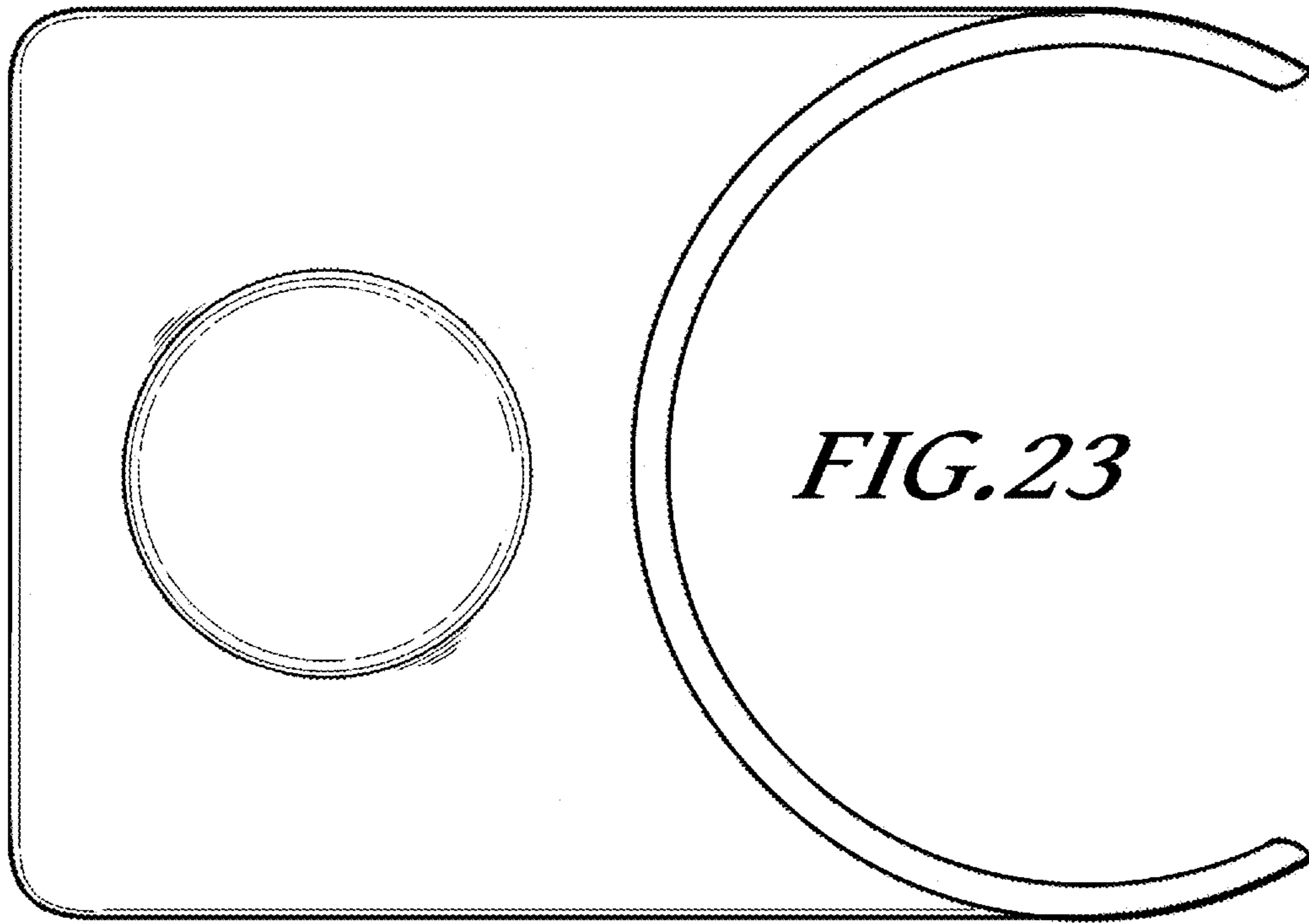


FIG. 22



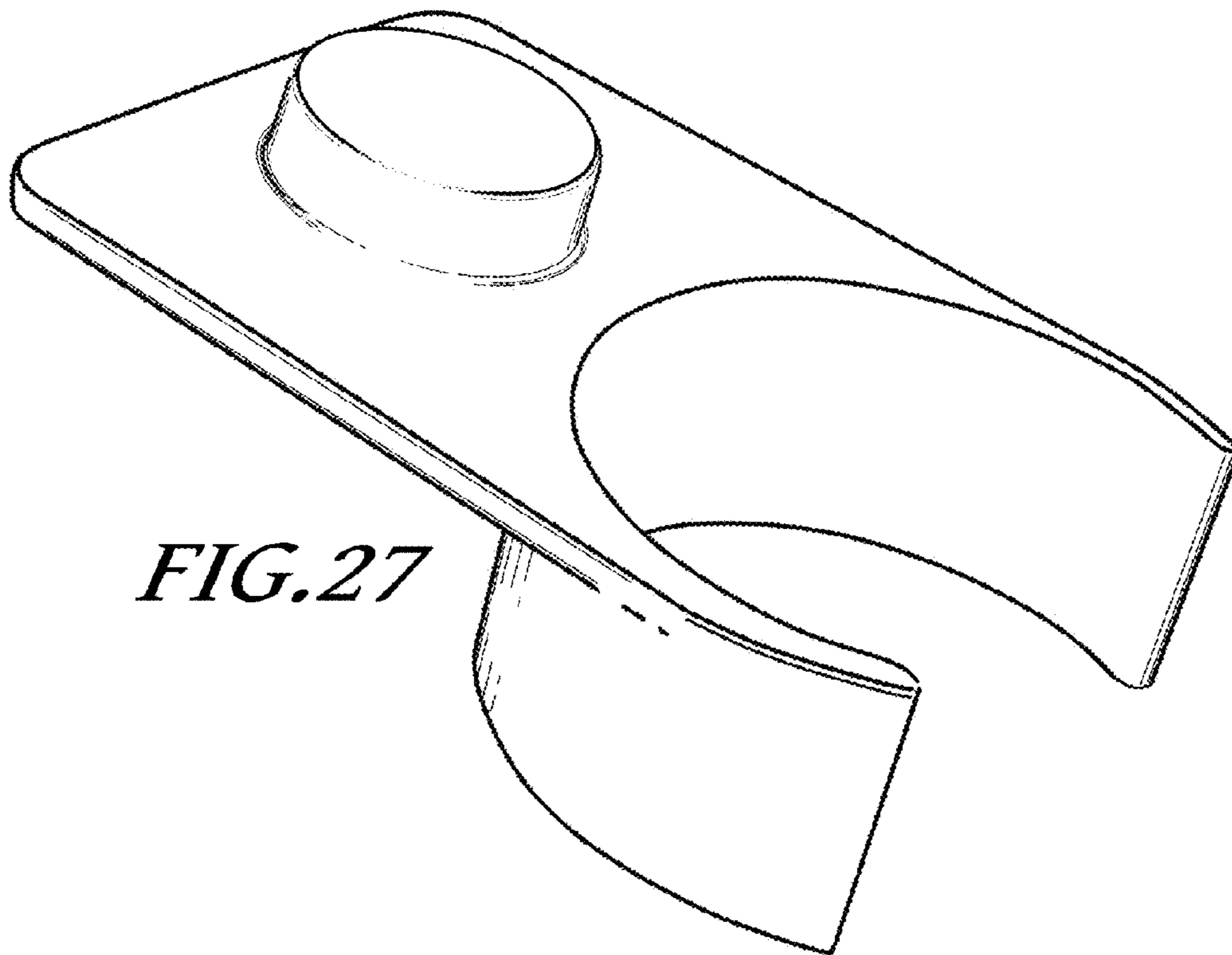
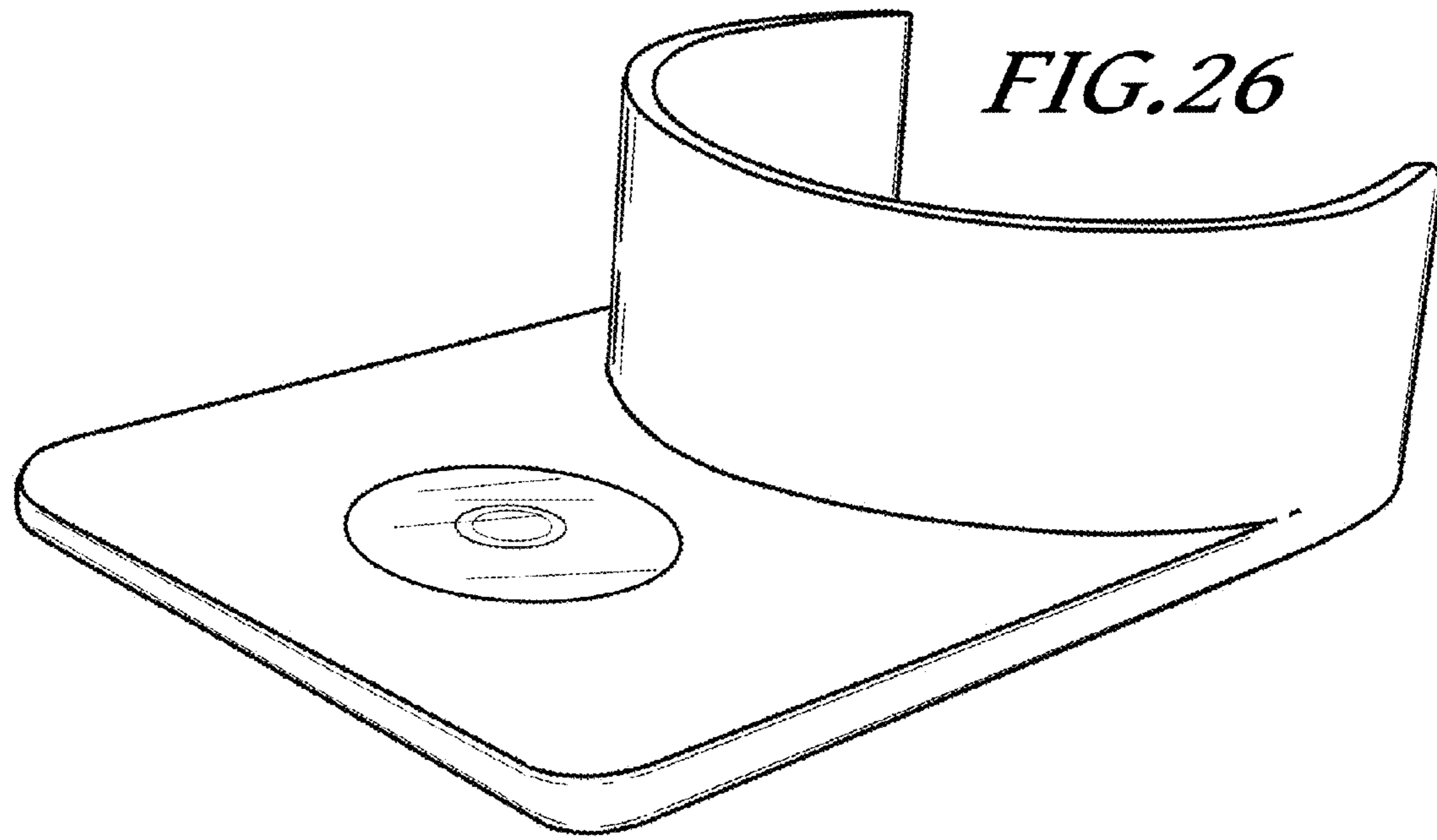
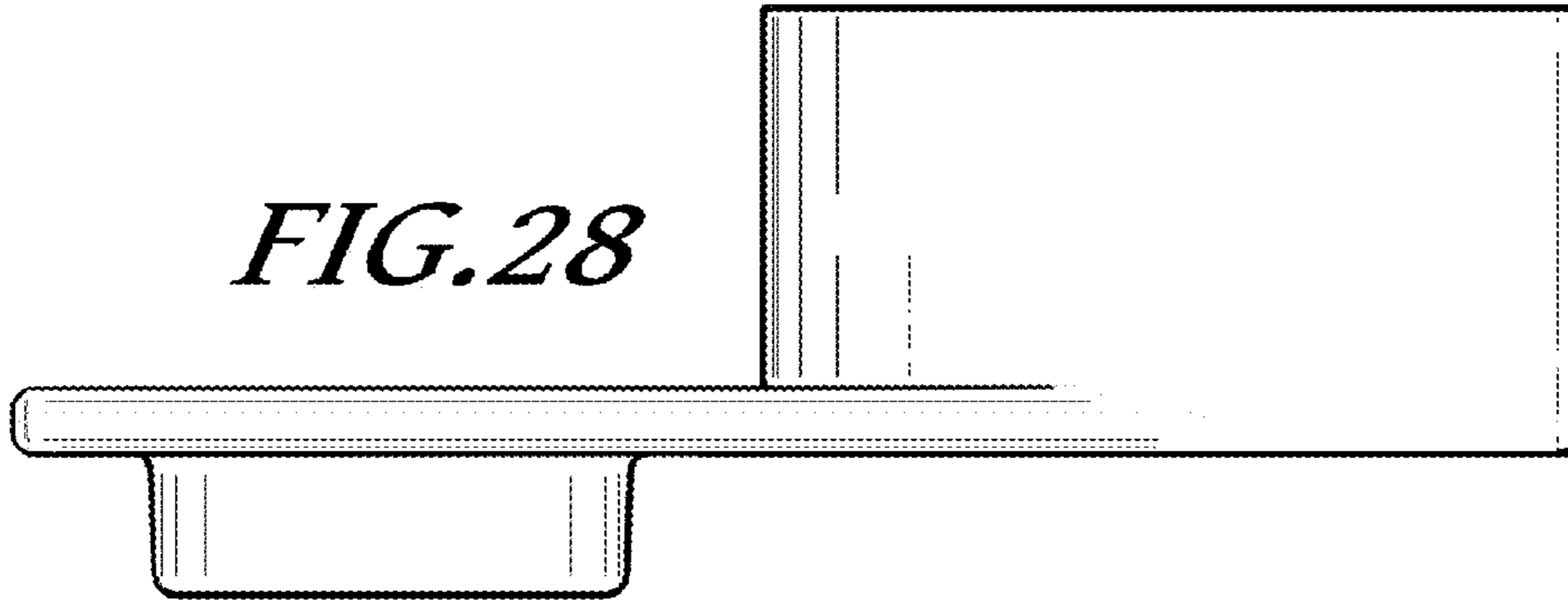
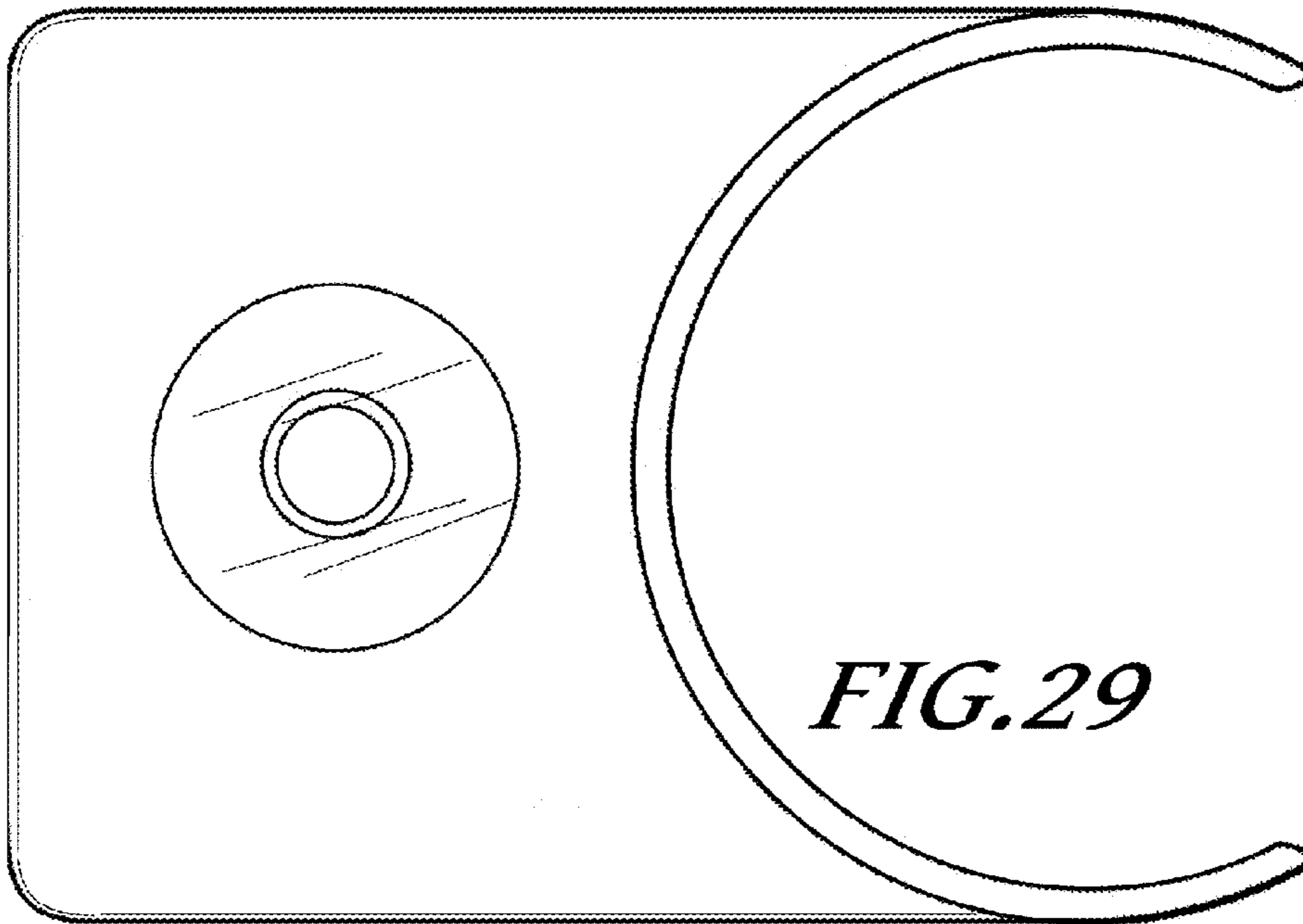
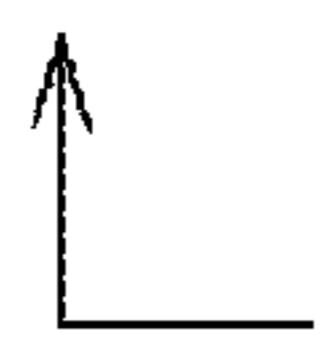


FIG. 28



30

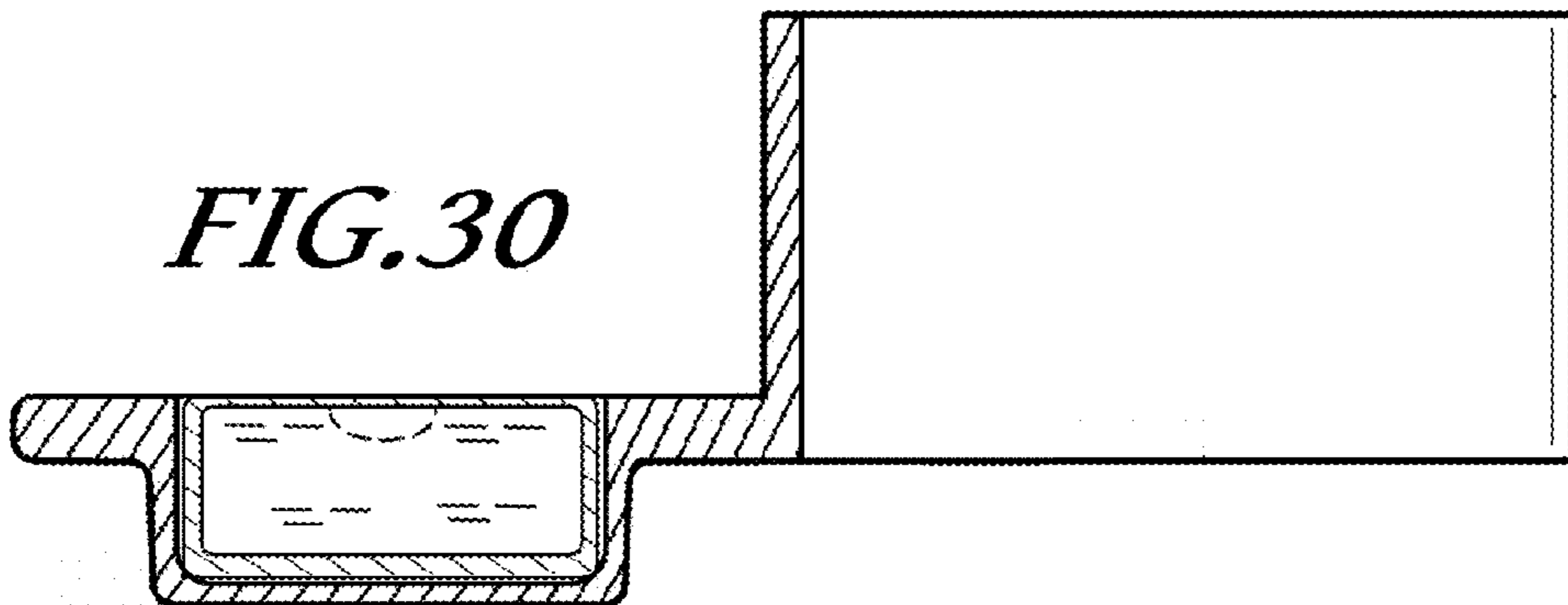


30



FIG. 29

FIG. 30



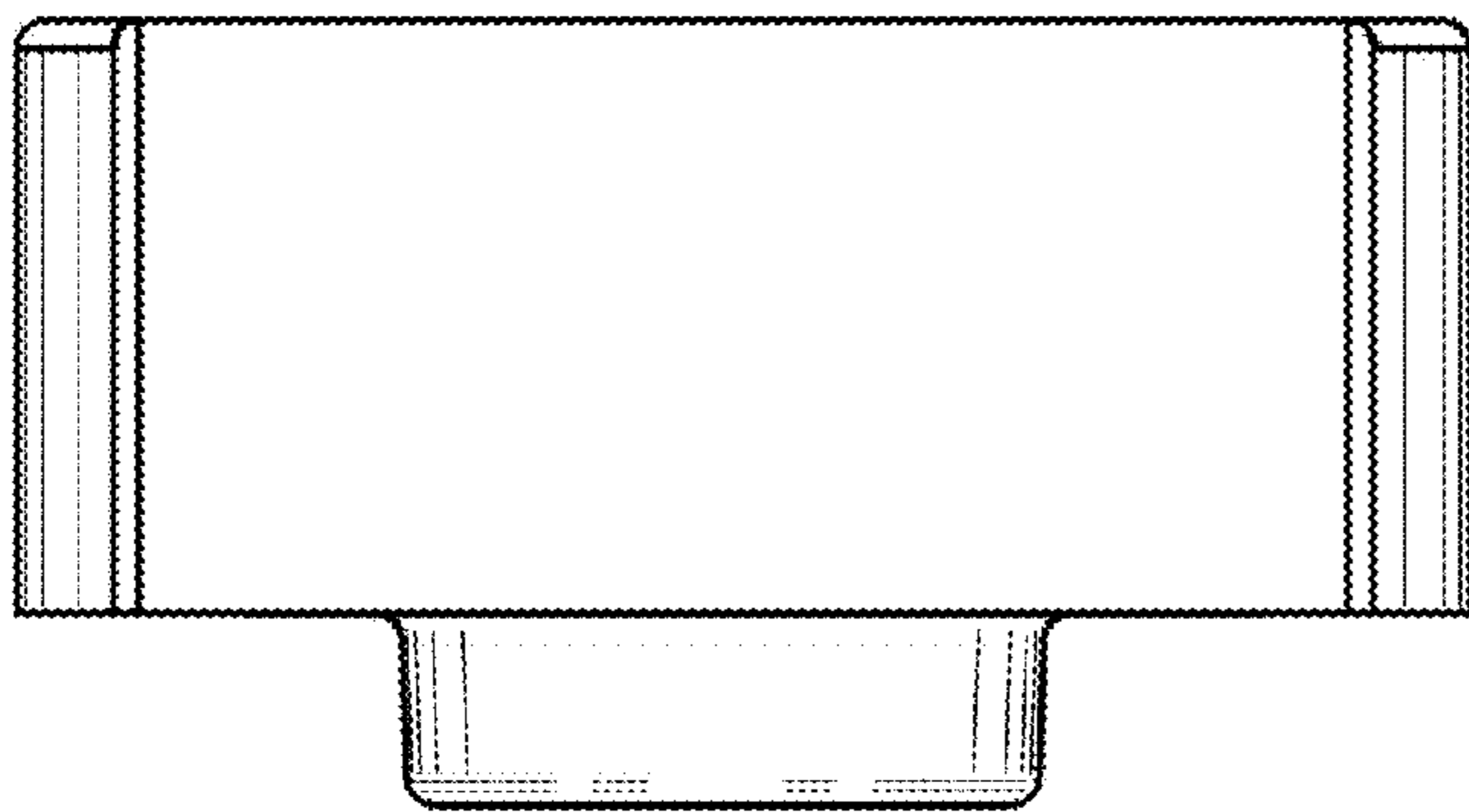
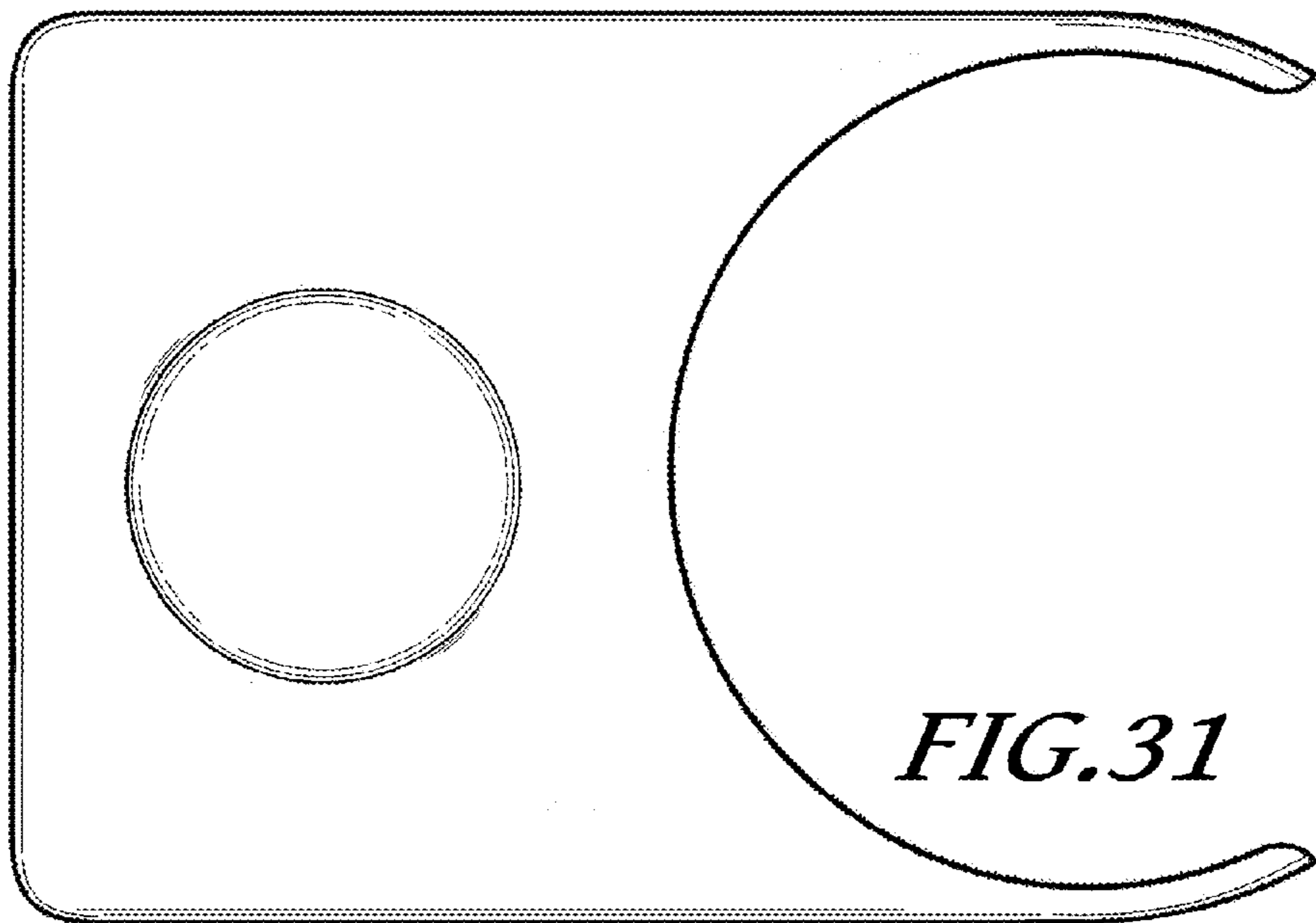


FIG. 33

