



US00D740398S

(12) **United States Design Patent**  
**Bahler**

(10) **Patent No.:** **US D740,398 S**

(45) **Date of Patent:** **\*\* Oct. 6, 2015**

(54) **VALVE**

(56) **References Cited**

(71) Applicant: **Delta Faucet Company**, Indianapolis,  
IN (US)

(72) Inventor: **Jordan Renee Bahler**, Frankfort, IN  
(US)

(73) Assignee: **DELTA FAUCET COMPANY**,  
Indianapolis, IN (US)

(\*\*) Term: **14 Years**

(21) Appl. No.: **29/514,111**

(22) Filed: **Jan. 8, 2015**

(51) **LOC (10) Cl.** ..... **23-01**

(52) **U.S. Cl.**  
USPC ..... **D23/252; D23/242**

(58) **Field of Classification Search**  
USPC ..... D23/238, 241-243, 249, 250, 252  
CPC ..... E03C 1/04; E03C 1/0401; E03C 1/0402;  
E03C 1/0404

See application file for complete search history.

U.S. PATENT DOCUMENTS

D287,164 S *	12/1986	Piesco .....	D23/252
D319,294 S *	8/1991	Kohler et al. ....	D23/254
D322,839 S *	12/1991	Kohler, Jr. ....	D23/254
D592,284 S *	5/2009	Lammel et al. ....	D23/254
D679,781 S *	4/2013	Flowers et al. ....	D23/250

\* cited by examiner

*Primary Examiner* — Robert Delehanty

(74) *Attorney, Agent, or Firm* — Edgar A. Zarins; Nirav D. Parikh

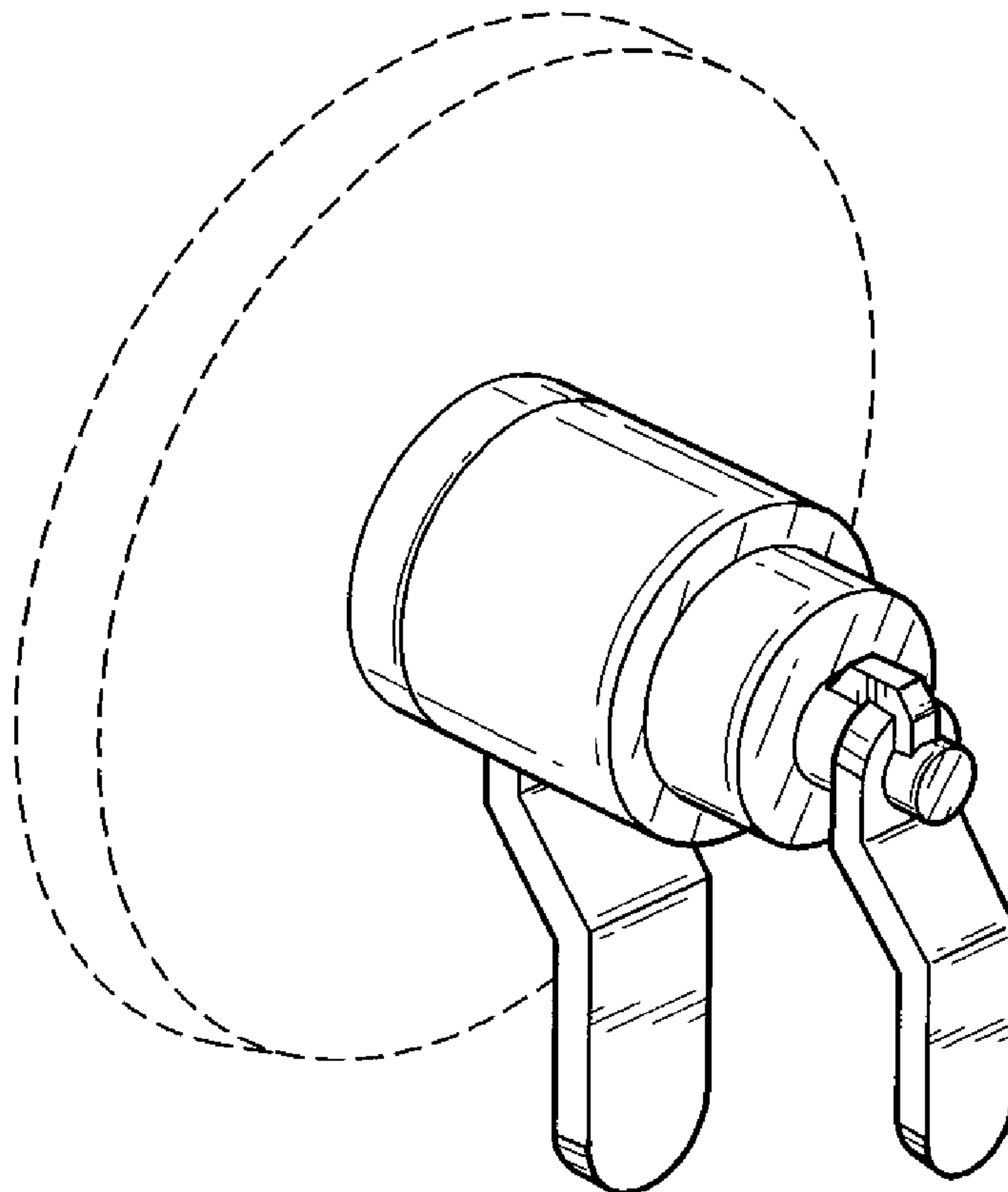
(57) **CLAIM**

The ornamental design for a valve, as shown and described.

**DESCRIPTION**

FIG. 1 is a perspective view of a valve showing my new design;  
FIG. 2 is a front elevational view thereof;  
FIG. 3 is a left side view thereof, the opposite side being a mirror image of the side shown;  
FIG. 4 is a top plan view thereof; and,  
FIG. 5 is a bottom view thereof.  
The broken lines shown in the drawings are included for the purpose of illustrating a portion of the valve that forms no part of the claimed design.

**1 Claim, 2 Drawing Sheets**



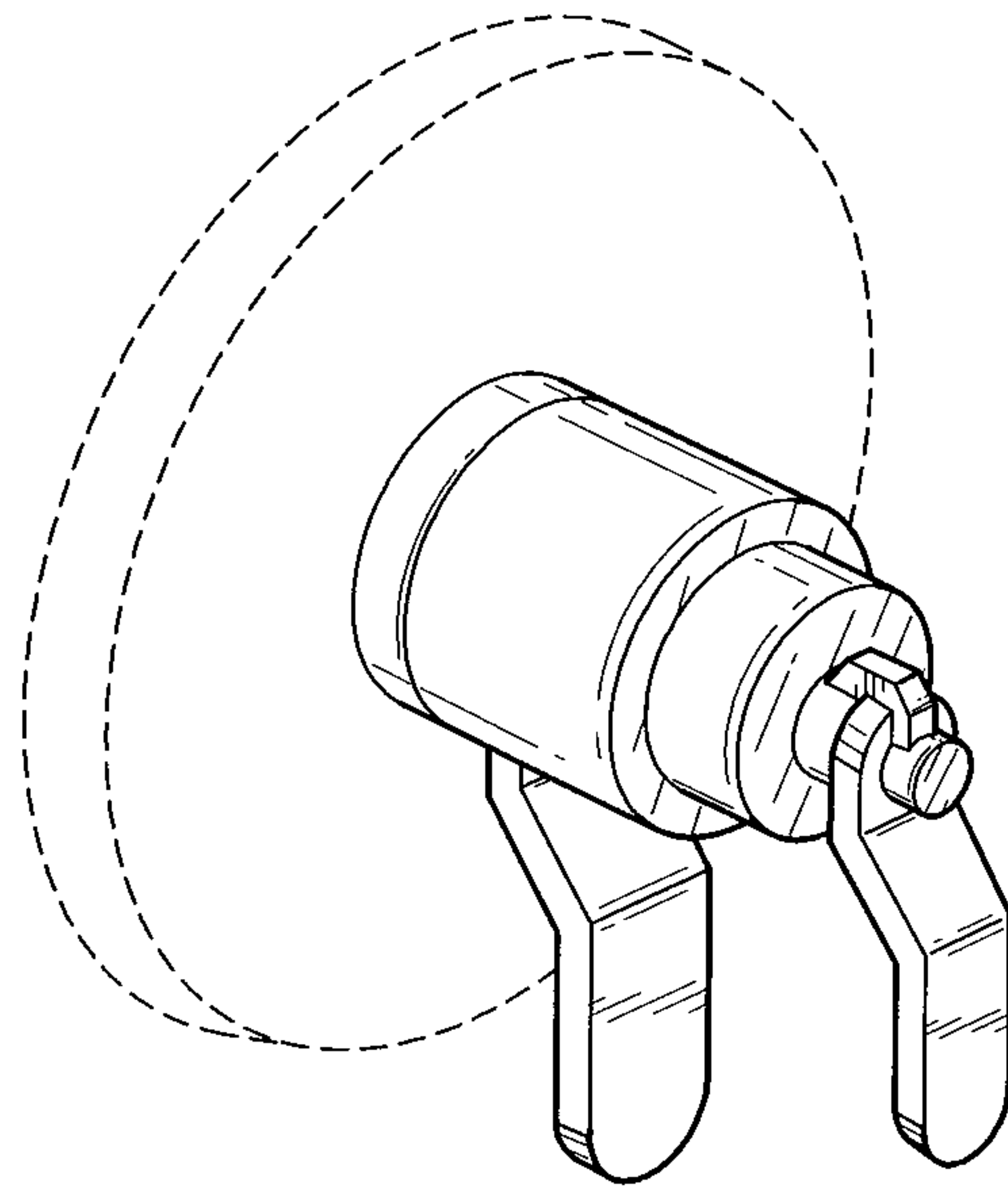


Fig-1

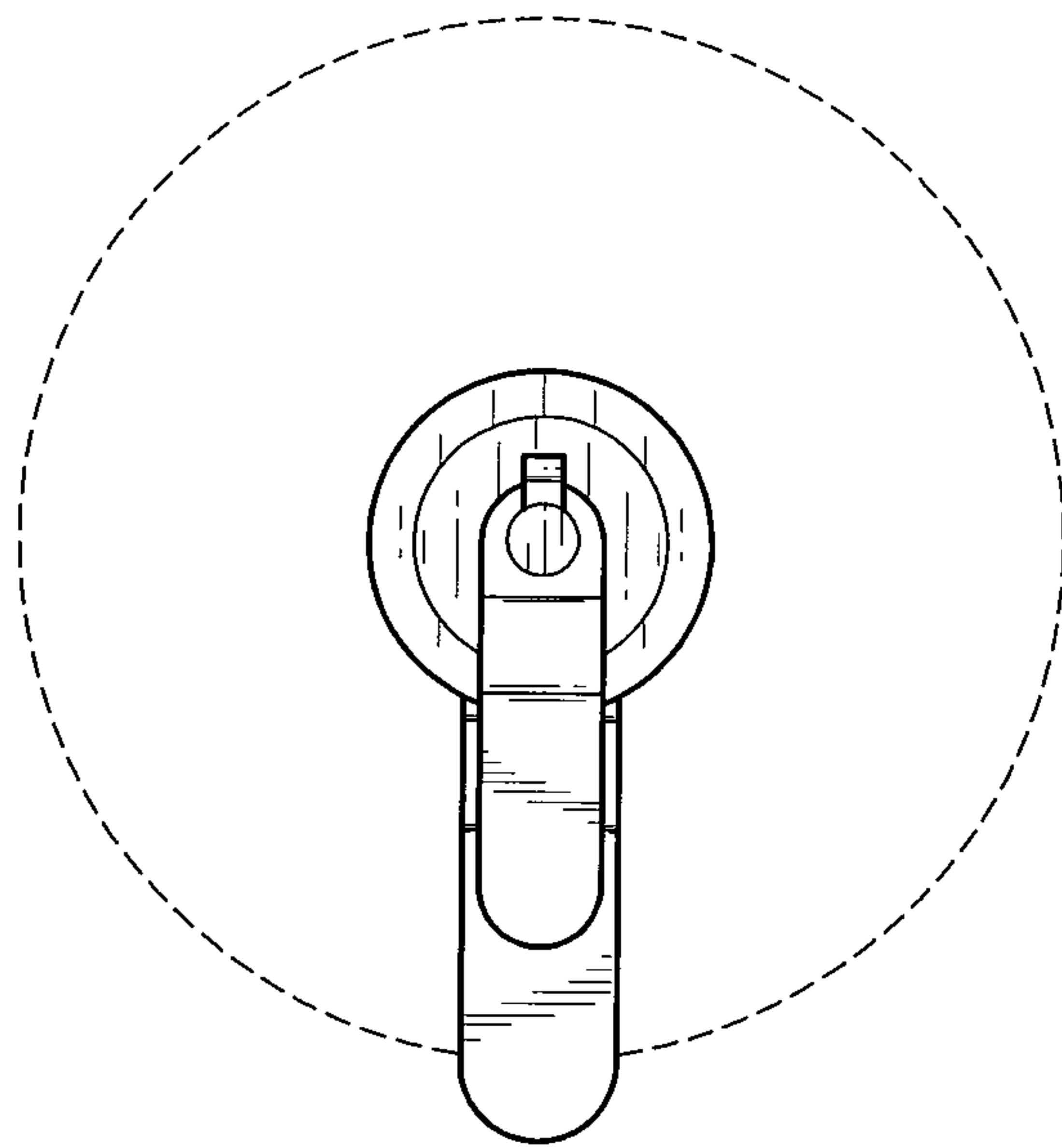
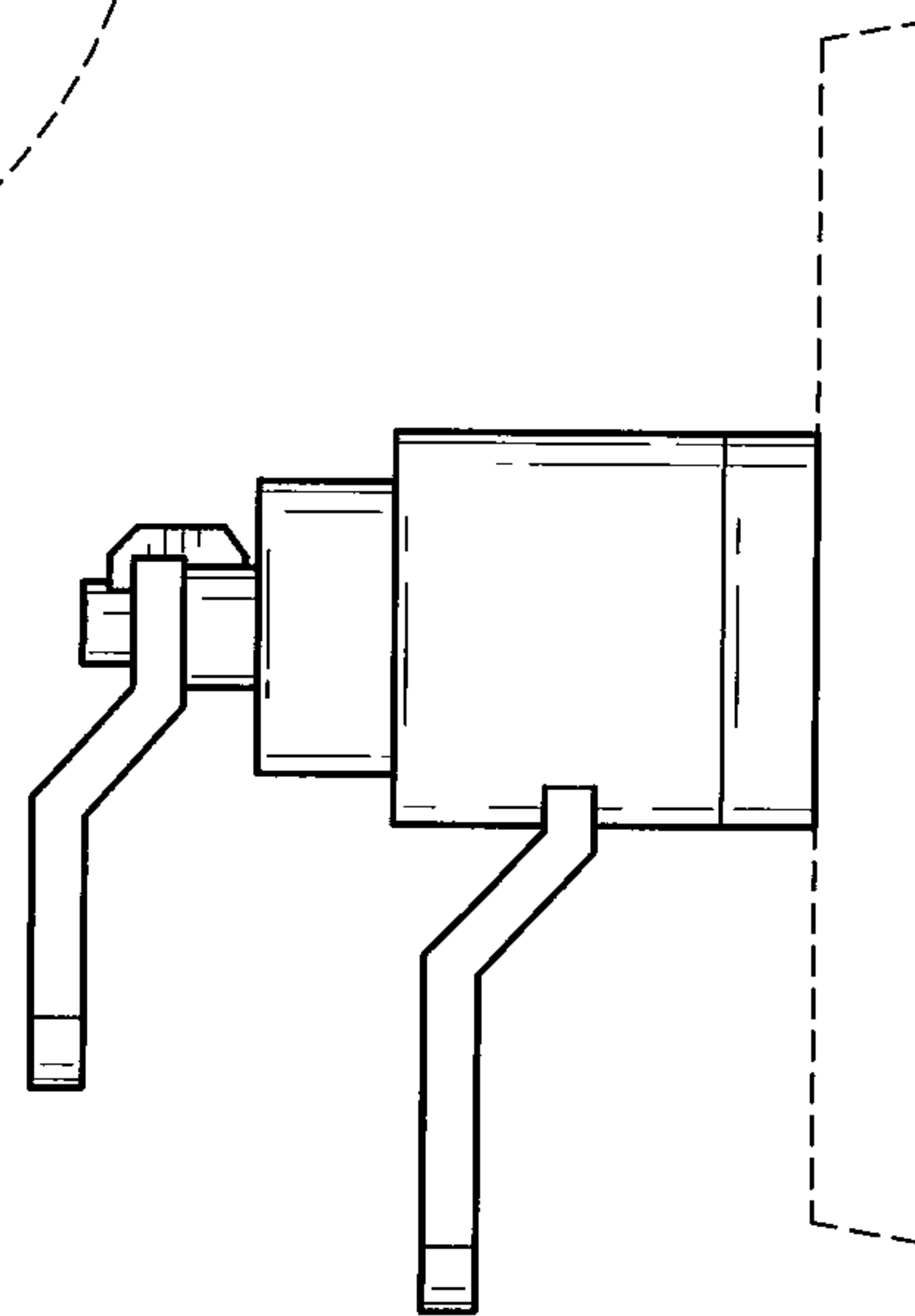


Fig-2

Fig-3



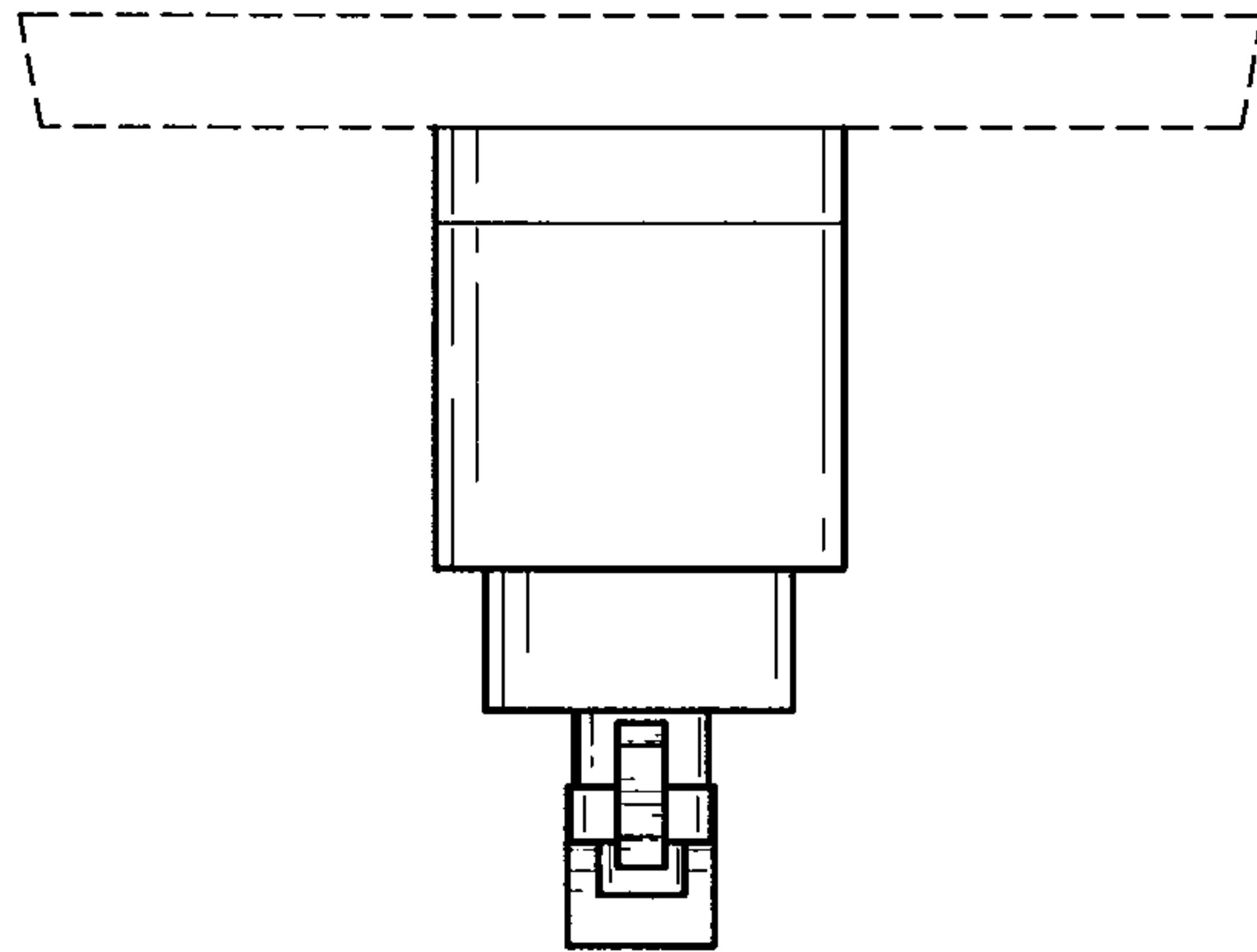


Fig-4

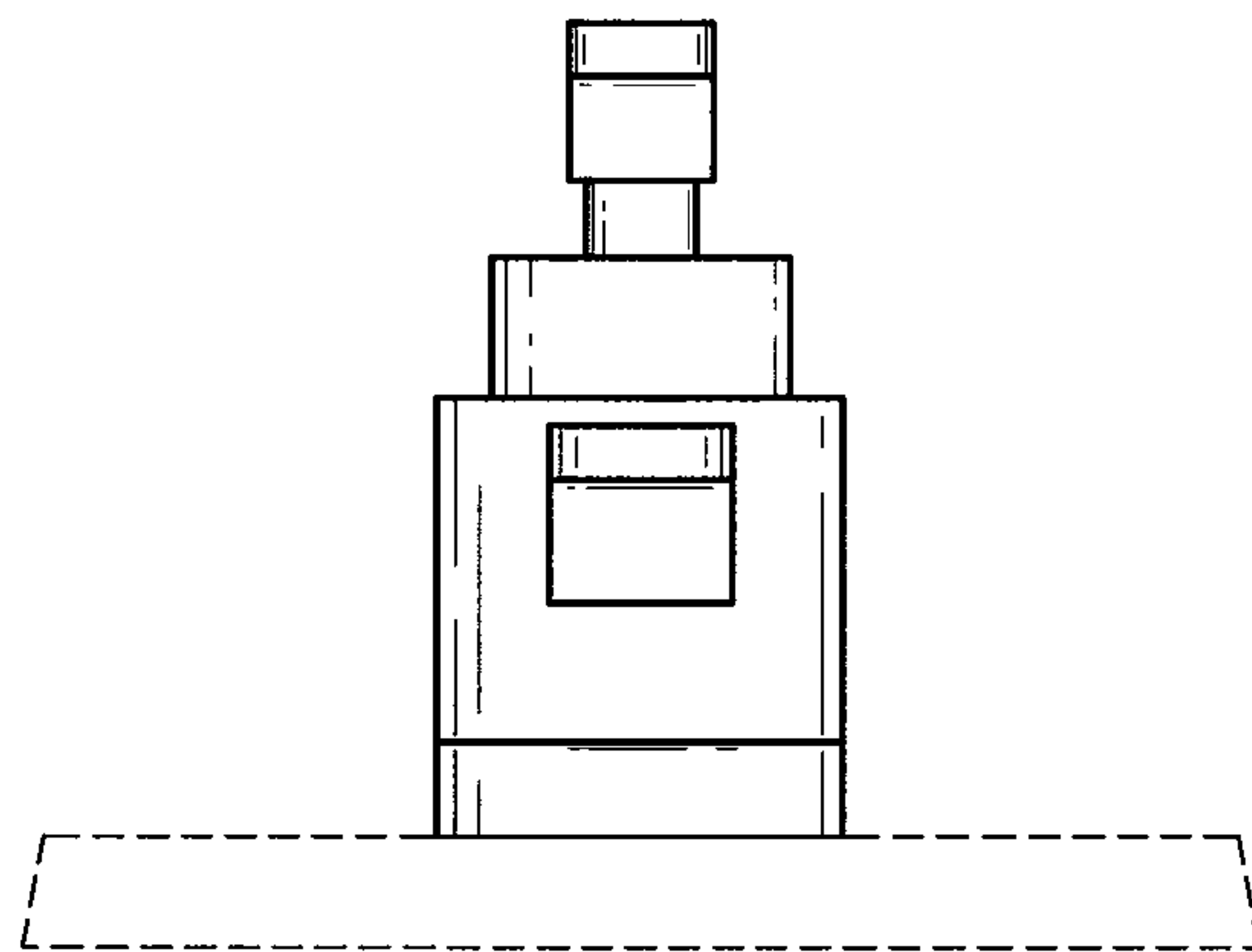


Fig-5