



US00D740393S

(12) **United States Design Patent**
Gehrung

(10) **Patent No.:** **US D740,393 S**

(45) **Date of Patent:** **** Oct. 6, 2015**

(54) **PAINT SPRAY GUN**

(71) Applicant: **SATA GmbH & Co. KG,**
Kornwestheim (DE)

(72) Inventor: **Ralf Gehrung,** Stuttgart (DE)

(73) Assignee: **SATA GMBH & CO. KG,**
Kornwestheim (DE)

(**) Term: **14 Years**

(21) Appl. No.: **29/486,232**

(22) Filed: **Mar. 27, 2014**

(30) **Foreign Application Priority Data**

Sep. 27, 2013 (CN) 2013 3 0462576

(51) **LOC (10) Cl.** **23-01**

(52) **U.S. Cl.**
USPC **D23/226**

(58) **Field of Classification Search**
USPC D23/213, 223, 226; 239/290, 291, 526,
239/690, 691; 361/227, 228
See application file for complete search history.

(56) **References Cited**

U.S. PATENT DOCUMENTS

327,260 A 9/1885 Hart
1,662,496 A 3/1928 Forsgard

(Continued)

FOREIGN PATENT DOCUMENTS

AU 637187 5/1993
CA 521511 2/1956

(Continued)

OTHER PUBLICATIONS

Canadian Office Action dated Nov. 21, 2012 for related application
CA2741703.

(Continued)

Primary Examiner — Robin V Webster

(74) *Attorney, Agent, or Firm* — Paul D. Bianco; Martin
Fleit; Fleit Gibbons Gutman Bongini & Bianco PL

(57) **CLAIM**

The ornamental design for a paint spray gun, as shown and
described.

DESCRIPTION

FIG. 1 is a rear, top, and right-side perspective view of a first
embodiment of a paint spray gun according to the present
invention;

FIG. 2 is a left-side elevational view of the paint spray gun of
FIG. 1;

FIG. 3 is a right-side elevational view of the paint spray gun
of FIG. 1;

FIG. 4 is a front elevational view of the paint spray gun of
FIG. 1;

FIG. 5 is a rear elevational view of the paint spray gun of FIG.
1;

FIG. 6 is a top planar view of the paint spray gun of FIG. 1;

FIG. 7 is a bottom planar view of the paint spray gun of FIG.
1;

FIG. 8 is a rear, top, and left-side perspective view of a second
embodiment of a paint spray gun according to the present
invention;

FIG. 9 is a left-side elevational view of the paint spray gun of
FIG. 8;

FIG. 10 is a right-side elevational view of the paint spray gun
of FIG. 8;

FIG. 11 is a front elevational view of the paint spray gun of
FIG. 8;

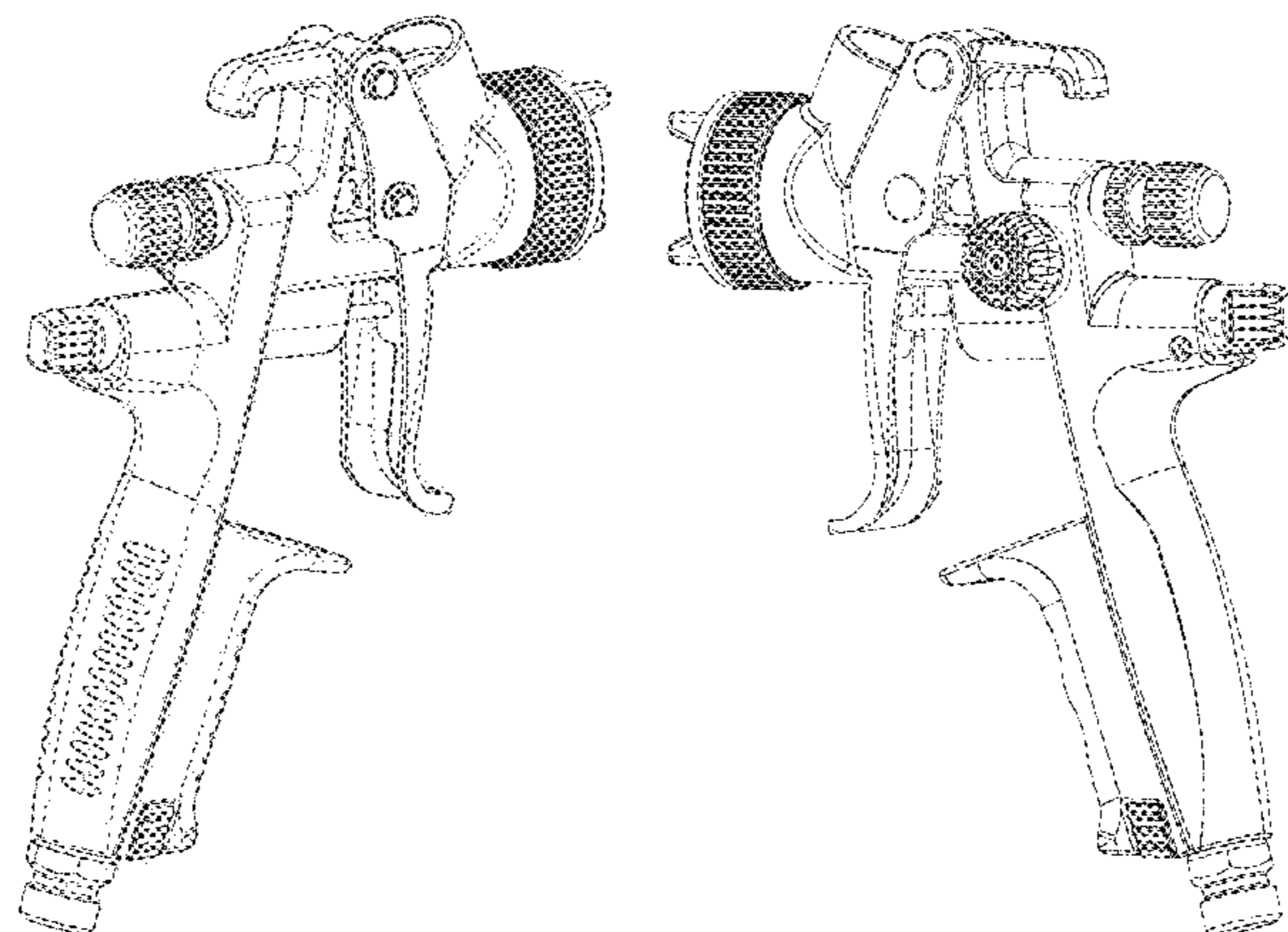
FIG. 12 is a rear elevational view of the paint spray gun of
FIG. 8;

FIG. 13 is a top planar view of the paint spray gun of FIG. 8;

and,
FIG. 14 is a bottom planar view of the paint spray gun of FIG.
8.

The contour lines in the drawings are intended to represent the
approximate three-dimensional contours of the design and
also do not form part of the claimed design.

1 Claim, 12 Drawing Sheets



(56)

References Cited

U.S. PATENT DOCUMENTS

1,703,383 A	2/1929	Birkenmaier	4,887,747 A	12/1989	Ostrowsky et al.
1,703,384 A	2/1929	Birkenmaier	4,901,761 A	2/1990	Taylor
1,711,221 A	4/1929	Blakeslee	4,906,151 A	3/1990	Kubis
1,751,787 A	3/1930	Binks	4,917,300 A	4/1990	Gloviak et al.
2,008,381 A	7/1935	Beeg	4,946,075 A	8/1990	Lundback
2,049,700 A	8/1936	Gustafson	4,964,361 A	10/1990	Aebersold
2,051,210 A	8/1936	Gustafsson	4,967,600 A	11/1990	Keller
2,070,696 A	2/1937	Tracy	4,969,603 A	11/1990	Norman
2,116,036 A	5/1938	Money	4,973,184 A	11/1990	La Salle
2,198,441 A	4/1940	Lobegott	D314,421 S	2/1991	Tajima et al.
2,204,599 A	6/1940	Jenkins	D314,588 S	2/1991	Denham
2,269,057 A	1/1942	Jenkins	4,989,787 A	2/1991	Nikkel et al.
D133,223 S	7/1942	Tammen	5,020,700 A	6/1991	Krzywdziak et al.
2,356,865 A	8/1944	Mason	D318,877 S	8/1991	Miranda et al.
2,416,856 A	3/1947	Thomsen	5,042,840 A	8/1991	Rieple et al.
2,416,923 A	3/1947	Jenkins	D321,597 S	11/1991	Cerny
2,557,593 A	6/1951	Bjorkman	5,071,074 A	12/1991	Lind
2,557,606 A	6/1951	Liedberg	5,074,334 A	12/1991	Onodera
2,559,091 A	7/1951	Reasenberg	5,088,648 A	2/1992	Schmon
2,609,961 A	9/1952	Sapient	5,102,045 A	4/1992	Diana
2,612,899 A	10/1952	Grant	5,119,992 A	6/1992	Grime
2,721,004 A	10/1955	Schultz	5,125,391 A	6/1992	Srivastava et al.
2,844,267 A	7/1958	Petriccione	5,135,124 A	8/1992	Wobser
2,886,252 A	5/1959	Ehrensperger	5,143,102 A	9/1992	Blaul
3,090,530 A	5/1963	Peeps	5,165,605 A	11/1992	Morita et al.
3,159,472 A	12/1964	Revell	5,170,941 A	12/1992	Morita et al.
D200,594 S	3/1965	Sass	5,191,797 A	3/1993	Smith
3,240,398 A	3/1966	Dalton, Jr.	5,228,488 A	7/1993	Fletcher
D204,306 S	4/1966	Hamm	5,232,299 A	8/1993	Hiss
D205,760 S	9/1966	Hocutt et al.	5,236,128 A	8/1993	Morita et al.
D208,903 S	10/1967	Zadron et al.	5,289,974 A	3/1994	Grime et al.
3,344,992 A	10/1967	Norris	5,322,221 A	6/1994	Anderson
3,381,845 A	5/1968	MacDonald	5,325,473 A	6/1994	Monroe et al.
3,420,106 A	1/1969	Keller et al.	5,332,156 A	7/1994	Wheeler
3,435,683 A	4/1969	Keller et al.	5,333,506 A	8/1994	Smith et al.
3,482,781 A	12/1969	Sharpe	5,333,908 A	8/1994	Dorney et al.
D217,928 S	6/1970	Felske	5,344,078 A	9/1994	Fritz et al.
3,524,589 A	8/1970	Pelton, Jr.	5,367,148 A	11/1994	Storch et al.
3,527,372 A	9/1970	Manning	D353,836 S	12/1994	Carvelli et al.
3,622,078 A	11/1971	Gronert	5,381,962 A	1/1995	Teague
3,645,562 A	2/1972	Fandetti et al.	5,435,491 A	7/1995	Sakuma
3,656,493 A	4/1972	Black et al.	5,443,642 A	8/1995	Bienduga
3,714,967 A	2/1973	Zupan et al.	D365,952 S	1/1996	Gagnon et al.
3,771,539 A	11/1973	De Santis	5,503,439 A	4/1996	LaJeunesse et al.
3,840,143 A	10/1974	Davis et al.	5,582,350 A	12/1996	Kosmyna et al.
3,848,807 A	11/1974	Partida	5,584,899 A	12/1996	Shorts
3,870,223 A	3/1975	Wyant	5,588,562 A	12/1996	Sander et al.
4,000,915 A	1/1977	Strom	5,592,597 A	1/1997	Kiss
D245,048 S	7/1977	Pool	5,609,302 A	3/1997	Smith
D252,097 S	6/1979	Probst et al.	5,613,637 A	3/1997	Schmon
4,210,263 A	7/1980	Bos	D380,301 S	7/1997	Kogutt
4,273,293 A	6/1981	Hastings	5,655,714 A	8/1997	Kieffer et al.
4,411,387 A	10/1983	Stern et al.	5,662,444 A	9/1997	Schmidt, Jr.
4,478,370 A	10/1984	Hastings	5,695,125 A	12/1997	Kumar
D276,472 S	11/1984	Harrison	5,704,381 A	1/1998	Millan et al.
D278,543 S	4/1985	Gintz	5,718,767 A	2/1998	Crum et al.
4,545,536 A	10/1985	Avidon	D391,403 S	3/1998	Josephs
4,562,965 A	1/1986	Ihmels et al.	RE35,769 E	4/1998	Grime et al.
4,580,035 A	4/1986	Luscher	5,762,228 A	6/1998	Morgan et al.
4,585,168 A	4/1986	Even et al.	5,803,360 A	9/1998	Spitznagel
4,614,300 A	9/1986	Falcoff	5,816,501 A	10/1998	LoPresti et al.
4,643,330 A	2/1987	Kennedy	5,836,517 A	11/1998	Burns et al.
4,653,661 A	3/1987	Buchner et al.	D402,820 S	12/1998	Morison et al.
4,667,878 A	5/1987	Behr	5,843,515 A	12/1998	Crum et al.
4,713,257 A	12/1987	Luttermoeller	5,853,014 A	12/1998	Rosenauer
D293,950 S	1/1988	Ogden et al.	D405,503 S *	2/1999	Endo D23/226
4,730,753 A	3/1988	Grime	5,874,680 A	2/1999	Moore
D298,372 S	11/1988	Taylor, Jr.	5,884,006 A	3/1999	Frohlich et al.
4,784,184 A	11/1988	Gates	D409,719 S	5/1999	Kaneko
4,806,736 A	2/1989	Schirico	5,951,190 A	9/1999	Wilson
4,826,539 A	5/1989	Harpold	5,951,296 A	9/1999	Klein
4,832,232 A	5/1989	Broccoli	5,954,268 A	9/1999	Joshi et al.
4,863,781 A	9/1989	Kronzer	D414,636 S	10/1999	Wiese
4,877,144 A	10/1989	Thanisch	5,979,797 A	11/1999	Castellano
D305,057 S	12/1989	Morgan	6,006,930 A	12/1999	Dreyer et al.
			6,010,082 A	1/2000	Peterson
			6,017,394 A	1/2000	Crum et al.
			6,036,109 A	3/2000	DeYoung
			6,039,218 A	3/2000	Beck

(56)

References Cited

U.S. PATENT DOCUMENTS

6,053,429	A	4/2000	Chang	D541,088	S	4/2007	Nesci	
6,089,471	A	7/2000	Scholl	7,201,336	B2	4/2007	Blette et al.	
6,089,607	A	7/2000	Keeney et al.	7,216,813	B2	5/2007	Rogers	
6,091,053	A	7/2000	Aonuma	D545,943	S	7/2007	Rodgers et al.	
6,092,740	A	7/2000	Liu	7,246,713	B2	7/2007	King	
6,132,511	A	10/2000	Crum et al.	7,249,519	B2	7/2007	Rogers	
D435,379	S	12/2000	Nguyen	D548,816	S *	8/2007	Schmon et al.	D23/226
6,250,567	B1	6/2001	Lewis et al.	7,255,293	B2	8/2007	Dodd	
D448,451	S	9/2001	Turnbull et al.	7,264,131	B2	9/2007	Tsutsumi et al.	
6,308,991	B1	10/2001	Royer	D552,213	S	10/2007	Schmon	
D457,599	S	5/2002	Karwoski et al.	D552,715	S *	10/2007	Schmon et al.	D23/226
D459,432	S	6/2002	Schmon	D554,703	S	11/2007	Josephson	
D459,433	S	6/2002	Schmon	D563,505	S	3/2008	Schmon	
6,402,058	B2	6/2002	Kaneko et al.	7,374,111	B2	5/2008	Joseph et al.	
6,431,466	B1	8/2002	Kitajima	D571,463	S	6/2008	Chesnin	
6,435,426	B1	8/2002	Copp, Jr.	7,384,004	B2	6/2008	Rogers	
6,442,276	B1	8/2002	Doljack	RE40,433	E	7/2008	Schmon	
6,494,387	B1	12/2002	Kaneko	D573,227	S	7/2008	Mirazita et al.	
6,536,684	B1	3/2003	Wei	D575,374	S	8/2008	Huang	
6,536,687	B1	3/2003	Navis et al.	7,410,106	B2	8/2008	Escoto, Jr. et al.	
D472,730	S	4/2003	Sparkowski	7,416,140	B2	8/2008	Camilleri et al.	
6,540,114	B1	4/2003	Popovich et al.	7,422,164	B2	9/2008	Matsumoto	
6,543,632	B1	4/2003	McIntyre et al.	D579,213	S	10/2008	Aipa	
6,547,884	B1	4/2003	Crum et al.	D581,107	S	11/2008	Schmon	
6,553,712	B1	4/2003	Majerowski et al.	D581,483	S	11/2008	Bass et al.	
6,554,009	B1	4/2003	Beijbom et al.	D583,013	S *	12/2008	Wang	D23/226
6,585,173	B2	7/2003	Schmon et al.	7,458,612	B1	12/2008	Bennett	
6,595,441	B2	7/2003	Petrie et al.	7,533,678	B2	5/2009	Rosa	
6,626,382	B1	9/2003	Liu	7,540,434	B2	6/2009	Gohring et al.	
6,626,383	B1	9/2003	Campbell	7,542,032	B2	6/2009	Kruse	
6,647,997	B2	11/2003	Mohn	7,568,638	B2	8/2009	Gehring	
6,661,438	B1	12/2003	Shiraishi et al.	D604,394	S	11/2009	Wang	
D485,685	S	1/2004	Zupkofska et al.	7,614,571	B2	11/2009	Camilleri et al.	
6,675,845	B2	1/2004	Volpenheim et al.	D607,086	S	12/2009	Kosaka	
6,692,118	B2	2/2004	Michele et al.	7,624,869	B2	12/2009	Primer	
6,712,292	B1	3/2004	Gosis et al.	D607,972	S *	1/2010	Wang	D23/226
6,717,584	B2	4/2004	Kulczycka	D608,858	S	1/2010	Baltz et al.	
6,732,751	B2	5/2004	Chiang	D614,731	S *	4/2010	Wang	D23/226
6,763,964	B1	7/2004	Hurlbut et al.	7,694,896	B2	4/2010	Turnbull et al.	
6,766,763	B2	7/2004	Crum et al.	D615,586	S	5/2010	Kudimi	
6,786,345	B2	9/2004	Richards	D616,022	S	5/2010	Kudimi	
6,796,514	B1	9/2004	Schwartz	D616,527	S	5/2010	Anderson et al.	
6,801,211	B2	10/2004	Forsline et al.	7,765,876	B1	8/2010	Chen	
6,820,824	B1	11/2004	Joseph et al.	D624,668	S	9/2010	Noppe	
6,843,390	B1	1/2005	Bristor	7,810,744	B2	10/2010	Schmon et al.	
6,845,924	B2	1/2005	Schmon	7,819,341	B2	10/2010	Schmon et al.	
6,855,173	B2	2/2005	Ehrnsperger et al.	D627,039	S	11/2010	Yu	
6,863,310	B1	3/2005	Petkovsek	D627,432	S	11/2010	Escoto et al.	
6,863,920	B2	3/2005	Crum et al.	7,823,806	B2	11/2010	Schmon	
6,874,656	B2	4/2005	Rohr et al.	D629,623	S	12/2010	Lampe	
6,874,664	B1	4/2005	Montgomery	7,913,938	B2	3/2011	Cooper	
6,877,677	B2	4/2005	Schmon et al.	7,922,107	B2	4/2011	Fox	
6,929,019	B2	8/2005	Weinmann et al.	D637,269	S	5/2011	Wang	
6,945,429	B2	9/2005	Gosis et al.	D638,121	S	5/2011	Villasana	
6,955,180	B2	10/2005	Kocherlakota et al.	D639,863	S	6/2011	Langan	
6,962,432	B2	11/2005	Hofeldt	D641,067	S	7/2011	Wang	
6,963,331	B1	11/2005	Kobayashi et al.	D644,716	S *	9/2011	Gehring	D23/226
7,017,838	B2	3/2006	Schmon	D644,803	S	9/2011	Schmon	
7,018,154	B2	3/2006	Schmon	D645,094	S	9/2011	Langan	
D519,687	S	4/2006	Zahav	8,042,402	B2	10/2011	Brown et al.	
7,036,752	B1	5/2006	Hsiang	D649,196	S	11/2011	Langan	
7,083,119	B2	8/2006	Bouic et al.	8,052,071	B2	11/2011	Kruse	
7,090,148	B2	8/2006	Petrie et al.	D655,347	S	3/2012	Gehring	
7,097,118	B1	8/2006	Huang	8,127,963	B2	3/2012	Gerson et al.	
D528,192	S	9/2006	Nicholson	D657,276	S	4/2012	Brose	
7,106,343	B1	9/2006	Hickman	D661,742	S	6/2012	Clark	
7,165,732	B2	1/2007	Kosmyrna et al.	D663,960	S	7/2012	Jeronimo	
7,172,139	B2	2/2007	Bouic et al.	8,240,579	B1	8/2012	Bennett	
7,175,110	B2	2/2007	Vicentini	8,297,536	B2	10/2012	Ruda	
7,182,213	B2	2/2007	King	D670,085	S	11/2012	Brookman et al.	
D538,050	S	3/2007	Tardif	D671,988	S	12/2012	Leipold	
D538,493	S	3/2007	Zimmerle et al.	D672,012	S *	12/2012	Brose et al.	D23/226
D538,886	S	3/2007	Huang	D674,880	S	1/2013	Schmon	
7,194,829	B2	3/2007	Boire et al.	8,352,744	B2	1/2013	Kruse	
D541,053	S	4/2007	Sanders	D681,162	S	4/2013	Kruse	
				8,444,067	B2	5/2013	Schmon et al.	
				8,454,759	B2	6/2013	Selsvik	
				8,481,124	B2	7/2013	Nolte et al.	
				D689,590	S	9/2013	Brose	

(56)

References Cited

U.S. PATENT DOCUMENTS

D689,593 S * 9/2013 Schmon et al. D23/226
 D690,799 S 10/2013 Maier
 D692,530 S 10/2013 Gehrung
 8,616,434 B2 12/2013 Wilen
 8,626,674 B2 1/2014 Whitehouse
 8,642,131 B2 2/2014 Nolte et al.
 8,757,182 B2 6/2014 Schmon
 8,807,460 B2 8/2014 Charpie et al.
 8,857,732 B2 10/2014 Brose
 D720,015 S 12/2014 Kruse
 D721,785 S 1/2015 Gehrung
 8,925,836 B2 1/2015 Dettlaff
 D733,369 S 6/2015 Tschan
 D733,453 S 7/2015 Tschan
 D734,571 S 7/2015 Tschan
 9,073,068 B2 7/2015 Kraye et al.
 2001/0004996 A1 6/2001 Schmon
 2001/0040192 A1 11/2001 Kaneko et al.
 2002/0134861 A1 9/2002 Petrie et al.
 2002/0148501 A1 10/2002 Shieh
 2002/0170978 A1 11/2002 Mohn
 2003/0025000 A1 2/2003 Schmon et al.
 2003/0066218 A1 4/2003 Schweikert
 2003/0121476 A1 7/2003 McIntyre et al.
 2003/0127046 A1 7/2003 Zehner et al.
 2003/0164408 A1 9/2003 Schmon
 2003/0177979 A1 9/2003 Crum et al.
 2003/0189105 A1 10/2003 Schmon
 2003/0209568 A1 11/2003 Douglas et al.
 2003/0213857 A1 11/2003 Schmon et al.
 2003/0218596 A1 11/2003 Eschler
 2003/0230636 A1 12/2003 Rogers
 2004/0046051 A1 3/2004 Santa Cruz et al.
 2004/0050432 A1 3/2004 Breda
 2004/0104194 A1 6/2004 Dennison
 2004/0129738 A1 7/2004 Stukas
 2004/0140373 A1 7/2004 Joseph et al.
 2004/0155063 A1 8/2004 Hofeldt
 2004/0191406 A1 9/2004 Crum et al.
 2004/0217201 A1 11/2004 Ruda
 2004/0233223 A1 11/2004 Schkolne et al.
 2004/0245208 A1 12/2004 Dennison
 2005/0056613 A1 3/2005 King
 2005/0082249 A1 4/2005 King
 2005/0127201 A1 6/2005 Matsumoto
 2005/0145723 A1 7/2005 Blette et al.
 2005/0145724 A1 7/2005 Blette et al.
 2005/0178854 A1 8/2005 Dodd
 2005/0220943 A1 10/2005 Abrams et al.
 2005/0248148 A1 11/2005 Schenck et al.
 2005/0252993 A1 11/2005 Rogers
 2005/0252994 A1 11/2005 Rogers
 2005/0268949 A1 12/2005 Rosa
 2006/0000927 A1 1/2006 Ruda
 2006/0007123 A1 1/2006 Wilson et al.
 2006/0048803 A1 3/2006 Jessup et al.
 2006/0081060 A1 4/2006 Forster
 2006/0113409 A1 6/2006 Camilleri et al.
 2006/0171771 A1 8/2006 Kruse
 2006/0192377 A1 8/2006 Bauer et al.
 2006/0196891 A1 9/2006 Gerson et al.
 2007/0029788 A1 2/2007 Adler
 2007/0055883 A1 3/2007 Kruse
 2007/0131795 A1 6/2007 Abbate et al.
 2007/0158349 A1 7/2007 Schmon et al.
 2007/0205305 A1 9/2007 Vagedes
 2007/0221754 A1 9/2007 Gehrung
 2007/0252378 A1 11/2007 Chambers
 2008/0011879 A1 1/2008 Gerson et al.
 2008/0019789 A1 1/2008 Dunaway et al.
 2008/0029619 A1 2/2008 Gohring et al.
 2008/0128533 A1 6/2008 Gehrung
 2008/0179763 A1 7/2008 Schmon et al.
 2008/0251977 A1 10/2008 Naruse et al.
 2008/0264892 A1 10/2008 Nozawa

2008/0272213 A1 11/2008 Ting
 2008/0296410 A1 12/2008 Carey et al.
 2009/0014557 A1 1/2009 Schmon et al.
 2009/0026290 A1 1/2009 Fox
 2009/0045623 A1 2/2009 Schmon
 2009/0072050 A1 3/2009 Ruda
 2009/0078789 A1 3/2009 Kruse
 2009/0078790 A1 3/2009 Camilleri et al.
 2009/0143745 A1 6/2009 Langan et al.
 2009/0183516 A1 7/2009 Appler et al.
 2009/0235864 A1 9/2009 Khoury et al.
 2009/0266915 A1 10/2009 Fedorov
 2010/0021646 A1 1/2010 Nolte et al.
 2010/0059533 A1 3/2010 Unger et al.
 2010/0084493 A1 4/2010 Troudt
 2010/0108783 A1 5/2010 Joseph et al.
 2010/0126541 A1 5/2010 Schmon
 2010/0206963 A1 8/2010 Huang
 2011/0024524 A1 2/2011 Fox
 2011/0121103 A1 5/2011 Carleton et al.
 2011/0125607 A1 5/2011 Wilen
 2011/0168811 A1 7/2011 Fox et al.
 2011/0174901 A1 7/2011 Dettlaff et al.
 2012/0012671 A1 1/2012 Brose et al.
 2012/0097762 A1 4/2012 Gehrung et al.
 2012/0132550 A1 5/2012 Gerson et al.
 2012/0160935 A1 6/2012 Kraye et al.
 2013/0056556 A1 3/2013 Schmon et al.
 2013/0074864 A1 3/2013 Nuzzo et al.
 2013/0266734 A1 10/2013 Nolte et al.
 2013/0320110 A1 12/2013 Brose et al.
 2014/0048627 A1 2/2014 Schmon et al.
 2014/0059905 A1 3/2014 Raming
 2014/0145003 A1 5/2014 Schmon et al.
 2014/0305962 A1 10/2014 Tschan
 2015/0165463 A1 6/2015 Gehrung

FOREIGN PATENT DOCUMENTS

CA 2277096 7/1998
 CA 2445183 10/2002
 CH 203 668 6/1939
 CH 542104 A 9/1973
 CH 676208 12/1990
 CN 1902002 1/2007
 CN 1909971 2/2007
 CN 200954482 10/2007
 CN 101125316 2/2008
 DE 460381 5/1928
 DE 1425890 11/1968
 DE 2950341 7/1980
 DE 3016419 11/1981
 DE 8024829.9 9/1982
 DE 34 02 097 8/1985
 DE 3402945 A1 8/1985
 DE 3517122 5/1986
 DE 3505618 8/1986
 DE 3526819 2/1987
 DE 3016419 C2 8/1987
 DE 8702559 10/1987
 DE 3708472 A1 10/1988
 DE 8902223 5/1989
 DE 8905681 11/1989
 DE G 90 01 265 5/1990
 DE 3906219 8/1990
 DE 4302911 8/1993
 DE 4230535 3/1994
 DE 69505433 T2 4/1999
 DE 19807973 7/1999
 DE 19832990 1/2000
 DE 20000483 8/2000
 DE 10004105 10/2000
 DE 199 41 362 3/2001
 DE 199 45 760 3/2001
 DE 19945760 3/2001
 DE 20114257 2/2002
 DE 10059406 6/2002
 DE 102 05 831 8/2003
 DE 03069208 A1 8/2003

(56)

References Cited

FOREIGN PATENT DOCUMENTS		
DE	10205831	8/2003
DE	10311238	10/2004
DE	10 2004 027 789	2/2005
DE	10 2004 027789	2/2005
DE	29825120	2/2005
DE	2004027789 A1	2/2005
DE	20320781	6/2005
DE	10 2004 014 646	7/2005
DE	10 2004 003 438	8/2005
DE	10 2004 007 733	9/2005
DE	10 2004 021 298	11/2005
DE	69535077 T2	11/2006
DE	202007001031	3/2007
DE	60200500 1173	8/2007
DE	60206956 T2	8/2008
DE	102007006547	8/2008
DE	102009053449	2/2011
EP	0092392	10/1983
EP	524408	1/1993
EP	567325	10/1993
EP	678334	10/1995
EP	0706832	4/1996
EP	0710506	5/1996
EP	801002	10/1997
EP	987060	3/2000
EP	1081639	3/2001
EP	1247586	10/2002
EP	1294490	3/2003
EP	1366823	12/2003
EP	1424135	6/2004
EP	1477232 A1	11/2004
EP	1479447 A1	11/2004
EP	1504823 A1	2/2005
EP	1563913	8/2005
EP	1574262	9/2005
EP	1602412	12/2005
EP	1880771 A1	1/2008
EP	1902766 A1	3/2008
EP	1902876	3/2008
EP	1930084	6/2008
EP	1964616	9/2008
EP	1964616 A2	9/2008
FR	398333	6/1909
FR	789762	11/1935
FR	1410519	9/1964
FR	2444501	7/1980
FR	2462200 A1	2/1981
FR	2 570 140	3/1986
FR	2 774 928	8/1999
FR	2927824 A1	8/2009
GB	190900523	6/1909
GB	2 132 916	7/1984
GB	2153260	8/1985
GB	2372465	8/2002
GB	2411235	8/2005
JP	S5654328	5/1981
JP	S57-75246	5/1982
JP	S5998757	6/1984
JP	S601722	1/1985
JP	H01-87805	6/1989
JP	H0530749	4/1993
JP	H05172678	7/1993
JP	674850	3/1994
JP	H06215741	8/1994
JP	H09117697	5/1997
JP	2001259487	9/2001
JP	2003042882	2/2002
JP	2004017044	1/2004
JP	2005138885	6/2005
JP	2007516831	6/2007
WO	90/008456	8/1990
WO	91/16610	1/1991
WO	1992/07346	4/1992
WO	9522409	8/1995
WO	1998/32539	7/1998

WO	01/12337	2/2001
WO	0166261	9/2001
WO	01/99062	12/2001
WO	02/00355	1/2002
WO	02/18061	2/2002
WO	02/085533	10/2002
WO	03/007252	1/2003
WO	03/045575	6/2003
WO	03/069208	8/2003
WO	2004/37433	5/2004
WO	2004/037433	5/2004
WO	2004/052552	6/2004
WO	2005/018815	3/2005
WO	2005/068220	7/2005
WO	2005/070557	8/2005
WO	2005/070558	8/2005
WO	2005/077543	8/2005
WO	2005/115631	12/2005
WO	2006065850	6/2006
WO	2007/128127	11/2007
WO	2007133386 A2	11/2007
WO	2007/149760 A2	12/2007
WO	2009015260	1/2009
WO	2013016474	1/2013

OTHER PUBLICATIONS

Chinese Search Report dated Dec. 5, 2012 for related application CN200980135429.9.

Chinese Office Action dated Dec. 13, 2012 for related application CN200980135429.9.

German Search Report for DE 20 2008 014 389.6 completed Jul. 13, 2009.

Office Action dated Nov. 18, 2014 for U.S. Appl. No. 14/113,649.

Notice of Allowance dated Nov. 19, 2014 for U.S. Appl. No. 29/486,223.

Office Action dated Dec. 31, 2014 for U.S. Appl. No. 13/380,949.

Restriction Requirement dated Jan. 9, 2015 for U.S. Appl. No. 29/469,049.

Response to Office Action filed Dec. 2, 2014 for U.S. Appl. No. 29/487,679.

Notice of Allowance dated Jan. 15, 2015 for U.S. Appl. No. 29/490,620.

Office Action dated Jan. 14, 2015 for U.S. Appl. No. 29/447,887.

hercules Paint Gun Washers brochure publish date Jan. 2012, [online], [site visited Jan. 7, 2015], <http://www.herkules.us/pdfs/L00761-Hercules-Gun_Washers-4-p.-brochure.pdf>.

Jetclean GUn Cleaner Terry's Auto Supply, google publish date Aug. 4, 2011, [online], [site visited Jan. 7, 2015], <<http://secure.terrys.net/viewProduct.php?productID=Ft.FHAZ1005>>.

Application filed Mar. 3, 2015, 2015 for U.S. Appl. No. 29/519,198.

Office Action dated Mar. 30, 2015 for U.S. Appl. No. 13/698,417.

Response to Office Action filed Apr. 14, 2015 to Office Action dated Jan. 14, 2015 for U.S. Appl. No. 29/447,887.

Application filed Jan. 29, 2015 for U.S. Appl. No. 29/516,082.

Notice of Allowance dated Apr. 30, 2015 for U.S. Appl. No. 29/447,887.

Chinese Office Action dated Oct. 28, 2014 and Search Report dated Oct. 15, 2014 for Chinese Application No. 2011800266029.

Australian Examination Report dated Oct. 30, 2012 for Australian Application No. 2010268870.

Application filed Jan. 29, 2015 for U.S. Appl. No. 29/516,073.

Restriction Requirement dated Jan. 22, 2015 for U.S. Appl. No. 13/698,417.

Response filed Mar. 23, 2015 to Restriction Requirement dated Jan. 22, 2015 for U.S. Appl. No. 13/698,417.

Restriction Requirement dated May 27, 2015 for U.S. Appl. No. 13/991,285.

Response filed Mar. 31, 2015 to Office Action dated Dec. 31, 2014 for U.S. Appl. No. 13/380,949.

Japanese Office Action dated Jun. 11, 2014 for Japanese Patent Application No. 2012-518769.

Australian Examination Report dated Nov. 11, 2014 for Australian patent Application No. 2011257605.

(56)

References Cited

OTHER PUBLICATIONS

Japanese Notice of Allowance mailed Jan. 13, 2015 for Japanese Patent Application No. 20121518769.

Application filed Dec. 11, 2011 for U.S. Appl. No. 13/380,949.

Chinese Office Action dated Jan. 28, 2014 and Search Report dated Jan. 21, 2014 for Chinese Application No. 201080030935.4.

Search Report dated Apr. 24, 2010 for German Application No. 10 2009 032 399.6-51.

Application filed Oct. 24, 2013 for U.S. Appl. No. 14/113,649.

Response filed May 18, 2015 to Office Action dated Nov. 18, 2014 for U.S. Appl. No. 14/113,649.

Application filed Dec. 17, 2014 for U.S. Appl. No. 14/572,998.

German Search Report dated Mar. 25, 2014 for German Application No. 202013105779-7.

Application filed Nov. 16, 2012 for U.S. Appl. No. 13/698,417.

Application filed Jun. 2, 2013 for U.S. Appl. No. 13/991,285.

English translation of application filed Aug. 13, 2013 for Application filed Jun. 2, 2013 for U.S. Appl. No. 13/991,285.

Final Office Action dated Jul. 20, 2015 for U.S. Appl. No. 14/113,649.

Response filed Jul. 20, 2015 for Office Action dated Mar. 30, 2015 for U.S. Appl. No. 13/698,417.

International Search Report, Written Opinion and International Preliminary Report on Patentability for PCT/EP2004/005381 file May 19, 2004.

International Search Report, Written Opinion and International Preliminary Report on Patentability for PCT/EP2004/011998 filed Oct. 23, 2004.

International Search Report, Written Opinion and International Preliminary Report on Patentability for PCT/EP2005/000435 filed Jan. 18, 2005.

International Search Report, Written Opinion and International Preliminary Report on Patentability for PCT/EP2005/00437 filed Jan. 18, 2005.

International Search Report, Written Opinion and International Preliminary Report on Patentability for PCT/EP2008/063344, filed Oct. 6, 2008.

International Search Report, Written Opinion and International Preliminary Report on Patentability for PCT/EP2010/002392 filed Apr. 20, 2010.

International Search Report, Written Opinion and International Preliminary Report on Patentability for PCT/EP2011/002544 filed May 21, 2011.

International Search Report, Written Opinion and International Preliminary Report on Patentability for PCT/EP2011/066665 filed Sep. 26, 2011.

International Search Report, Written Opinion and International Preliminary Report on Patentability for PCT/EP2010/003399 filed Jun. 7, 2010.

International Search Report, Written Opinion and International Preliminary Report on Patentability for PCT/EP2011/5842 filed Dec. 2, 2010.

International Search Report, Written Opinion and International Preliminary Report on Patentability for PCT/EP2012/01939 filed May 5, 2012.

International Search Report, Written Opinion and International Preliminary Report on Patentability for PCT/EP2009106992 filed Sep. 29, 2009.

Internet Archive Wayback Machine [online] [captured Sep. 25, 2012] [retrieved on Sep. 8, 2014] retrieved from the Internet URL:http://web.archive.org/web/20120925210554/http://www.sata.com/index.php?id=sal-check&no_cache=1&L=11.

JP Office Action issued against JP Patent App. 2012-508926 on Feb. 25, 2014 with English translation.

* cited by examiner

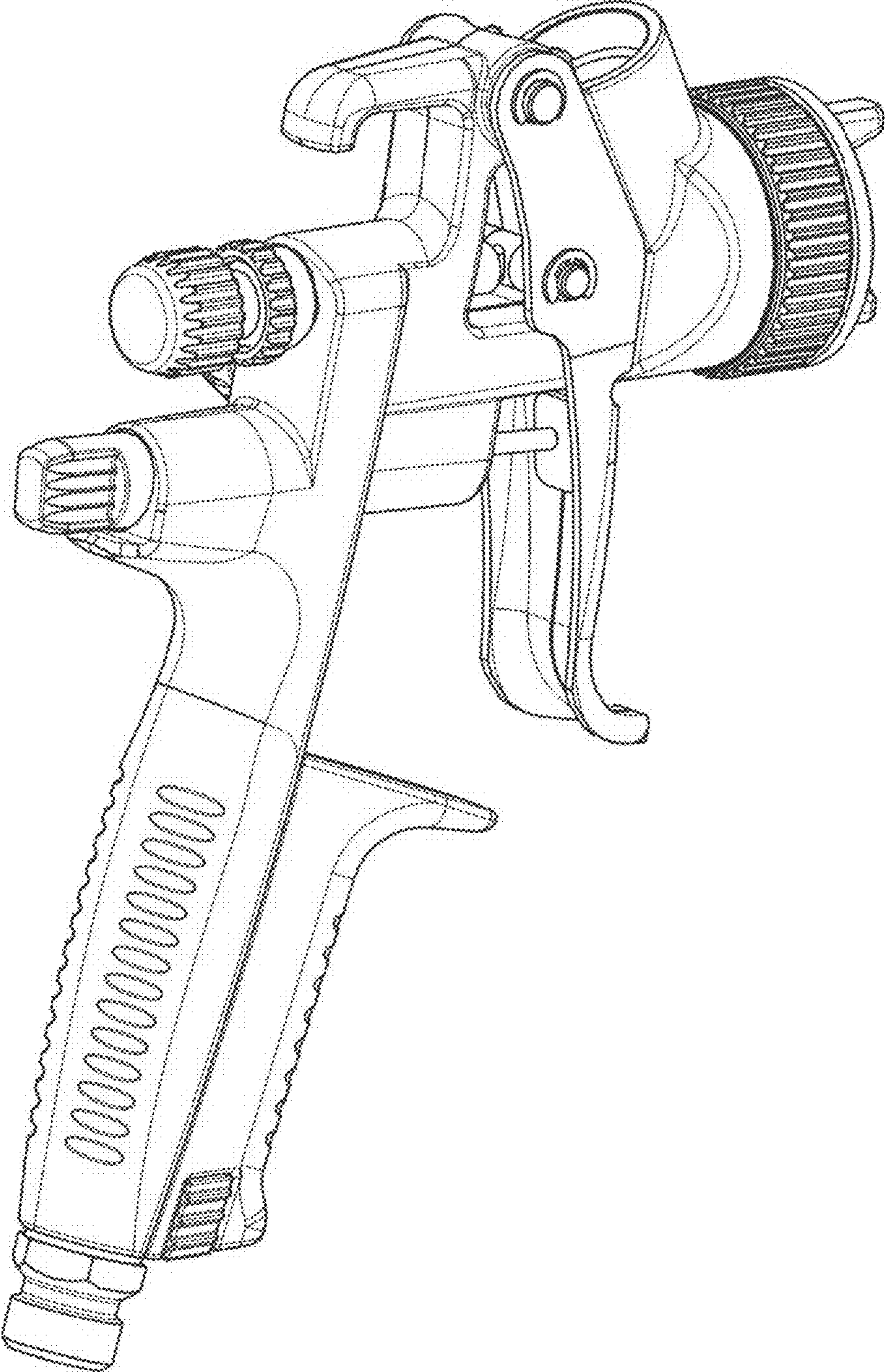


FIG. 1

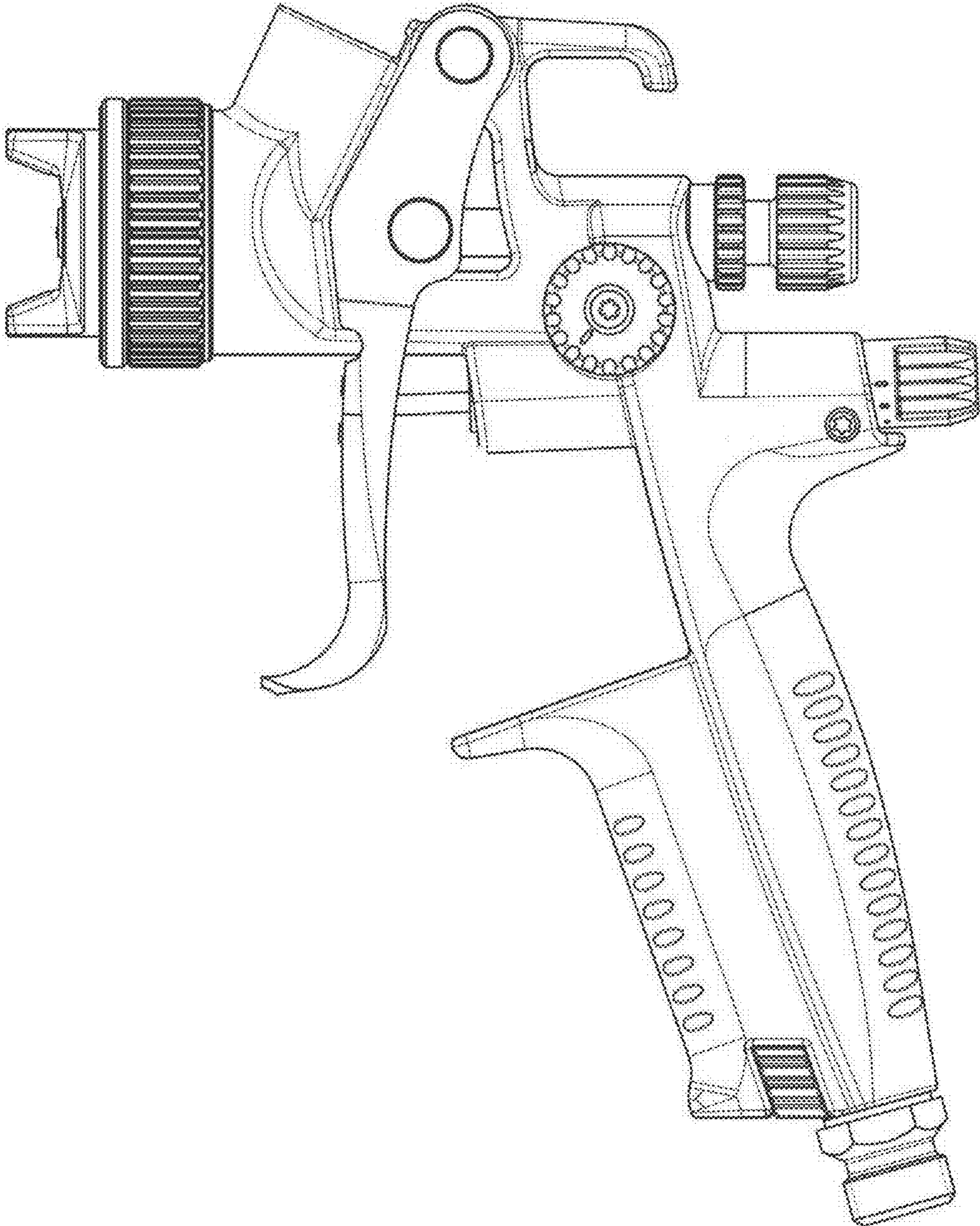


FIG. 2

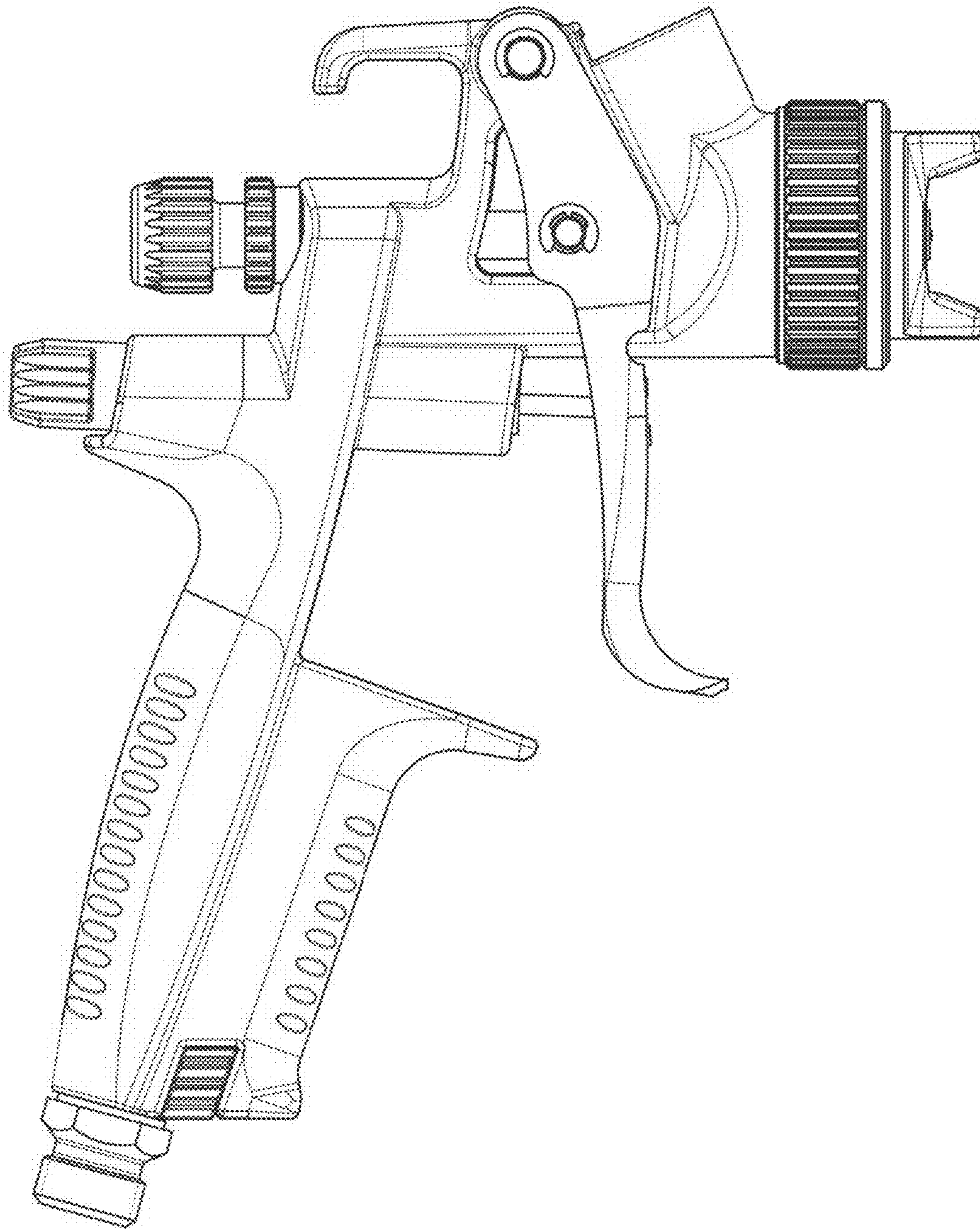


FIG. 3

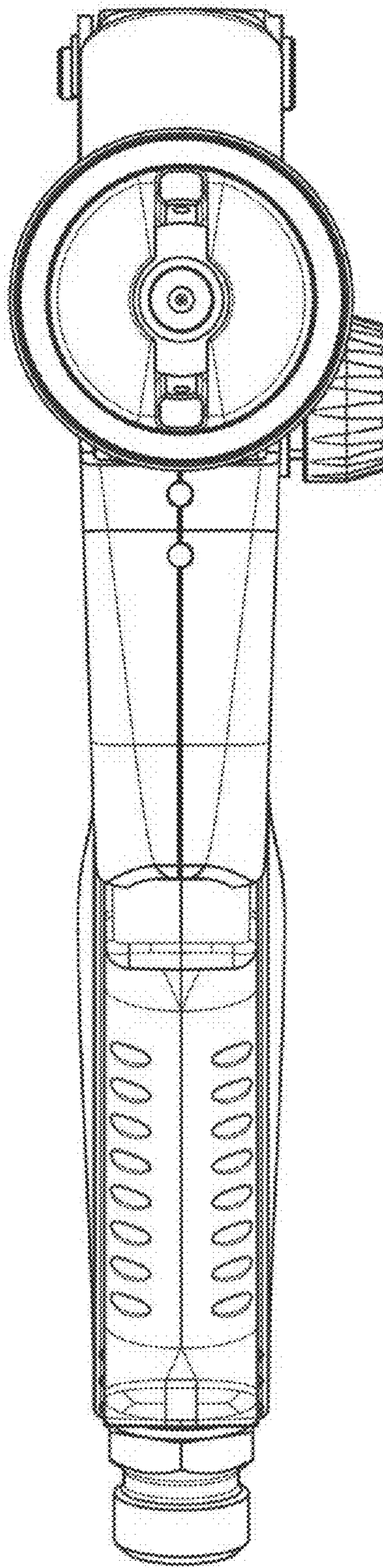


FIG. 4

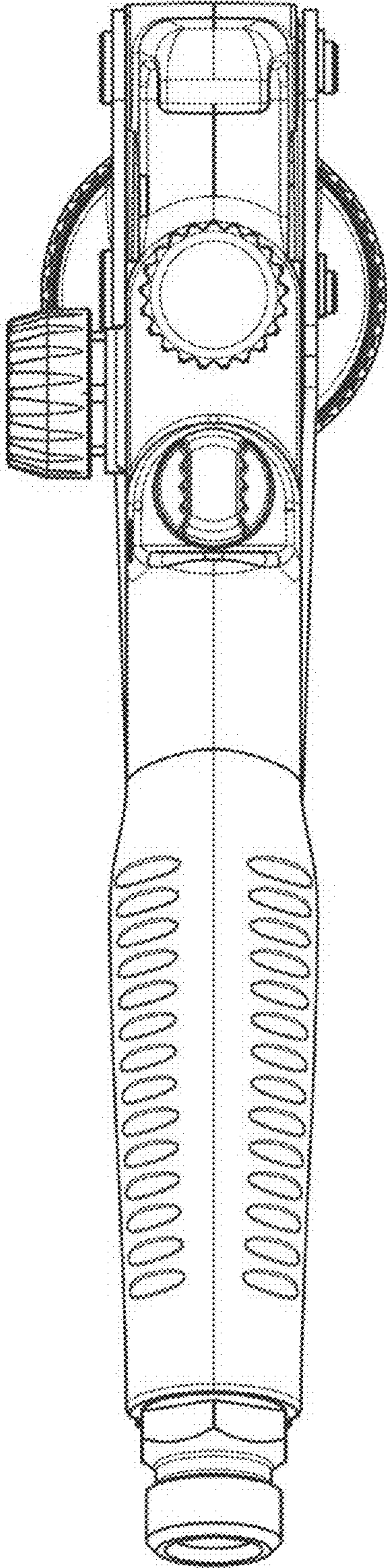


FIG. 5

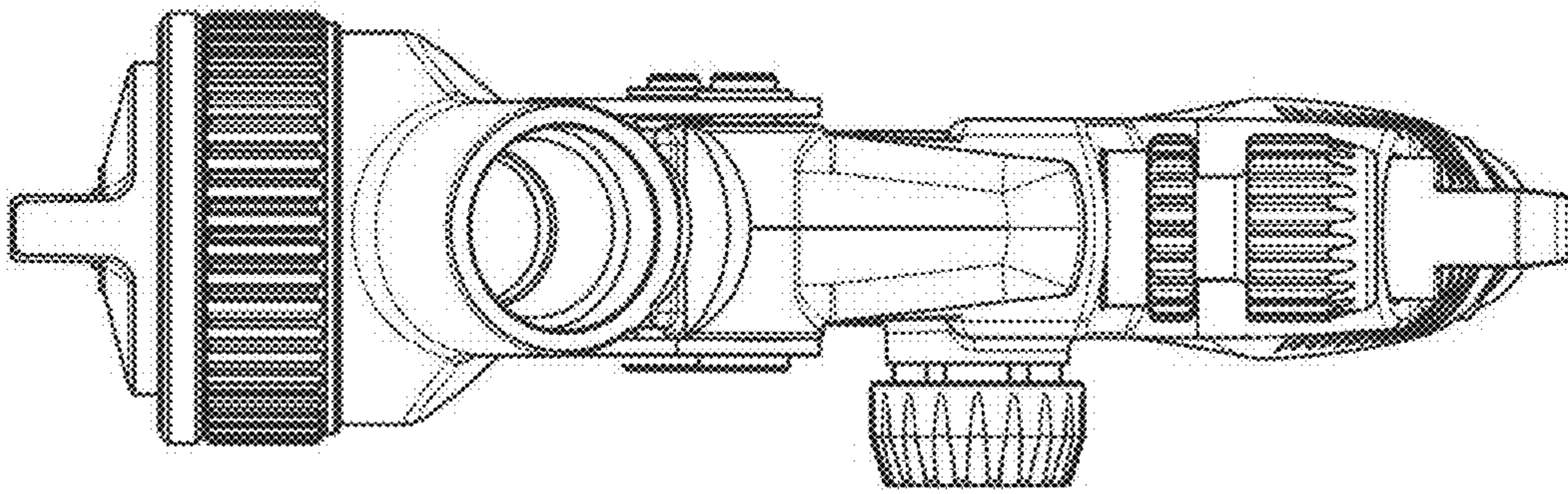


FIG. 6

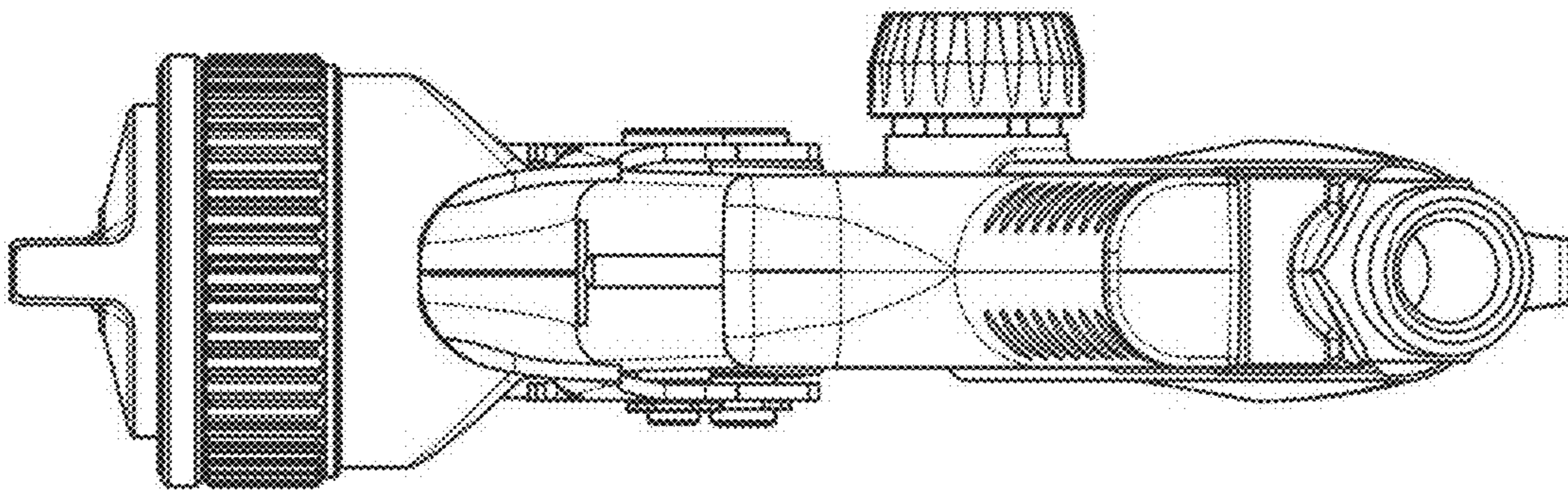


FIG. 7

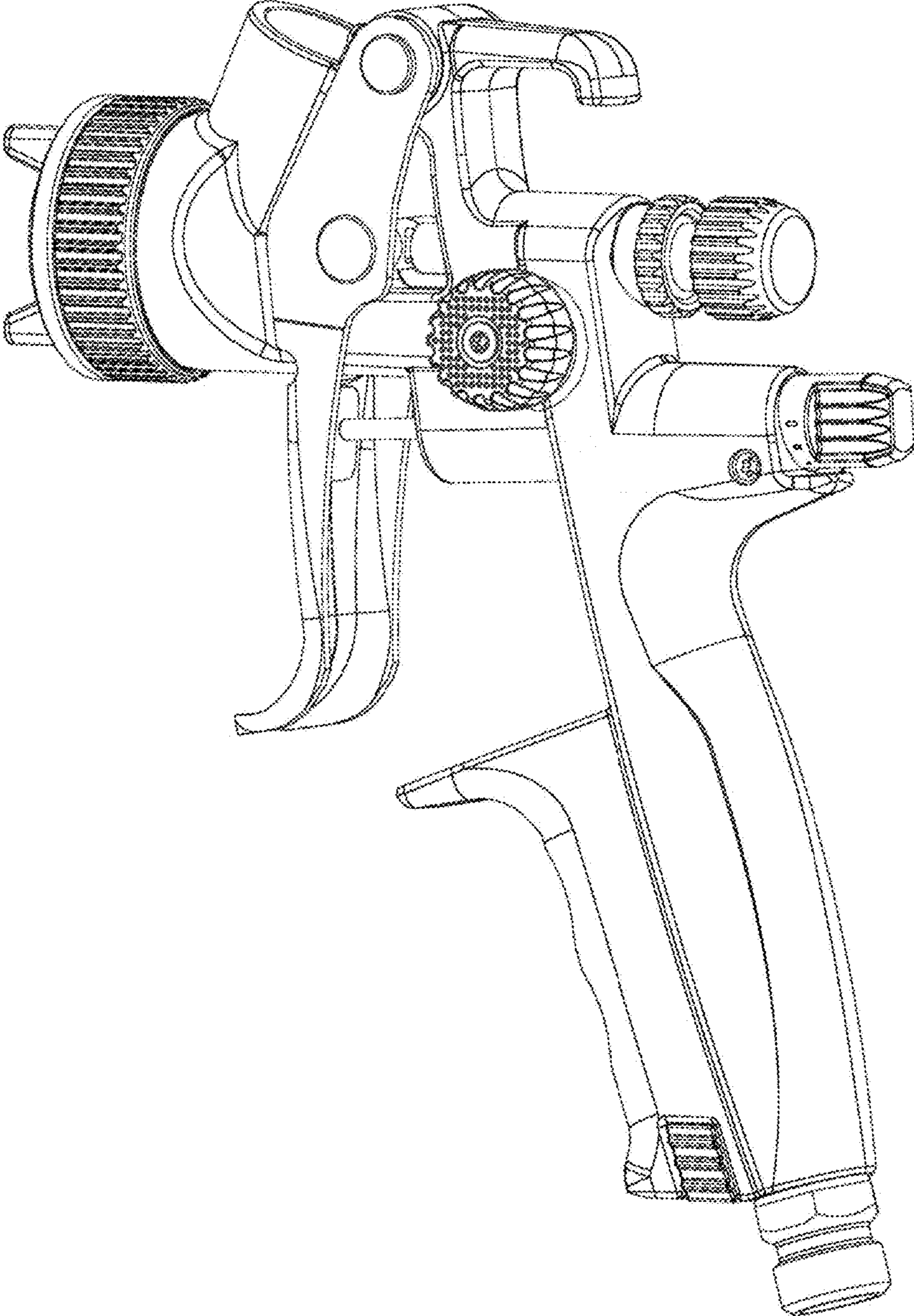


FIG. 8

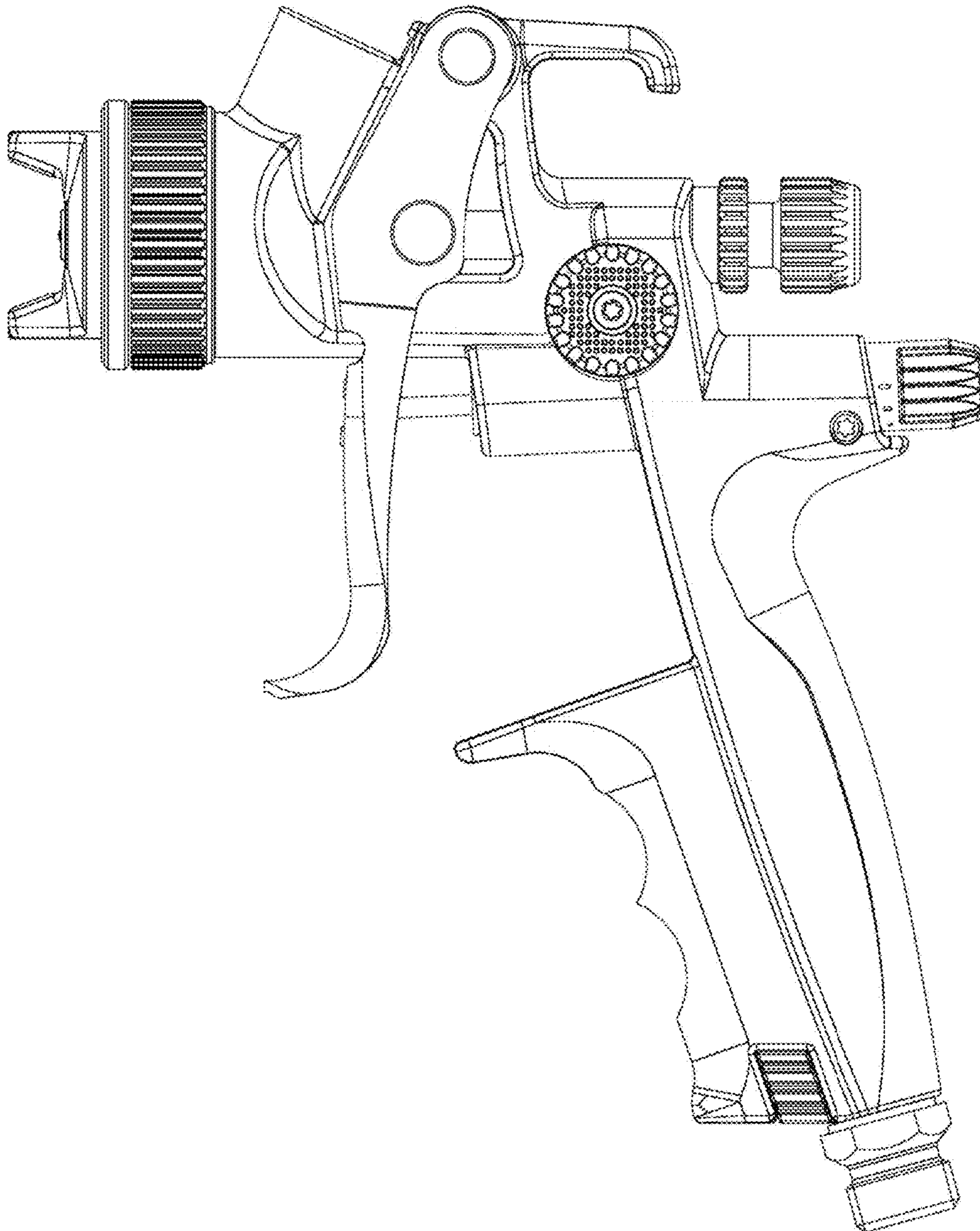


FIG. 9

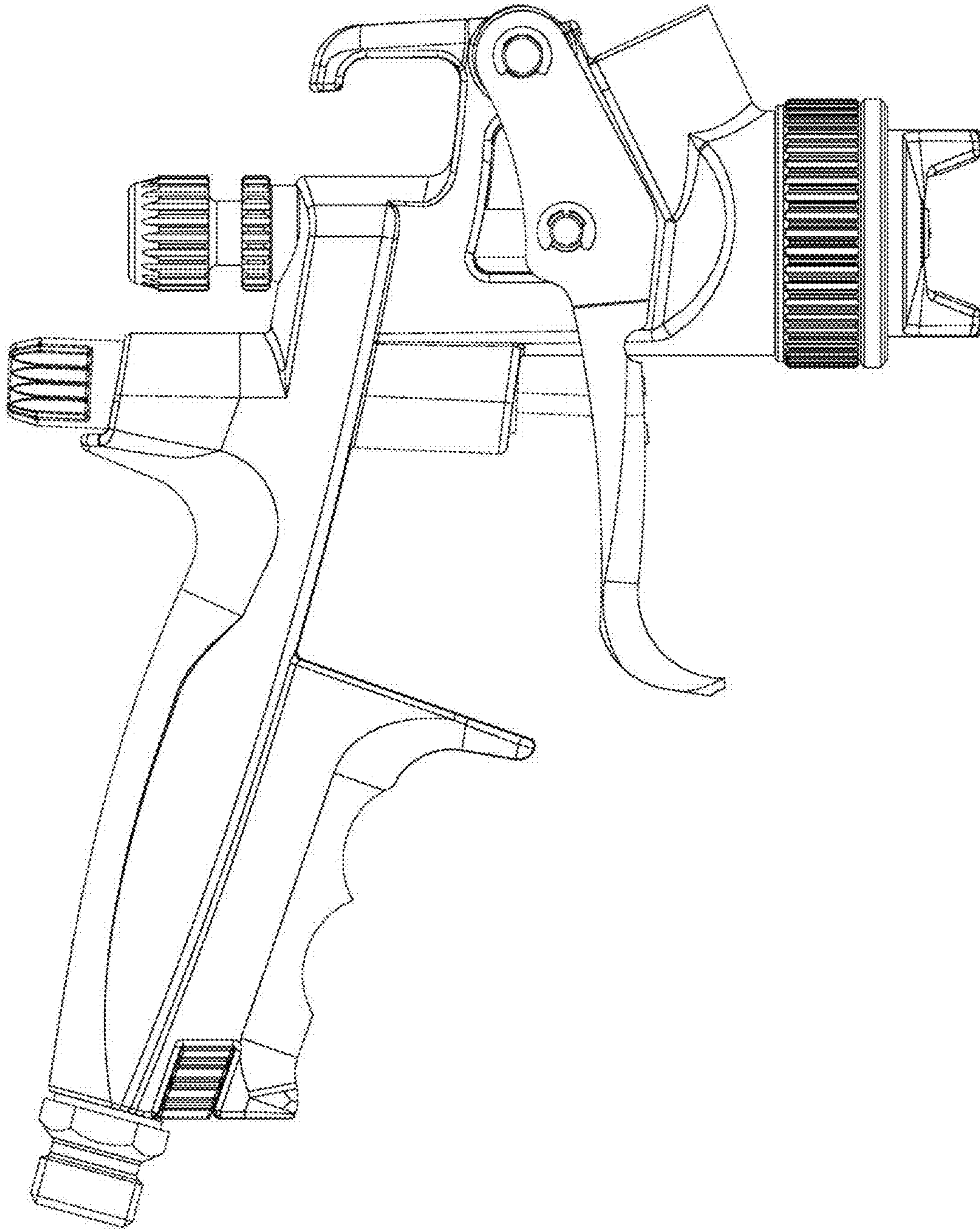


FIG. 10

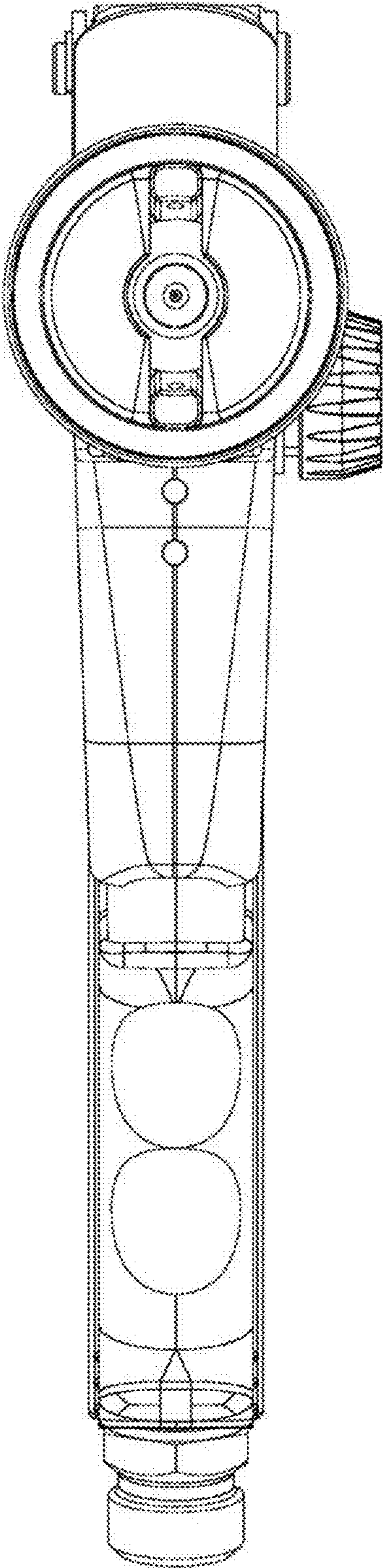


FIG. 11

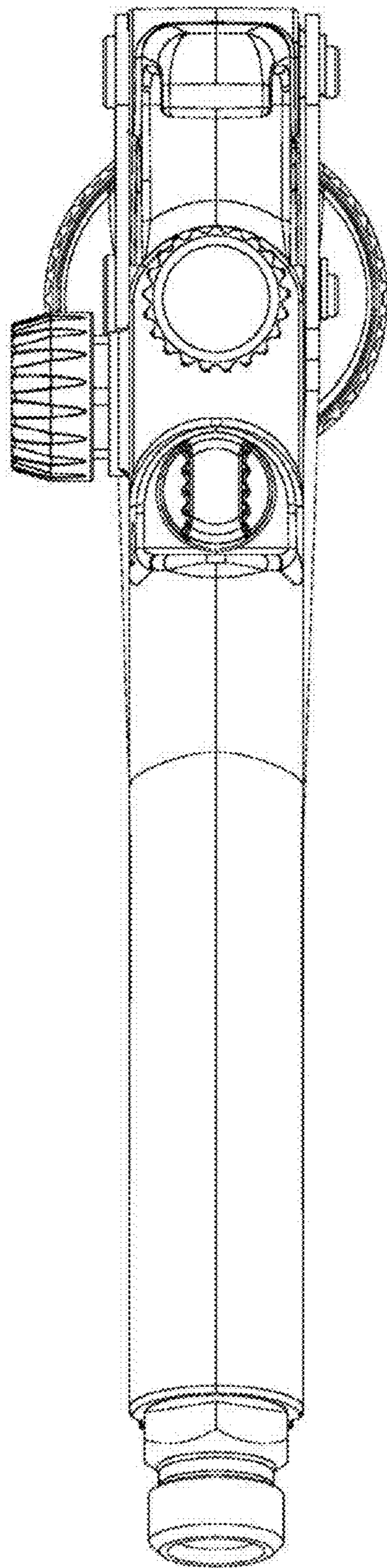


FIG. 12

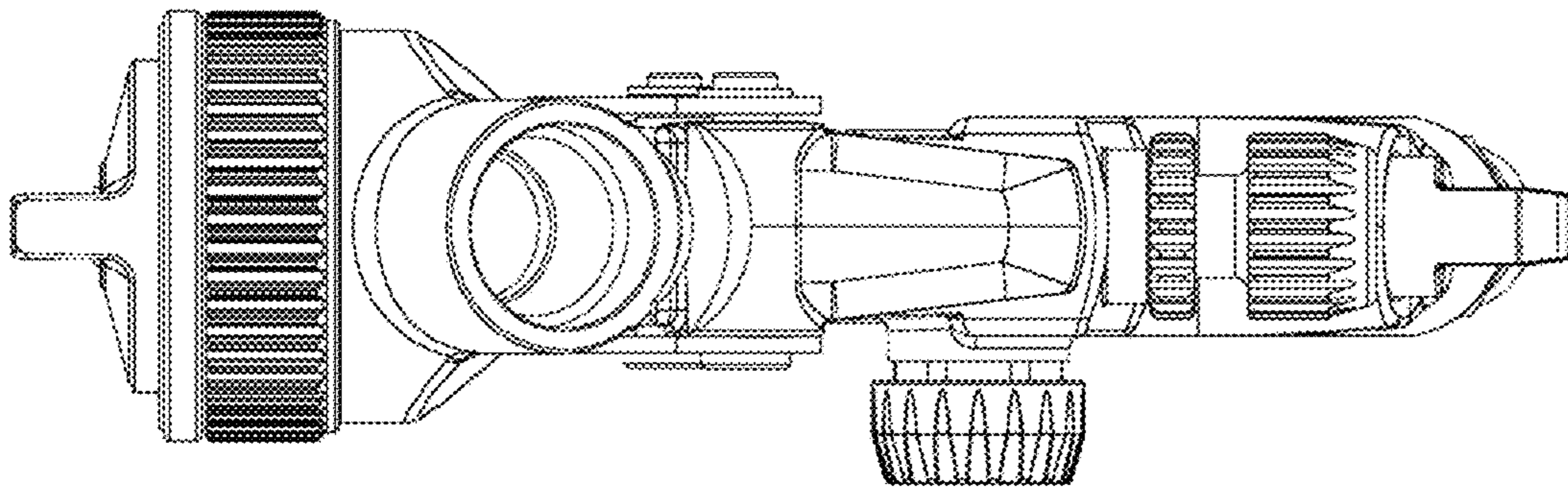


FIG. 13

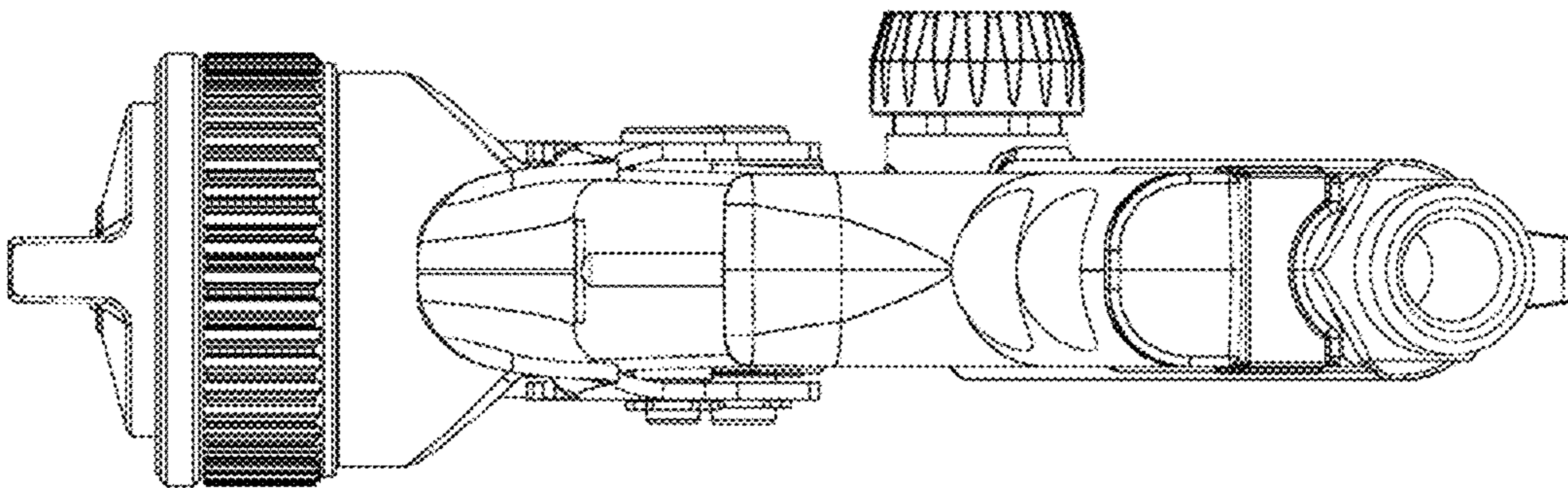


FIG. 14