



US00D740391S

(12) **United States Design Patent**  
**Mueller et al.**

(10) **Patent No.:** **US D740,391 S**

(45) **Date of Patent:** **\*\* Oct. 6, 2015**

(54) **FILTER ASSEMBLY**

(71) Applicant: **Sartorius Stedim Biotech GmbH**,  
Goettingen (DE)

(72) Inventors: **Alexander Mueller**,  
Neunkirchen-Seelcheid (DE); **Dirk  
Lamprecht**, Erlangen (DE); **Thomas  
Krumbein**, Ebergoetzen (DE); **Stefan  
Weisshaar**, Adelebsen (DE); **Michael  
Bates**, Thrupp. Stroud. (GB)

(73) Assignee: **Sartorius Stedim Biotech GmbH** (DE)

(\*\*) Term: **14 Years**

(21) Appl. No.: **29/499,144**

(22) Filed: **Aug. 12, 2014**

(51) **LOC (10) Cl.** ..... **23-01**

(52) **U.S. Cl.**  
USPC ..... **D23/209**

(58) **Field of Classification Search**  
USPC ..... D23/207-210; D24/162; 210/321.72,  
210/321.75, 321.8, 321.6; 96/7  
See application file for complete search history.

(56) **References Cited**

U.S. PATENT DOCUMENTS

4,016,081	A *	4/1977	Martinez et al.	.....	210/321.75
D322,117	S *	12/1991	Kopf	.....	D23/209
D323,202	S *	1/1992	Kopf	.....	D23/209
5,192,434	A *	3/1993	Moller	.....	210/227
7,569,144	B2 *	8/2009	De Biran et al.	.....	210/321.75
D652,103	S *	1/2012	Okajima et al.	.....	D23/207
D652,480	S *	1/2012	Okajima et al.	.....	D23/207
8,702,981	B2 *	4/2014	Lutz et al.	.....	210/167.21

\* cited by examiner

*Primary Examiner* — Robin V Webster

(74) *Attorney, Agent, or Firm* — Gerald E. Hespos; Michael  
J. Porco; Matthew T. Hespos

(57) **CLAIM**

The ornamental design for a filter assembly, as shown and described.

**DESCRIPTION**

FIG. 1 is a front elevational view of a filter assembly showing a first embodiment of our new design;

FIG. 2 is a rear elevational view of the filter assembly shown in FIG. 1;

FIG. 3 is a left side elevational view, as viewed from the left side of FIG. 1;

FIG. 4 is a right side elevational view thereof;

FIG. 5 is a top plan view thereof;

FIG. 6 is a bottom plan view thereof;

FIG. 7 is a perspective view as viewed from the right front thereof;

FIG. 8 is a left side elevational view of a filter assembly showing a second embodiment of our design, with the front and rear elevational views of the second embodiment being the same as the first embodiment;

FIG. 9 is a right side elevational view of the filter assembly shown in FIG. 8;

FIG. 10 is a top plan view of the filter assembly shown in FIGS. 8 and 9;

FIG. 11 is a bottom plan view of the filter assembly shown in FIGS. 8-10;

FIG. 12 is a perspective view of the filter assembly shown in FIGS. 8-11, as viewed from the right front thereof;

FIG. 13 is a left side elevational view of a filter assembly showing a third embodiment of our design, with the front and rear elevational views of the third embodiment being the same as the first embodiment;

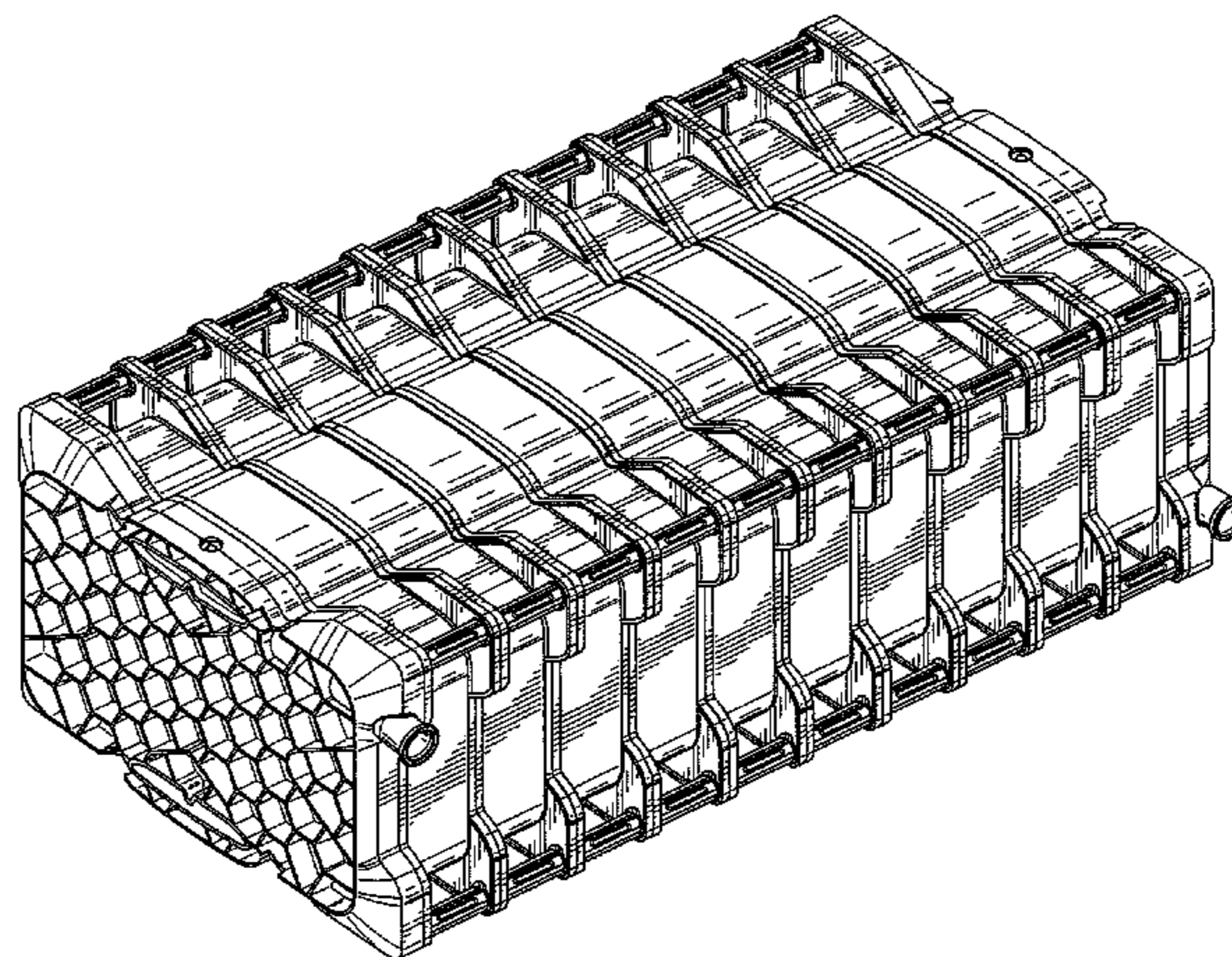
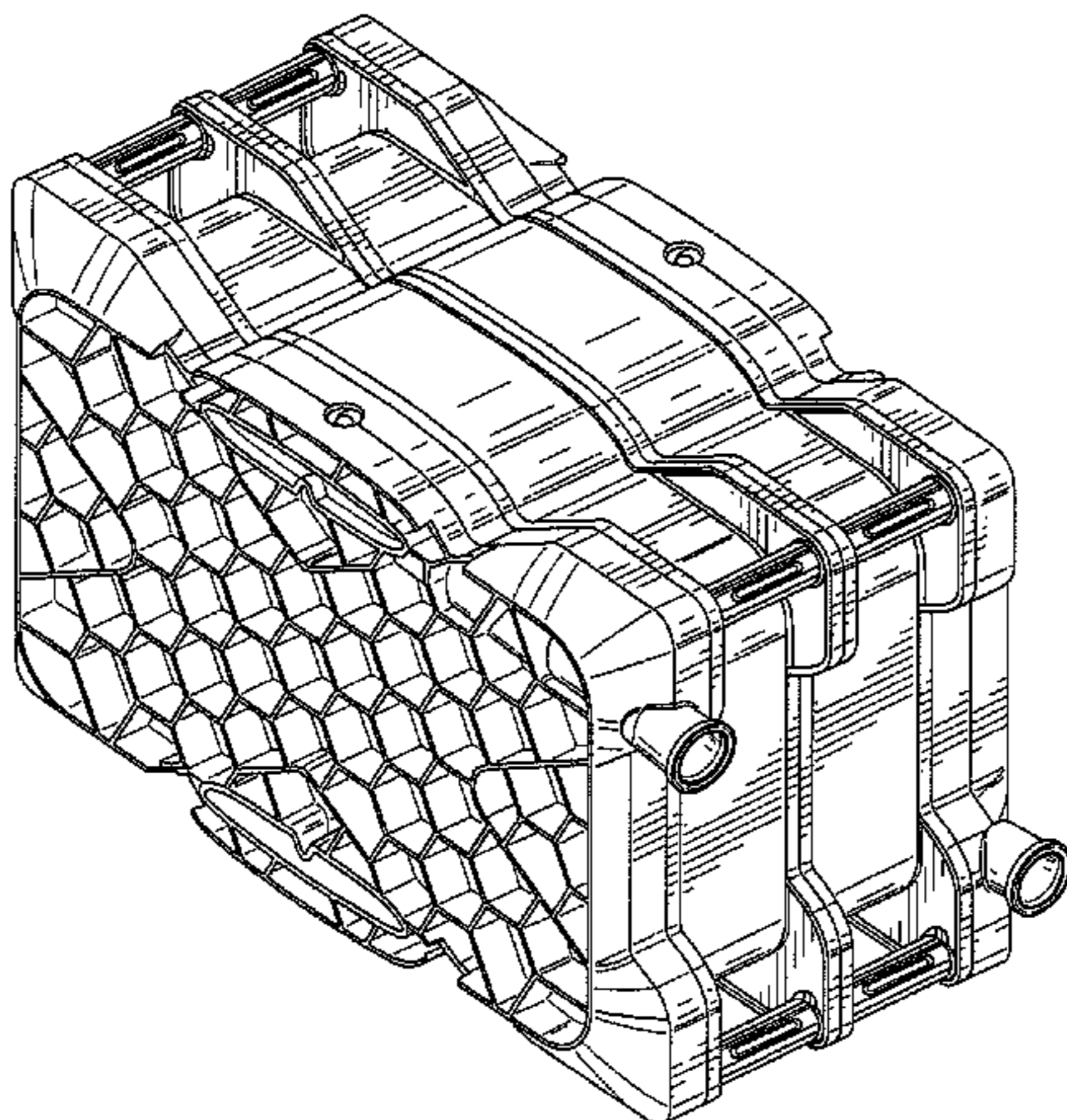
FIG. 14 is a right side elevational view of the filter assembly shown in FIG. 13;

FIG. 15 is a top plan view of the filter assembly shown in FIGS. 13 and 14;

FIG. 16 is a bottom plan view of the filter assembly shown in FIGS. 13-15; and,

FIG. 17 is a perspective view of the filter assembly shown in FIGS. 13-16 as viewed from the right front thereof.

**1 Claim, 17 Drawing Sheets**



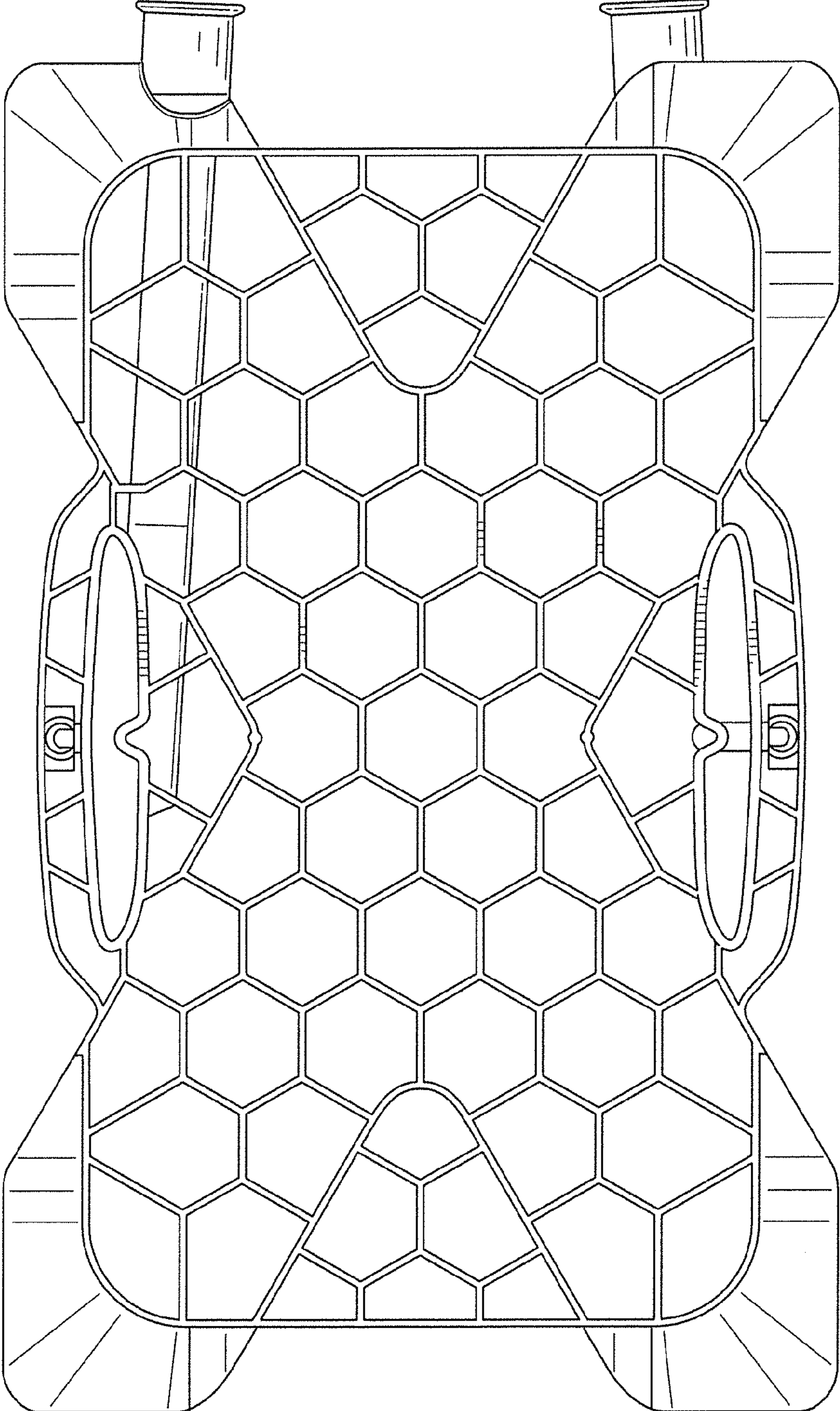


FIG. 1

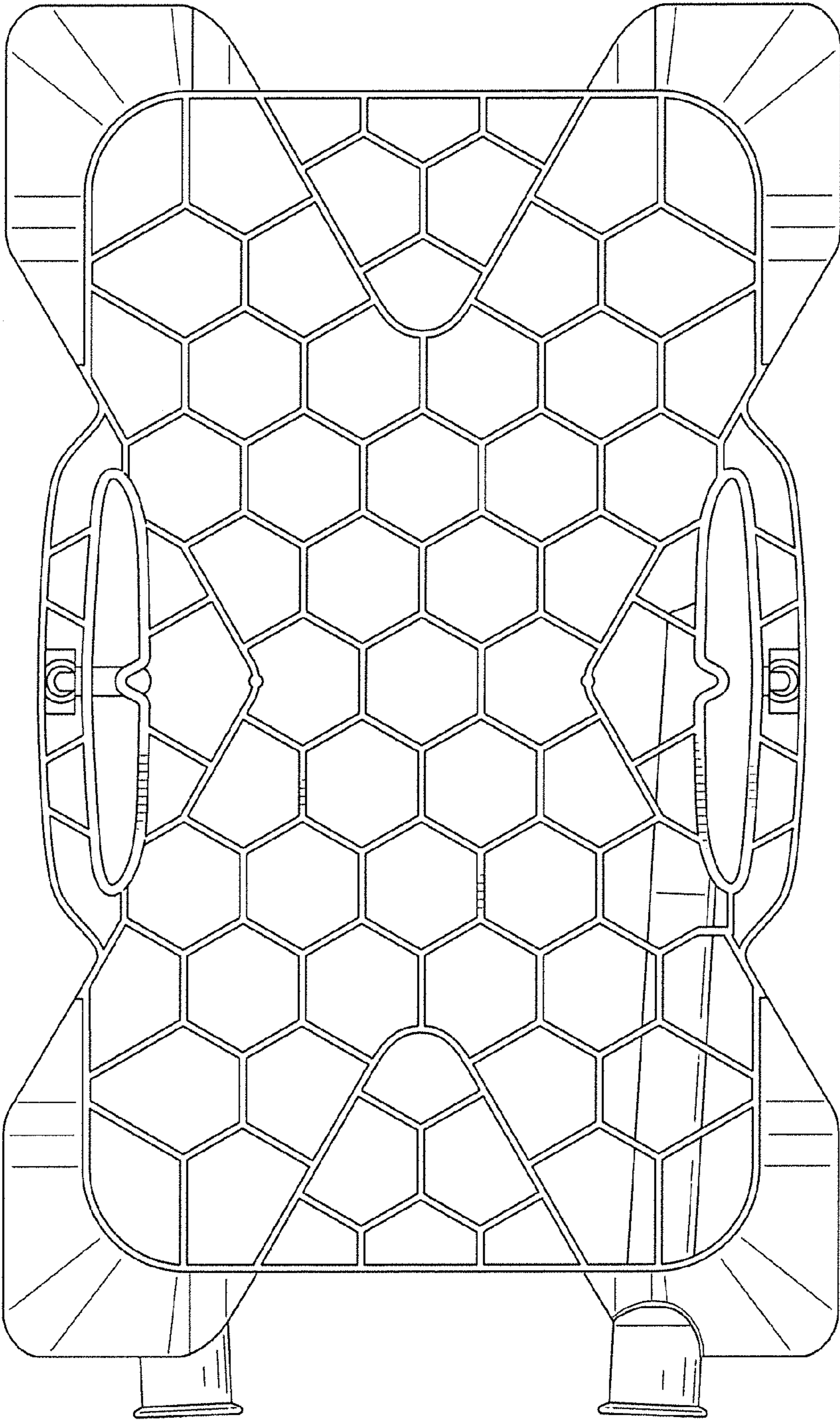


FIG. 2

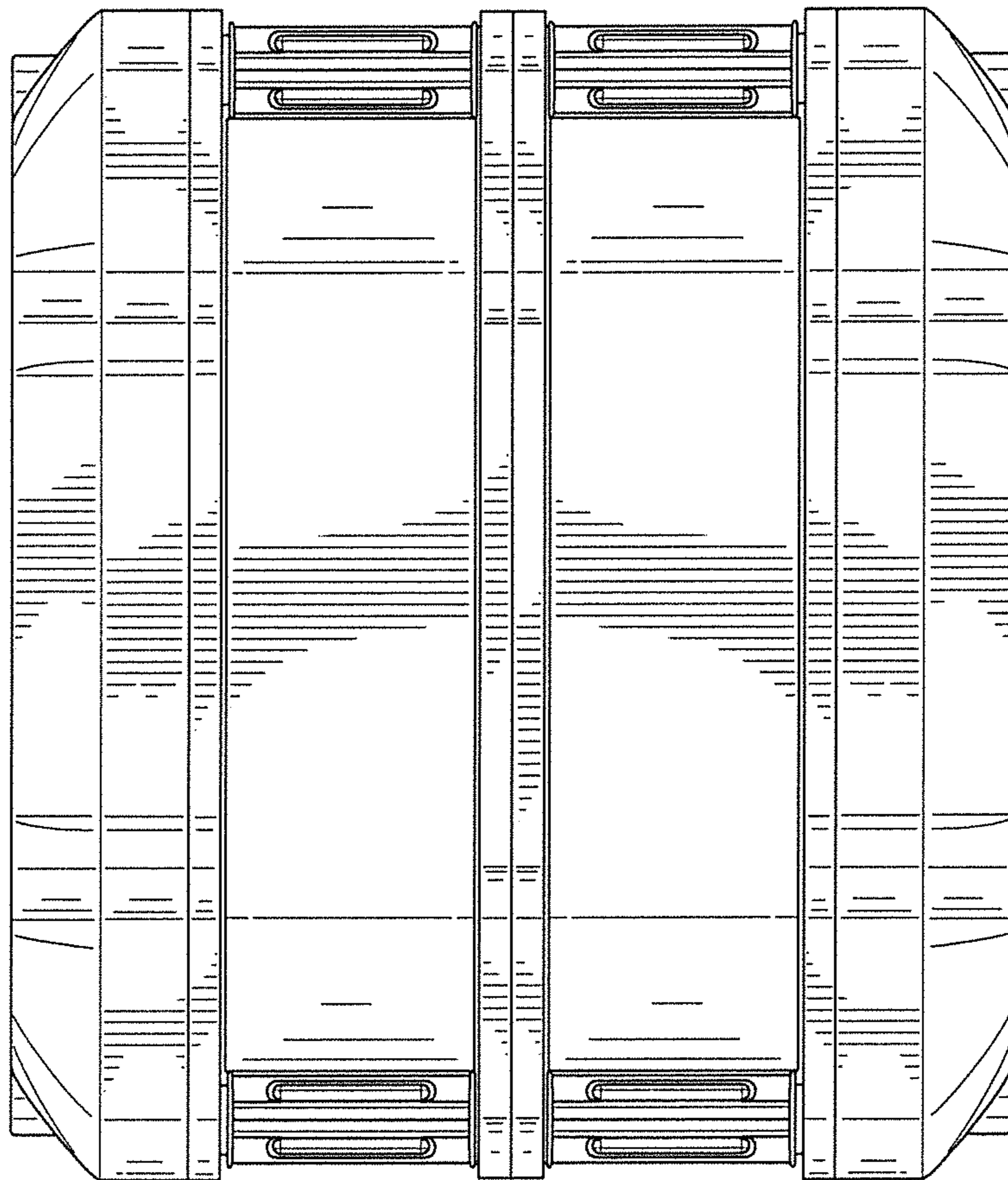


FIG. 3

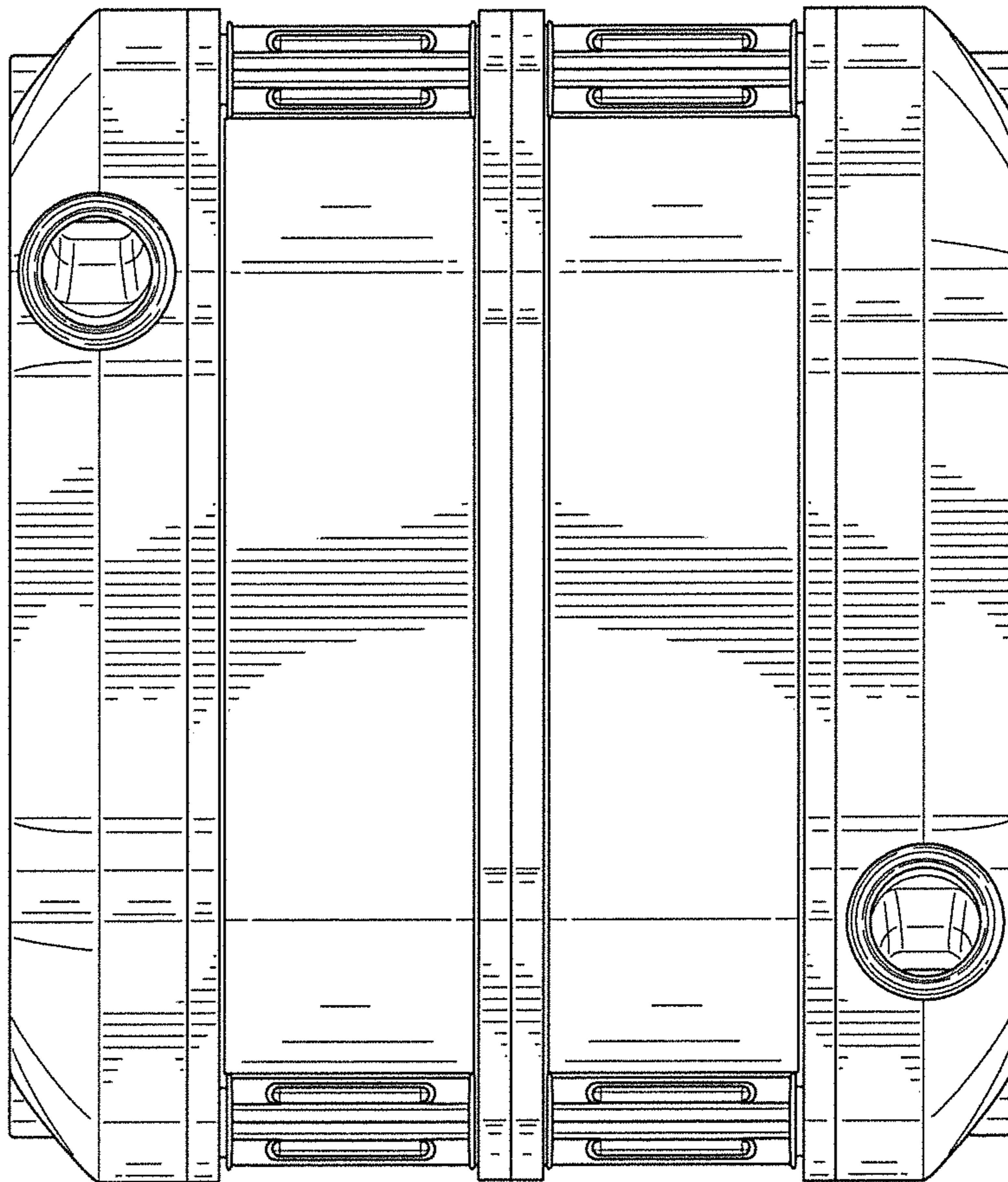


FIG. 4

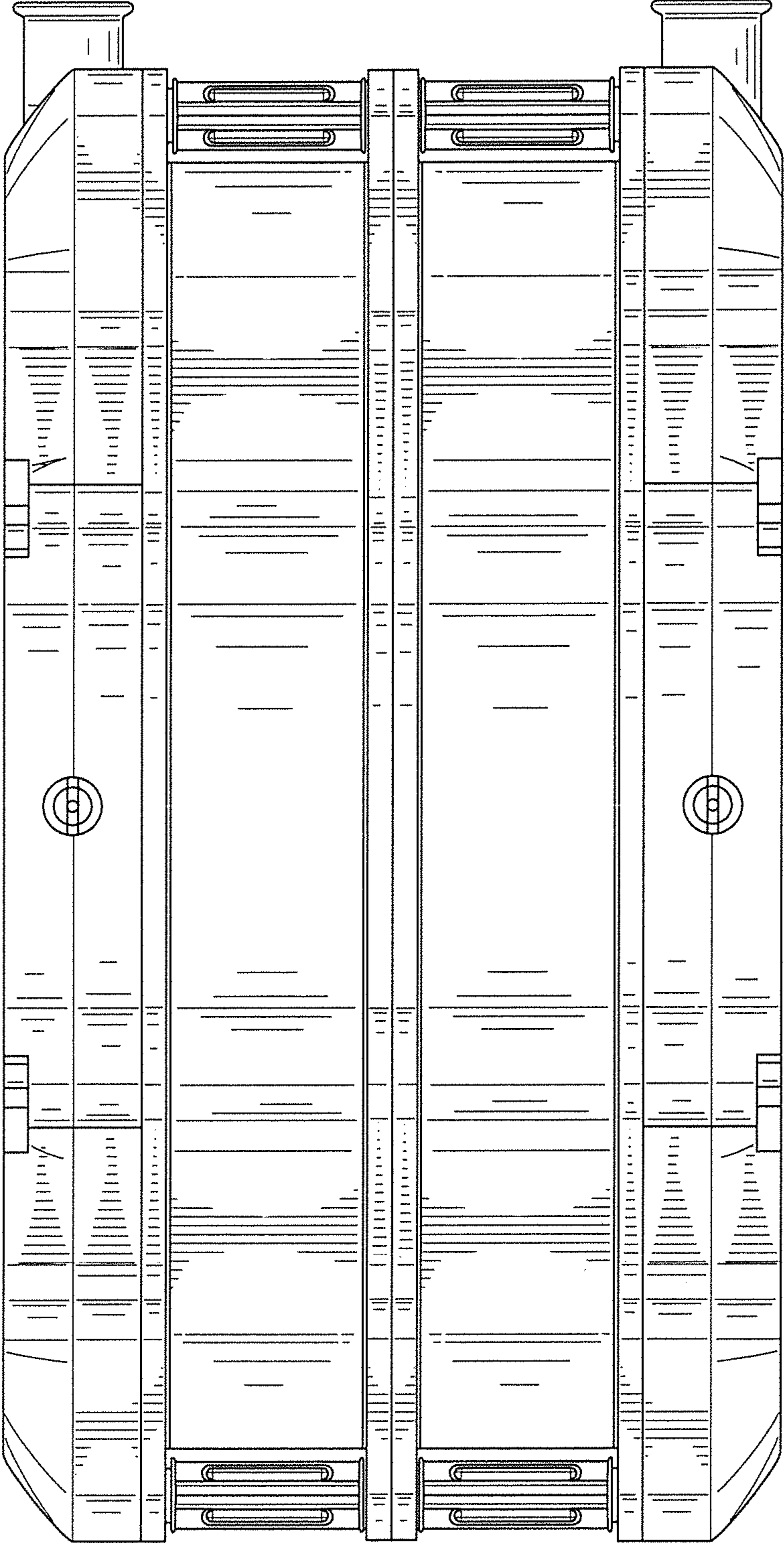


FIG. 5

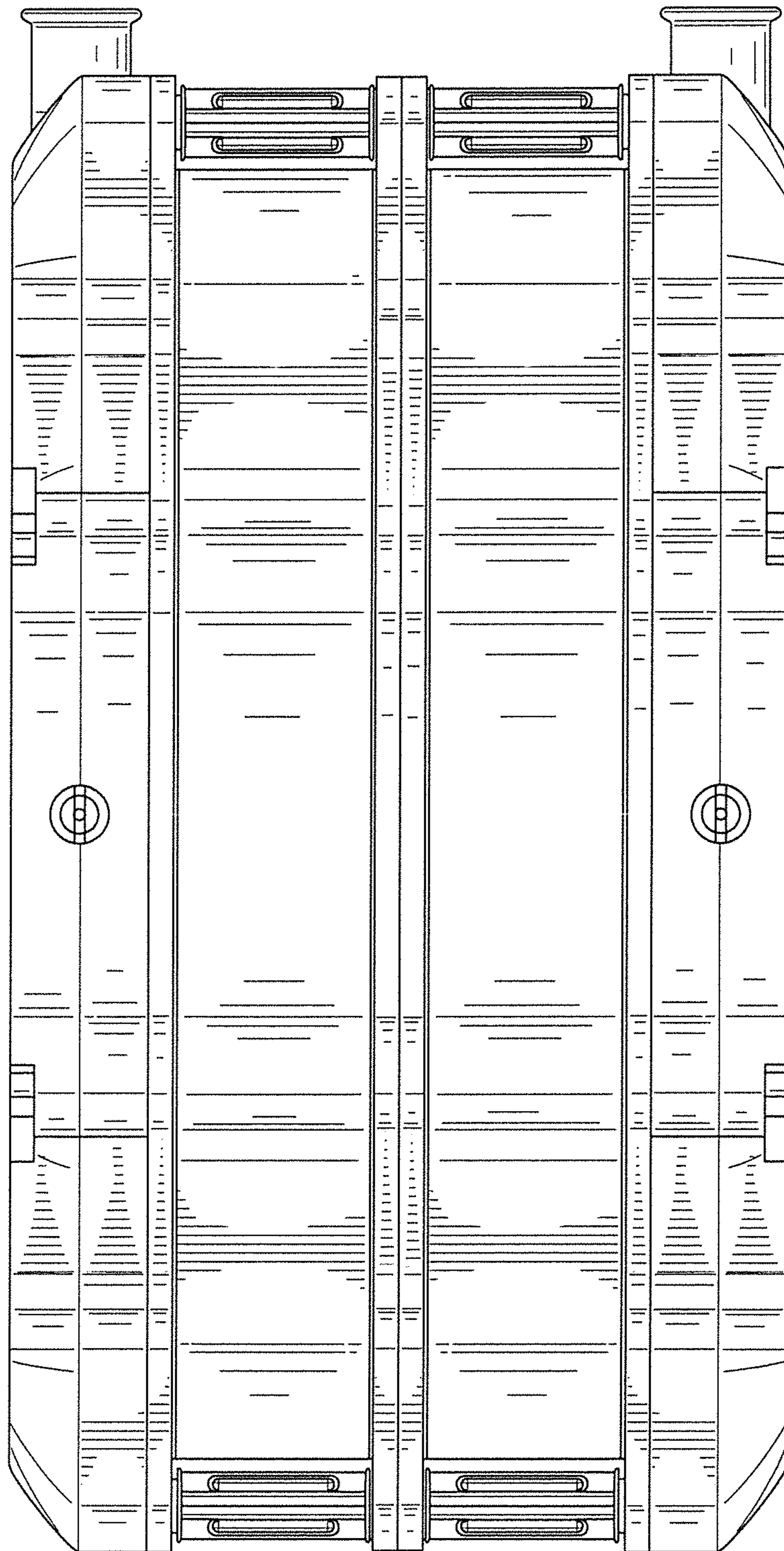


FIG. 6

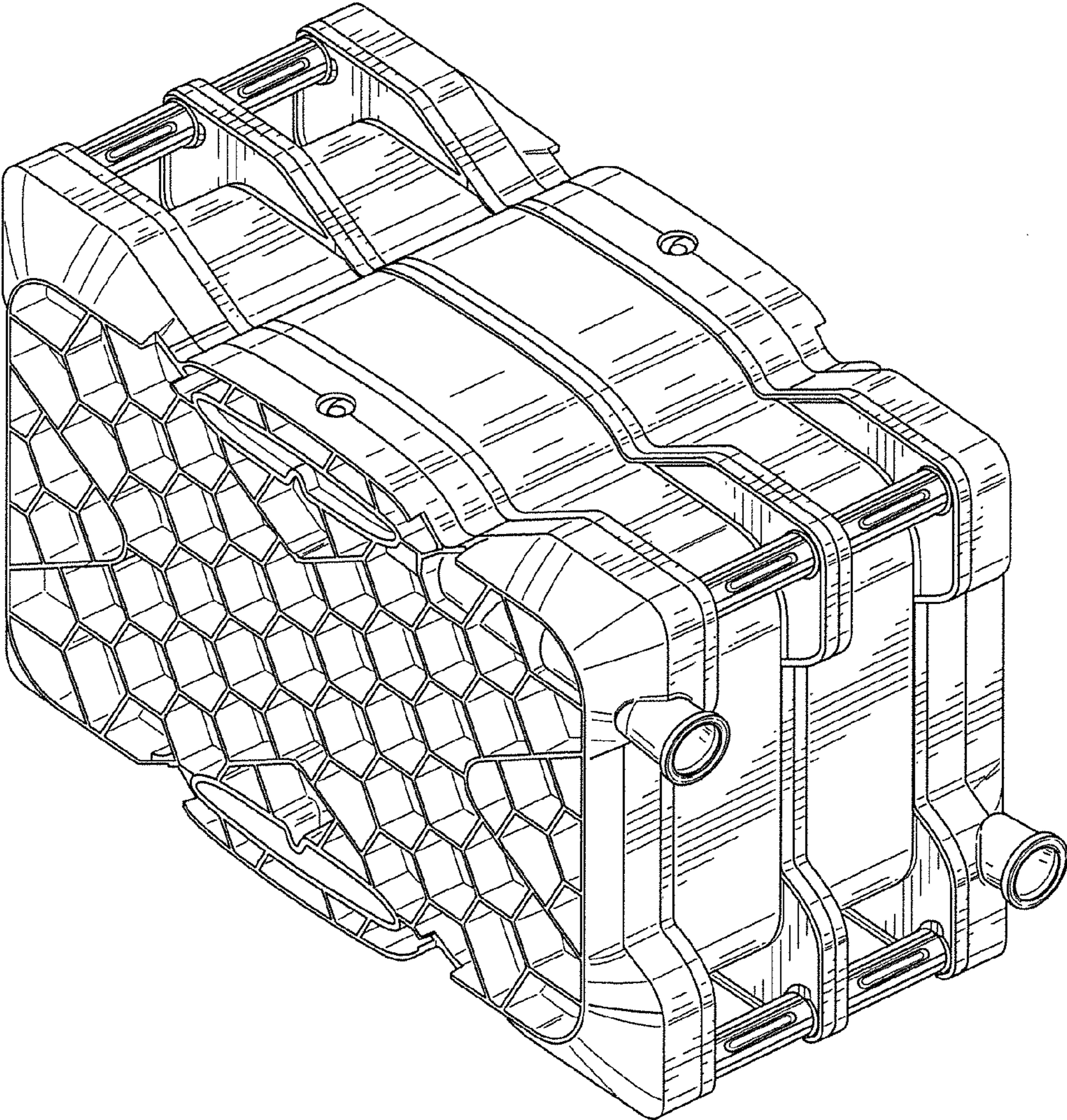


FIG. 7



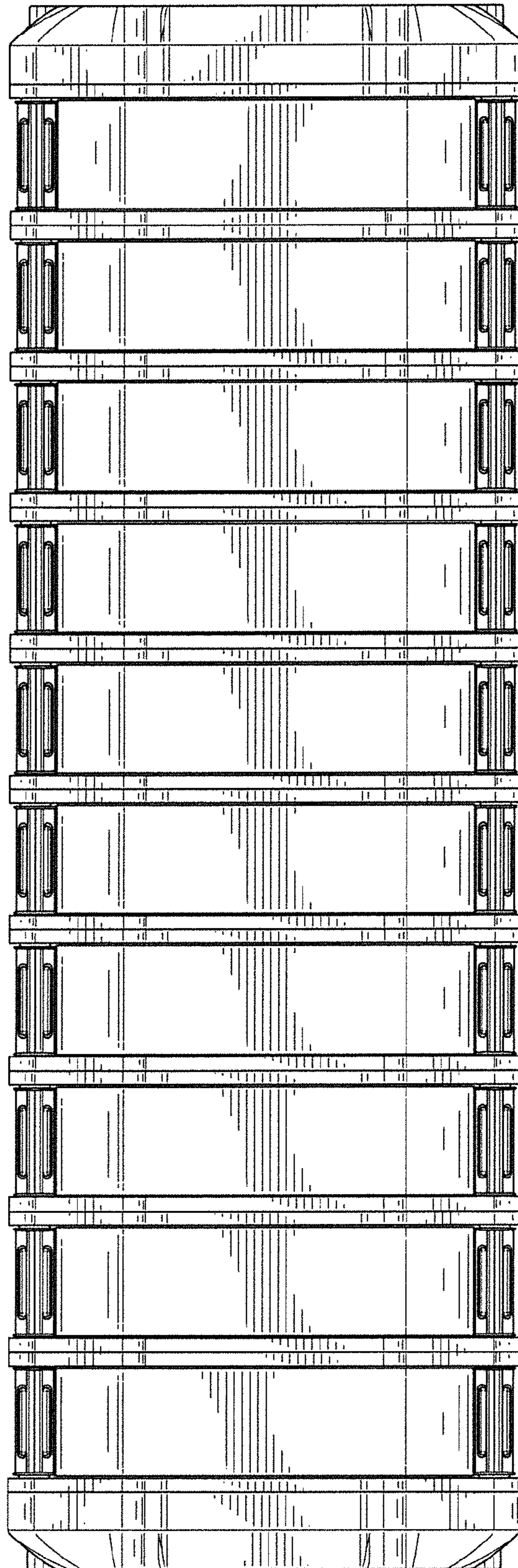


FIG. 8

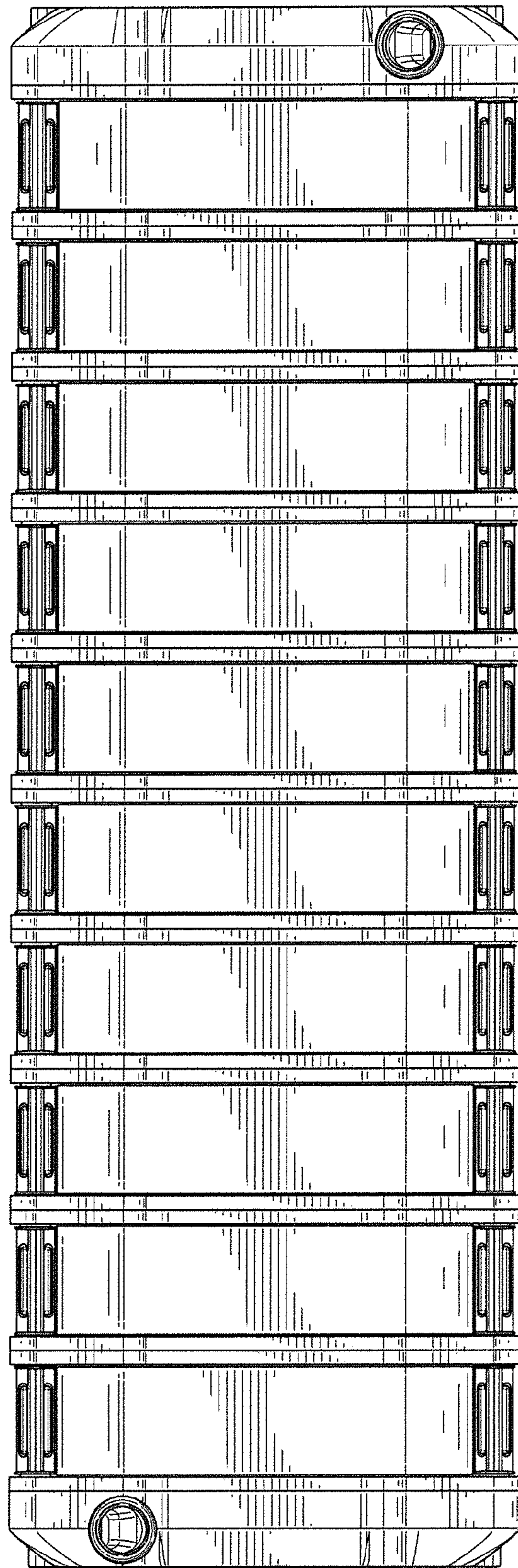


FIG. 9

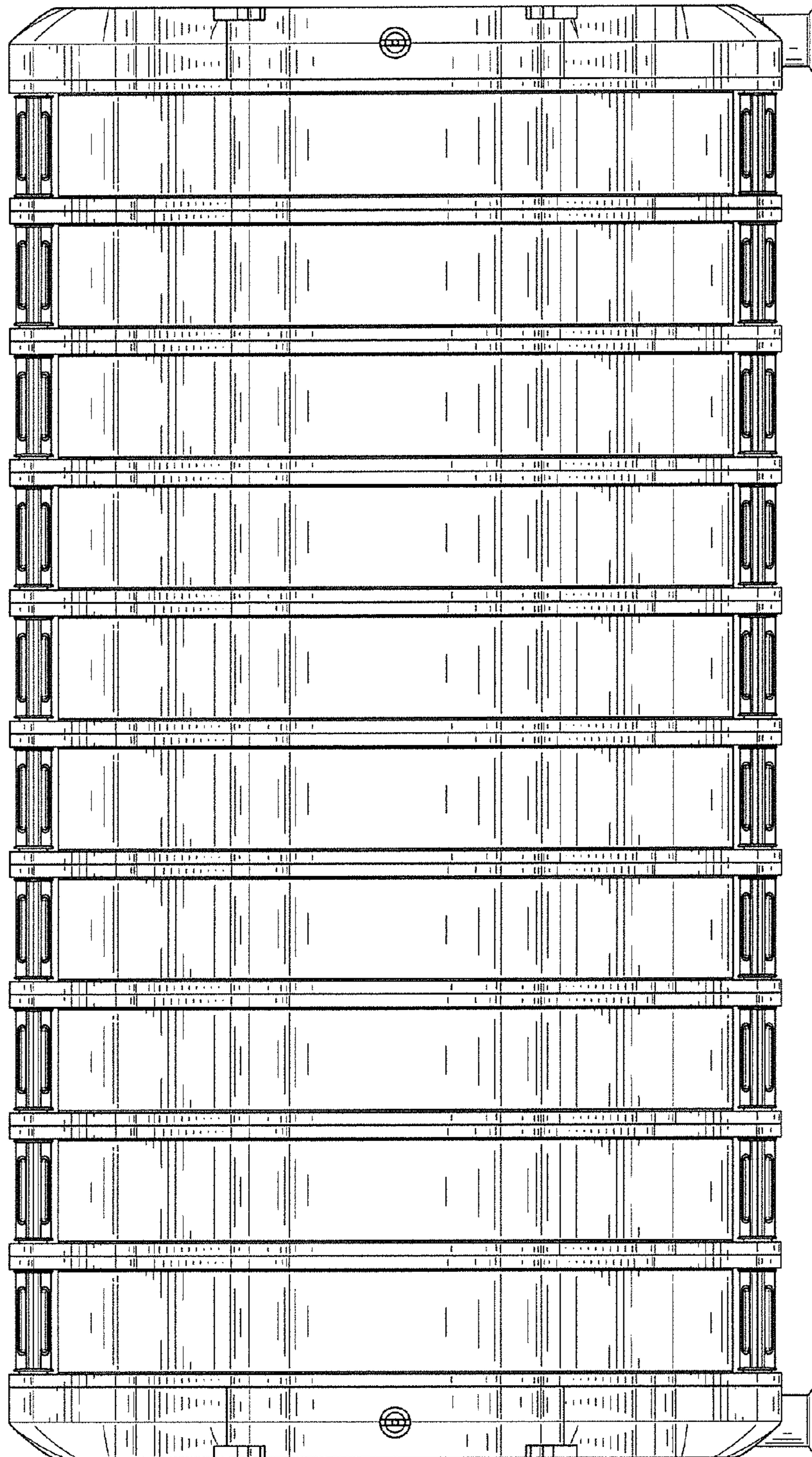


FIG. 10

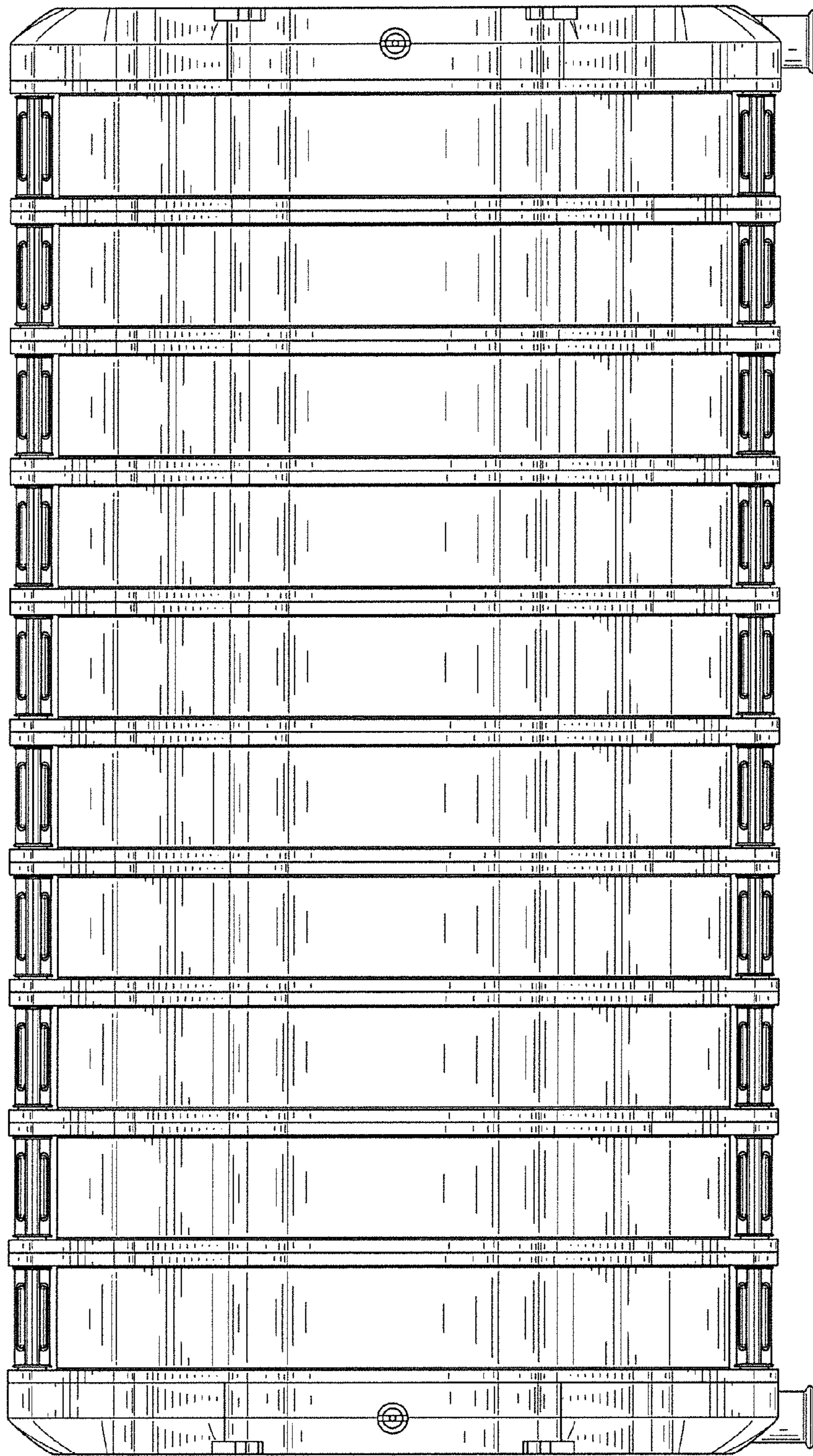


FIG. 11

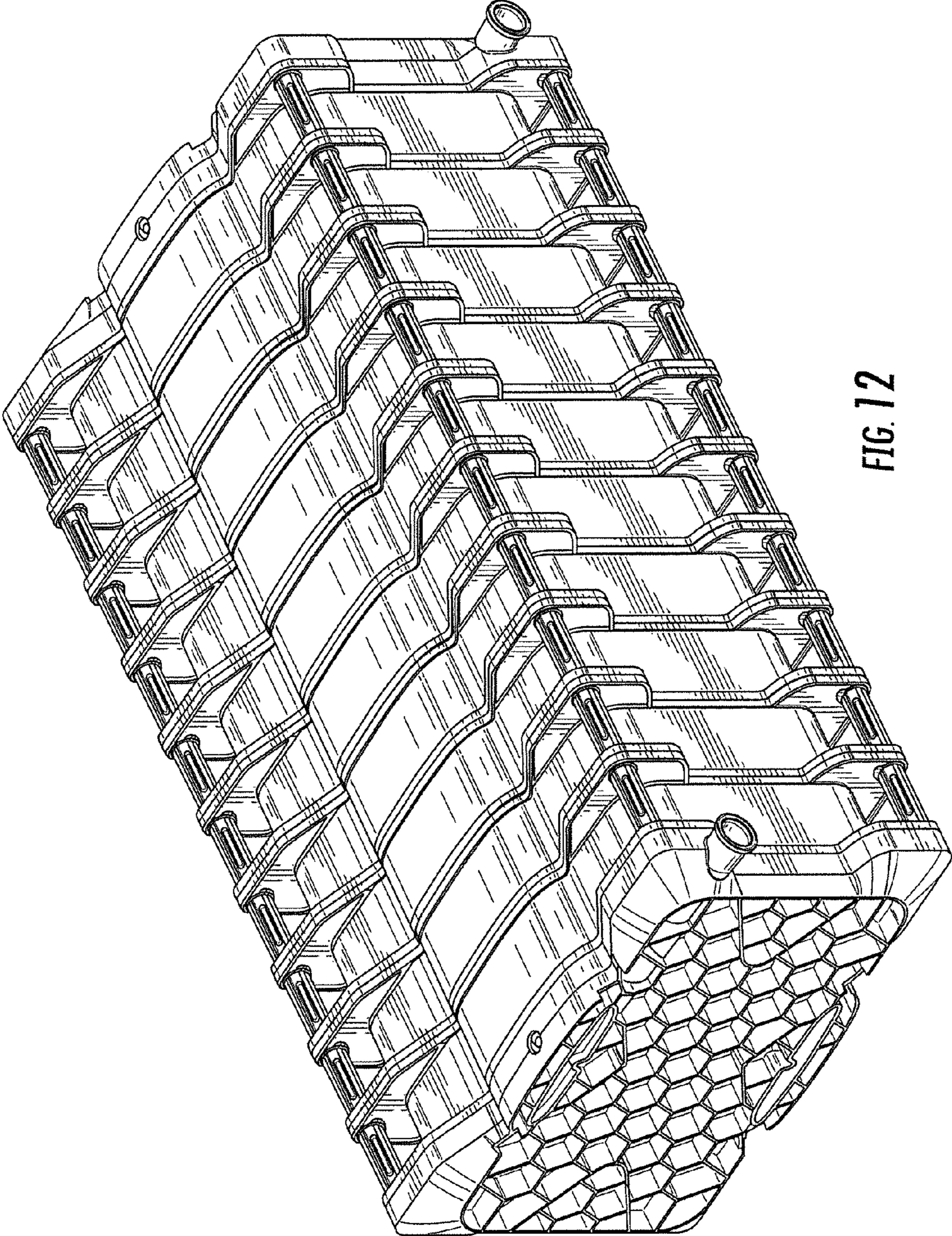
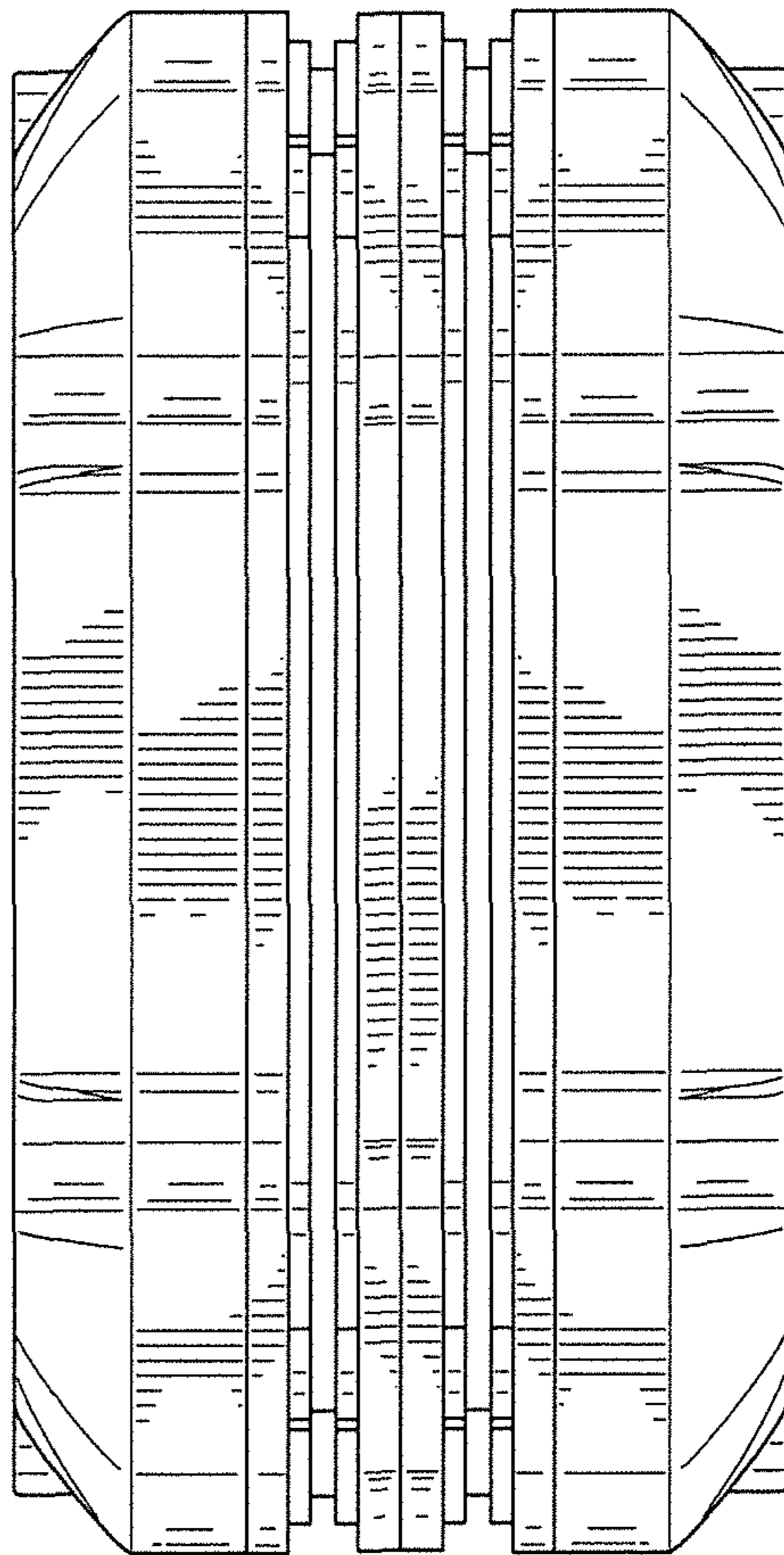


FIG. 12



**FIG. 13**

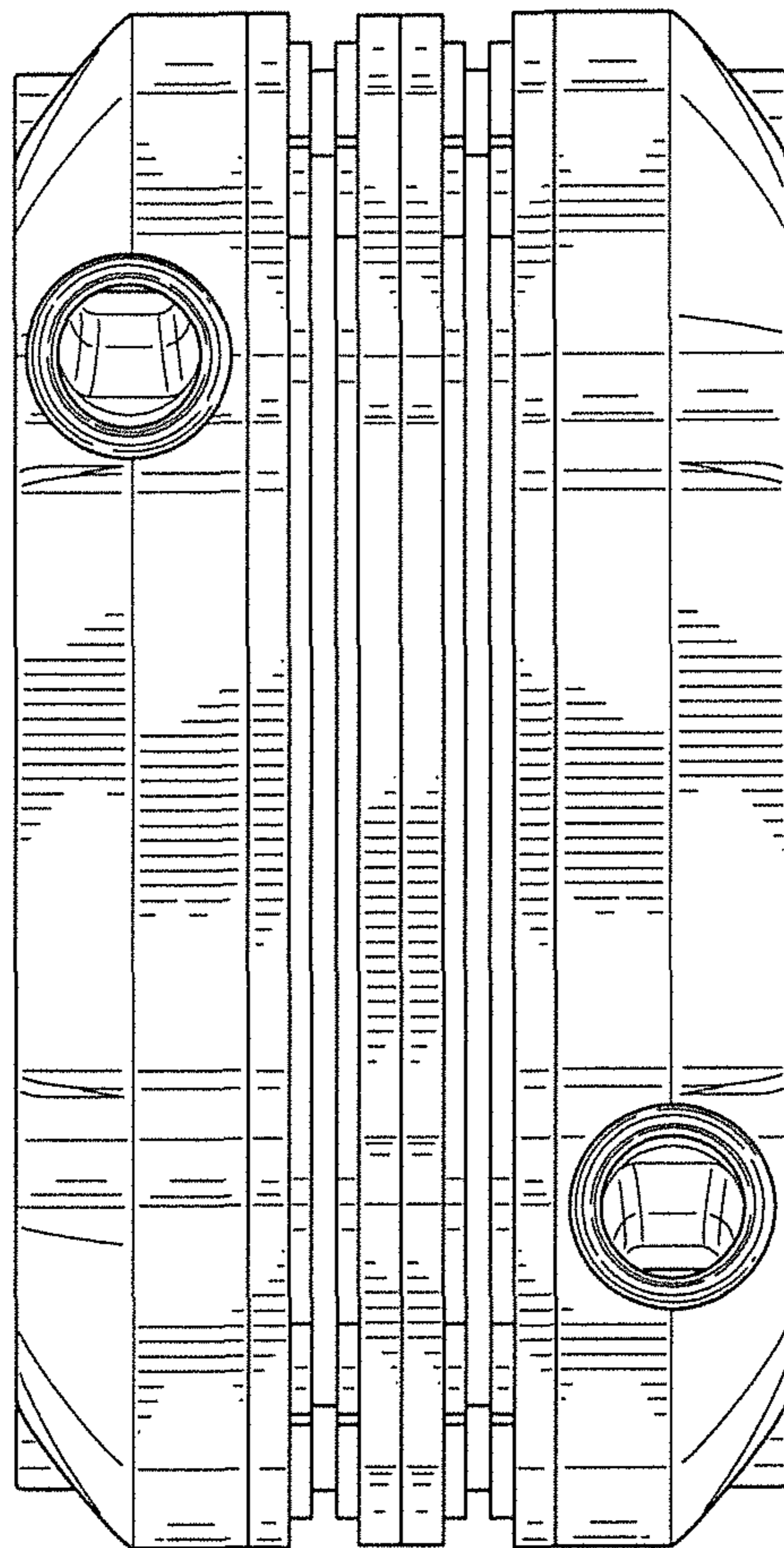


FIG. 14

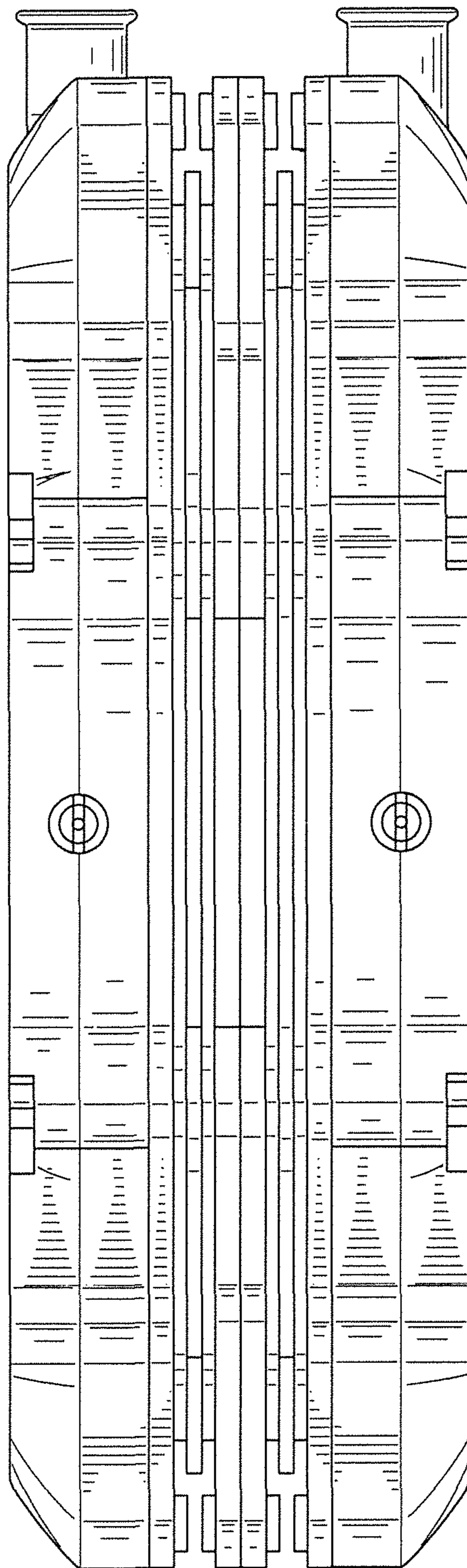


FIG. 15



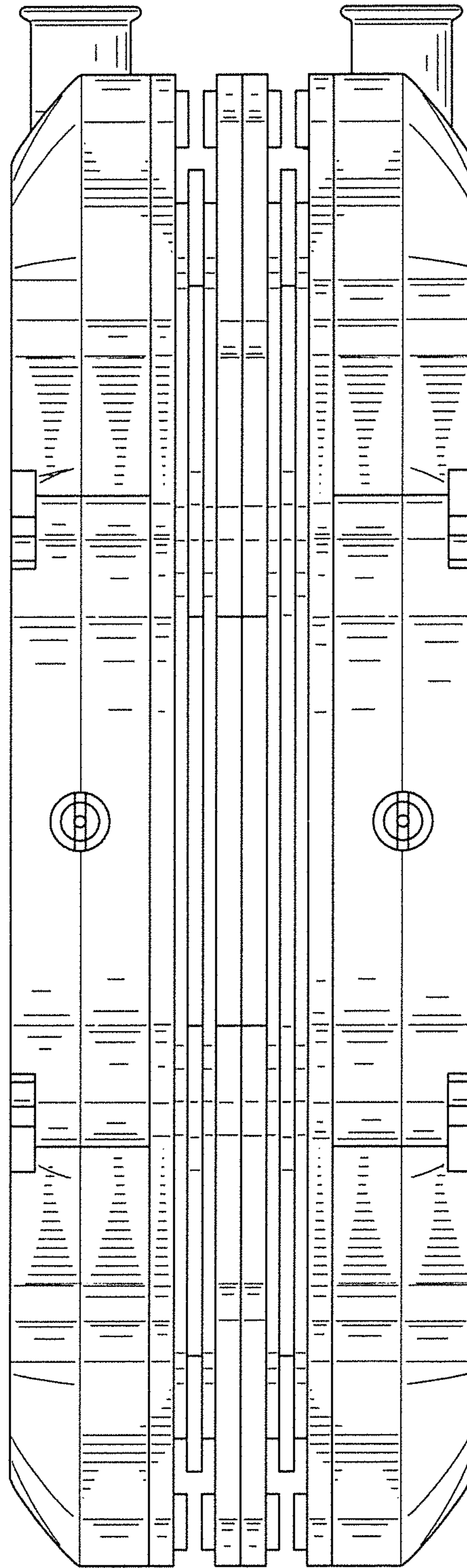


FIG. 16

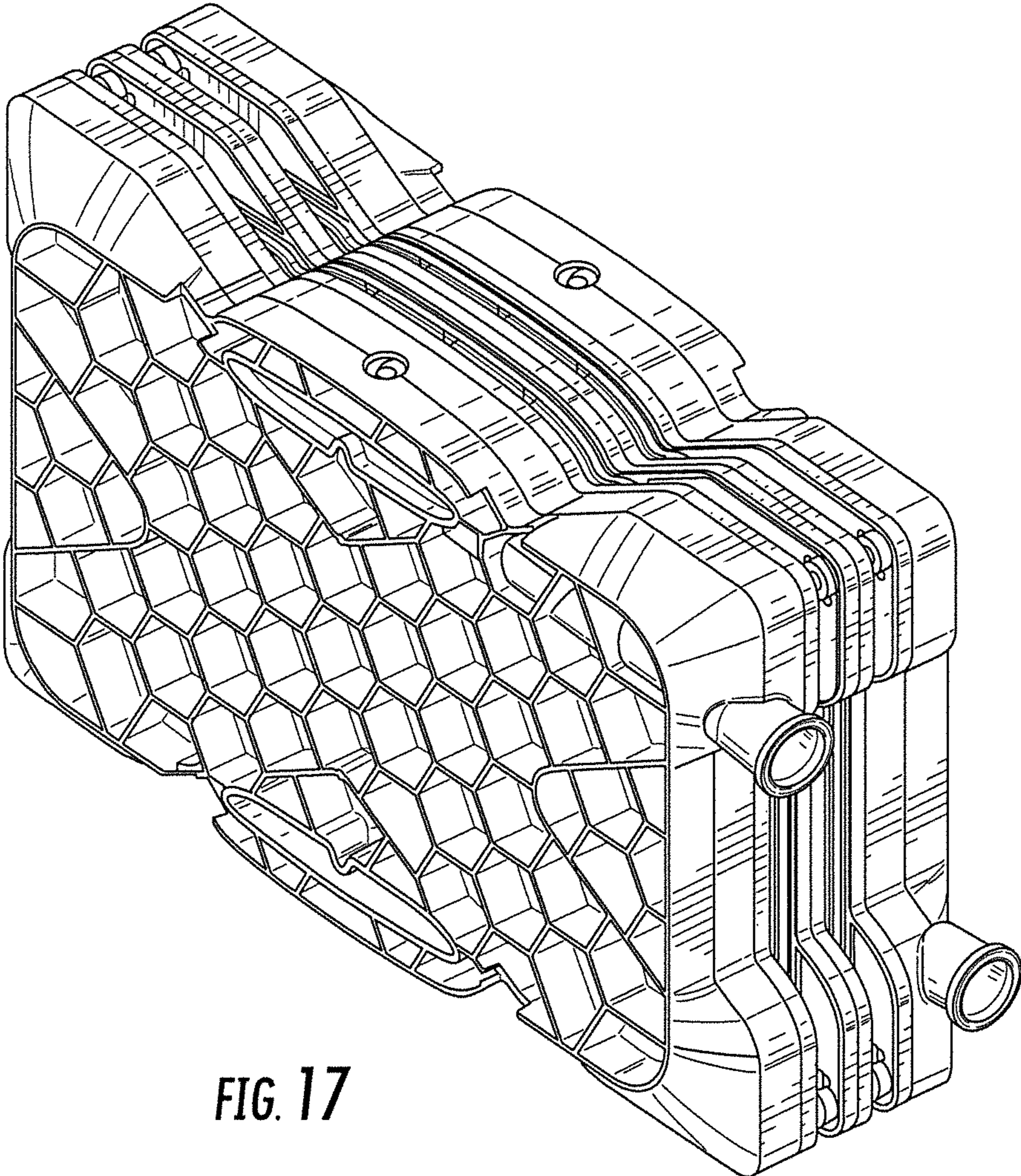


FIG. 17