



US00D740390S

(12) **United States Design Patent**  
**Soble et al.**

(10) **Patent No.:** **US D740,390 S**

(45) **Date of Patent:** **\*\* Oct. 6, 2015**

(54) **FLUID TANK**

(71) Applicant: **DIAMOND SHINE, INC.**, Wickliffe, OH (US)

(72) Inventors: **David Soble**, Solon, OH (US); **Scott Soble**, Solon, OH (US); **Derek Grace**, Reading, OH (US); **Brian L. Ashinger**, Cincinnati, OH (US)

(73) Assignee: **Diamond Shine, Inc.**, Wickliffe, OH (US)

(\*\*) Term: **15 Years**

(21) Appl. No.: **29/527,435**

(22) Filed: **May 19, 2015**

(51) **LOC (10) Cl.** ..... **23-01**

(52) **U.S. Cl.**  
USPC ..... **D23/202**

(58) **Field of Classification Search**  
USPC ..... D23/202; D10/96, 101; 141/98;  
73/49.2, 49.3; 220/565, 581, 585-586  
See application file for complete search history.

(56) **References Cited**

**U.S. PATENT DOCUMENTS**

3,174,338	A	3/1965	Bower et al.	
3,410,438	A	11/1968	Bartz	
D225,126	S *	11/1972	Coleman et al.	D10/101
D226,902	S *	5/1973	Evander	D23/202
4,131,438	A	12/1978	Debrotnic	
4,301,841	A	11/1981	Sandow	
D293,087	S *	12/1987	Grinde	D10/101
D293,655	S *	1/1988	Phillips et al.	D10/96
4,822,054	A	4/1989	Christner et al.	
4,924,923	A	5/1990	Boehmer et al.	
D331,094	S *	11/1992	Sterett	D23/202
5,320,147	A	6/1994	Jamrog	
5,385,180	A	1/1995	Wittman	

D387,295	S *	12/1997	Krikorian	D10/101
5,878,795	A	3/1999	Armellino	
5,950,688	A	9/1999	Langlois	
6,698,284	B1	3/2004	Evans	
7,574,897	B2 *	8/2009	Koike et al.	73/49.2
7,610,807	B2	11/2009	Skinner	
D647,168	S *	10/2011	Lerner et al.	D23/202
D647,996	S *	11/2011	Griffin	D23/200
D652,479	S *	1/2012	Theiss	D23/202
8,756,972	B2	6/2014	Murnane, Jr. et al.	
D710,968	S *	8/2014	Colbert	D23/202
D724,177	S *	3/2015	Lee et al.	D23/202
2011/0011891	A9	1/2011	Hettinga	

**FOREIGN PATENT DOCUMENTS**

GB 2057283 B 4/1981

\* cited by examiner

*Primary Examiner* — Robin V Webster

(74) *Attorney, Agent, or Firm* — Taft Stettinius & Hollister LLP; Stephen F. Rost

(57) **CLAIM**

The ornamental design for a fluid tank, as shown and described.

**DESCRIPTION**

FIG. 1 is a front perspective view of a fluid tank;  
FIG. 2 is a rear perspective view thereof;  
FIG. 3 is a front view thereof;  
FIG. 4 is a rear view thereof;  
FIG. 5 is a left side view thereof;  
FIG. 6 is a right side view thereof;  
FIG. 7 is a top view thereof; and,  
FIG. 8 is a bottom view thereof.  
The broken lines shown are included for the purposes of illustrating the unclaimed portion of the article and form no part of the claimed design.

**1 Claim, 5 Drawing Sheets**

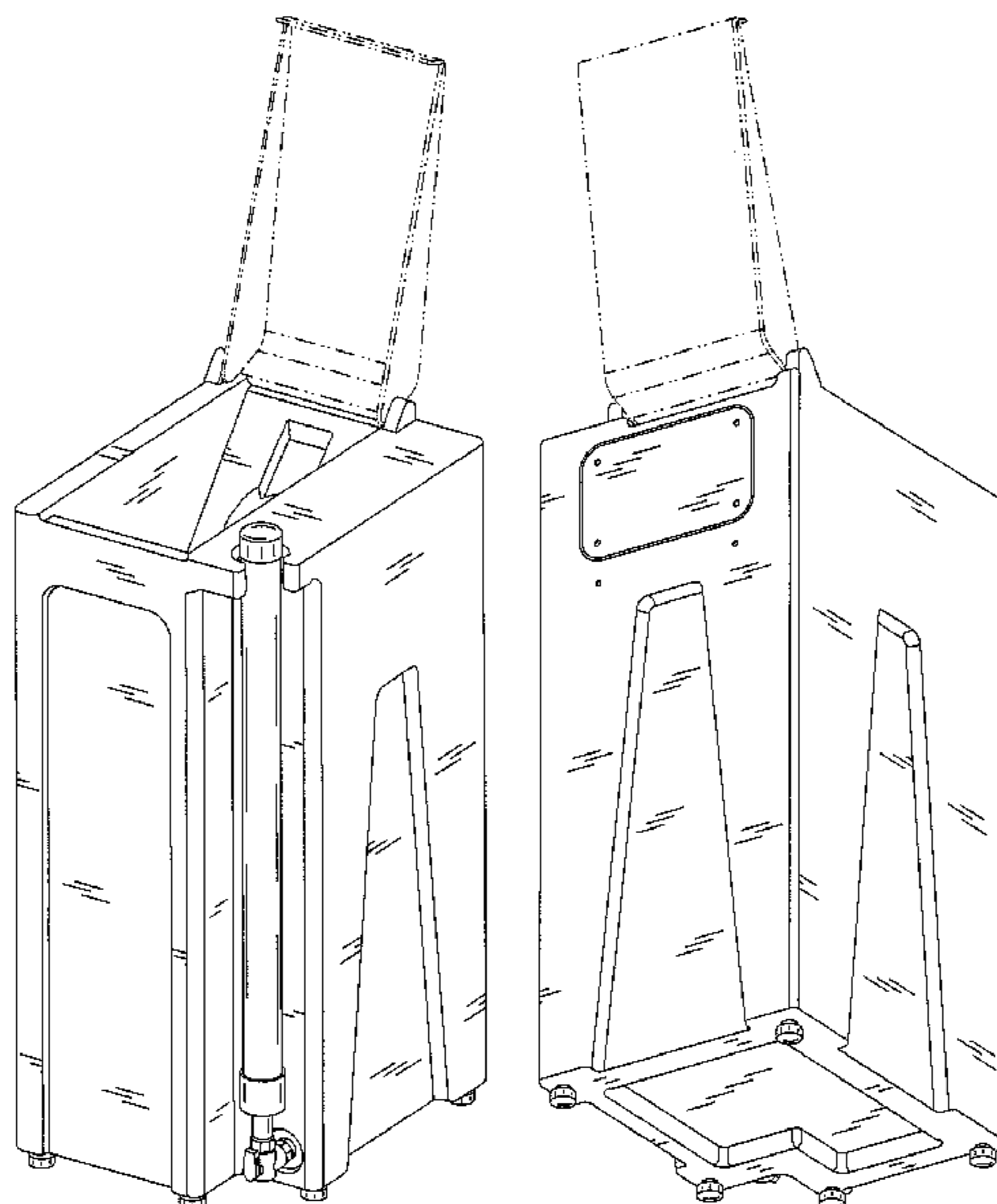


Fig. 1

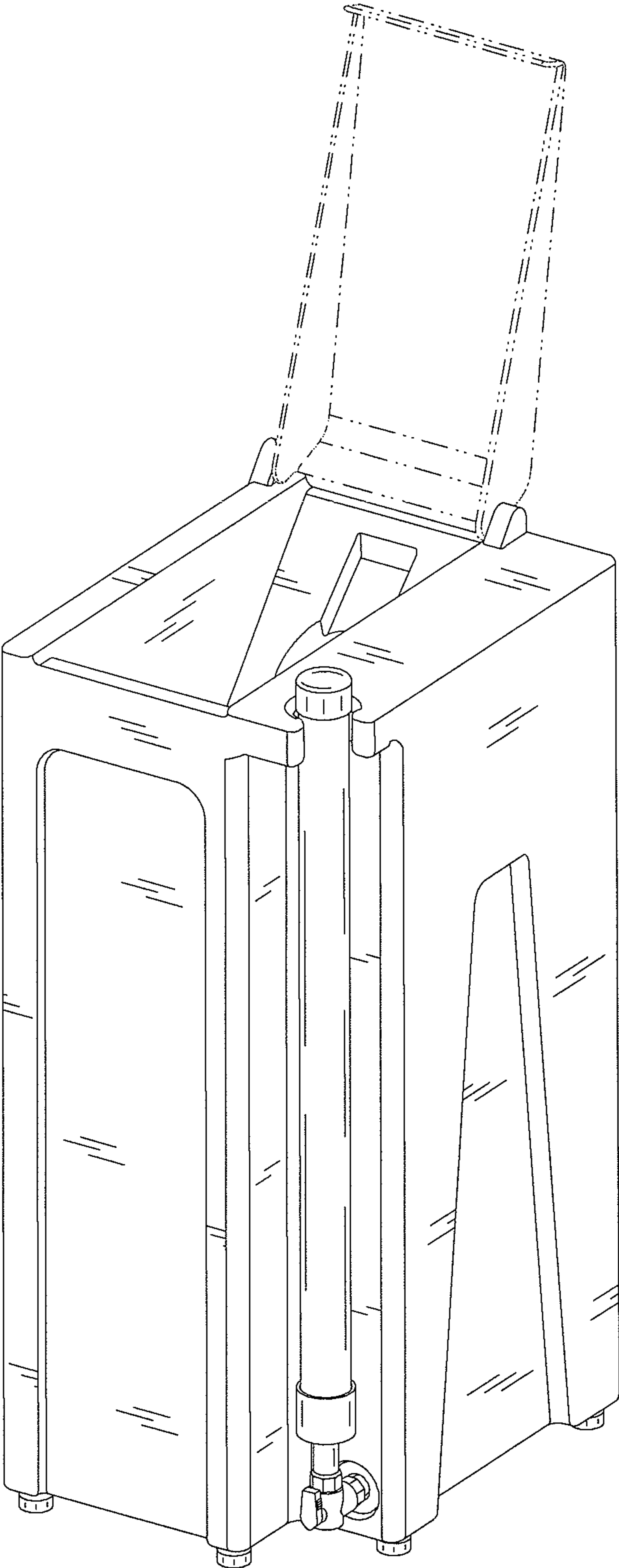
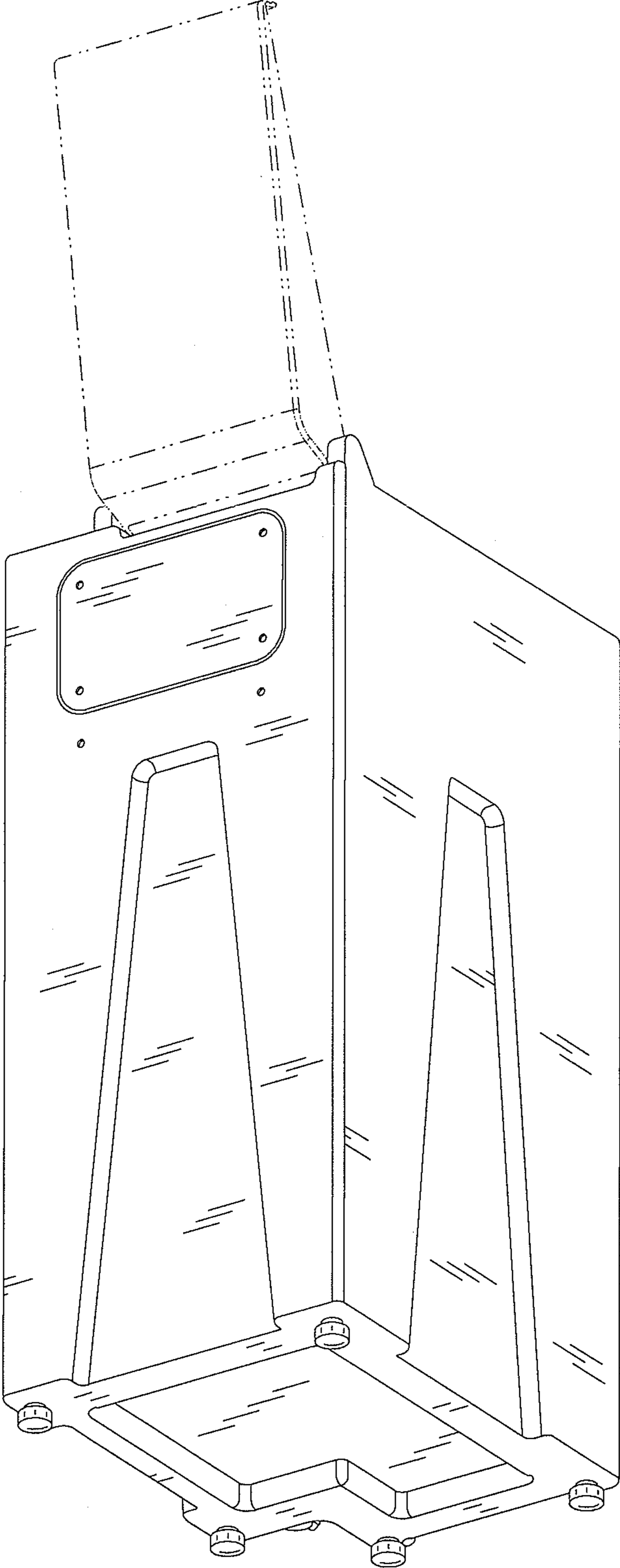


Fig. 2



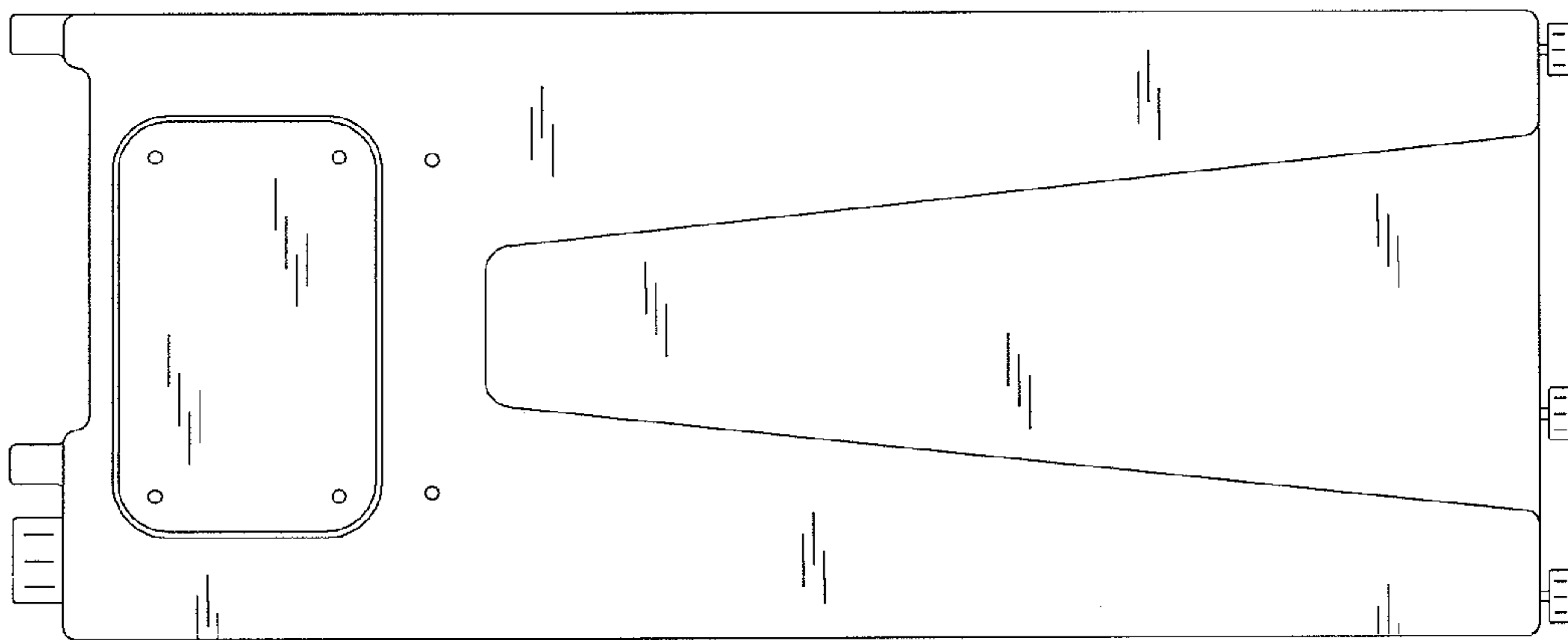


Fig. 4

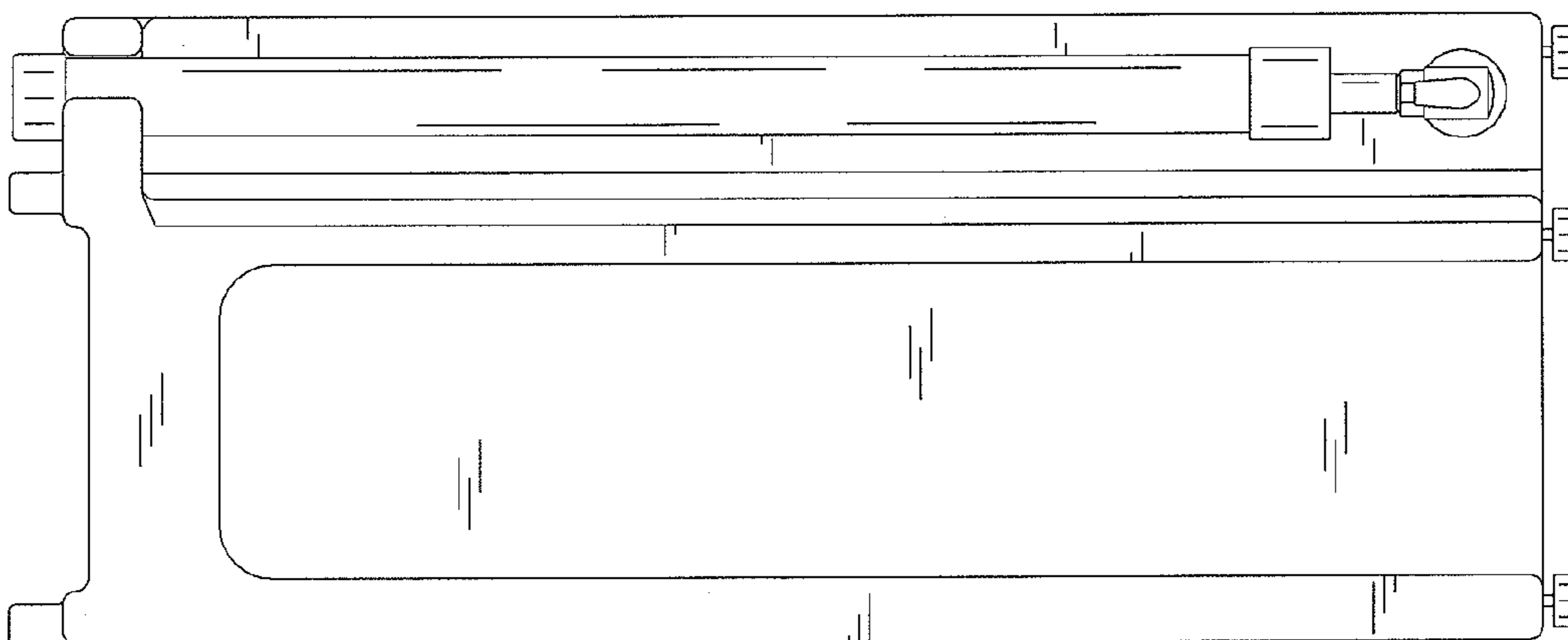


Fig. 3

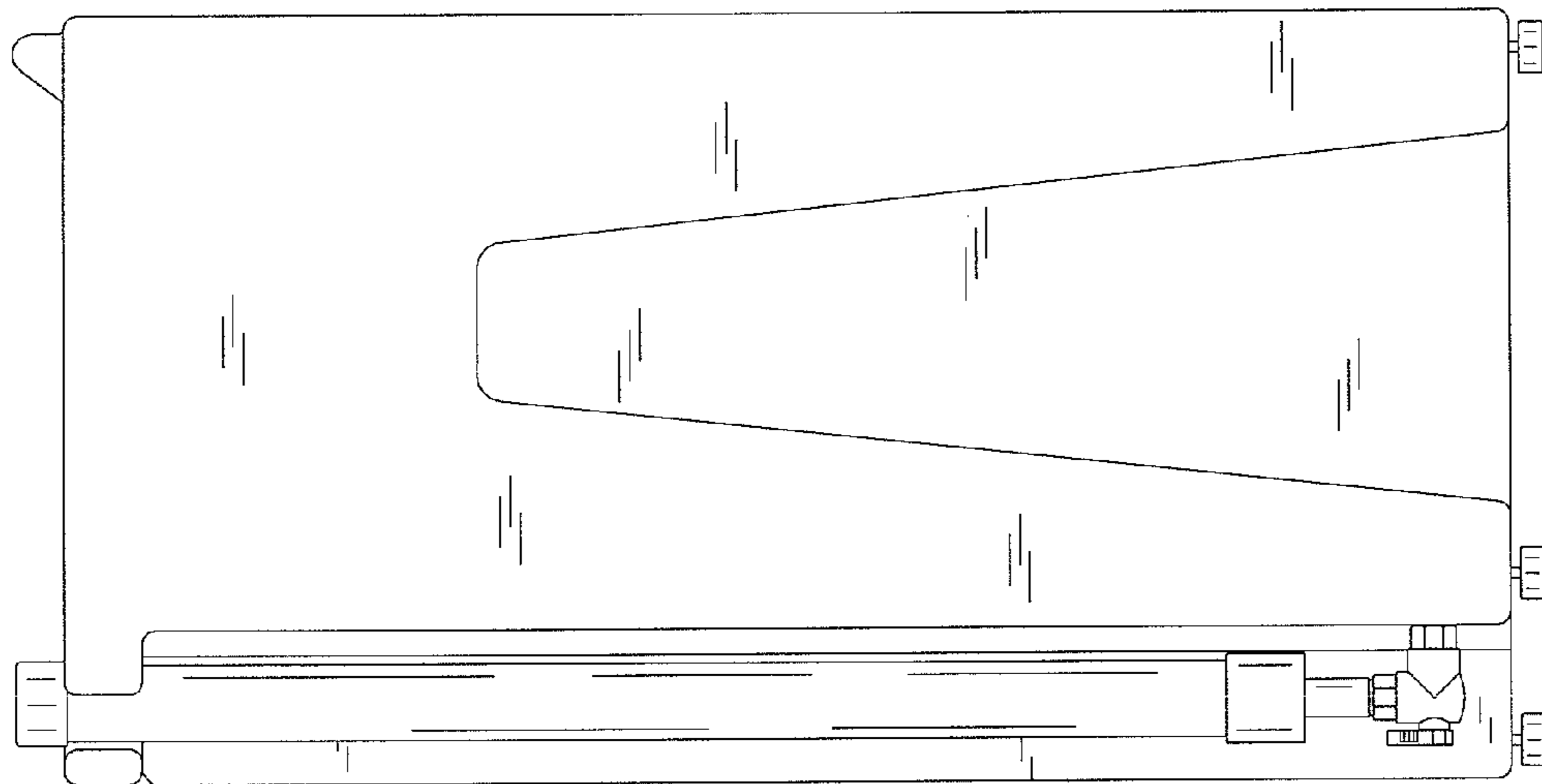


Fig. 6

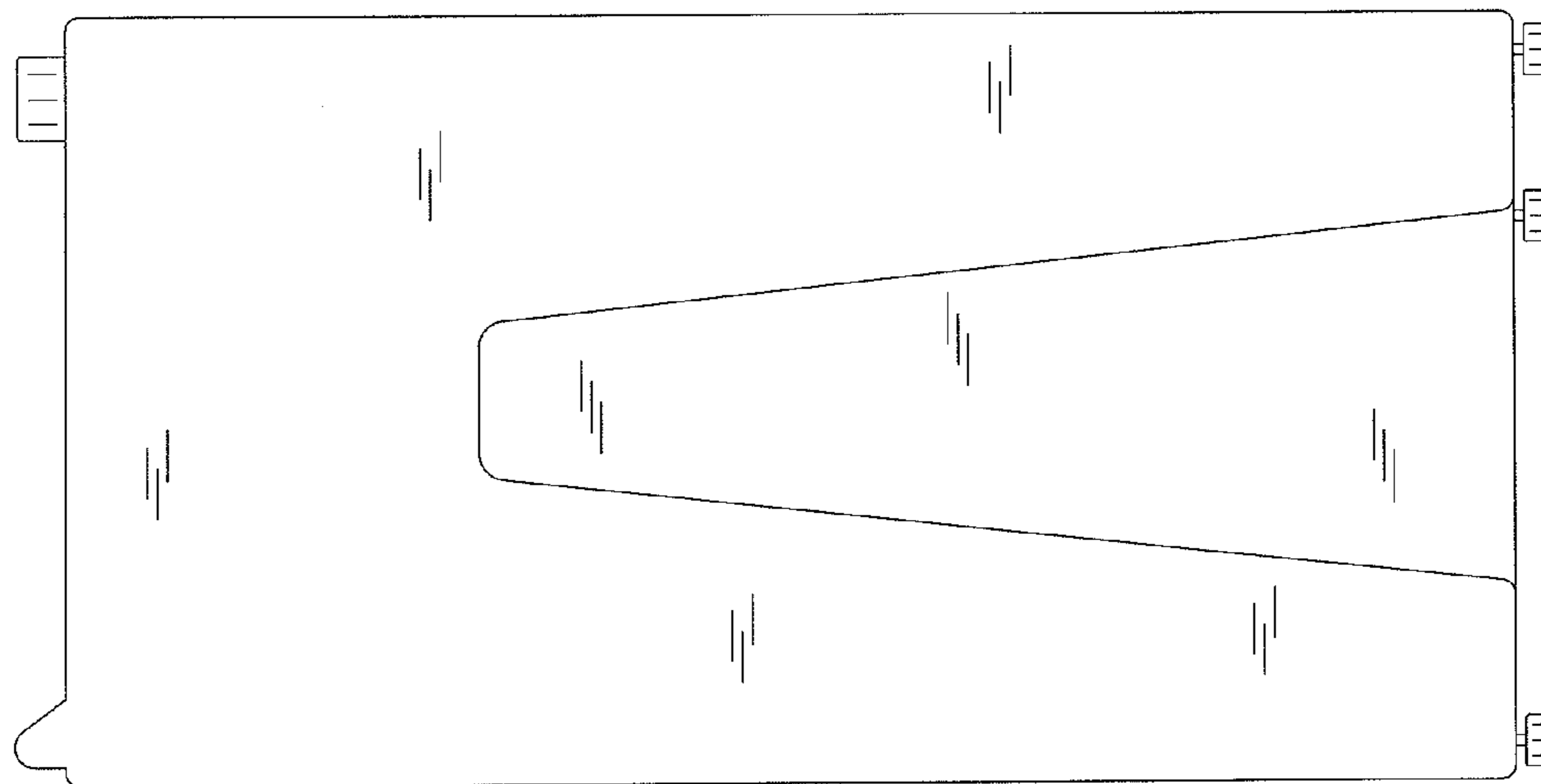


Fig. 5

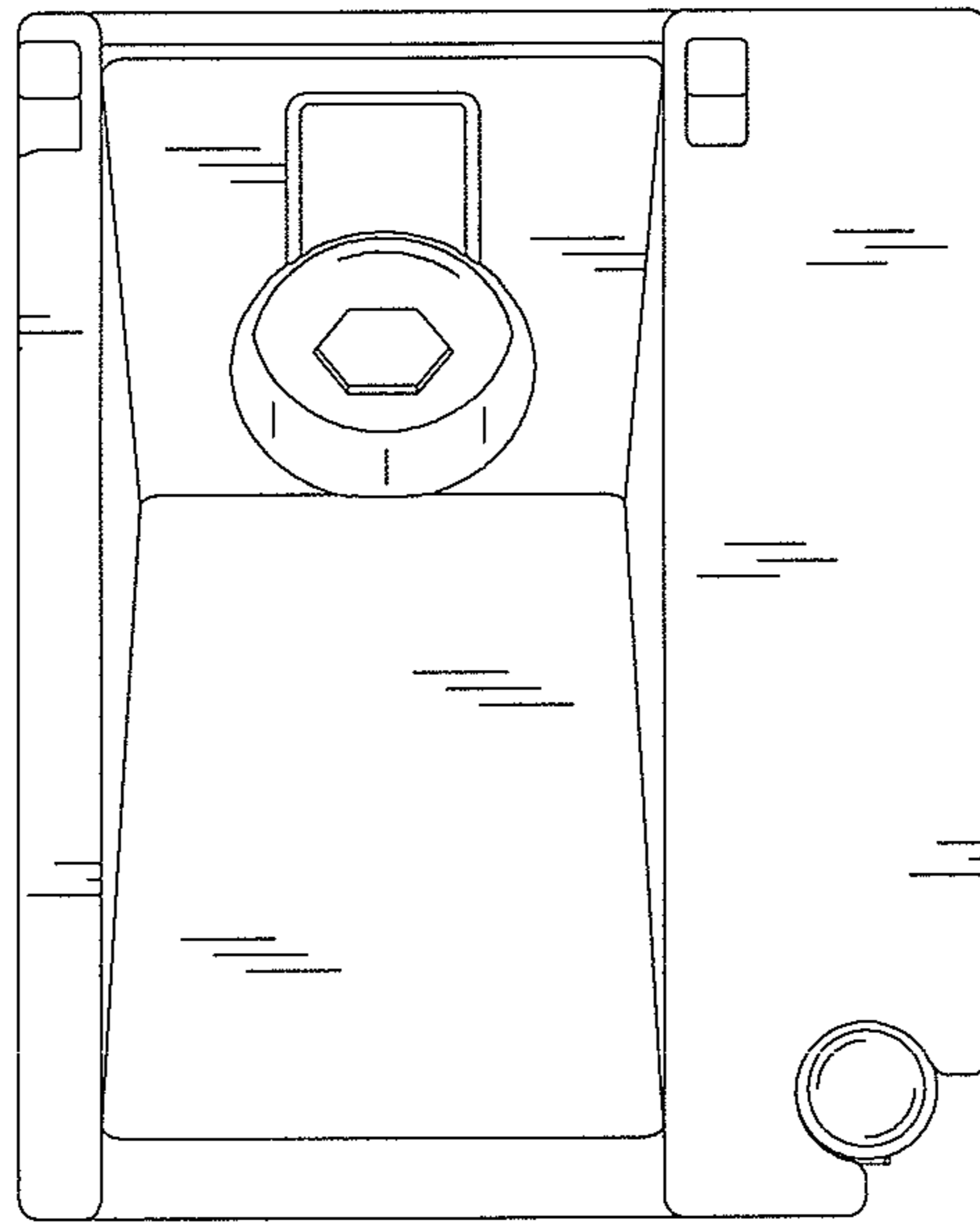


Fig. 7

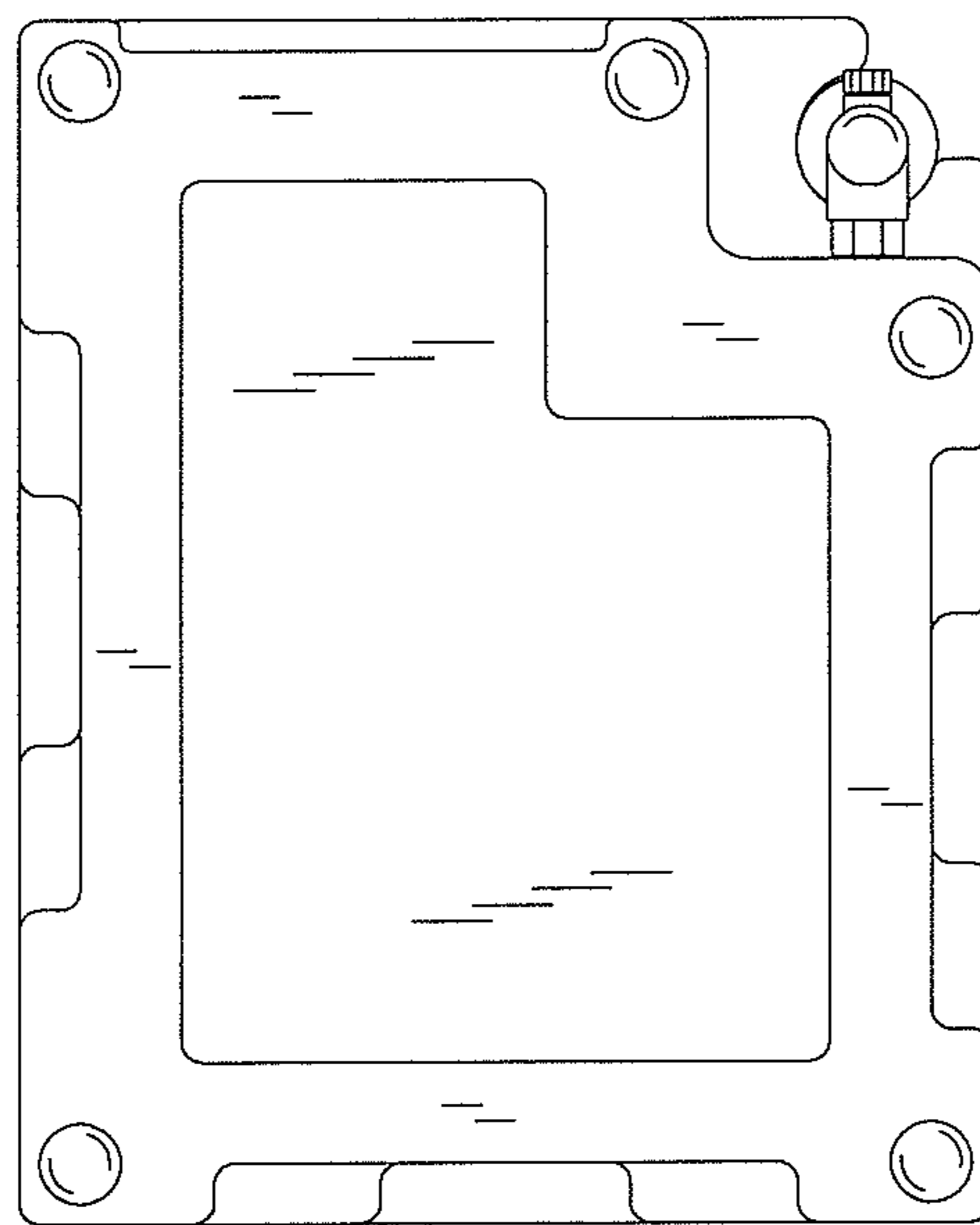


Fig. 8