



US00D740388S

(12) **United States Design Patent**  
**Klecker et al.**

(10) **Patent No.:** **US D740,388 S**

(45) **Date of Patent:** **\*\* Oct. 6, 2015**

(54) **LASER DEVICE**

(71) Applicant: **Crimson Trace Corporation**,  
Wilsonville, OR (US)

(72) Inventors: **Glenn Klecker**, Silverton, OR (US);  
**William Johnston**, Sherwood, OR (US);  
**Fred Karl**, Tigard, OR (US)

(73) Assignee: **Crimson Trace Corporation**,  
Wilsonville, OR (US)

(\*\*) Term: **14 Years**

(21) Appl. No.: **29/483,598**

(22) Filed: **Feb. 28, 2014**

(51) **LOC (10) Cl.** ..... **22-01**

(52) **U.S. Cl.**  
USPC ..... **D22/109**

(58) **Field of Classification Search**  
USPC ..... D22/108–109; 42/111–128; 89/1.61,  
89/200–204; 356/247–256  
CPC ..... F41G 1/00; F41G 1/01; F41G 1/02;  
F41G 1/06; F41G 1/065; F41G 1/08; F41G  
1/10; F41G 1/12; F41G 1/14; F41G 1/30;  
F41G 1/32; F41G 1/38; F41G 1/40; F41G  
1/42; F41G 1/44; F41G 1/46; F41G 1/383;  
F41G 1/387; F41G 1/393; F41G 3/00; F41G  
3/005; F41G 3/02; F41G 3/04; F41G 3/06;  
F41G 3/14; F41G 11/002; F41G 11/003;  
F41G 11/004; F41G 11/005

See application file for complete search history.

(56) **References Cited**

U.S. PATENT DOCUMENTS

2002/0194767	A1 *	12/2002	Houde-Walter et al. ....	42/114
2010/0170129	A1 *	7/2010	Curry .....	42/66
2010/0175297	A1 *	7/2010	Speroni .....	42/114
2012/0047787	A1 *	3/2012	Curry .....	42/115

\* cited by examiner

*Primary Examiner* — Michael A Pratt

(74) *Attorney, Agent, or Firm* — Schwabe, Williamson &  
Wyatt, P.C.

(57) **CLAIM**

I claim an ornamental design for a laser device, as shown and  
described.

**DESCRIPTION**

FIG. 1 is a perspective view of a laser device, showing my new  
design;

FIG. 2 is a front view thereof;

FIG. 3 is a rear view thereof;

FIG. 4 is a right side view thereof;

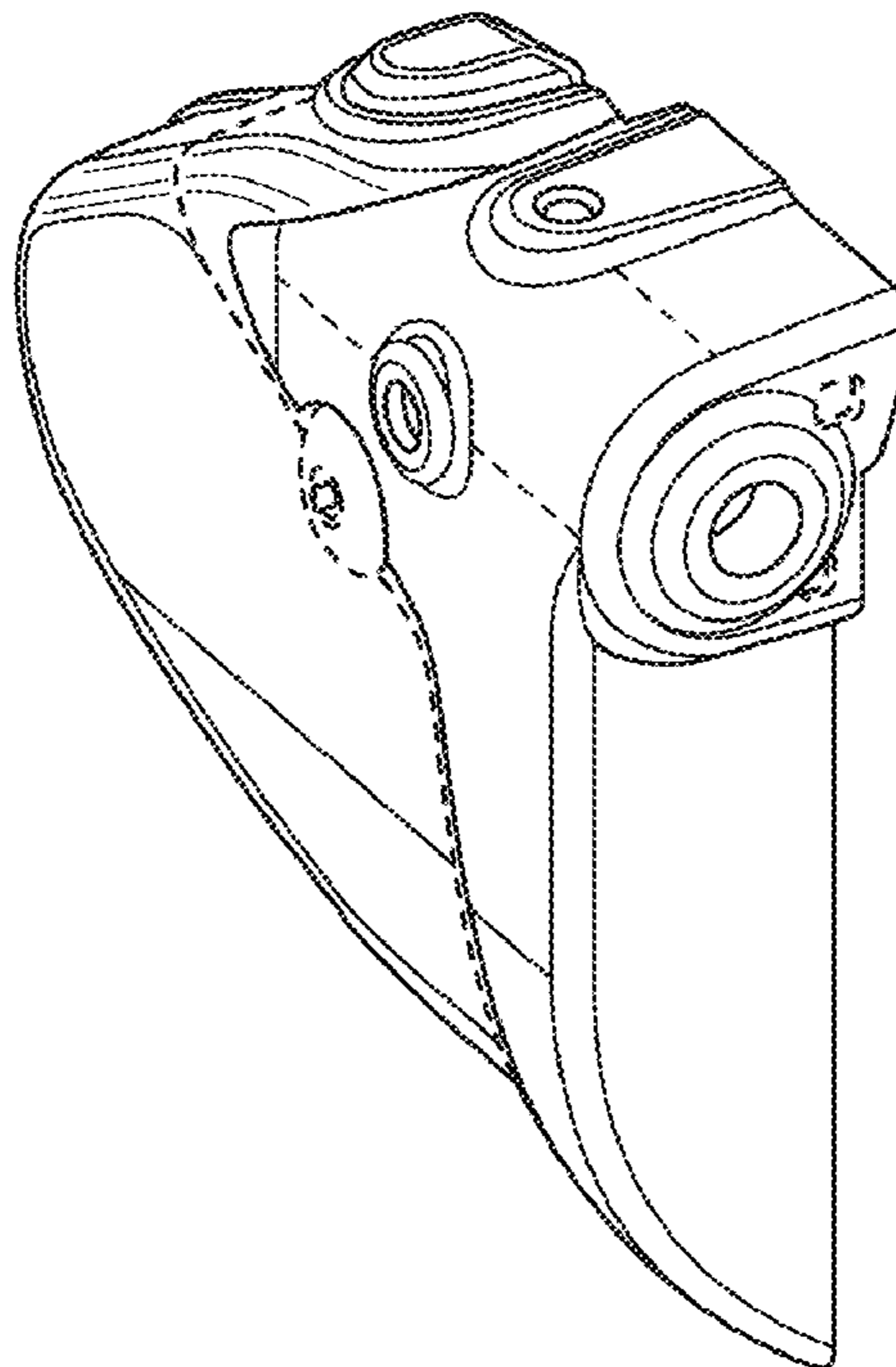
FIG. 5 is a left side view thereof;

FIG. 6 is a top view thereof; and,

FIG. 7 is a bottom view thereof.

The dashed lines are included for illustrating interior and/or  
environmental structures and form no part of the claimed  
design.

**1 Claim, 5 Drawing Sheets**



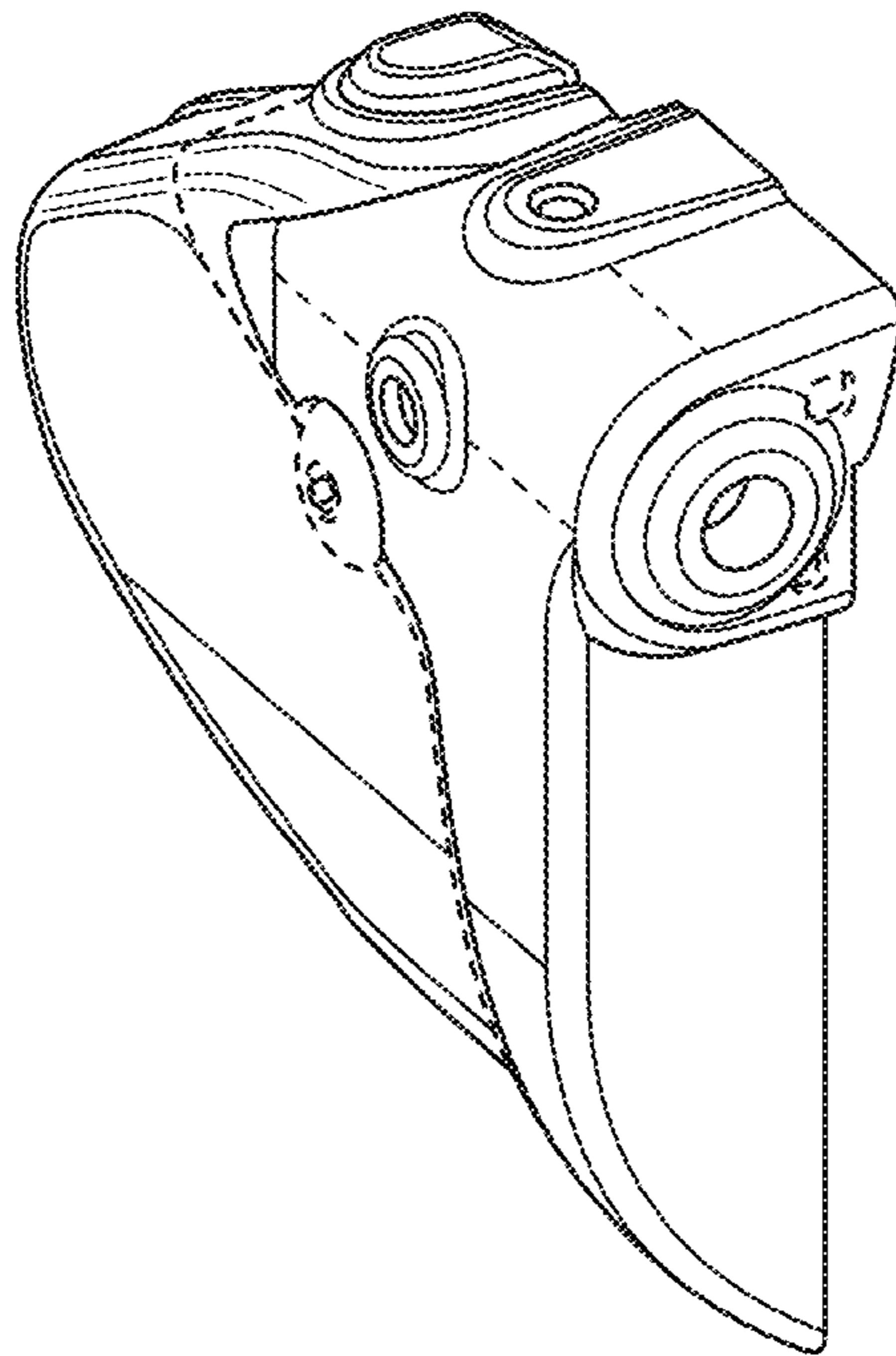


FIG. 1

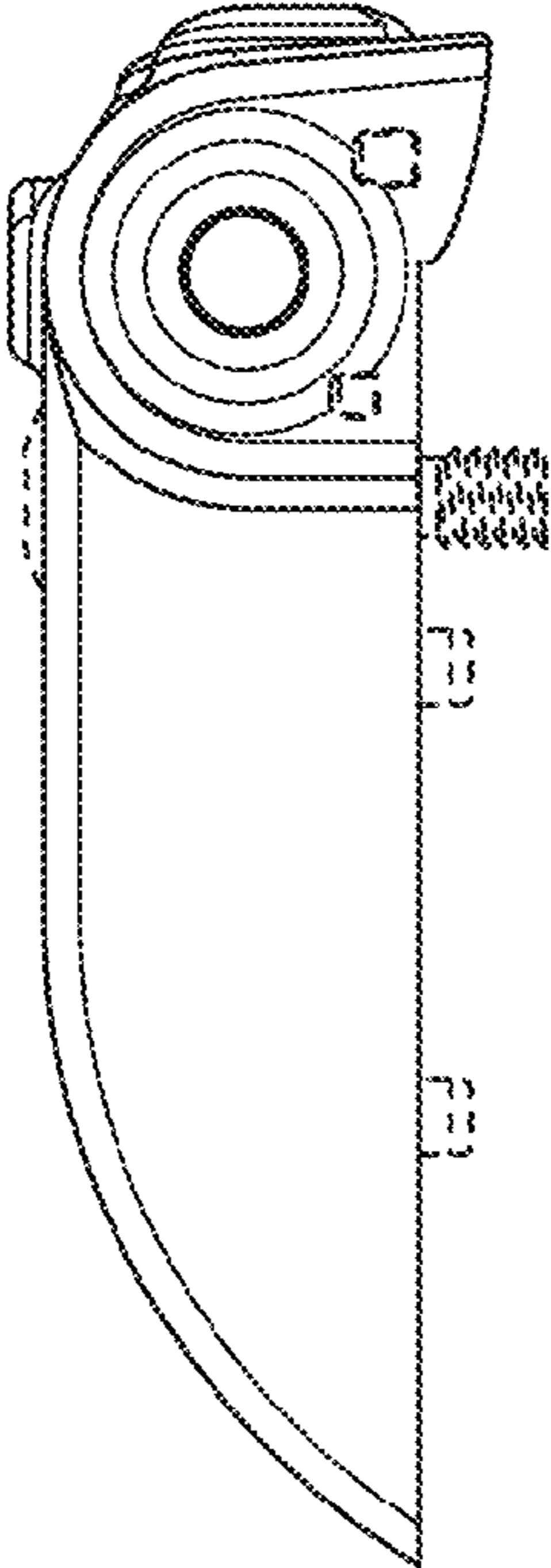


FIG. 2

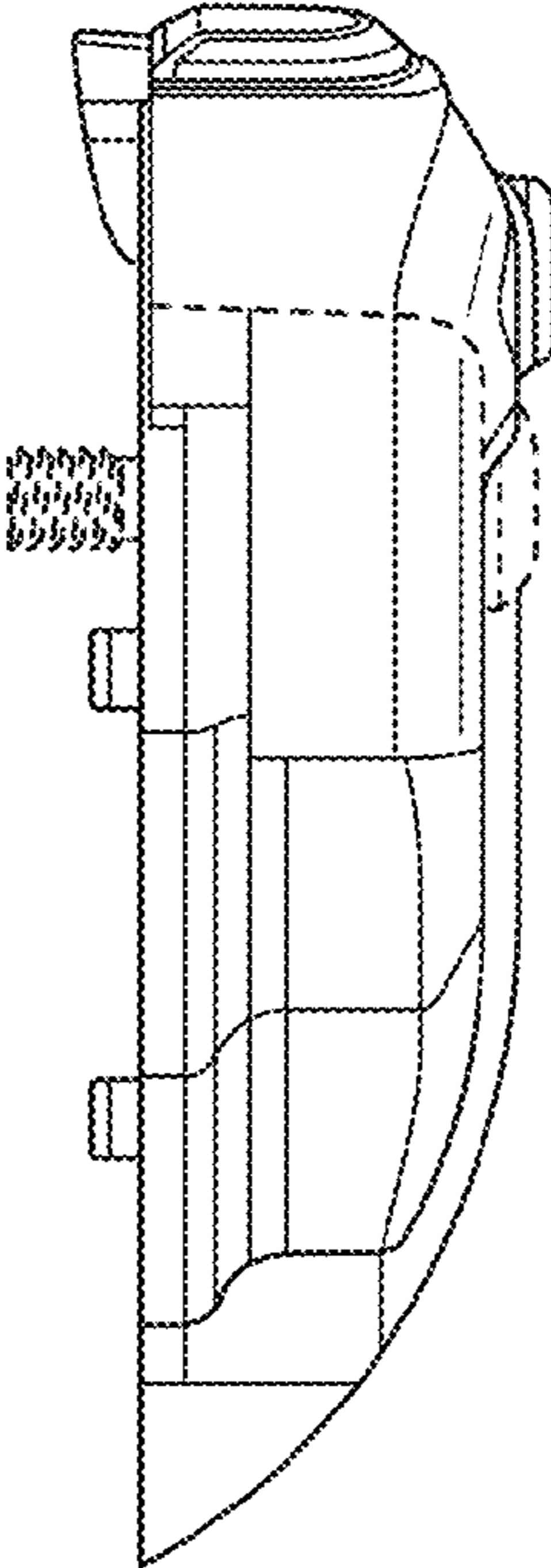


FIG. 3

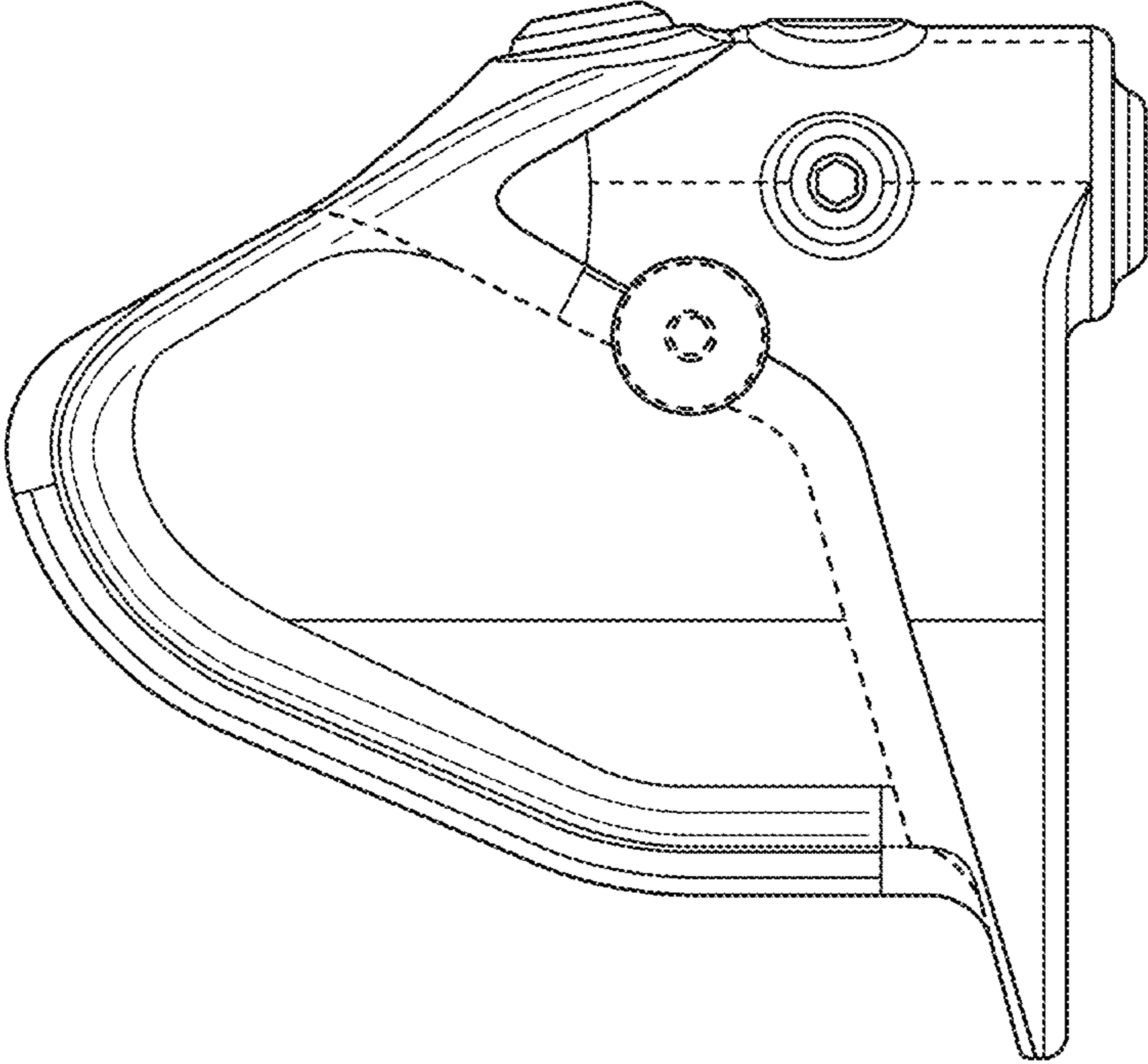


FIG. 4

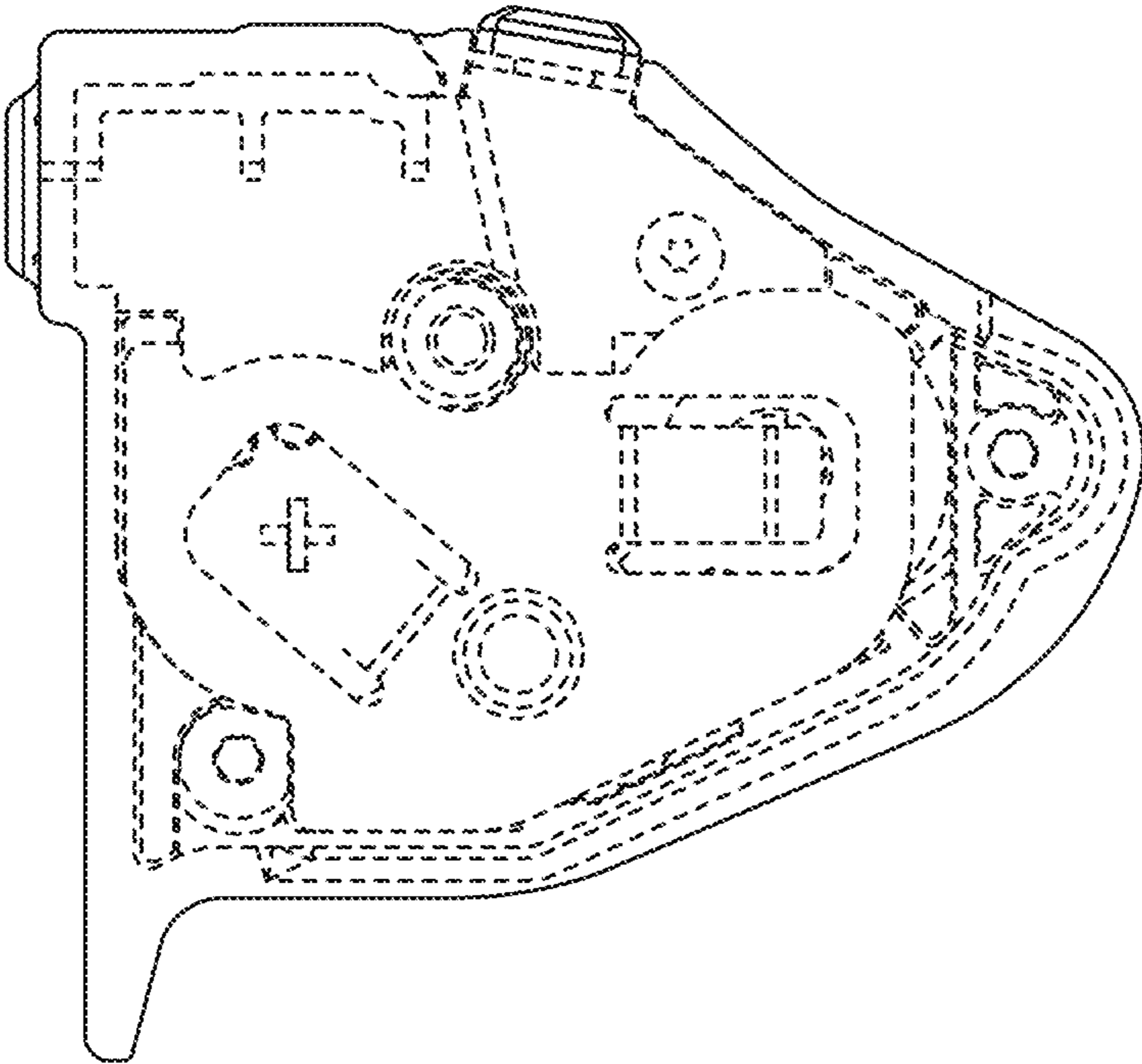


FIG. 5

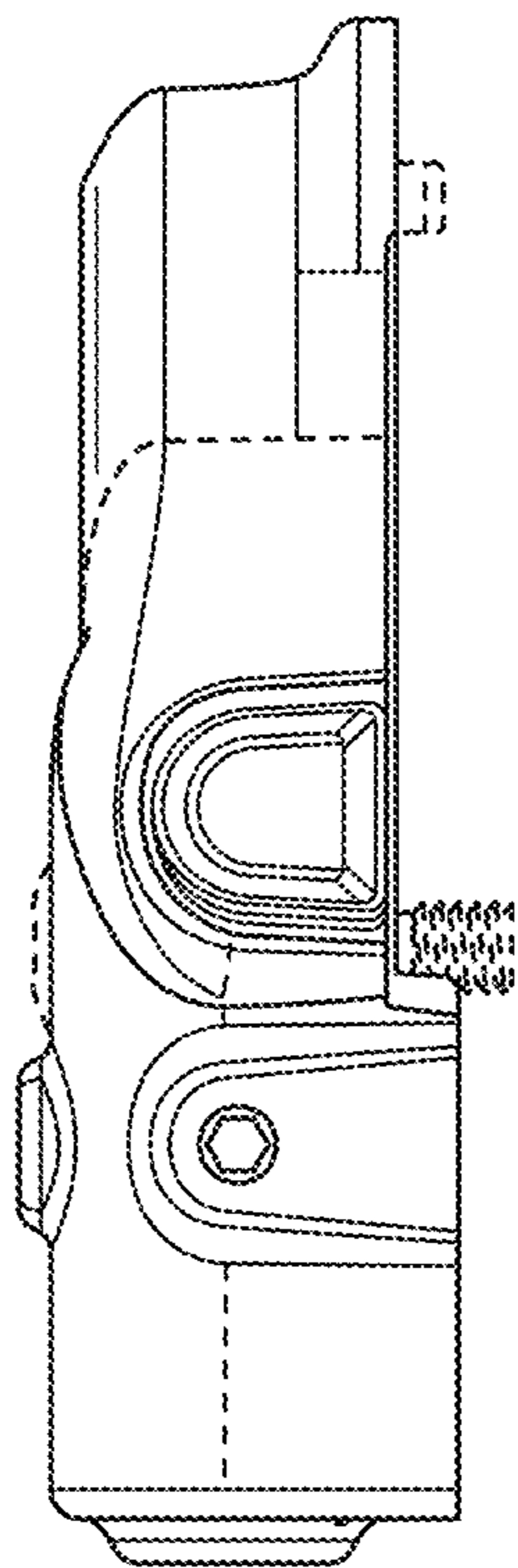


FIG. 6

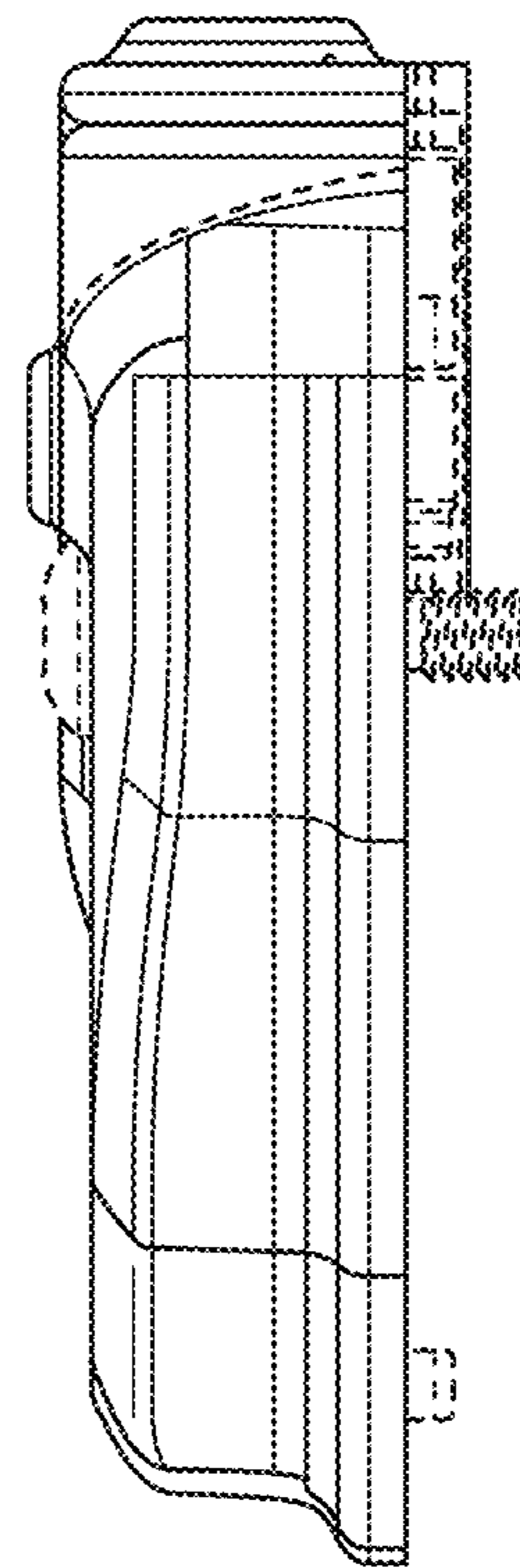


FIG. 7