



US00D740385S

(12) **United States Design Patent**
Bartow et al.

(10) **Patent No.:** **US D740,385 S**

(45) **Date of Patent:** **** Oct. 6, 2015**

(54) **SWIM NOODLE**

(71) Applicants: **Davis K. Bartow**, Greenville, SC (US);
Douglas H. Bartow, Greenville, SC (US)

(72) Inventors: **Davis K. Bartow**, Greenville, SC (US);
Douglas H. Bartow, Greenville, SC (US)

(**) Term: **14 Years**

(21) Appl. No.: **29/462,961**

(22) Filed: **Aug. 11, 2013**

(51) **LOC (10) Cl.** **21-03**

(52) **U.S. Cl.**
USPC **D21/803**

(58) **Field of Classification Search**
USPC D21/769-770, 801, 803, 809; 114/253,
114/345-346; 441/35, 66, 74, 40-42,
441/129-132; 472/128-129; D12/5, 6, 316;
D6/392, 595, 596, 601, 604, 605;
D1/125-128
CPC B63B 35/74; B63B 35/76; B63B 35/78;
B63B 35/79; B63B 35/7906; B63B 35/7909;
B63B 35/7913; B63B 35/7916; B63B 35/792;
B63B 35/7923; B63B 35/7926; B63B 35/793
See application file for complete search history.

(56) **References Cited**

U.S. PATENT DOCUMENTS

3,274,624	A	9/1966	Noerdinger	
3,992,739	A	11/1976	Stevens et al.	
4,472,225	A	9/1984	Bimpson	
4,609,812	A *	9/1986	Drexler	235/487
4,768,456	A	9/1988	Jones et al.	
5,009,413	A *	4/1991	Allen	472/128
5,685,752	A	11/1997	Fulton, Jr.	
5,779,512	A	7/1998	Rupert	
6,027,393	A	2/2000	O'Rourke	
6,056,613	A	5/2000	Pike	

6,106,349	A	8/2000	Motosko	
6,132,276	A	10/2000	Leemon	
6,182,580	B1	2/2001	Barrett et al.	
6,241,152	B1 *	6/2001	Fukasawa	235/449
6,494,339	B1	12/2002	Engelhard et al.	
6,497,919	B1	12/2002	Hartman	
6,554,677	B2	4/2003	Leemon	
6,615,762	B1	9/2003	Scott	
6,790,112	B2	9/2004	Kirk	
D501,670	S *	2/2005	Landi, Jr.	D21/803
7,052,347	B2 *	5/2006	Goldmeier	441/129
D538,507	S *	3/2007	Tansey et al.	D1/125
D591,926	S *	5/2009	Jia et al.	D1/125
D630,409	S *	1/2011	Tansey et al.	D1/125
D688,439	S *	8/2013	Jani et al.	D1/127
2008/0226859	A1	9/2008	Manning et al.	

* cited by examiner

Primary Examiner — Zenia Bennett

(74) *Attorney, Agent, or Firm* — Smith Moore Leatherwood LLP; Thomas W. Epting

(57) **CLAIM**

The ornamental design for a swim noodle, as shown and described.

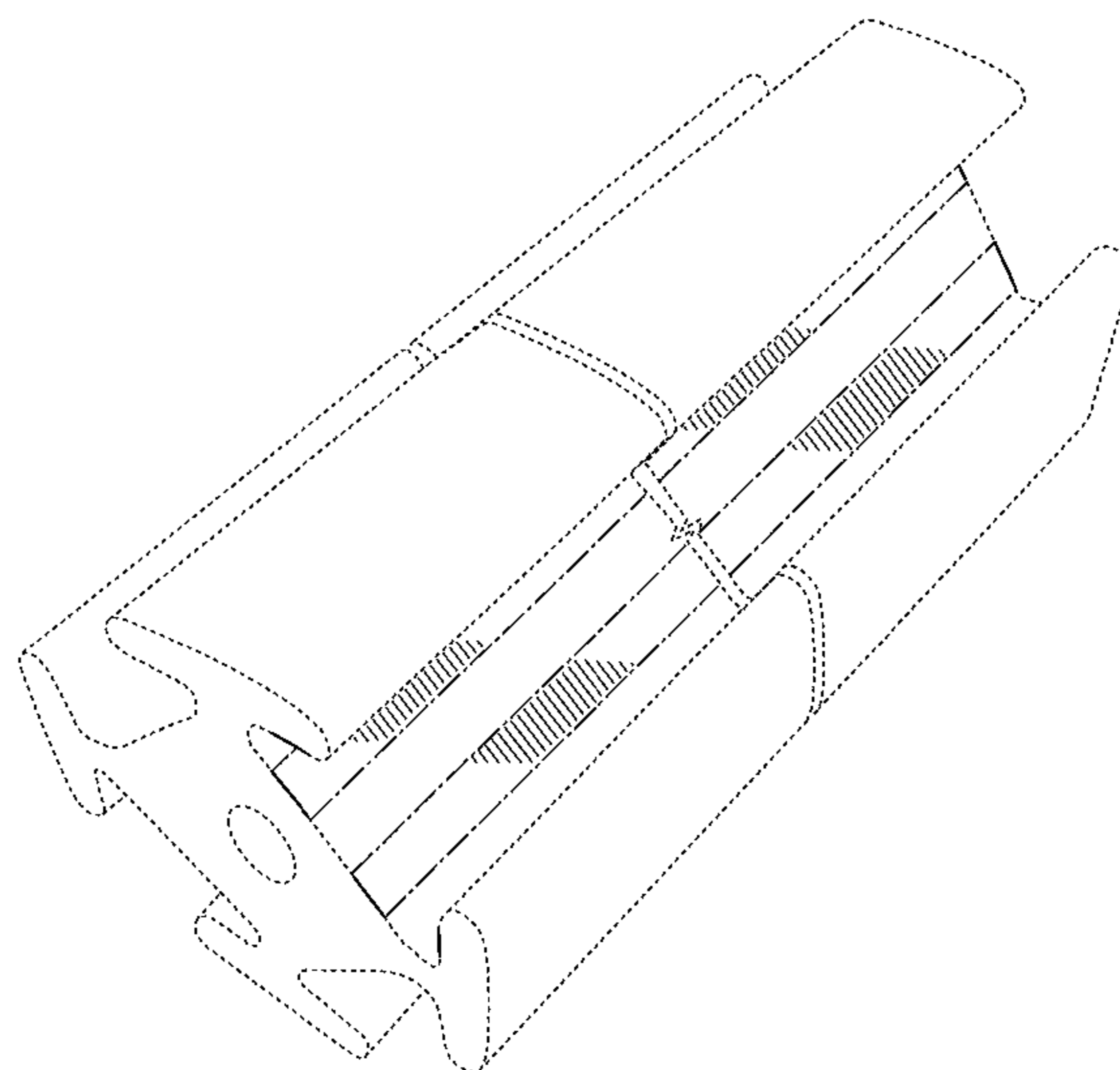
DESCRIPTION

FIG. 1 is a perspective view of a swim noodle showing our new design;
FIG. 2 is a perspective view of a front end thereof;
FIG. 3 is a left side view thereof;
FIG. 4 is a right side elevational view thereof;
FIG. 5 is a top plan view thereof;
FIG. 6 is a bottom plan view thereof;
FIG. 7 is a front end view thereof; and,
FIG. 8 is a rear end view thereof.

The dashed broken lines shown in the drawing figures are for illustrative purposes only and form no part of the claimed design.

The dot-dash broken lines represent boundaries that form no part of the claimed design.

1 Claim, 8 Drawing Sheets



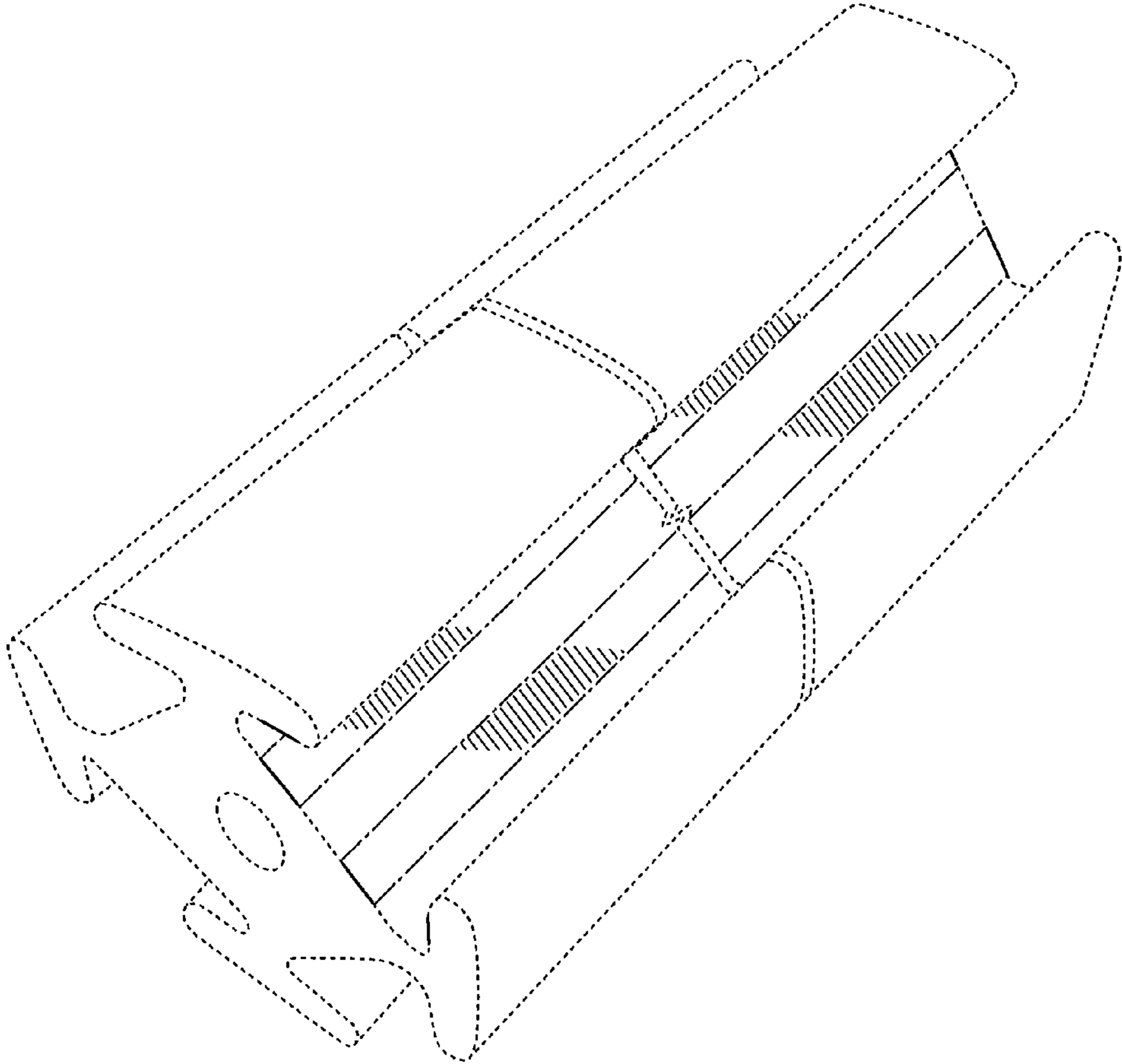


FIG. 1

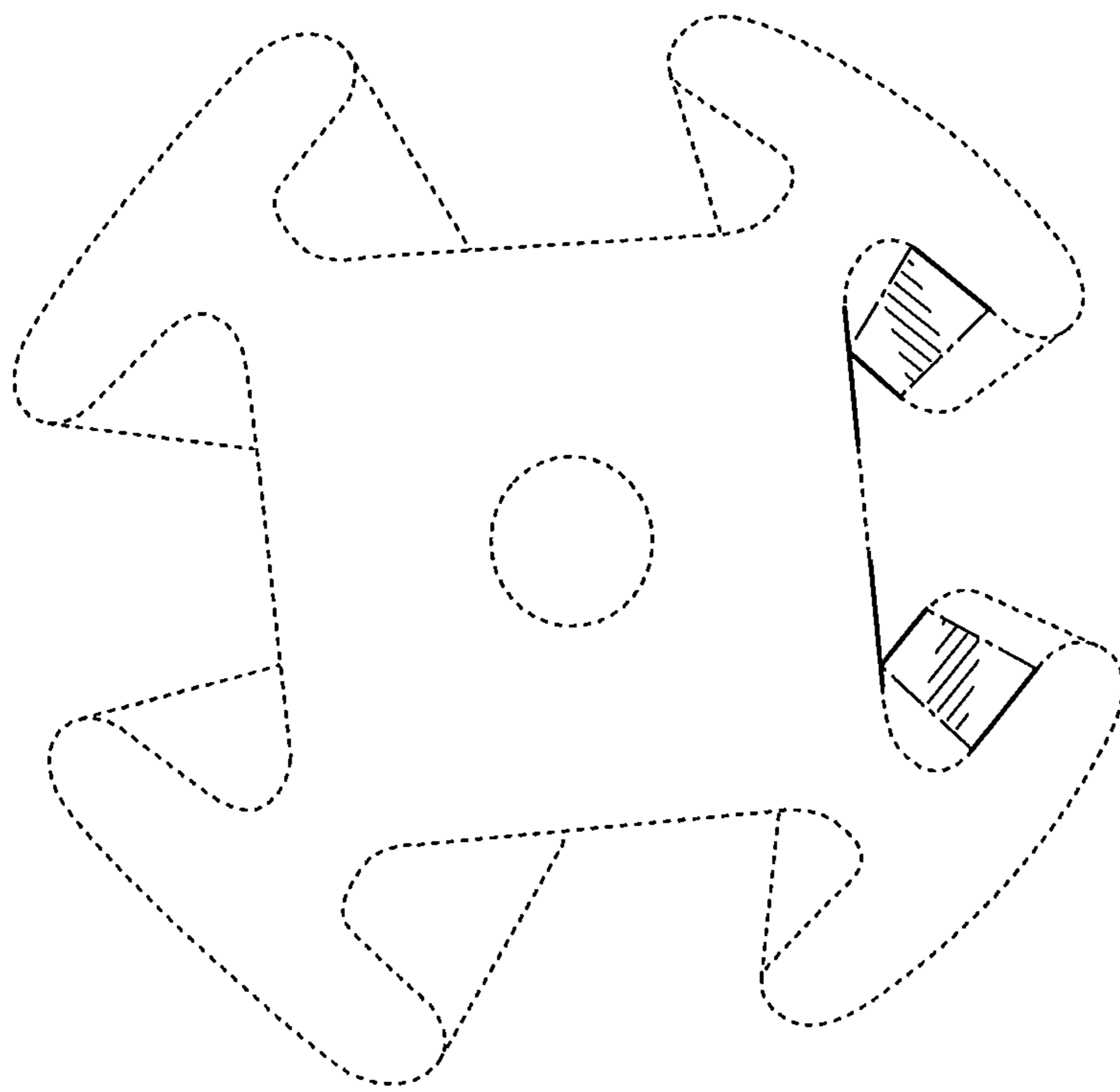


FIG. 2

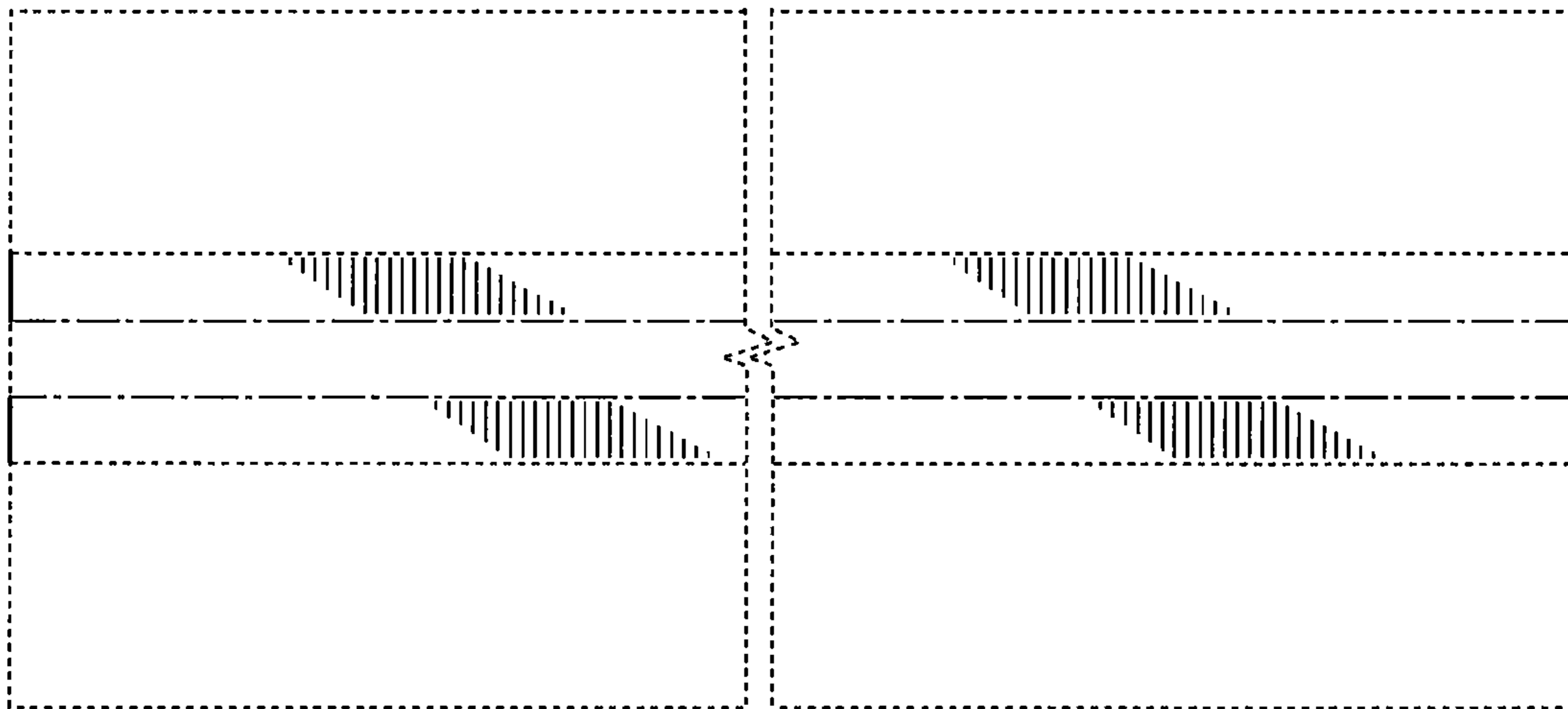


FIG. 3

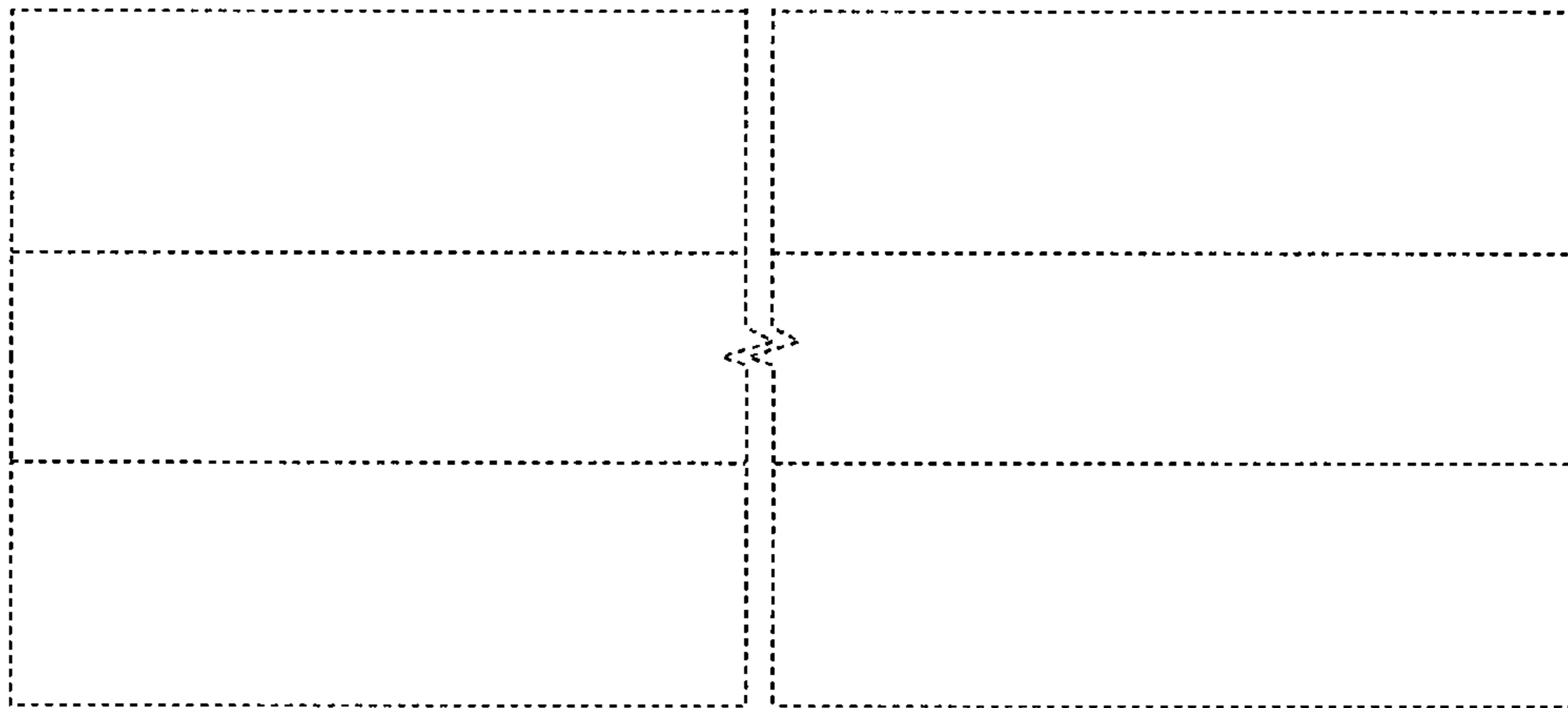


FIG. 4

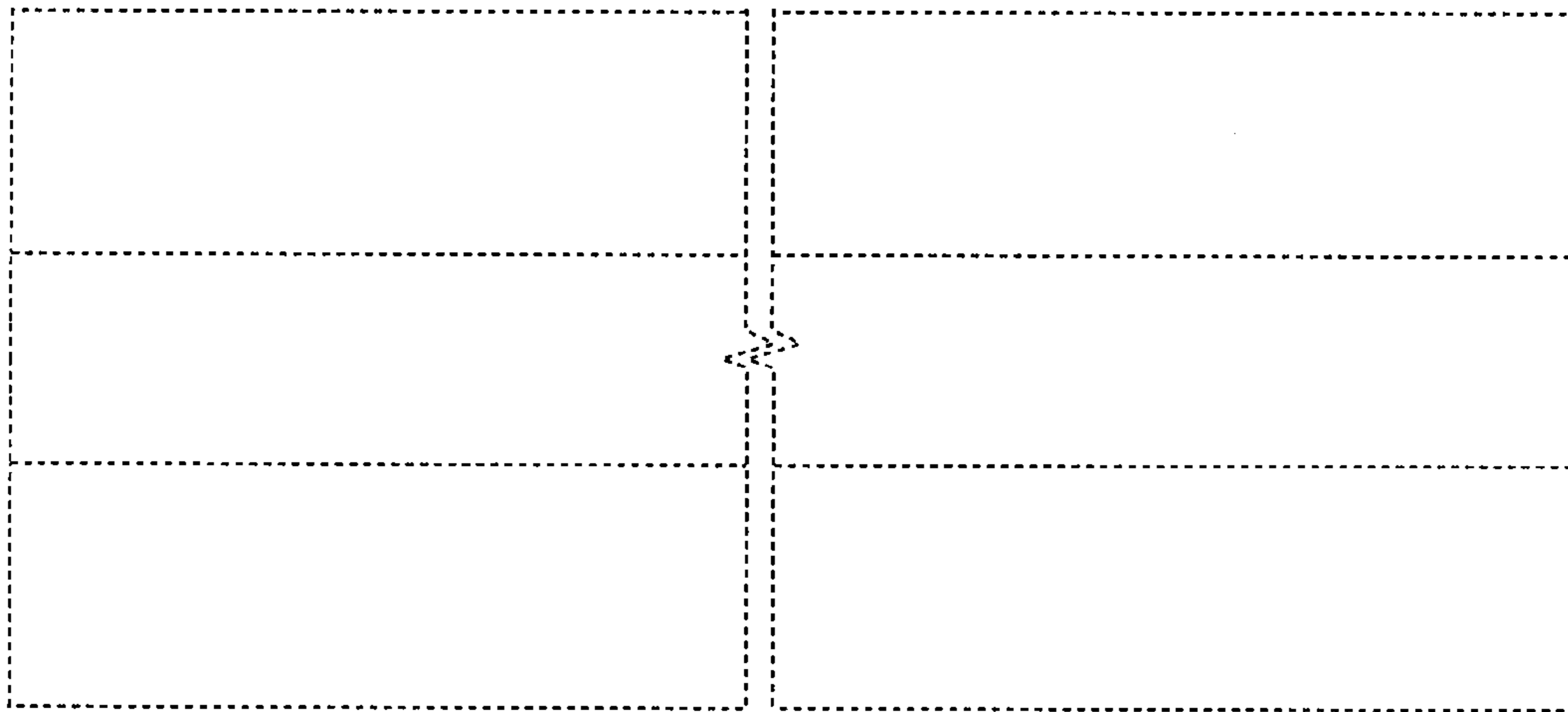


FIG. 5

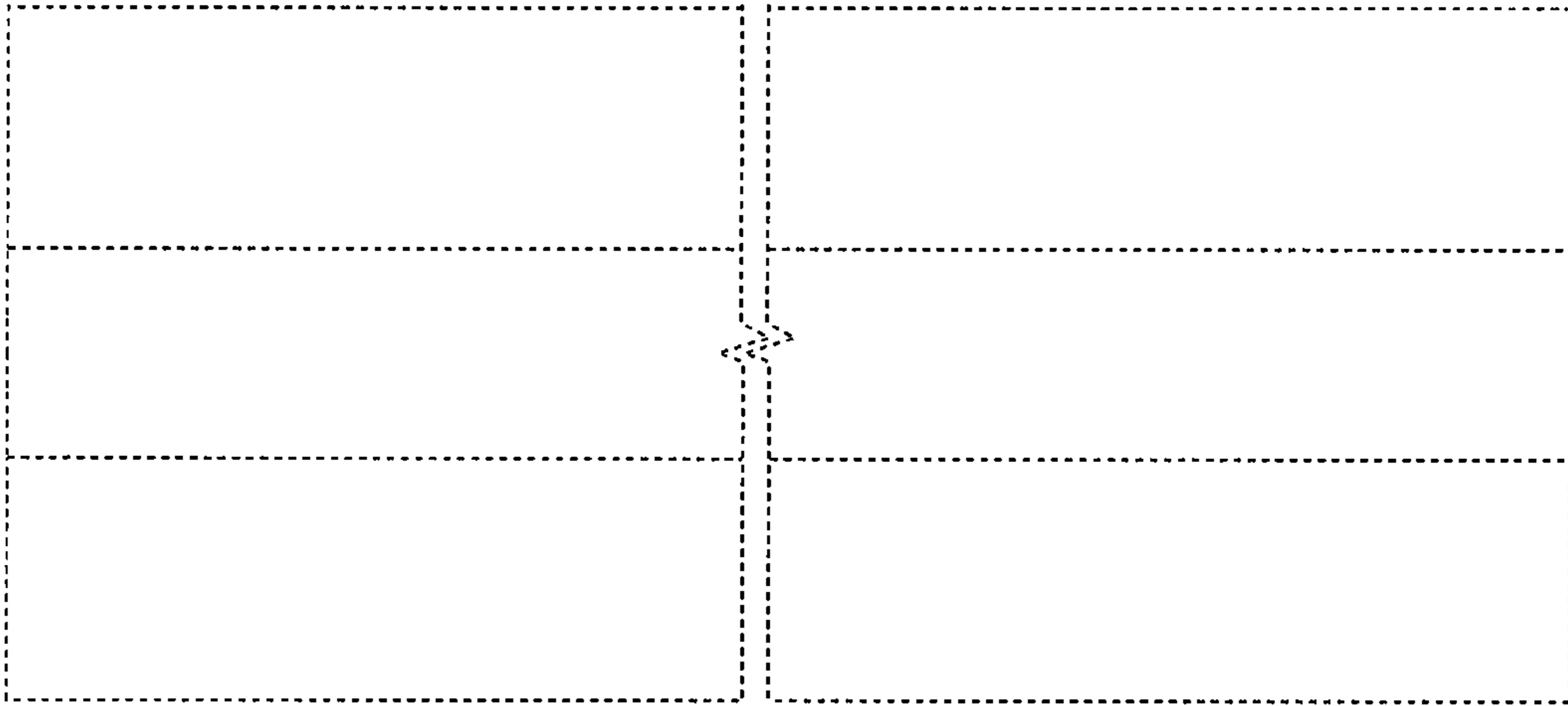


FIG. 6

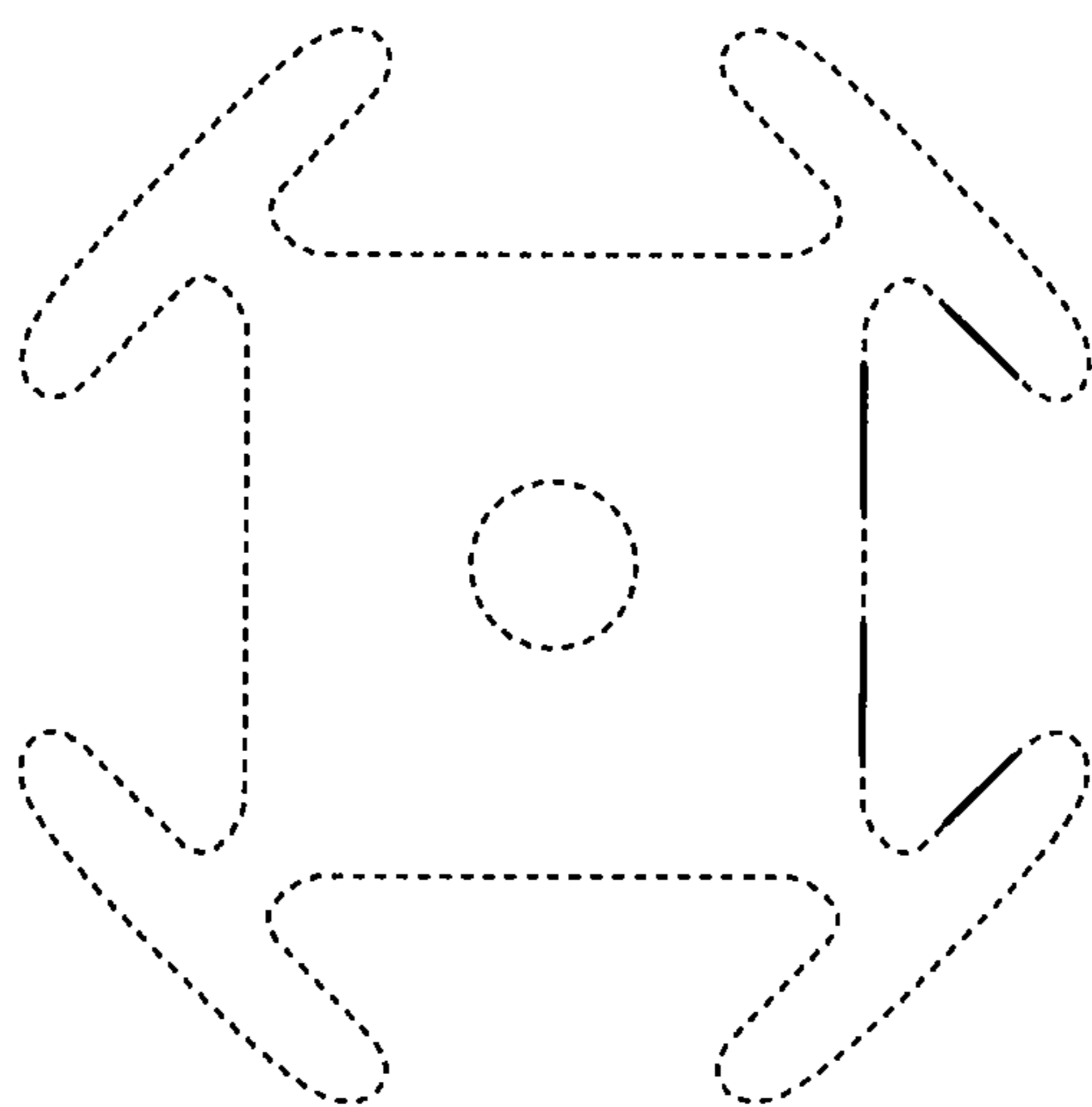


FIG. 7

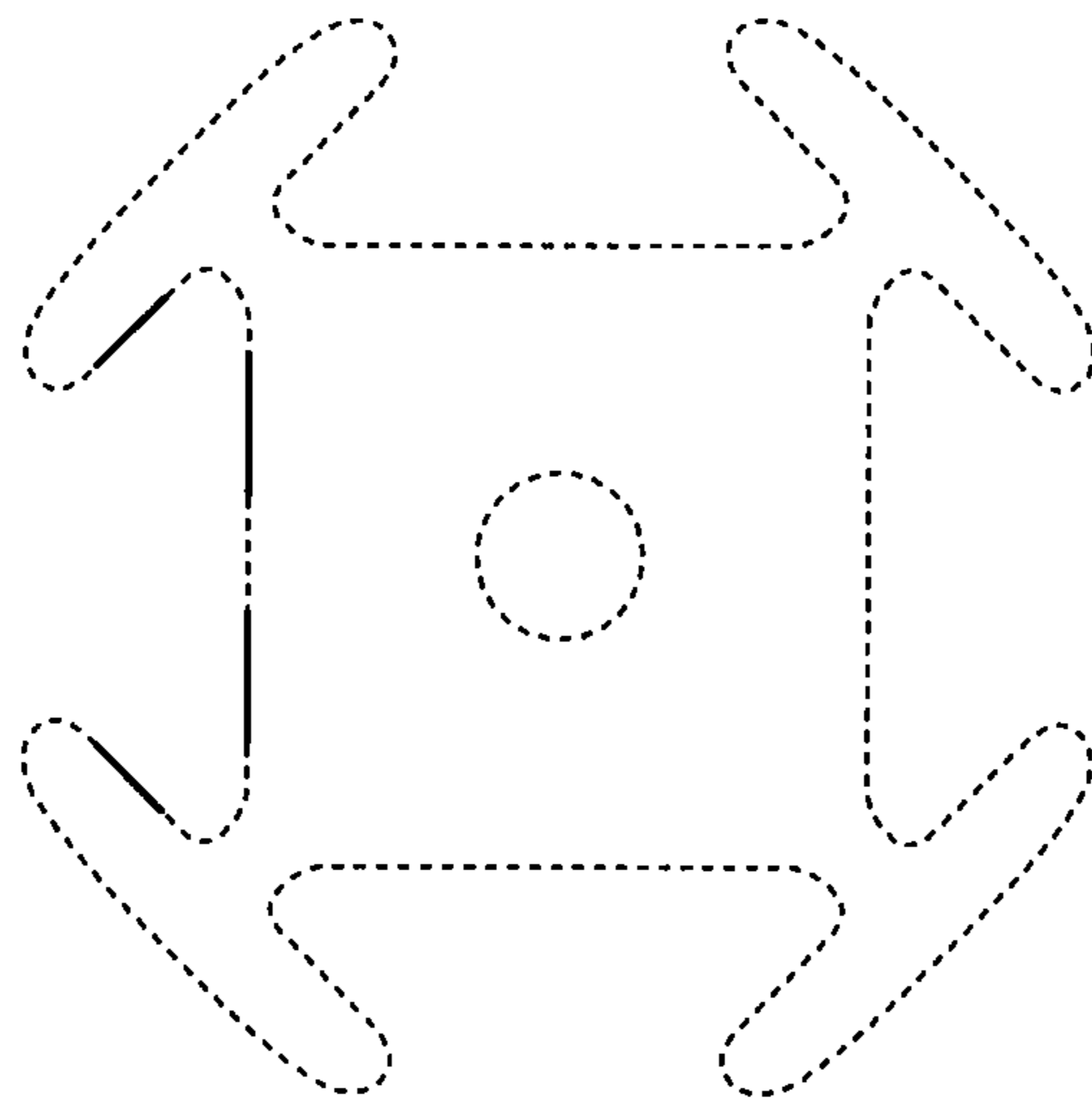


FIG. 8