

US00D740383S

(12) **United States Design Patent**  
**Shadle**

(10) **Patent No.:** **US D740,383 S**

(45) **Date of Patent:** **\*\* Oct. 6, 2015**

(54) **DRINKING AND PUTTING GAME APPARATUS**

(71) Applicant: **William Edgar Shadle**, Atlanta, GA (US)

(72) Inventor: **William Edgar Shadle**, Atlanta, GA (US)

(\*\*) Term: **14 Years**

(21) Appl. No.: **29/502,202**

(22) Filed: **Sep. 12, 2014**

(51) **LOC (10) Cl.** ..... **21-02**

(52) **U.S. Cl.**  
USPC ..... **D21/791**

(58) **Field of Classification Search**  
USPC ..... D21/789, 791, 792  
CPC ..... A63B 67/02; A63B 2067/025; A63B 2063/001  
See application file for complete search history.

(56) **References Cited**

**U.S. PATENT DOCUMENTS**

2,456,813	A *	12/1948	Cavins	473/181
2,893,734	A	7/1959	Franklin et al.	
4,239,223	A	12/1980	Wilson	
4,961,583	A	10/1990	Koch et al.	
5,082,280	A *	1/1992	Wang	473/181
5,595,543	A *	1/1997	Wolk	473/162
D431,855	S *	10/2000	Rose	D21/791
D470,906	S *	2/2003	Shaw	D21/791
6,607,448	B2 *	8/2003	Moore	473/160
D481,092	S *	10/2003	Ray	D21/791
6,716,113	B1 *	4/2004	Manning et al.	473/261
D600,299	S *	9/2009	Hanley	D21/791

8,226,087	B2	7/2012	Brustmeyer et al.
8,651,492	B1	2/2014	Cappuccio et al.
2003/0034611	A1	2/2003	Lacy et al.
2004/0188942	A1	9/2004	Trokan et al.
2012/0169012	A1	7/2012	Parker et al.
2013/0175758	A1	7/2013	Lewis et al.

**FOREIGN PATENT DOCUMENTS**

CN 202020899 11/2011

**OTHER PUBLICATIONS**

English Abstract of CN202020899, Publication Date: Nov. 2, 2011.

\* cited by examiner

*Primary Examiner* — Mitchell Siegel

(74) *Attorney, Agent, or Firm* — Millen, White, Zelano & Branigan, P.C.; William F. Nixon

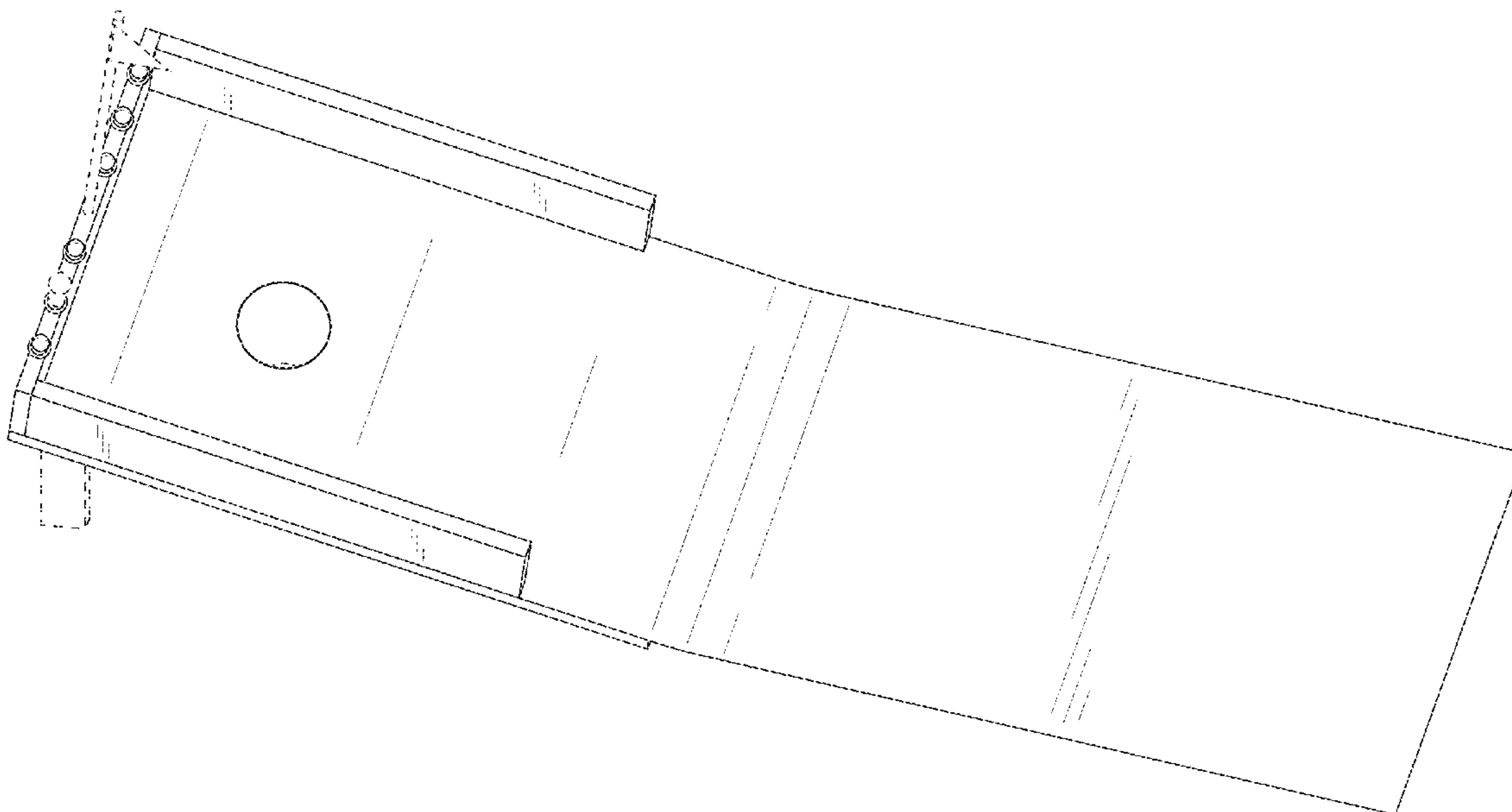
(57) **CLAIM**

The ornamental design for a drinking and putting game apparatus, as shown and described.

**DESCRIPTION**

FIG. 1 is a top right side perspective view of an embodiment of a drinking and putting game apparatus;  
FIG. 2 is a front view thereof;  
FIG. 3 is a back view thereof;  
FIG. 4 is a right side view thereof;  
FIG. 5 is a left side view thereof;  
FIG. 6 is a top view thereof; and,  
FIG. 7 is a bottom view thereof.  
The broken lines shown throughout the views represent the portions of the drinking and putting game apparatus that form no part of the claimed design.

**1 Claim, 6 Drawing Sheets**



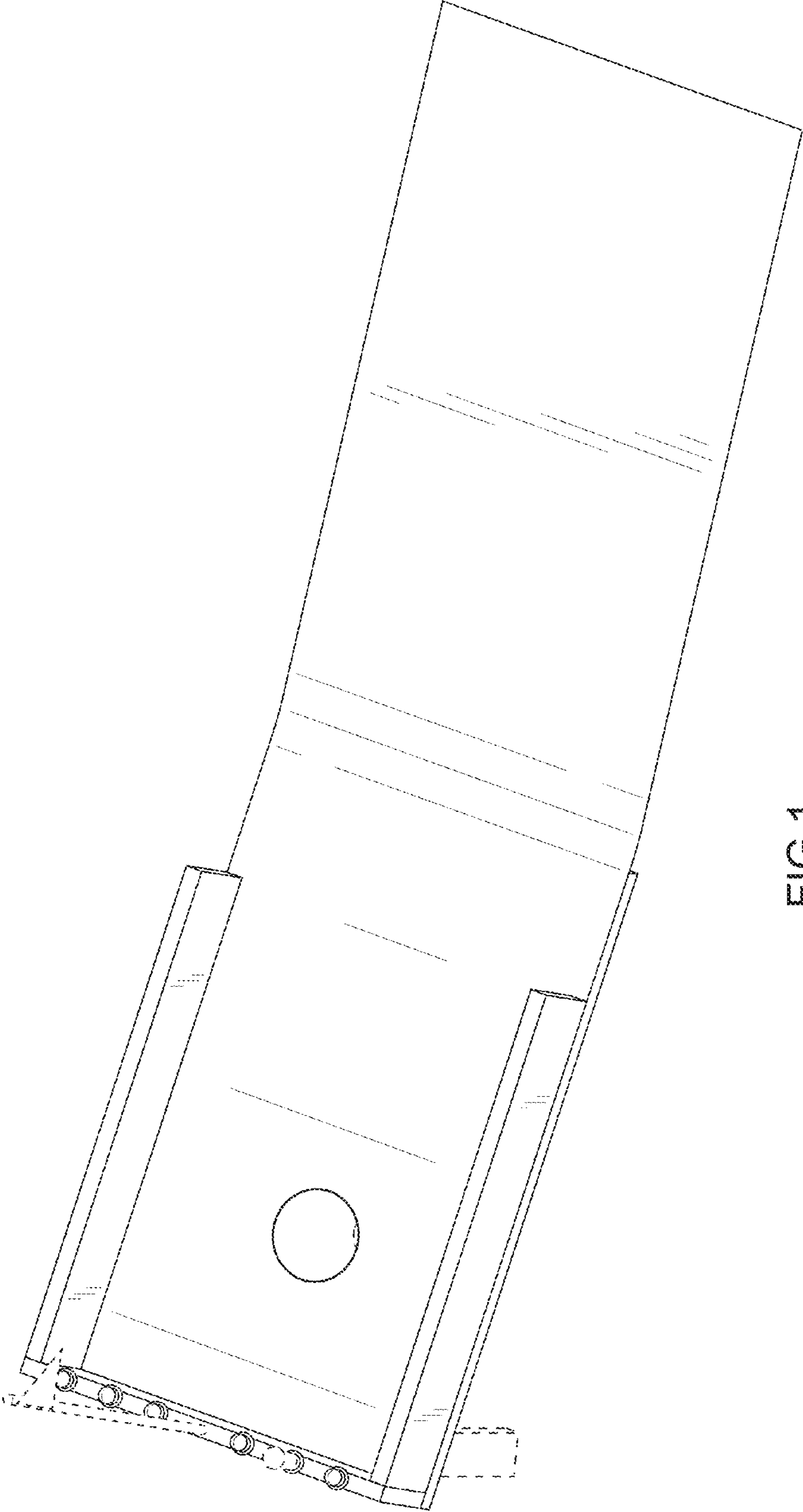


FIG.1

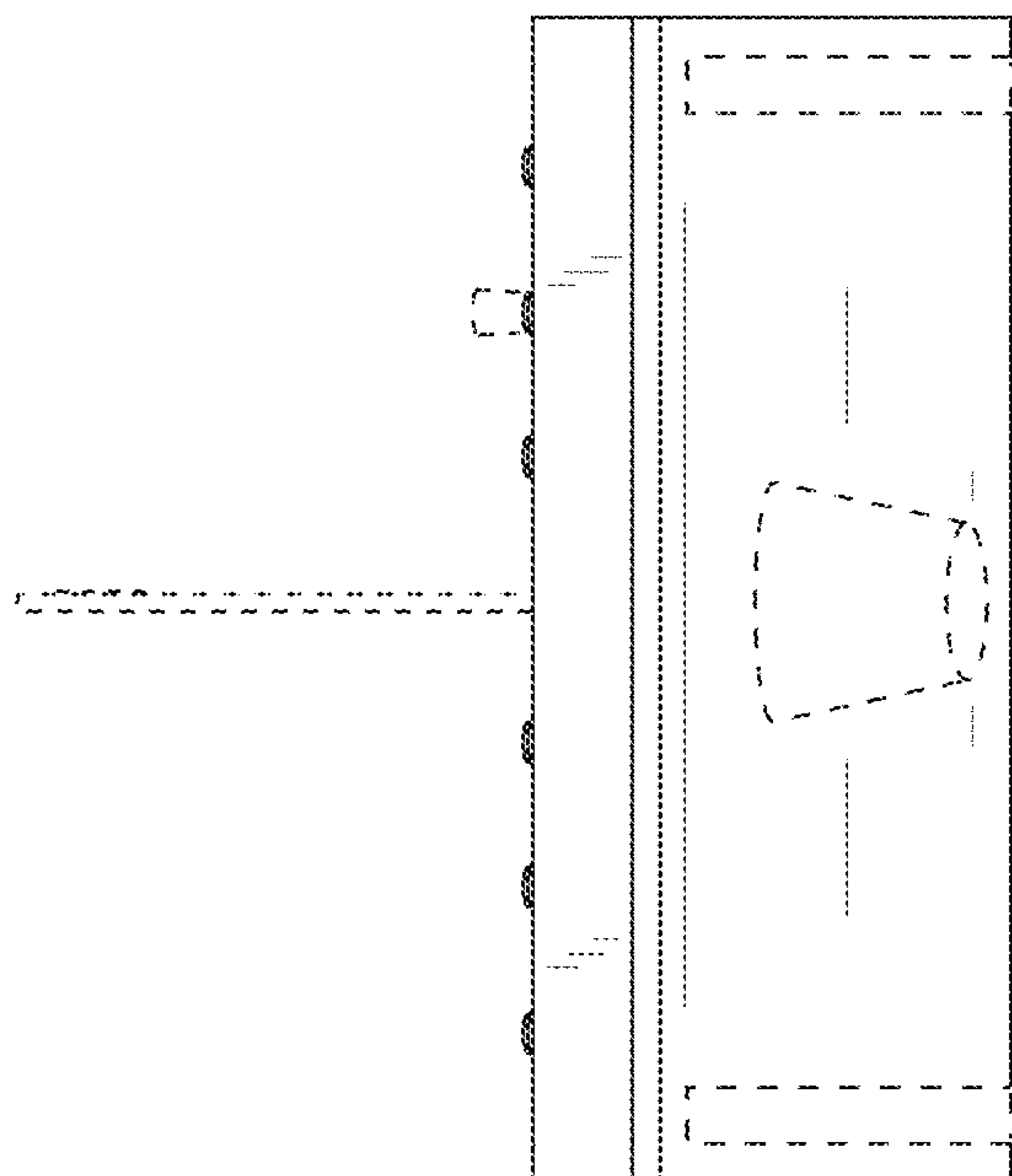


FIG.3

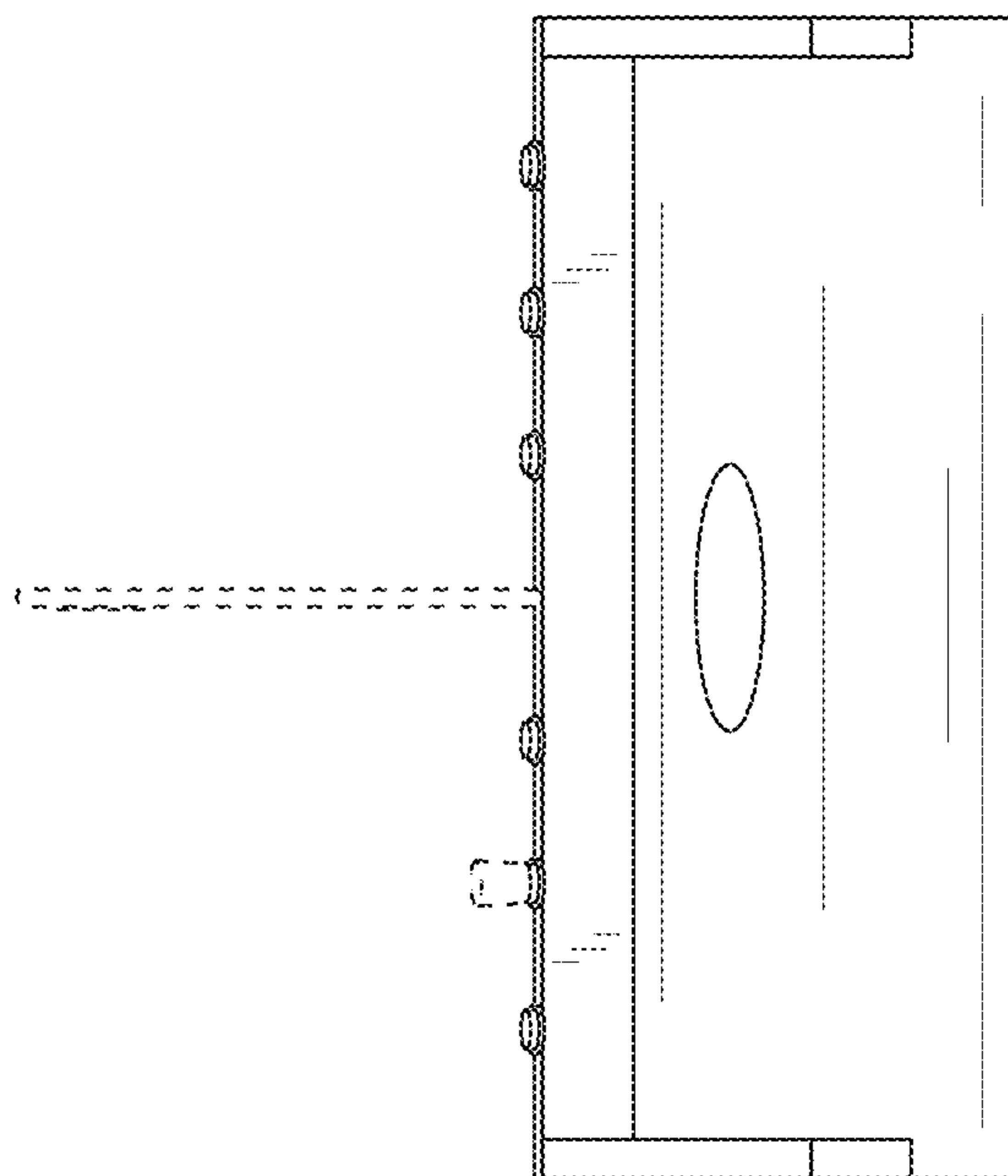


FIG.2

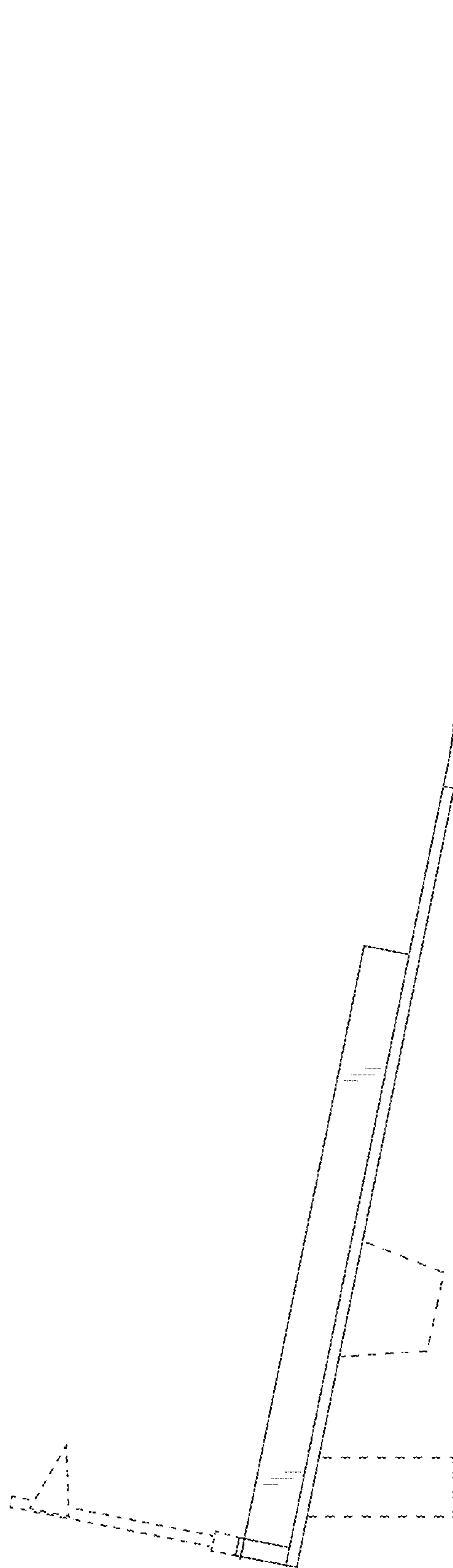


FIG.4

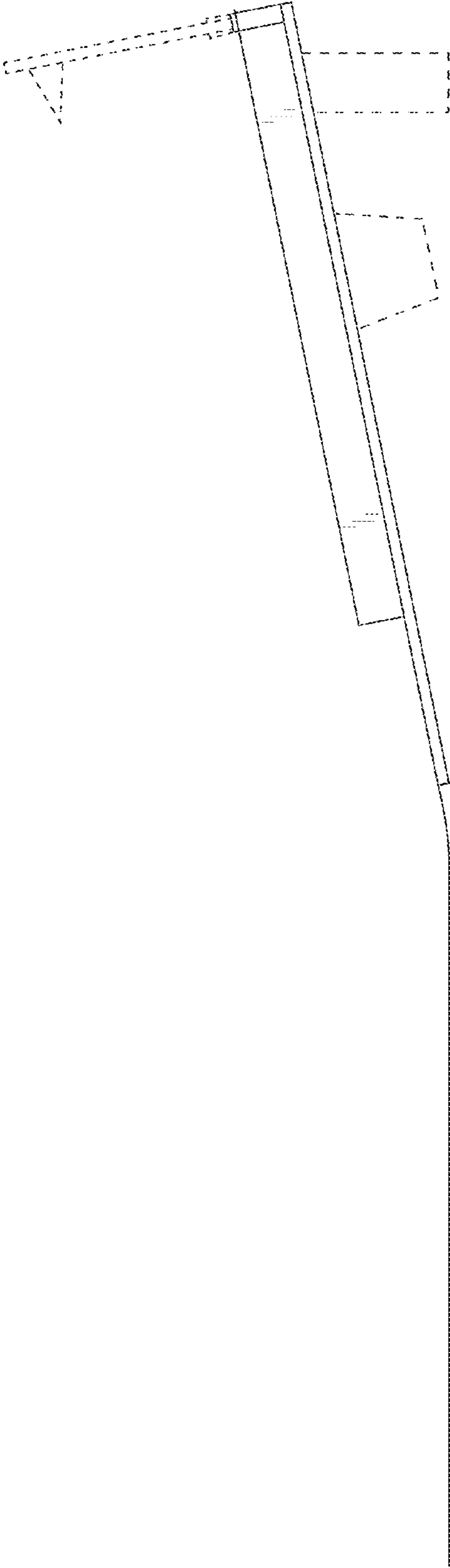


FIG.5

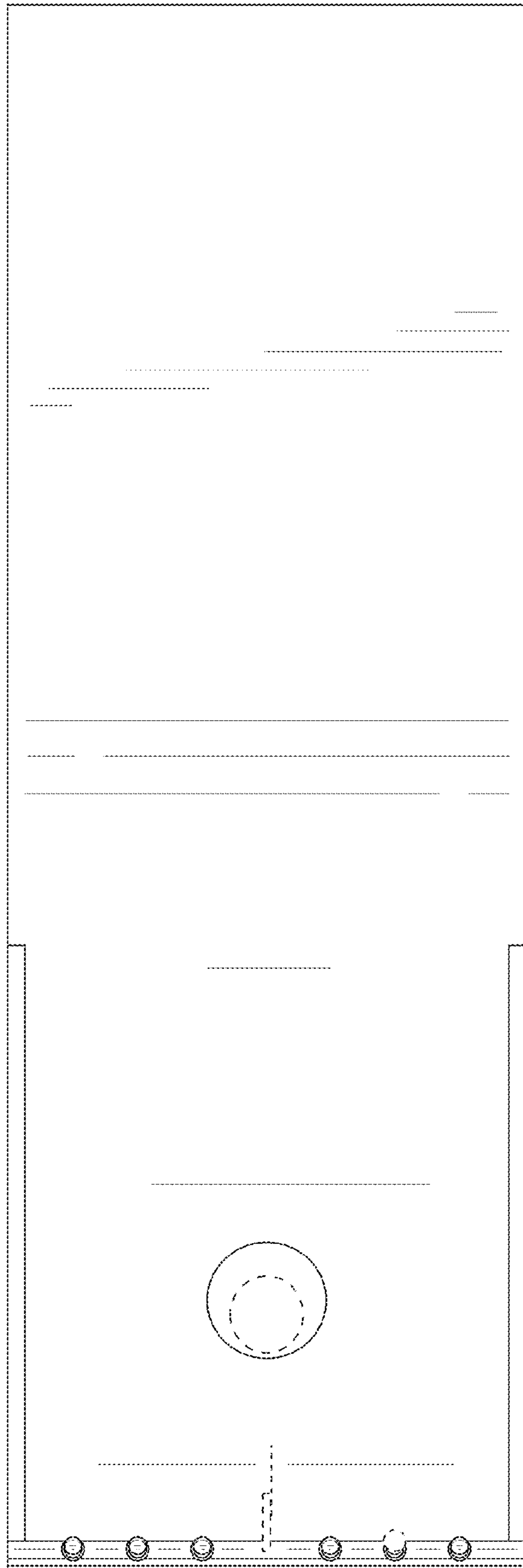


FIG.6

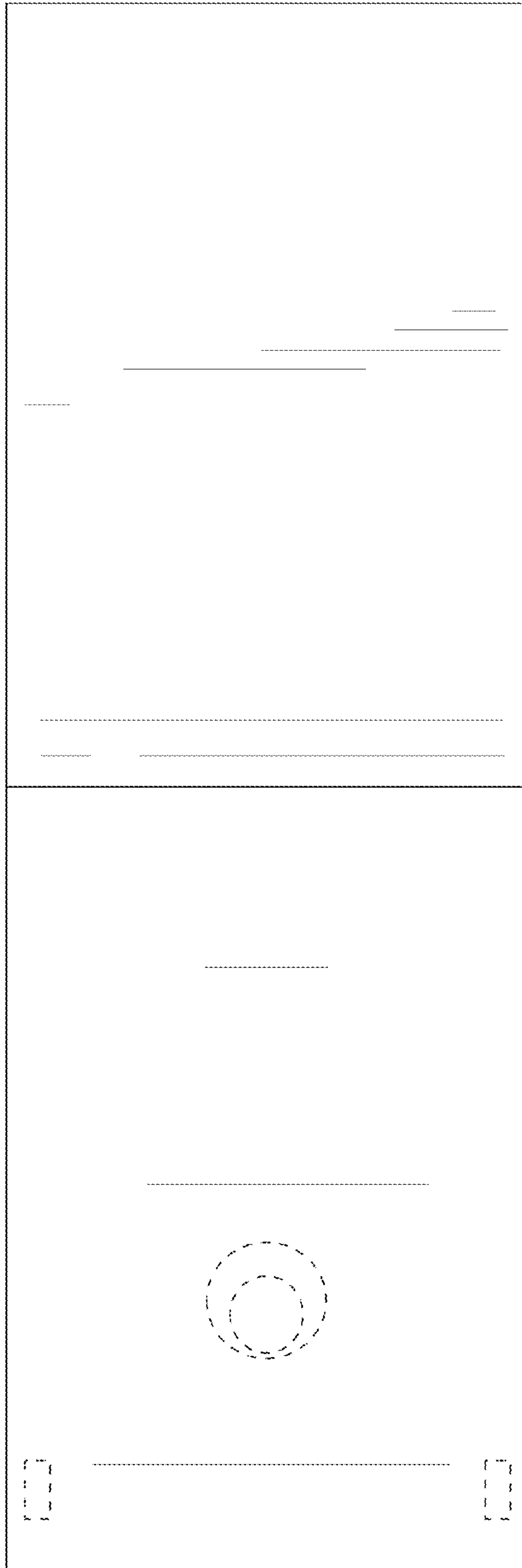


FIG.7