



US00D740382S

(12) **United States Design Patent**  
**Koo et al.**

(10) **Patent No.:** **US D740,382 S**  
(45) **Date of Patent:** **\*\* Oct. 6, 2015**

- (54) **GOLF CLUB FERRULE**
- (71) Applicants: **Jason Bonque Koo**, Manhattan Beach, CA (US); **Jason Narvett**, El Segundo, CA (US)
- (72) Inventors: **Jason Bonque Koo**, Manhattan Beach, CA (US); **Jason Narvett**, El Segundo, CA (US)
- (\*\*) Term: **14 Years**
- (21) Appl. No.: **29/506,978**
- (22) Filed: **Oct. 22, 2014**
- (51) **LOC (10) Cl.** ..... **21-02**
- (52) **U.S. Cl.**  
USPC ..... **D21/759**
- (58) **Field of Classification Search**  
USPC ..... D21/733-752, 759, 789  
CPC ..... A63B 53/00-53/12; A63B 2053/002-2053/0495  
See application file for complete search history.

- D635,211 S \* 3/2011 Evans ..... D21/759
- 8,124,205 B2 \* 2/2012 Watanabe ..... 428/36.9
- D682,378 S \* 5/2013 Holt et al. .... D21/759
- 8,777,768 B2 \* 7/2014 Schoppe et al. .... 473/176

\* cited by examiner

*Primary Examiner* — Mitchell Siegel  
(74) *Attorney, Agent, or Firm* — QuickPatents; Kevin Prince

(57) **CLAIM**  
We claim the ornamental design for a golf club ferrule, as shown and described.

**DESCRIPTION**

FIG. 1 is a perspective view of a golf club ferrule, showing a first embodiment of our new design;  
 FIG. 2 is an enlarged, exploded perspective view of FIG. 1, showing two identical, mating golf club ferrule halves;  
 FIG. 3 is a front elevational view of FIG. 1;  
 FIG. 4 is a rear elevational view of FIG. 1, one of the golf club ferrule halves omitted for clarity of illustration;  
 FIG. 5 is a left-side elevational view of FIG. 4, the right-side elevational view being a mirror image thereof;  
 FIG. 6 is a top plan view of FIG. 4;  
 FIG. 7 is a bottom plan view of FIG. 4;  
 FIG. 8 is a perspective view of a second embodiment thereof;  
 FIG. 9 is an enlarged, exploded perspective view of FIG. 8, showing the two identical, mating golf club ferrule halves;  
 FIG. 10 is a front elevational view of FIG. 8;  
 FIG. 11 is a rear elevational view of FIG. 8, one of the golf club ferrule halves omitted for clarity of illustration;  
 FIG. 12 is a left-side elevational view of FIG. 11, the right-side elevational view being a mirror image thereof;  
 FIG. 13 is a top plan view of FIG. 11; and,  
 FIG. 14 is a bottom plan view of FIG. 11.

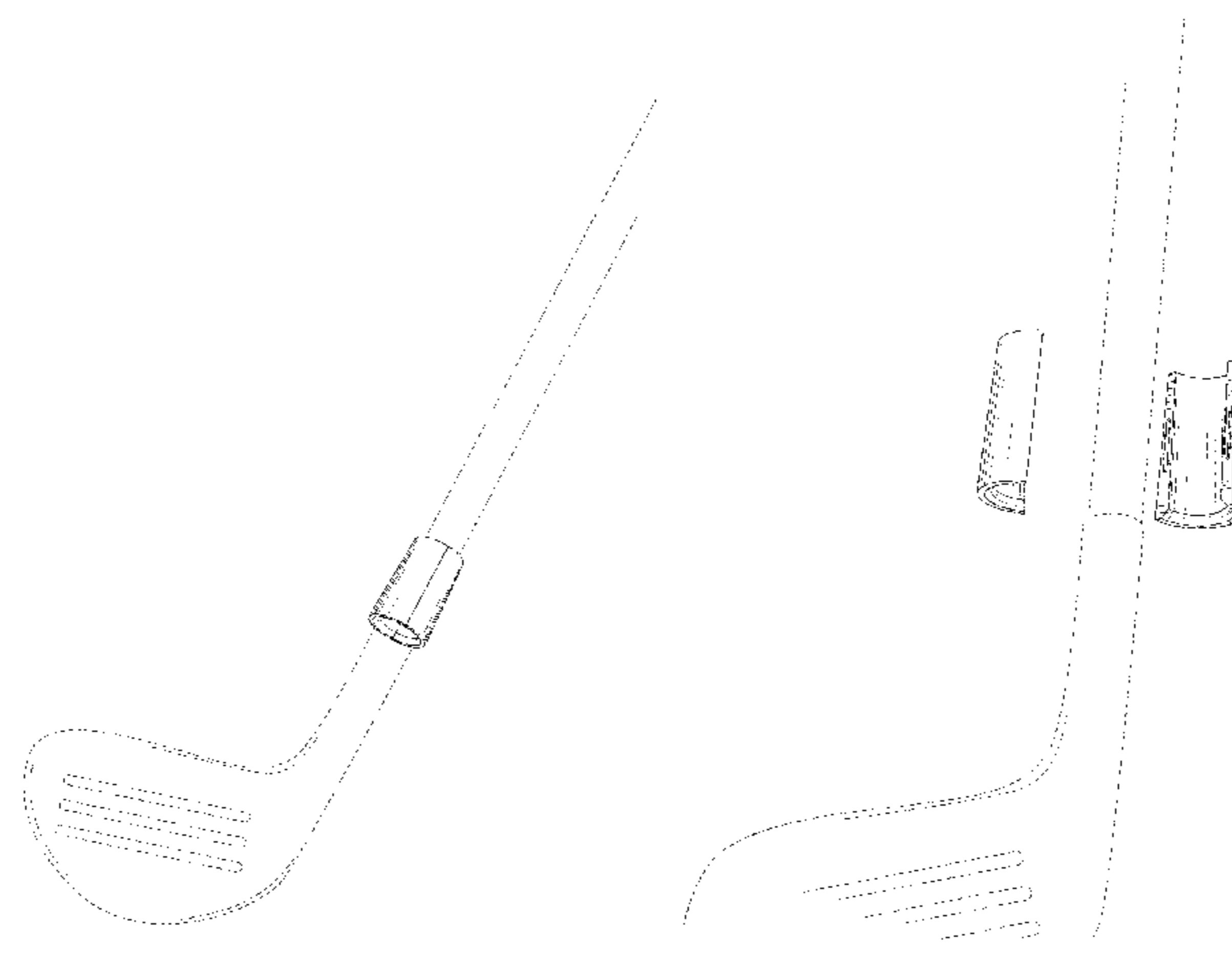
The broken lines showing a golf club in FIGS. 1-2 & 8-9 depict environmental matter and form no part of the claimed design. The shading on the outer surface of the second embodiment is understood to represent any color except black.

(56) **References Cited**

U.S. PATENT DOCUMENTS

- 1,844,812 A \* 2/1932 Thorpe ..... 473/308
- 3,455,301 A \* 7/1969 Clark ..... 600/41
- D267,965 S \* 2/1983 Kobayashi ..... D21/748
- 4,440,835 A \* 4/1984 Vignaud ..... 429/522
- 4,993,428 A \* 2/1991 Arms ..... 600/587
- 5,362,311 A \* 11/1994 Amino et al. .... 623/22.45
- D357,521 S \* 4/1995 Wittrock ..... D21/748
- 5,688,188 A \* 11/1997 Chappell ..... 473/309
- 5,711,721 A \* 1/1998 Johnson et al. .... 473/308
- D393,678 S \* 4/1998 Jones et al. .... D21/759
- D399,281 S \* 10/1998 Allen ..... D21/759
- D401,653 S \* 11/1998 Burrows ..... D21/753
- D401,654 S \* 11/1998 Burrows ..... D21/753
- D401,655 S \* 11/1998 Burrows ..... D21/753
- D401,656 S \* 11/1998 Burrows ..... D21/753
- D434,822 S \* 12/2000 Jacobson et al. .... D21/759
- 7,144,332 B2 \* 12/2006 Sugimae et al. .... 473/308
- 7,258,623 B2 \* 8/2007 Halleck et al. .... 473/308
- D590,902 S \* 4/2009 De La Cruz et al. .... D21/756

**1 Claim, 6 Drawing Sheets**



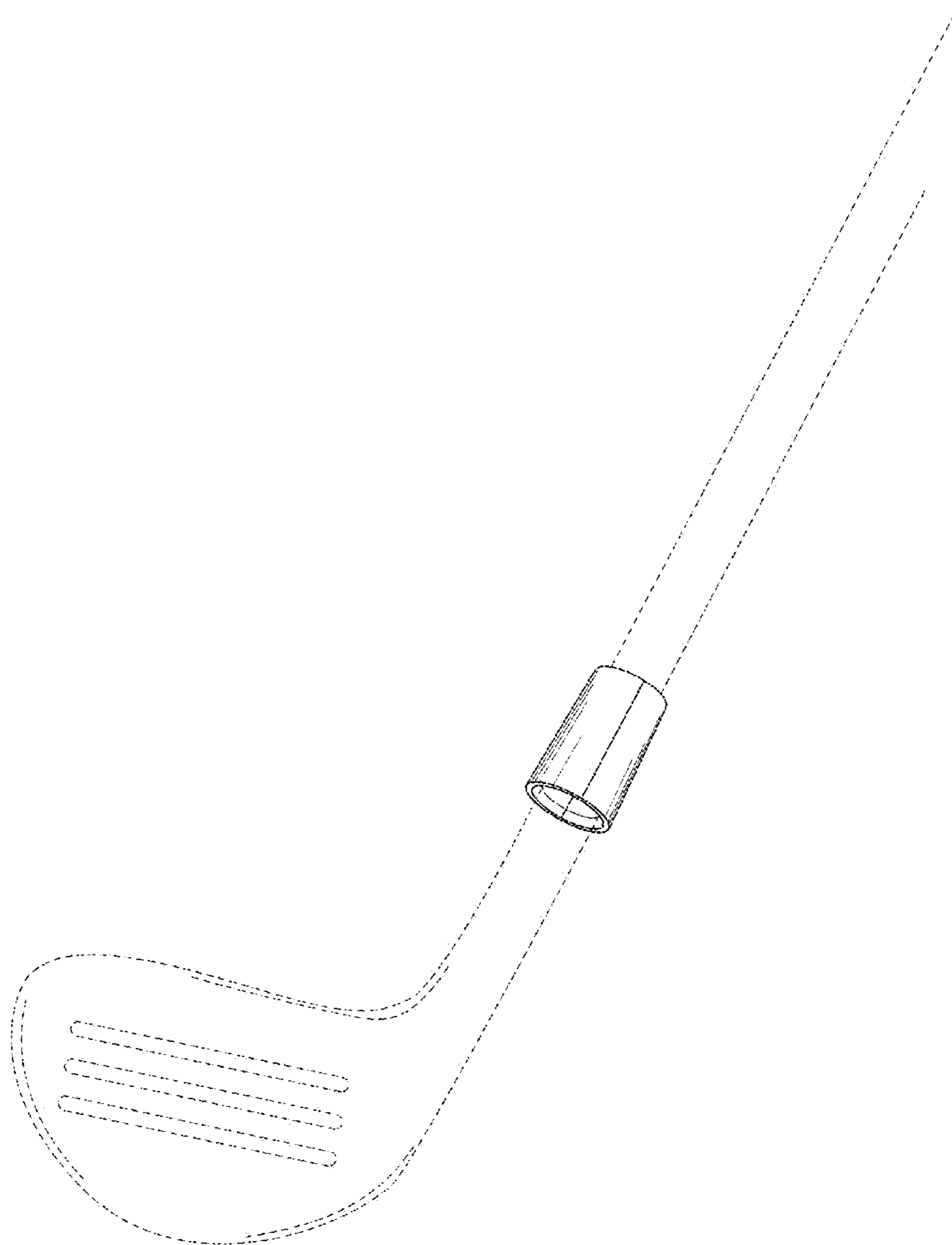
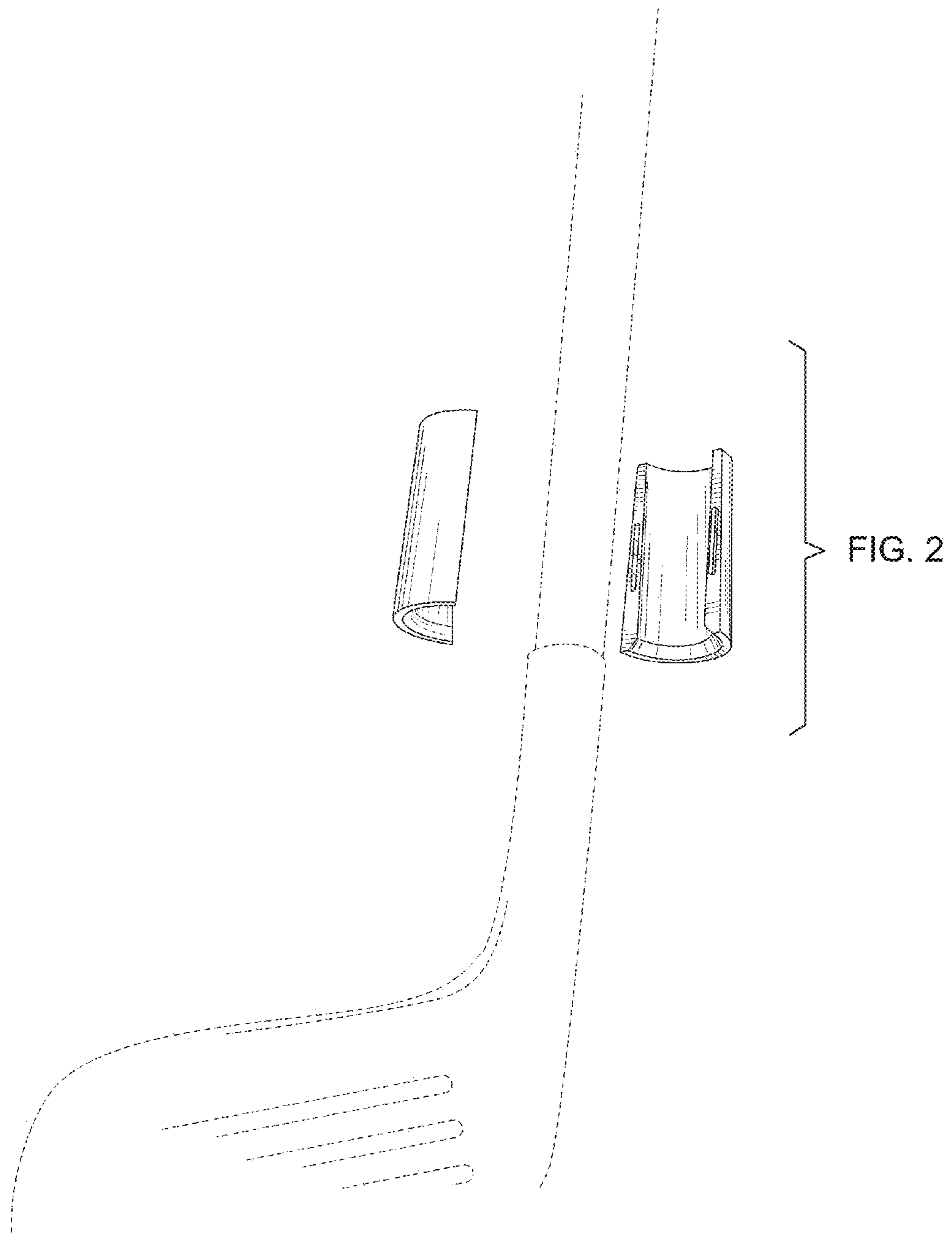


FIG. 1



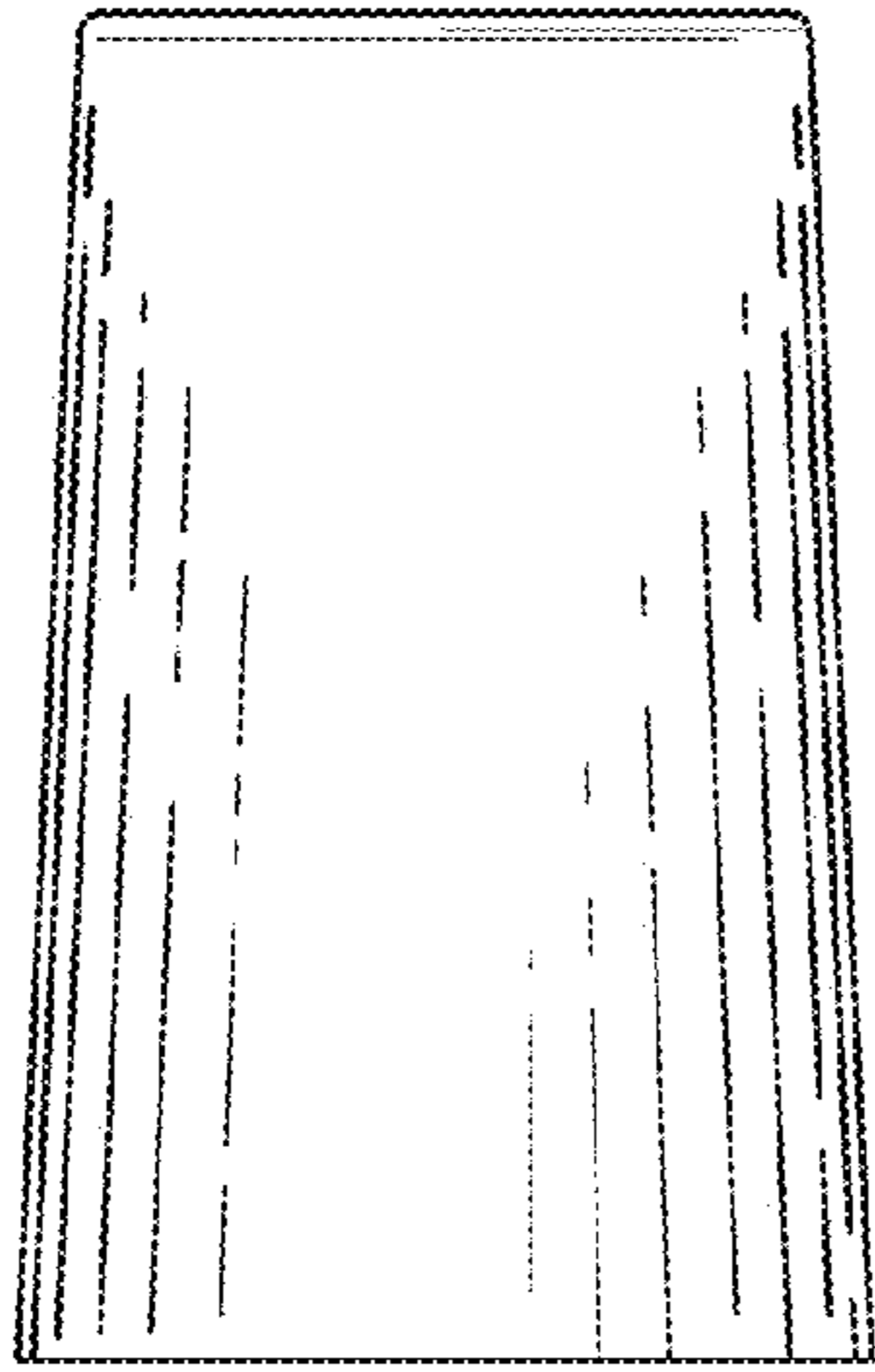


FIG. 3

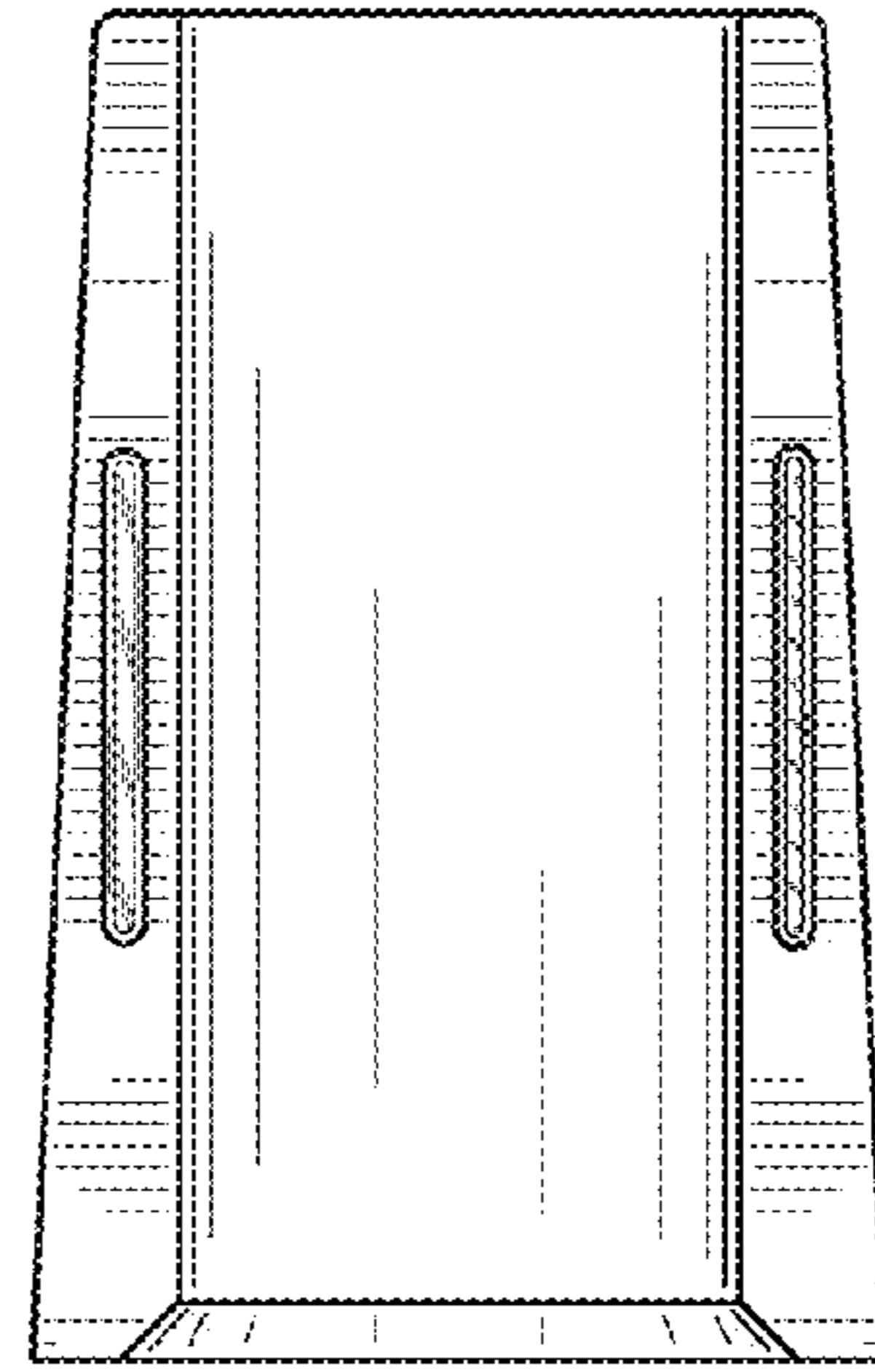


FIG. 4

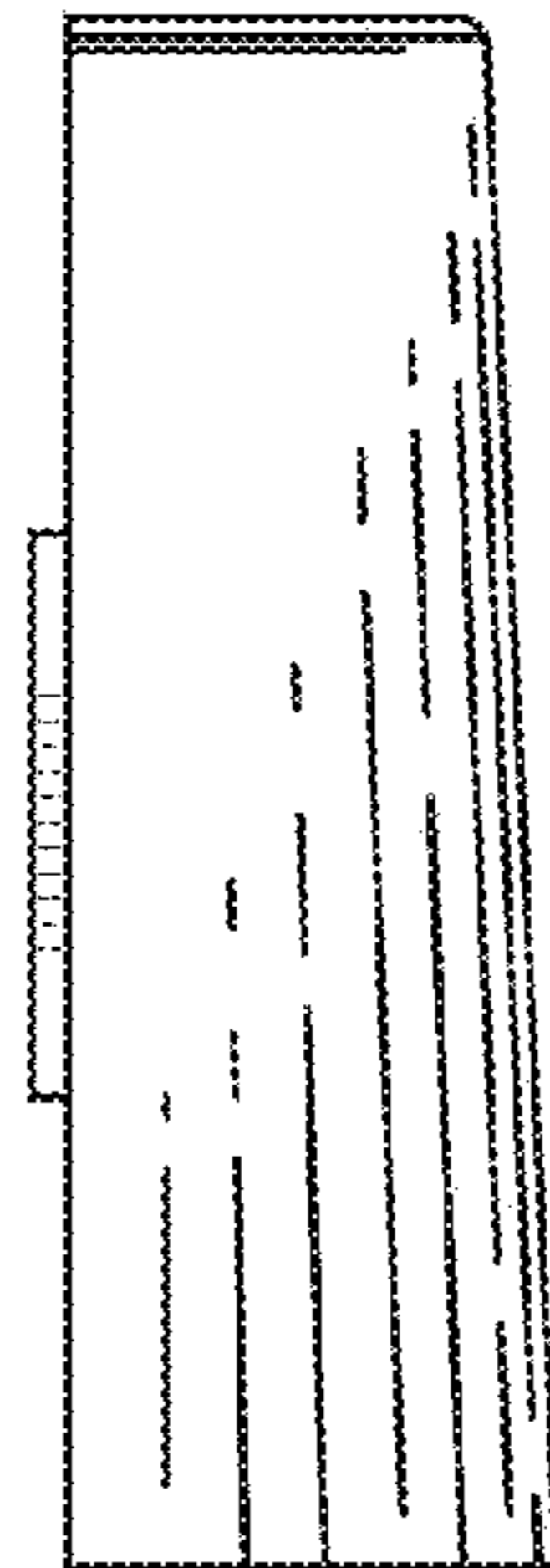


FIG. 5

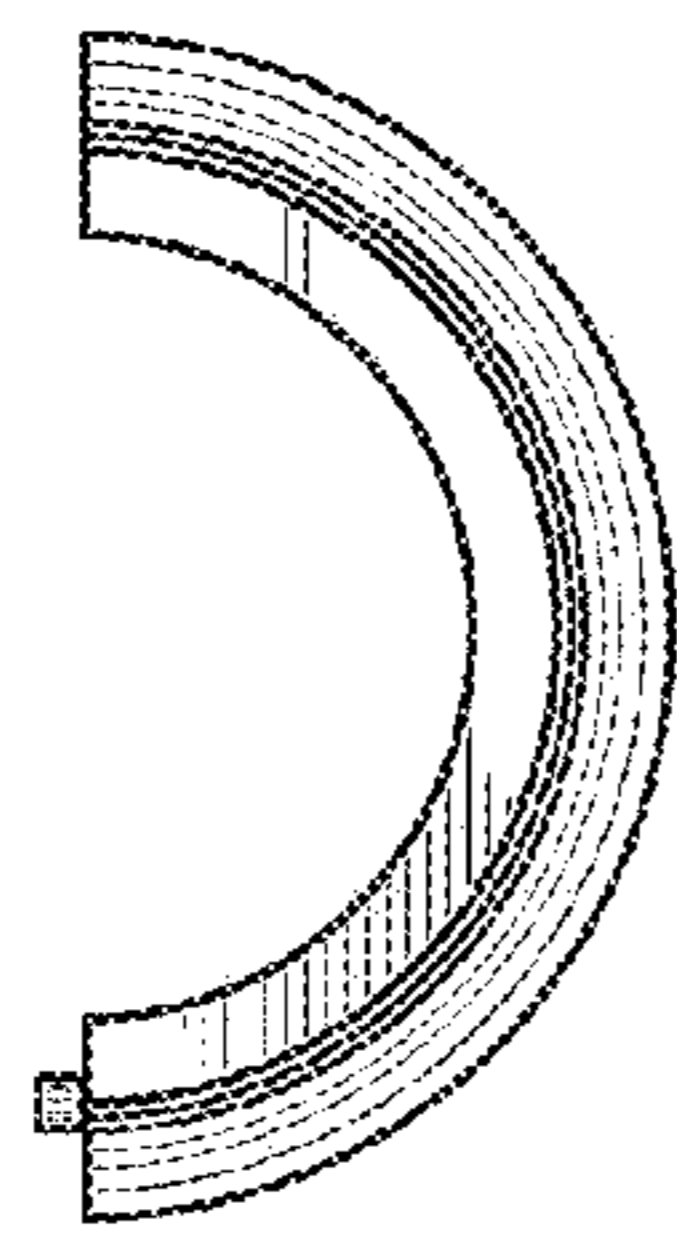


FIG. 6

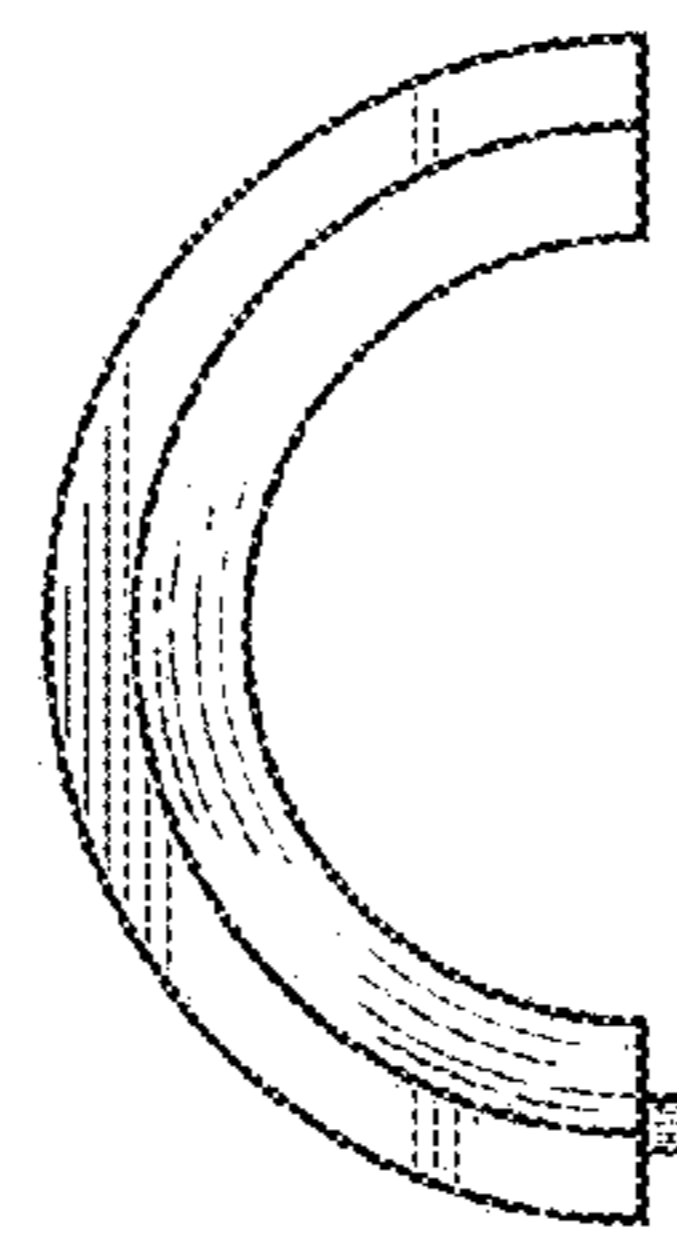


FIG. 7

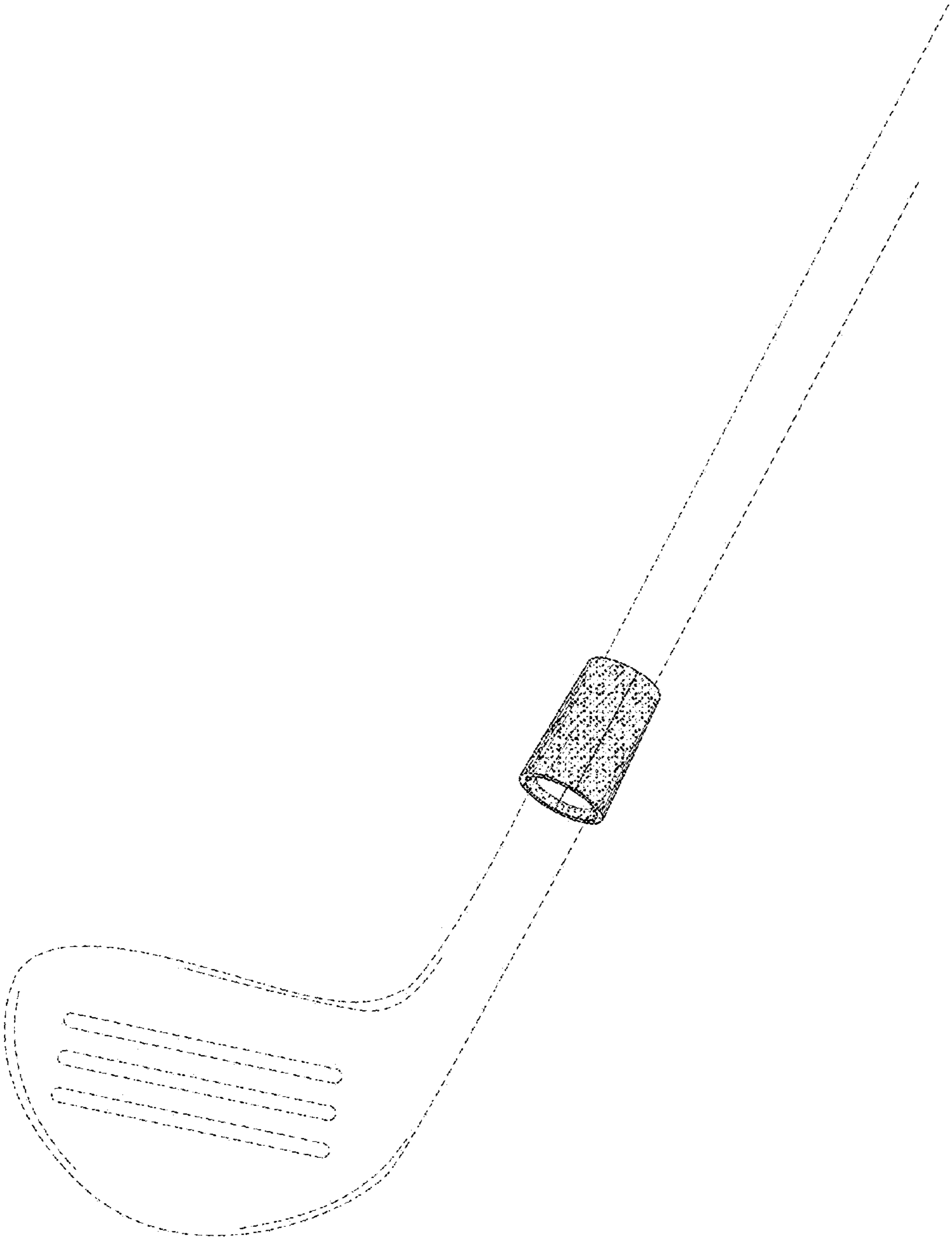
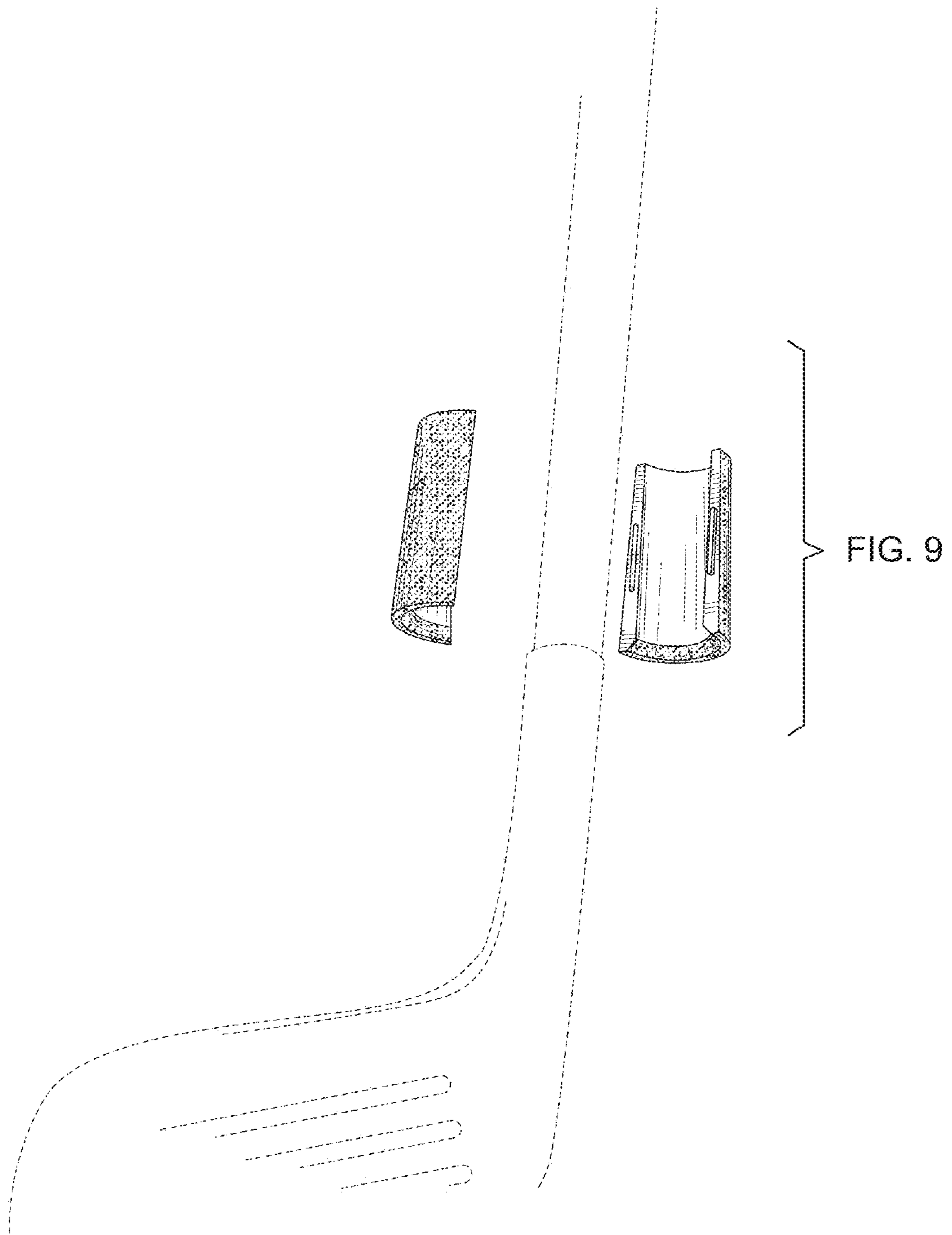


FIG. 8



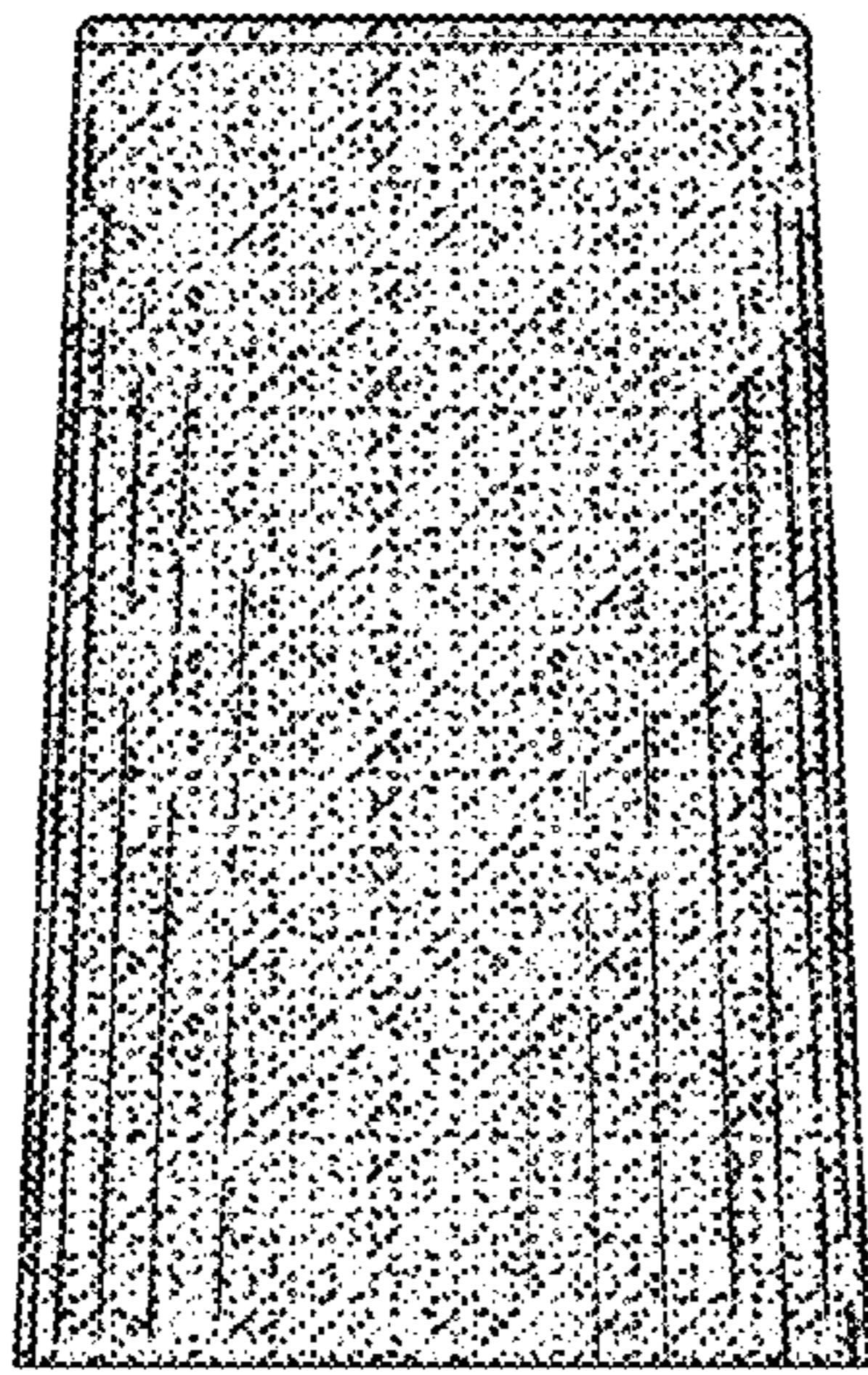


FIG. 10

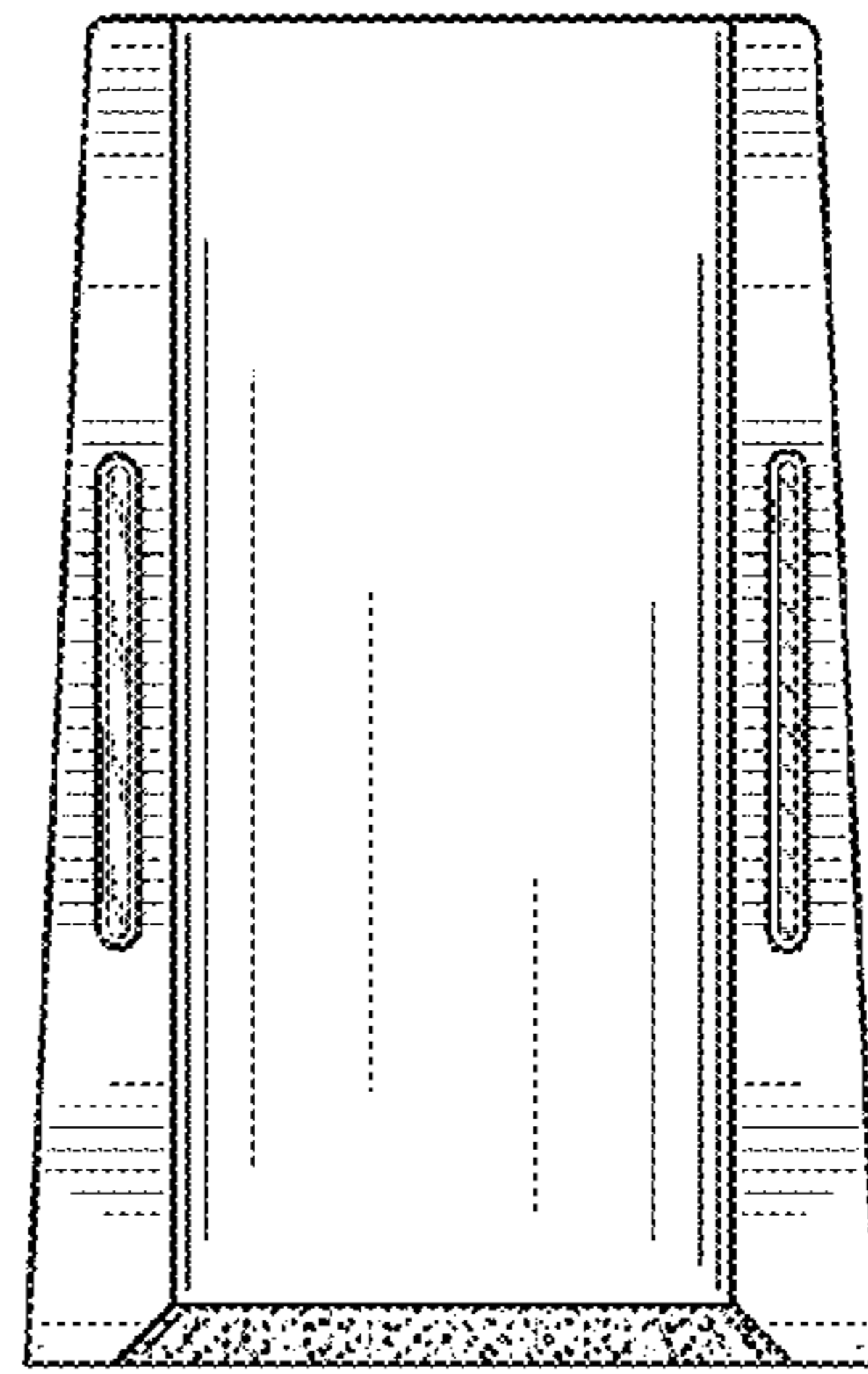


FIG. 11

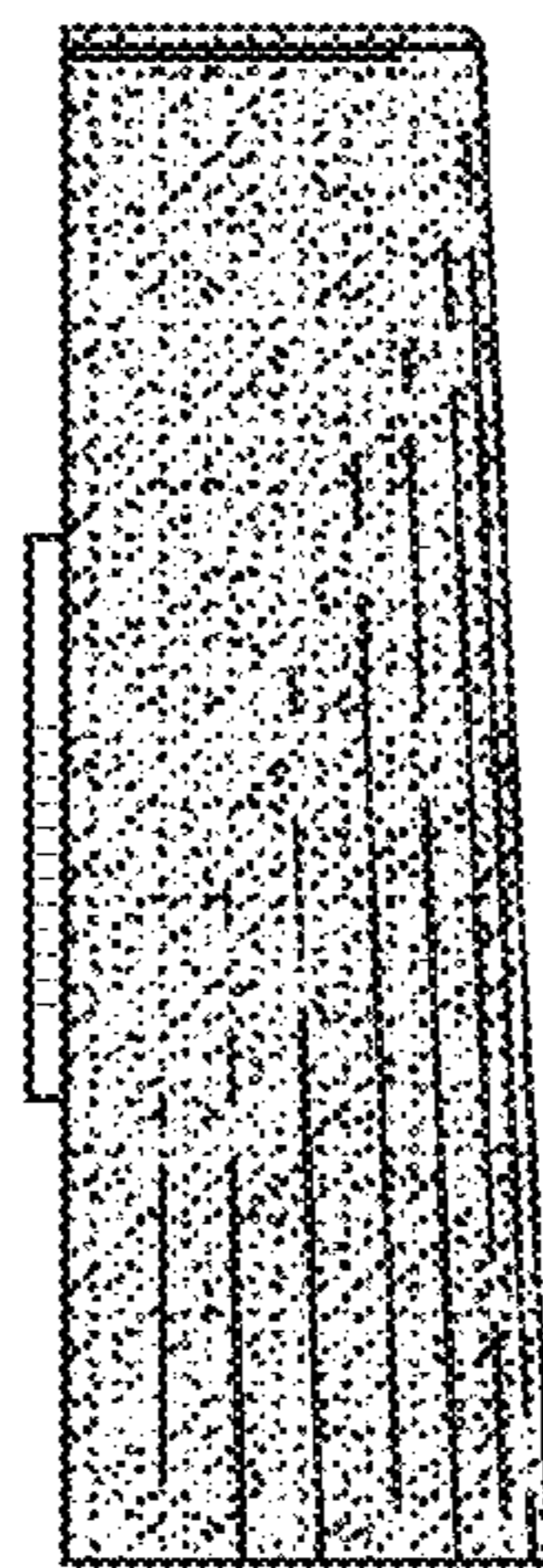


FIG. 12

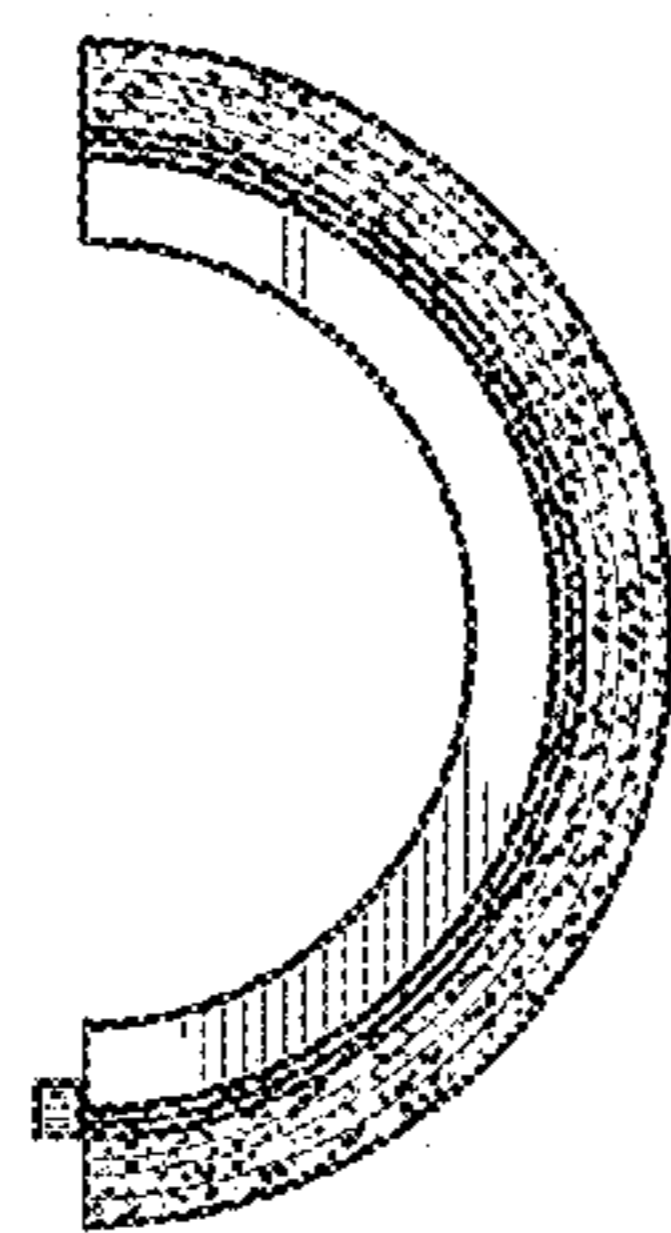


FIG. 13

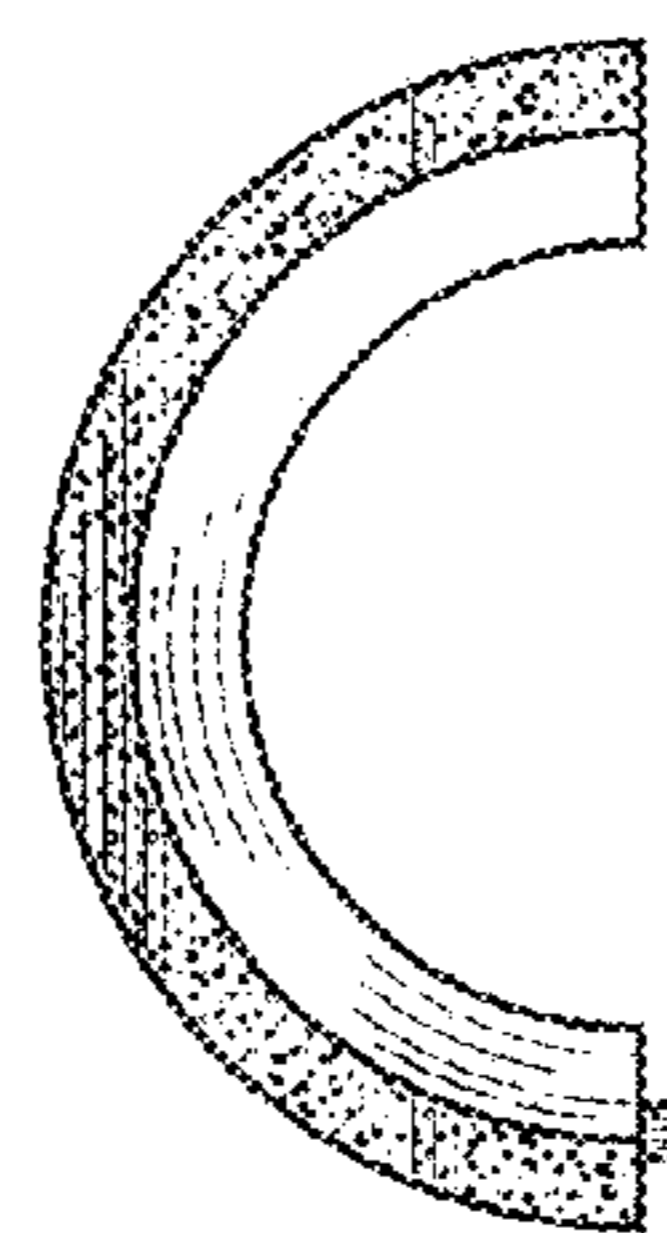


FIG. 14