



US00D740378S

(12) **United States Design Patent**
Walsh-Gomez

(10) **Patent No.:** **US D740,378 S**

(45) **Date of Patent:** **** Oct. 6, 2015**

(54) **YOGA BLOCK**

(71) Applicant: **Theresa M. Walsh-Gomez**, New York, NY (US)

(72) Inventor: **Theresa M. Walsh-Gomez**, New York, NY (US)

(**) Term: **14 Years**

(21) Appl. No.: **29/514,699**

(22) Filed: **Jan. 15, 2015**

(51) **LOC (10) Cl.** **21-02**

(52) **U.S. Cl.**
USPC **D21/662**

(58) **Field of Classification Search**
USPC D7/698, 699, 553.4, 555; D6/374, 716, D6/375, 582, 601, 354, 406.3, 358; D21/688, 686, 662, 671, 680, 682, 694, D21/695, 690, 698, 699, 797, 369; D24/190, 168; D29/120.1; D25/155; D19/133, 26, 32; D3/203.2; D2/897, D2/925, 950, 947; D26/37; 99/472, 467; 269/14, 289 R, 13, 15; 156/250, 256, 156/272.8, 308.2, 330, 60; 206/216; 224/257; 5/420; 428/80

See application file for complete search history.

(56) **References Cited**

U.S. PATENT DOCUMENTS

D339,507 S *	9/1993	Ancona et al.	D7/698
D349,541 S *	8/1994	Bertolucci et al.	D21/686
D387,109 S *	12/1997	Winans	D21/680
D399,888 S *	10/1998	Beam	D21/369
D412,662 S *	8/1999	Giskeødegaard et al.	D9/636
7,318,794 B2	1/2008	Davies	
D639,124 S *	6/2011	Byun	D7/701
D639,876 S *	6/2011	Tsou	D21/686
D645,794 S *	9/2011	Noble et al.	D12/159
8,052,587 B1	11/2011	Wu	

8,840,531 B2	9/2014	Viselman	
D721,545 S *	1/2015	Hollander	D7/620
D724,004 S *	3/2015	McFarlin et al.	D12/419
2004/0192523 A1 *	9/2004	Wu	482/148
2007/0167301 A1	7/2007	Evans	
2007/0219076 A1	9/2007	Axelrod	
2008/0296823 A1 *	12/2008	Pourounidis et al.	269/289 R
2009/0023563 A1	1/2009	Liang	
2009/0062093 A1 *	3/2009	Clark	482/148
2010/0240509 A1 *	9/2010	Chen et al.	482/148
2013/0190151 A1	7/2013	Scholder	
2013/0274078 A1	10/2013	Andrews	
2014/0087930 A1	3/2014	Burns et al.	

OTHER PUBLICATIONS

Gaiam Yoga Block by Gaiam dated Sep. 26, 2010. found online [May 12, 2015] <http://www.amazon.com/Gaiam-PARENT-Yoga-Blocks/dp/B00AJFOEFS>.*

* cited by examiner

Primary Examiner — Robert M Spear

Assistant Examiner — Ryan Harvey

(74) *Attorney, Agent, or Firm* — Matthew J. Lattig; Charter IP, LLC

(57) **CLAIM**

The ornamental design for a yoga block, as shown and described.

DESCRIPTION

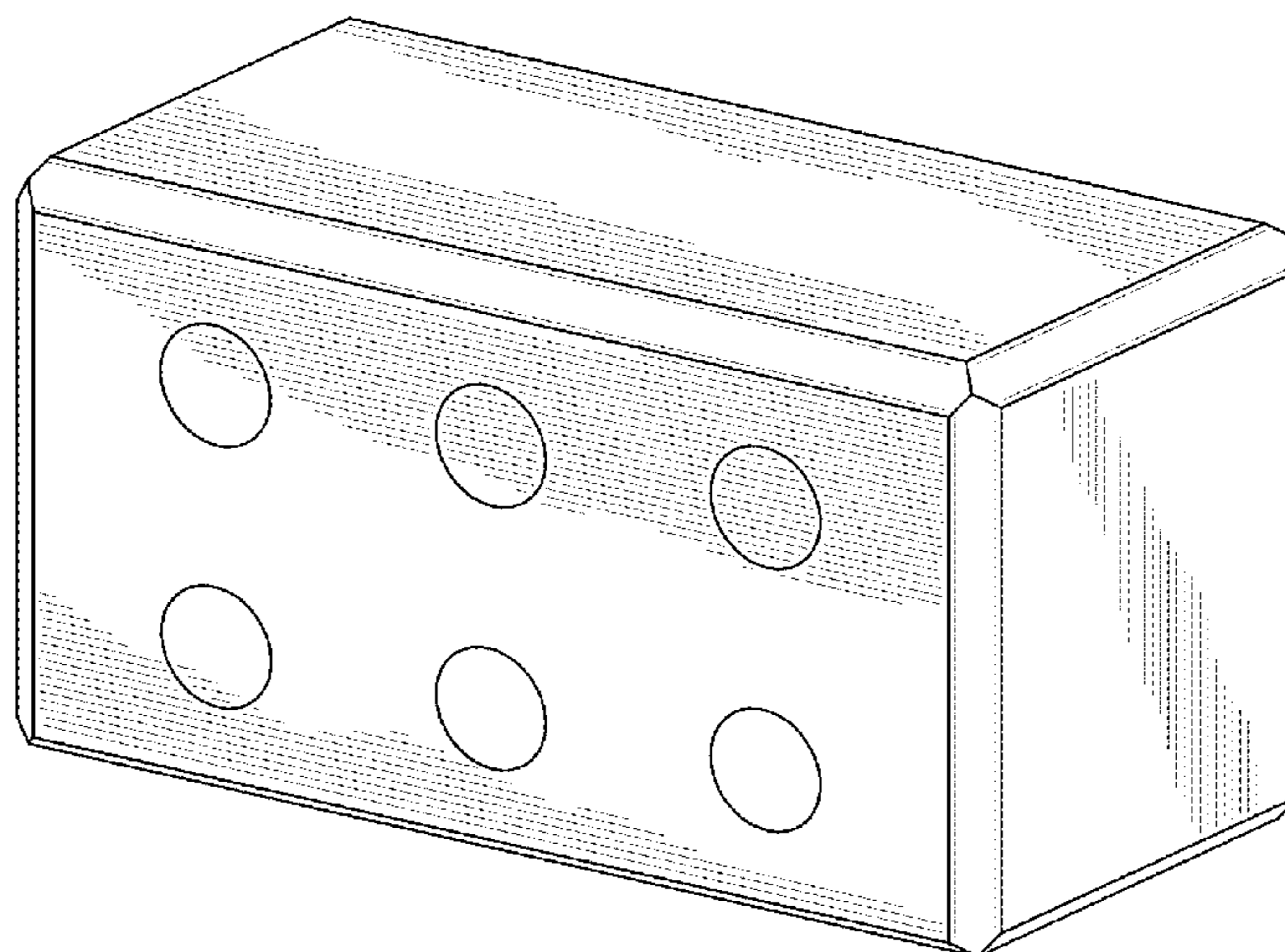
FIG. 1 is a perspective view of a yoga block showing my new design.

FIG. 2 is a front view thereof, the rear view being a mirror-image of the front view and hence not depicted.

FIG. 3 is a left side view thereof, the right side view being a mirror-image of the left side view and hence not depicted; and,

FIG. 4 is a top view thereof, the bottom view being a mirror-image of the top view and hence not depicted.

1 Claim, 2 Drawing Sheets



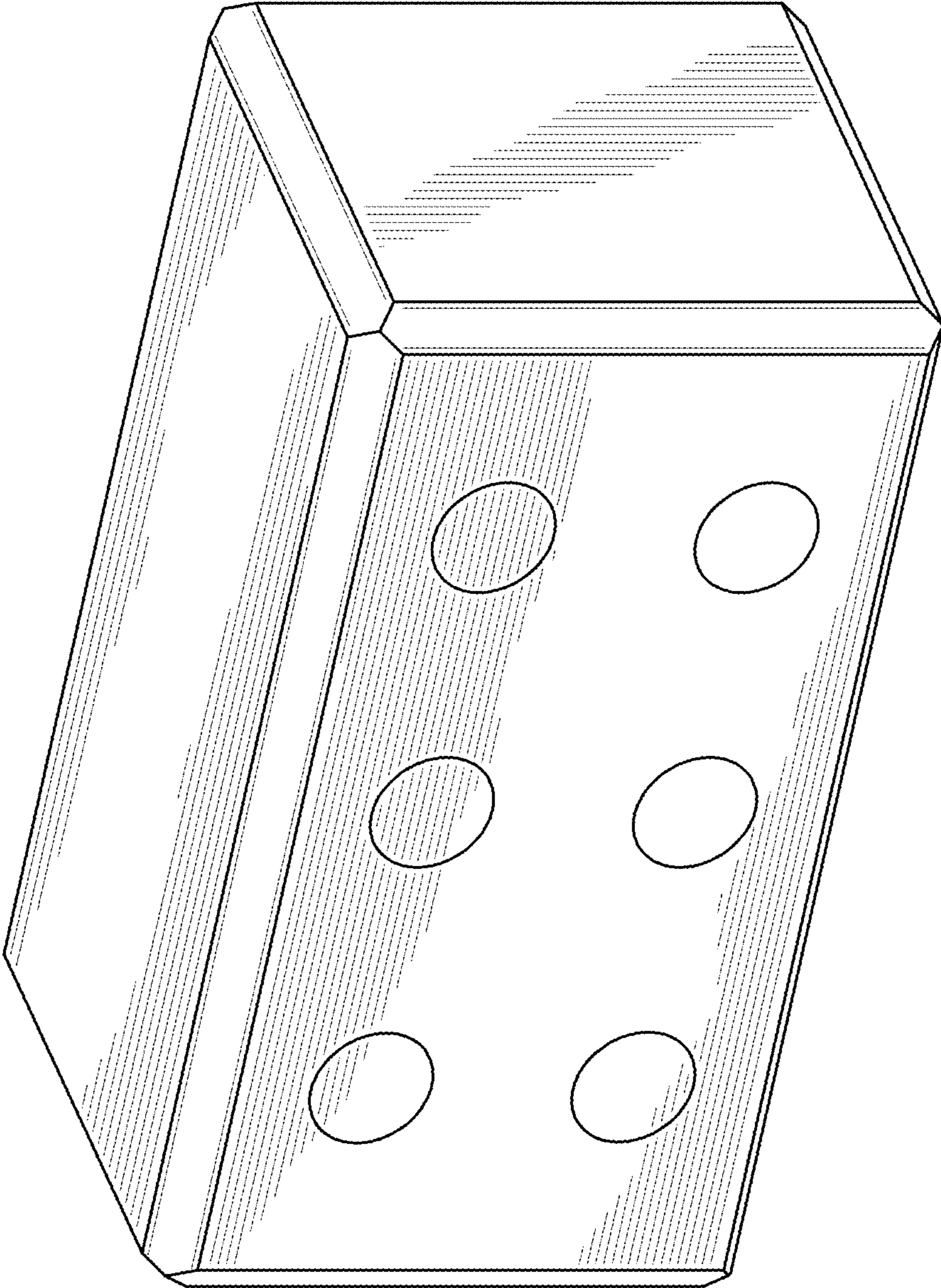


FIG. 1

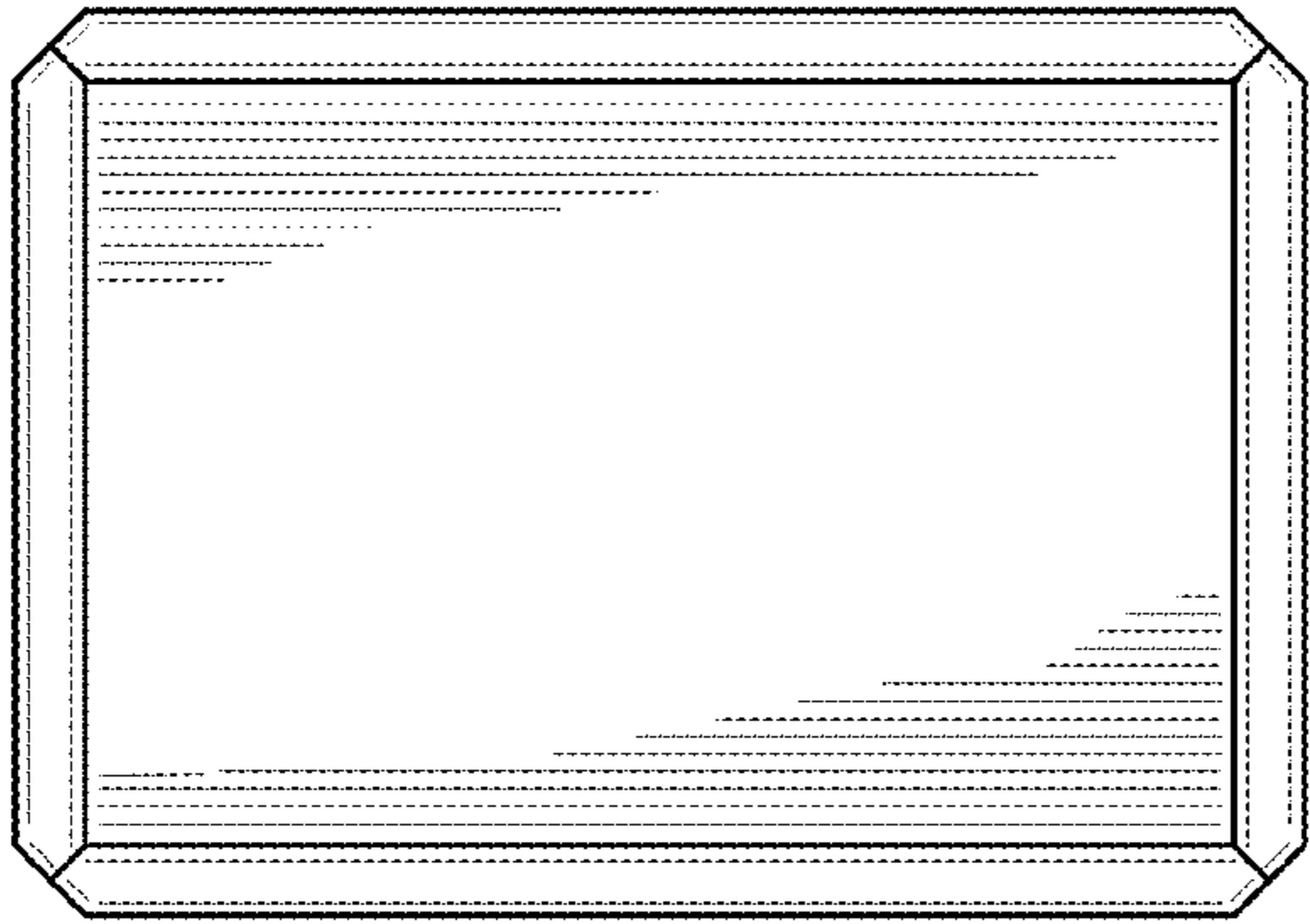


FIG. 3

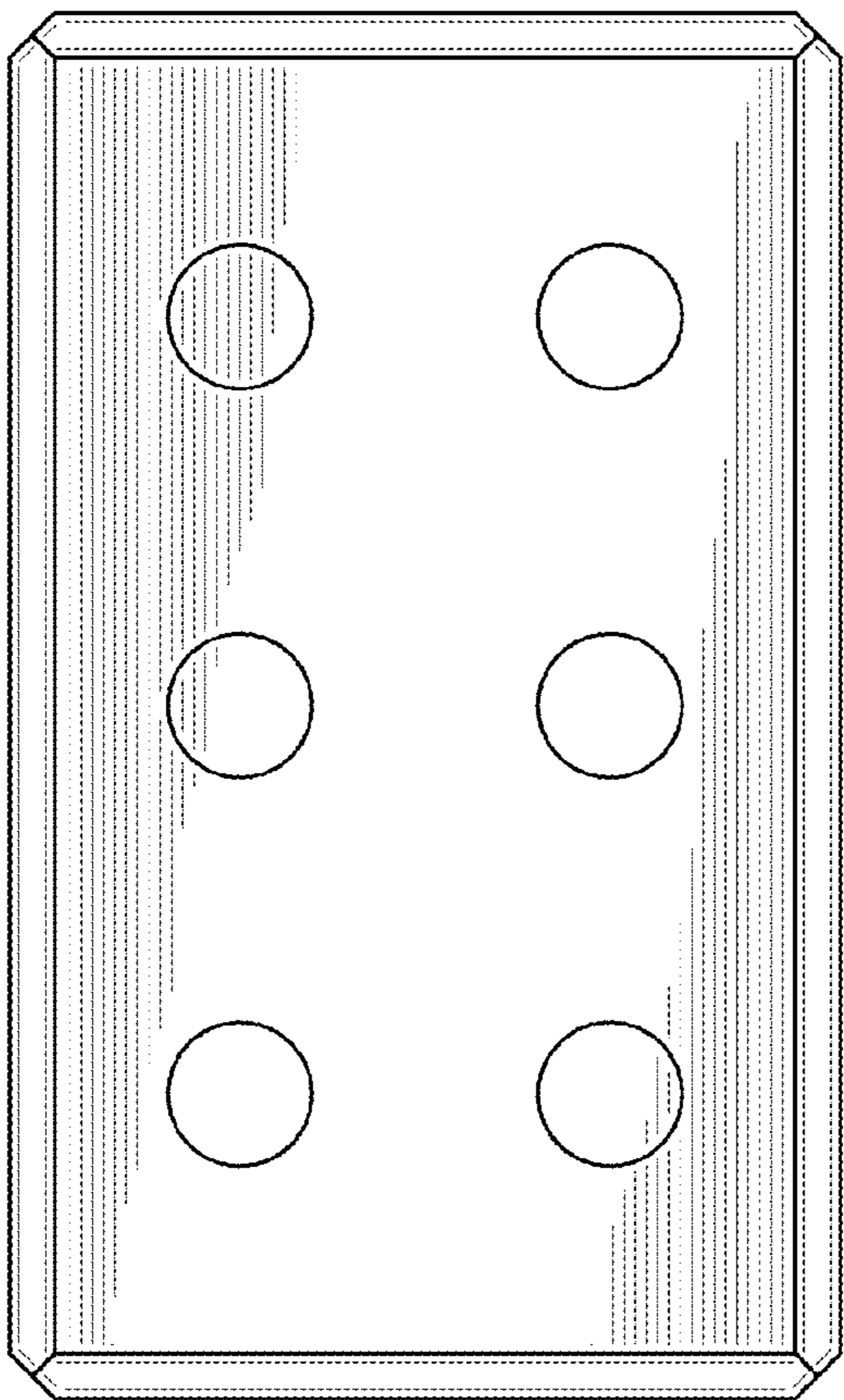


FIG. 2

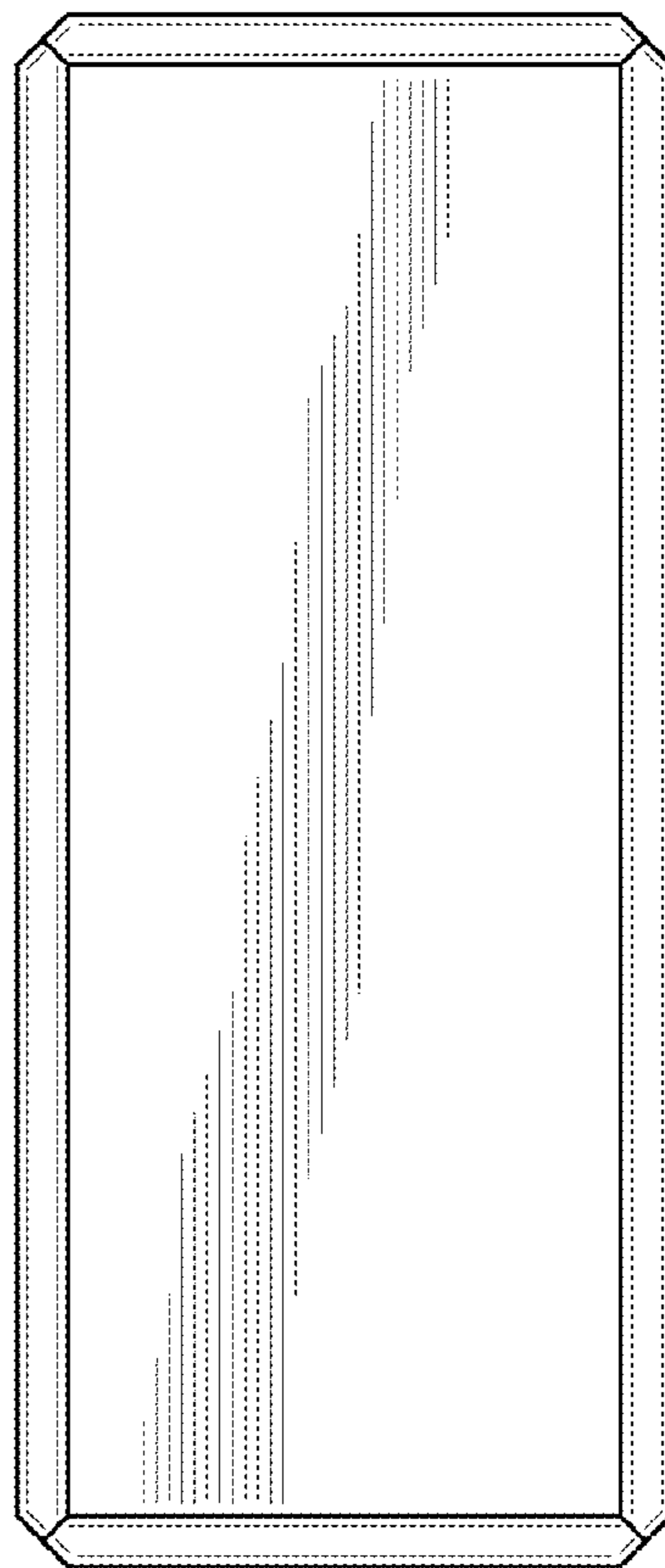


FIG. 4