

US00D740377S

(12) **United States Design Patent**
Halper, Jr.

(10) **Patent No.:** **US D740,377 S**

(45) **Date of Patent:** **** Oct. 6, 2015**

(54) **SLIDABLE EXERCISE DEVICE FOR THE ARM**

(71) Applicant: **George E. Halper, Jr.**, Cape Coral, FL (US)

(72) Inventor: **George E. Halper, Jr.**, Cape Coral, FL (US)

(**) Term: **14 Years**

(21) Appl. No.: **29/490,217**

(22) Filed: **May 7, 2014**

(51) **LOC (10) Cl.** **21-02**

(52) **U.S. Cl.**
USPC **D21/662**

(58) **Field of Classification Search**
USPC D21/662, 660, 772, 668, 687, 686, 673, D21/674, 665; D3/226, 301; 224/222, 250; D6/327, 320, 324; D24/192; D2/909, D2/914, 913, 946; D29/121.2, 120.1; 36/136, 71.5, 96, 115, 75 R; 482/71, 482/146, 51, 79, 70, 54, 73, 141, 139, 62, 482/128, 130; 280/811, 87.042, 11.212; 2/22; 114/61.22; 440/21, 24; 188/29
CPC A63B 22/02; A63B 21/0552; A63B 21/1469; A63B 23/03541; A63B 71/1225; A63B 2071/1258; A43B 23/24; A43B 5/00; A43B 3/16; A43B 5/18
See application file for complete search history.

(56) **References Cited**

U.S. PATENT DOCUMENTS

4,179,134 A * 12/1979 Atkinson 280/87.042
D299,369 S * 1/1989 Smith et al. D21/668

D335,905 S * 5/1993 Cutter et al. D21/668
D343,214 S * 1/1994 Easley et al. D21/668
5,342,266 A * 8/1994 Dailey 482/71
D351,435 S * 10/1994 Peterson et al. D21/668
D352,535 S * 11/1994 Miller D21/668
5,499,957 A * 3/1996 Metcalf et al. 482/70
D375,767 S * 11/1996 Camfield et al. D21/668
5,702,274 A * 12/1997 White 440/21
5,830,114 A * 11/1998 Halfen et al. 482/70
D425,940 S * 5/2000 Halfen et al. D21/668
2010/0144496 A1 * 6/2010 Schmidt 482/70
2012/0277068 A1 * 11/2012 Zhou et al. 482/71
2015/0190679 A1 * 7/2015 Carbone et al. 482/146

* cited by examiner

Primary Examiner — Robert M Spear

Assistant Examiner — Ryan Harvey

(74) *Attorney, Agent, or Firm* — Kelly & Krause, L.P.; W. Dennis Drehkoff

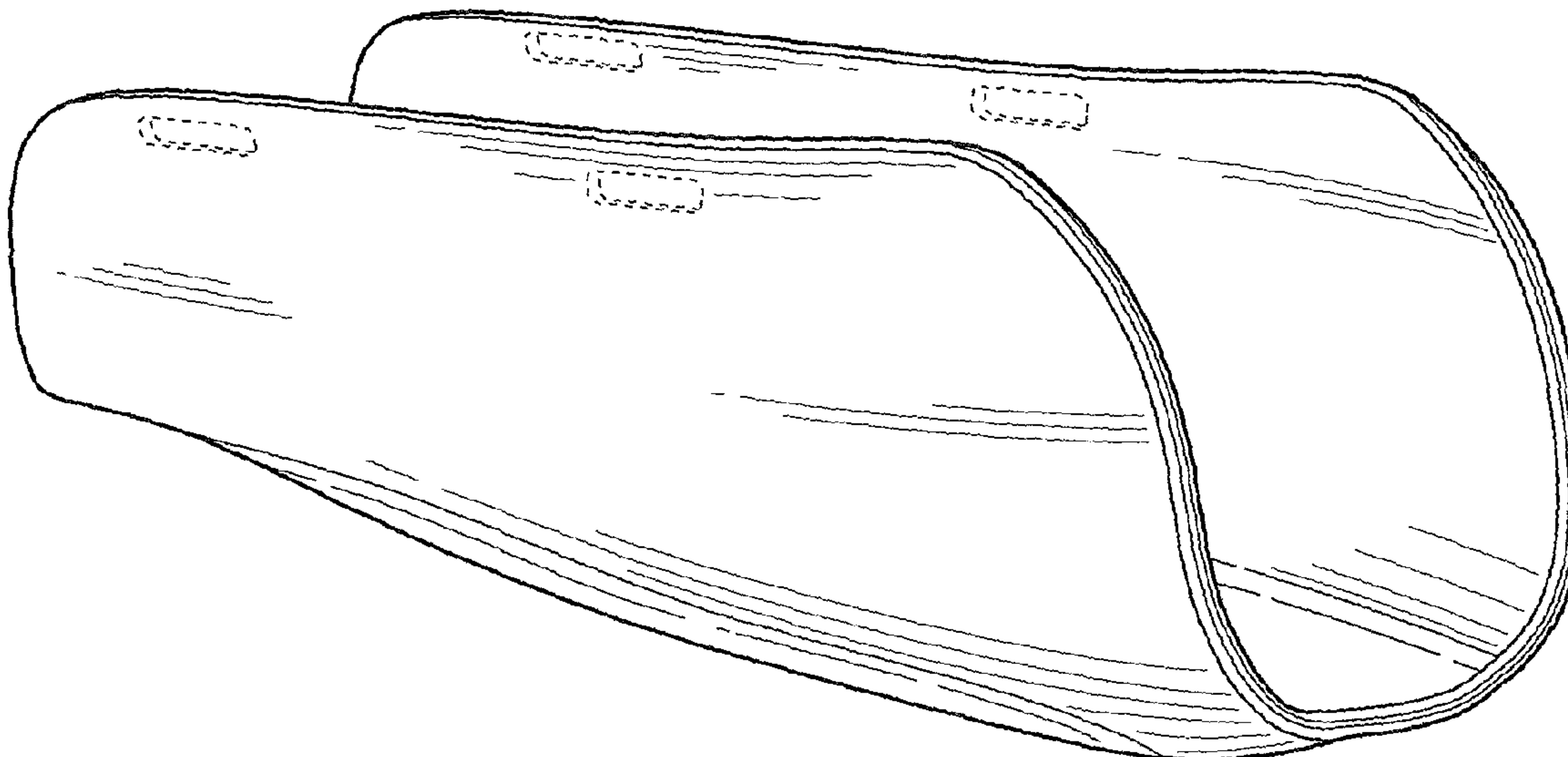
(57) **CLAIM**

The ornamental design for a slidable exercise device for the arm, as shown and described.

DESCRIPTION

FIG. 1 is a perspective view of a slidable exercise device for the arm showing my new design;
FIG. 2 is a front view thereof;
FIG. 3 is a rear view thereof;
FIG. 4 is a side view thereof;
FIG. 5 is a side view thereof;
FIG. 6 is a top view thereof;
FIG. 7 is a bottom view thereof; and,
FIG. 8 is a perspective view of the bottom.

1 Claim, 5 Drawing Sheets



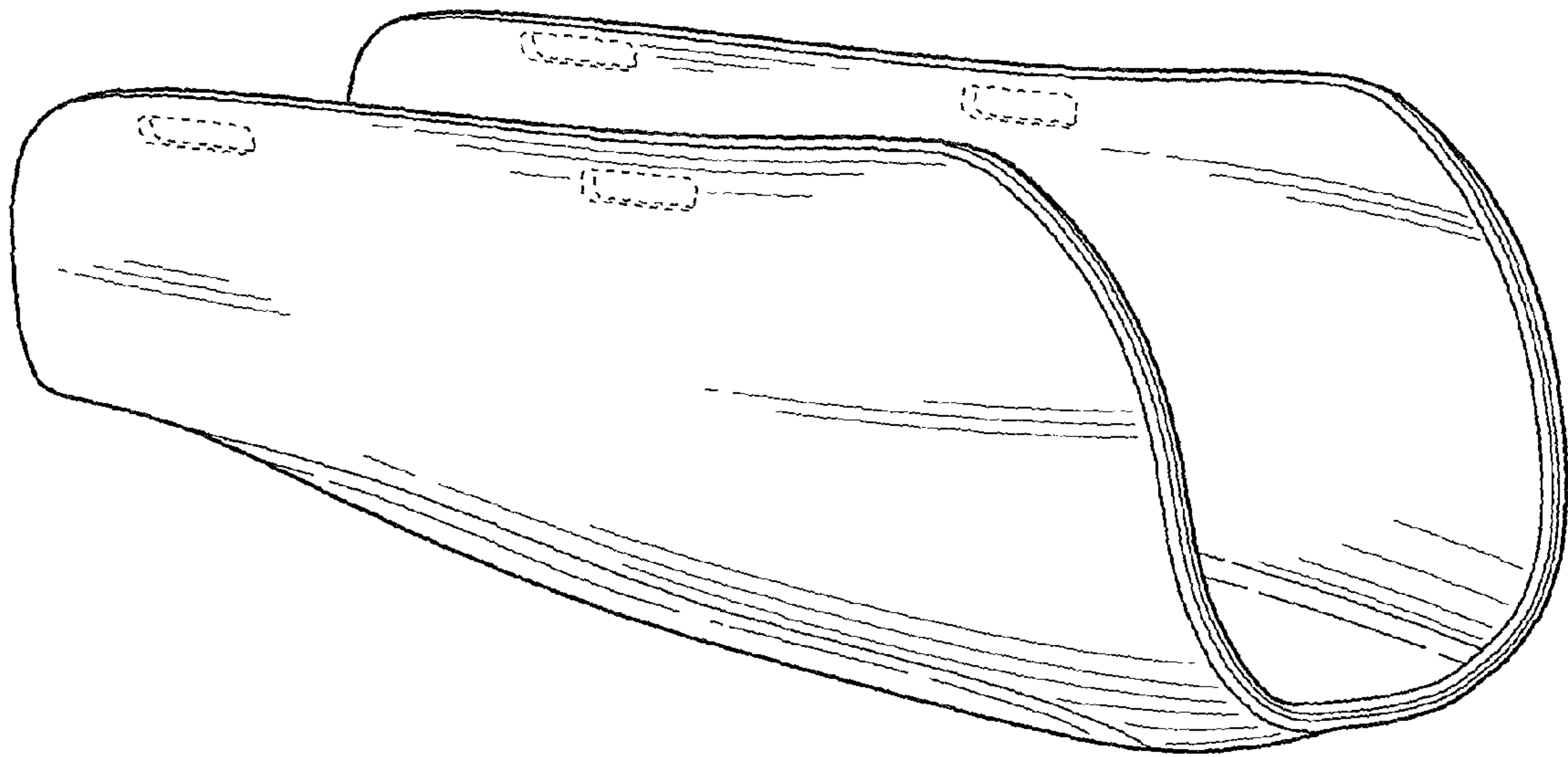


FIG. 1

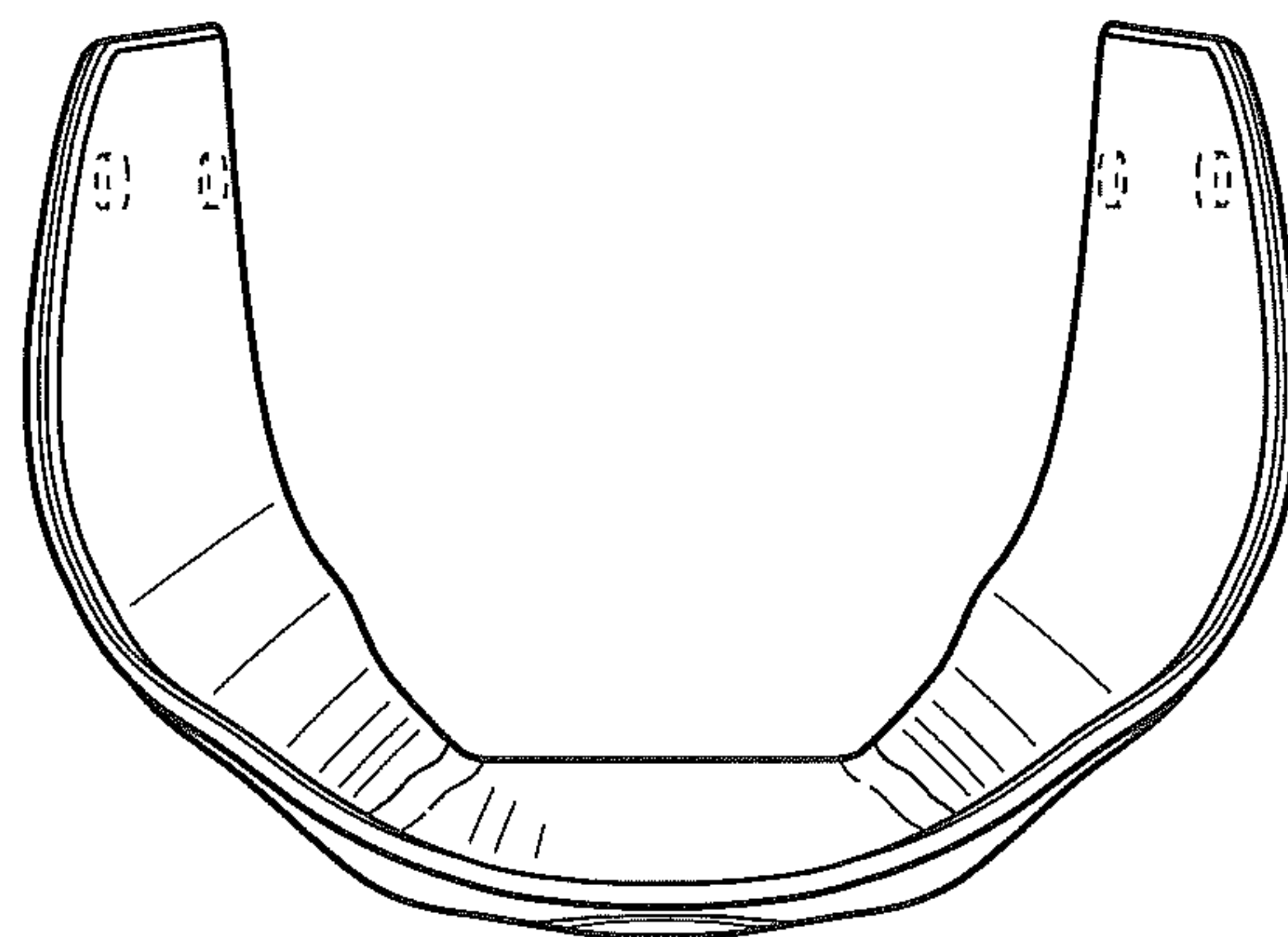


FIG. 2

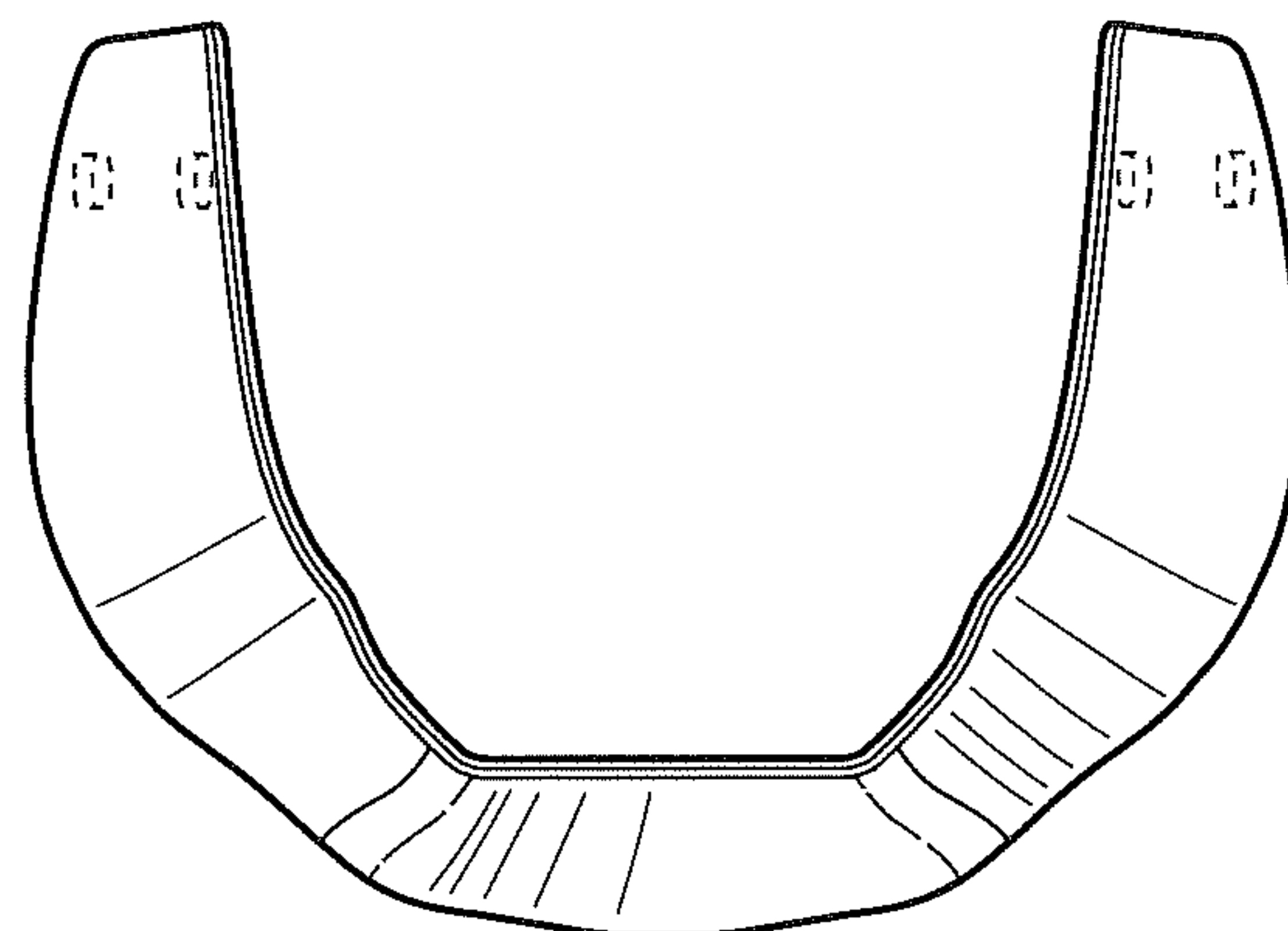


FIG. 3

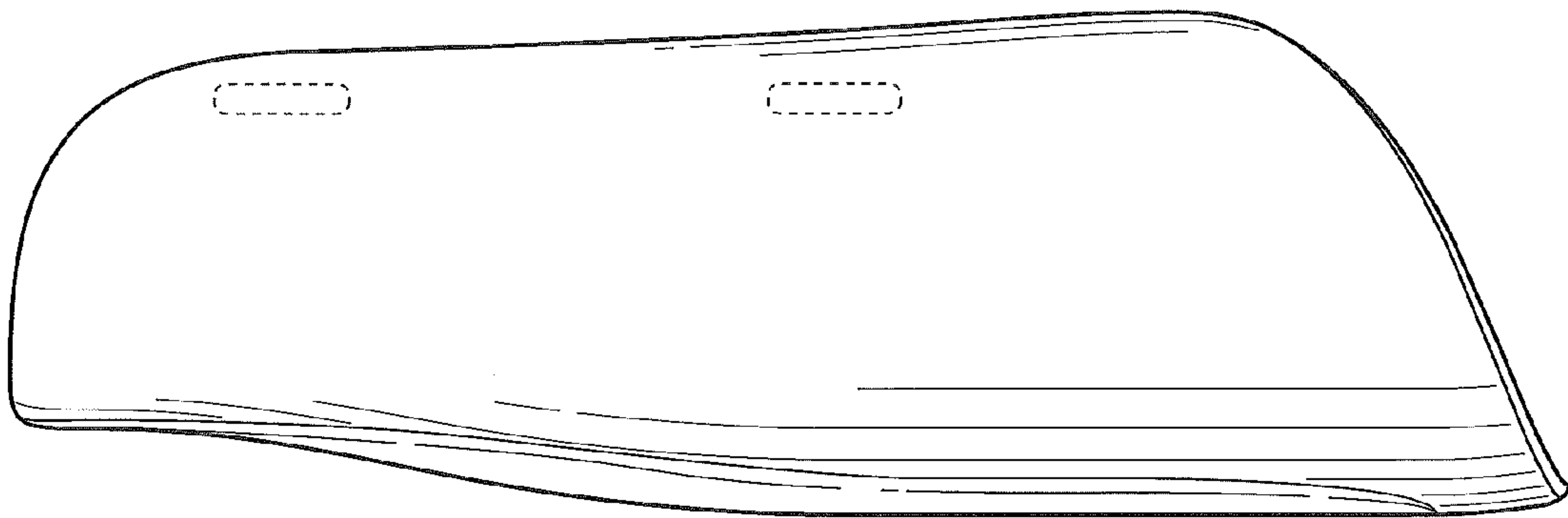


FIG. 4

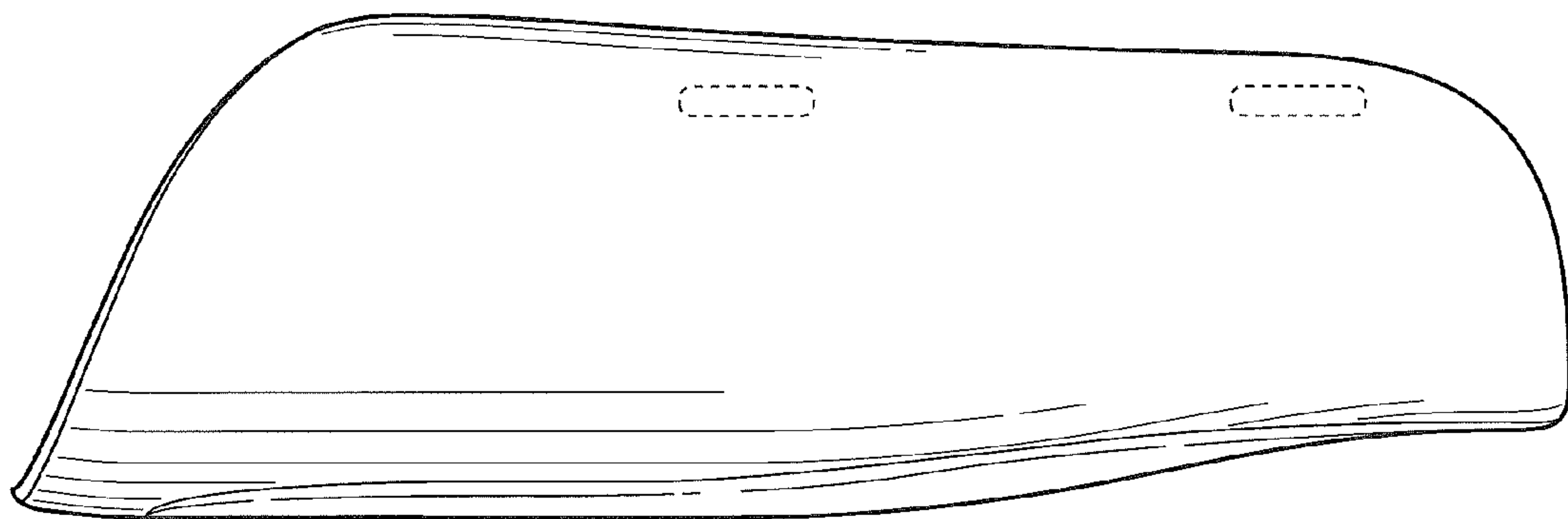


FIG. 5

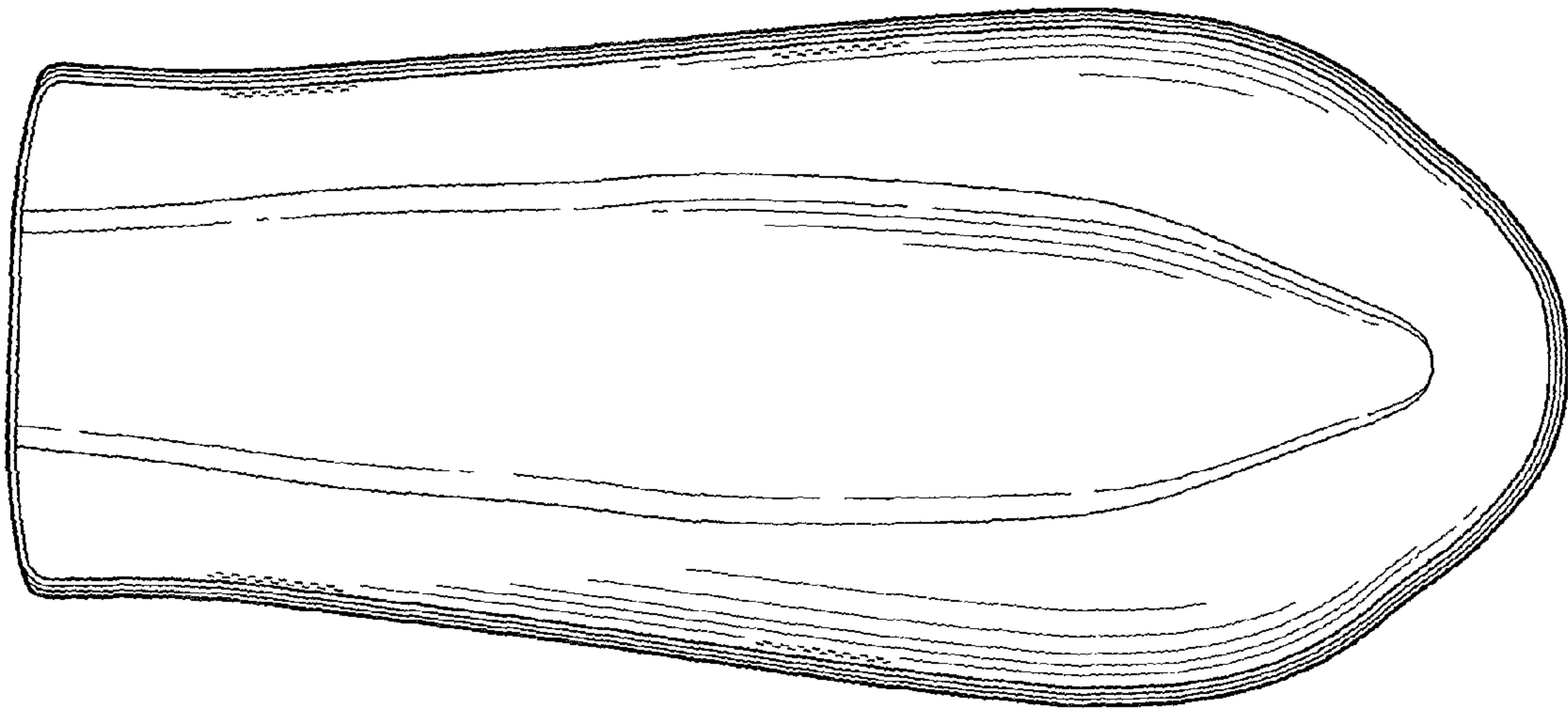


FIG. 6

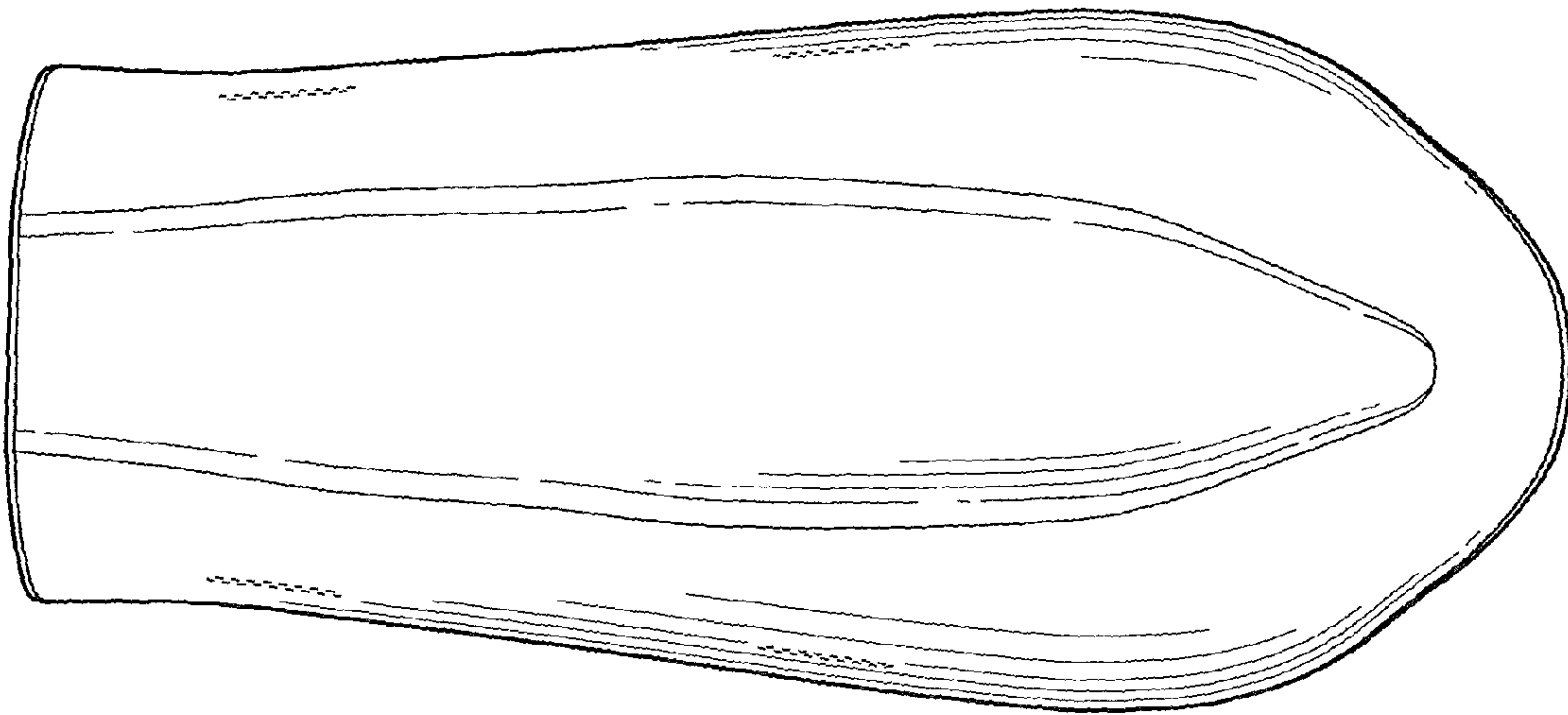


FIG. 7

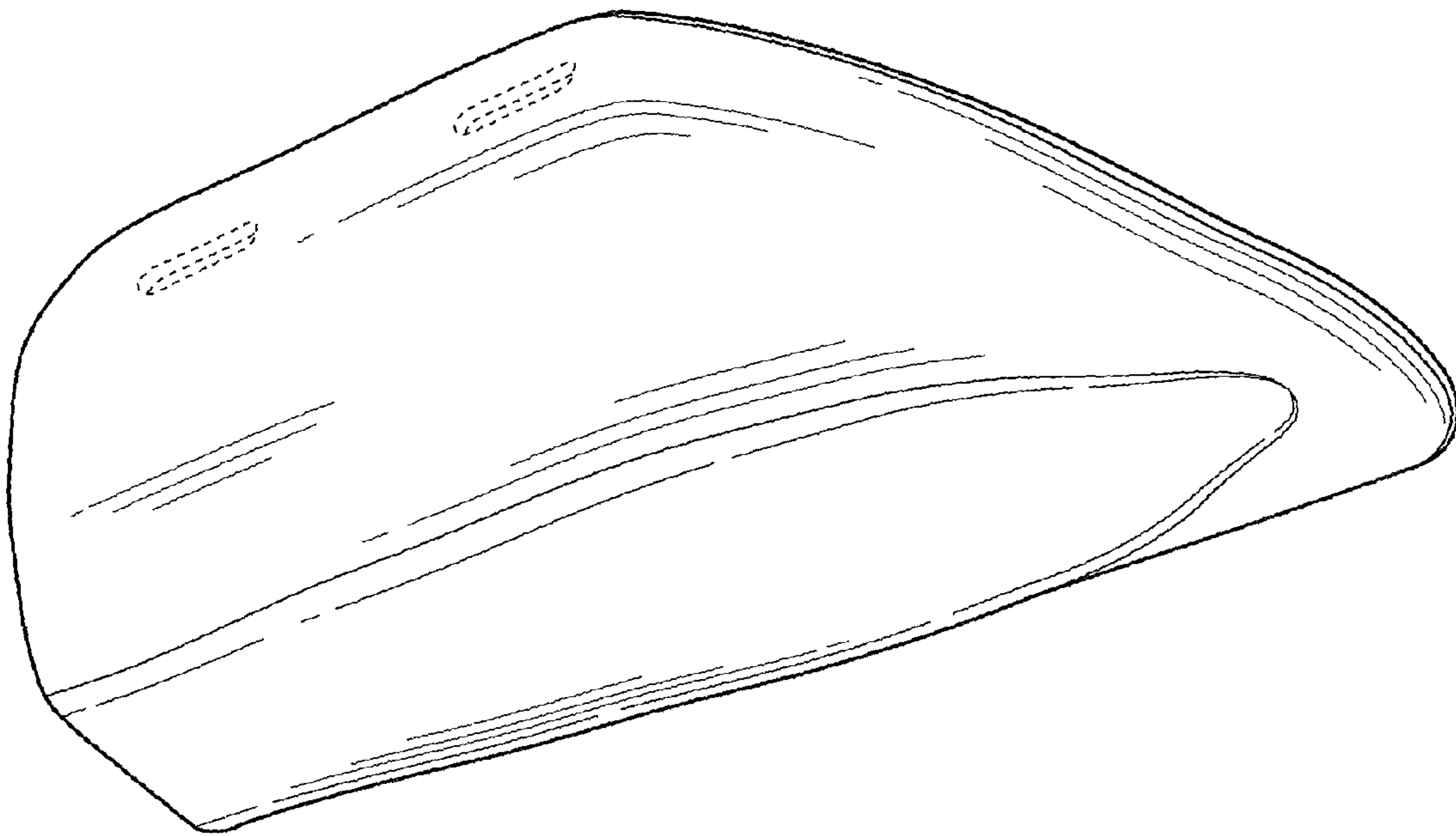


FIG. 8