



US00D740376S

(12) **United States Design Patent**  
**Rehkemper et al.**

(10) **Patent No.:** **US D740,376 S**  
(45) **Date of Patent:** **\*\* Oct. 6, 2015**

(54) **DOLL**

(71) Applicant: **Rehco, LLC**, Chicago, IL (US)

(72) Inventors: **Steven Rehkemper**, Chicago, IL (US);  
**Ana Sessler**, Chicago, IL (US)

(73) Assignee: **Rehco, LLC**, Chicago, IL (US)

(\*\*) Term: **14 Years**

(21) Appl. No.: **29/458,743**

(22) Filed: **Jun. 21, 2013**

(51) **LOC (10) Cl.** ..... **21-01**

(52) **U.S. Cl.**  
USPC ..... **D21/649**; D21/626

(58) **Field of Classification Search**  
USPC ..... D21/621, 623–625, 628, 630–640,  
D21/643–649, 659; 446/268, 360, 361, 376,  
446/379, 382–384; D6/595–601;  
D20/31–33  
CPC ..... A63H 3/36  
See application file for complete search history.

(56) **References Cited**

**U.S. PATENT DOCUMENTS**

5,172,863 A \* 12/1992 Melone et al. .... 239/211  
D372,277 S \* 7/1996 Henley ..... D21/436

(Continued)

*Primary Examiner* — Zenia Bennett

(74) *Attorney, Agent, or Firm* — Brooks Kushman P.C.

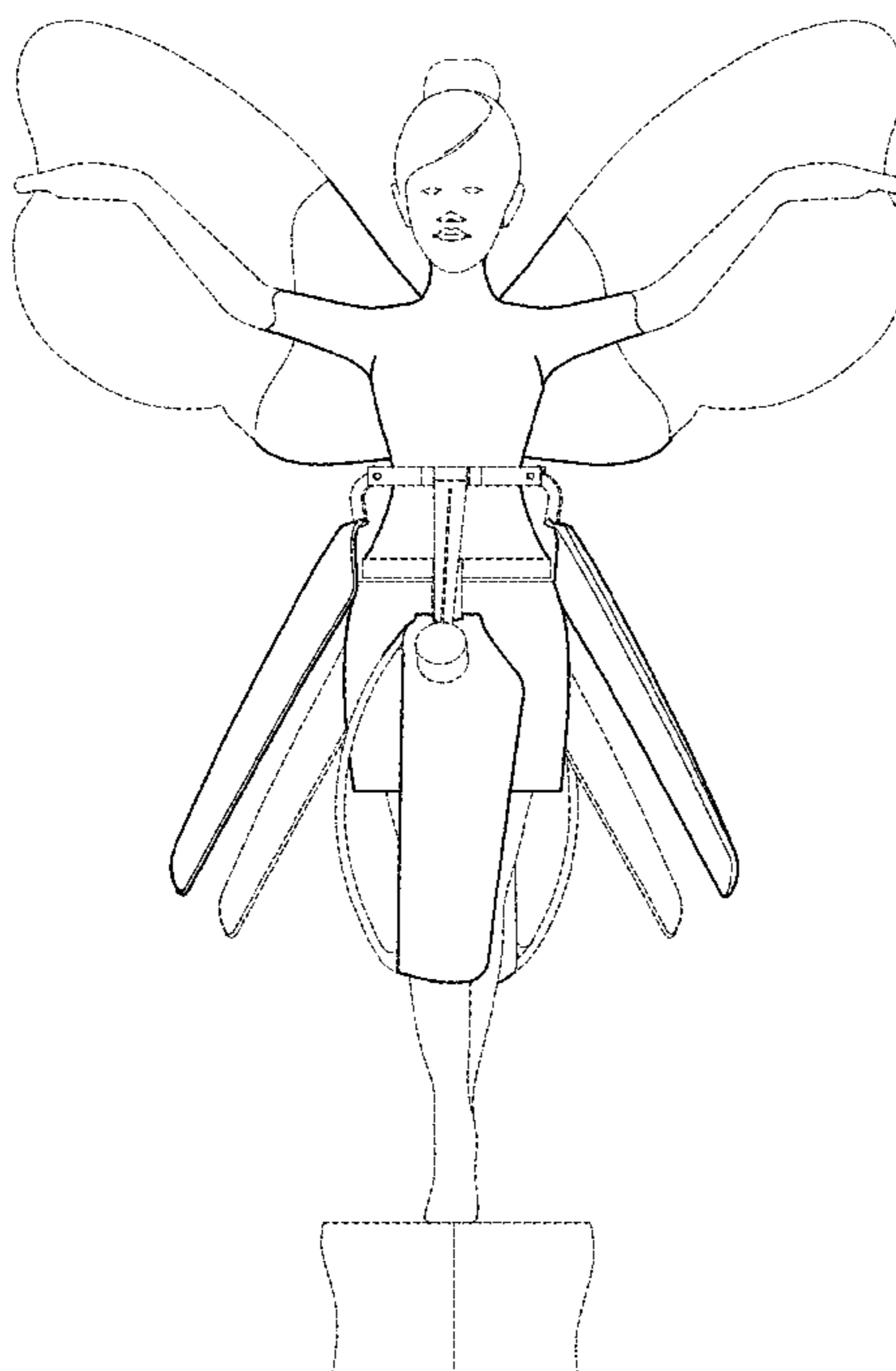
(57) **CLAIM**

The ornamental design for a doll, as shown and described.

**DESCRIPTION**

FIG. 1 is a front perspective view of a doll according to an embodiment;  
FIG. 2 is a front view of the doll of FIG. 1;  
FIG. 3 is a rear view of the doll of FIG. 1;  
FIG. 4 is a right side view of the doll of FIG. 1;  
FIG. 5 is a left side view of the doll of FIG. 1;  
FIG. 6 is a top view of the doll of FIG. 1;  
FIG. 7 is a front perspective view of a doll according to an embodiment;  
FIG. 8 is a front view of the doll of FIG. 7;  
FIG. 9 is a rear view of the doll of FIG. 7;  
FIG. 10 is a right side view of the doll of FIG. 7;  
FIG. 11 is a left side view of the doll of FIG. 7;  
FIG. 12 is a top view of the doll of FIG. 7;  
FIG. 13 is a front perspective view of a doll according to an embodiment;  
FIG. 14 is a front view of the doll of FIG. 13;  
FIG. 15 is a rear view of the doll of FIG. 13;  
FIG. 16 is a right side view of the doll of FIG. 13;  
FIG. 17 is a left side view of the doll of FIG. 13;  
FIG. 18 is a top view of the doll of FIG. 13;  
FIG. 19 is a front perspective view of a doll according to an embodiment;  
FIG. 20 is a front view of the doll of FIG. 19;  
FIG. 21 is a rear view of the doll of FIG. 19;  
FIG. 22 is a right side view of the doll of FIG. 19;  
FIG. 23 is a left side view of the doll of FIG. 19; and,  
FIG. 24 is a top view of the doll of FIG. 19.  
The broken lines are for illustrative purposes only and form no part of the claimed design.

**1 Claim, 24 Drawing Sheets**



**US D740,376 S**

Page 2

---

(56)

**References Cited**

U.S. PATENT DOCUMENTS

	D454,365 S *	3/2002	Summers .....	D19/42
	8,282,437 B2 *	10/2012	Norman et al. ....	446/37
	D694,837 S *	12/2013	Sullivan .....	D21/438
5,803,787 A *	9/1998	Kulchyski .....	446/268	* cited by examiner

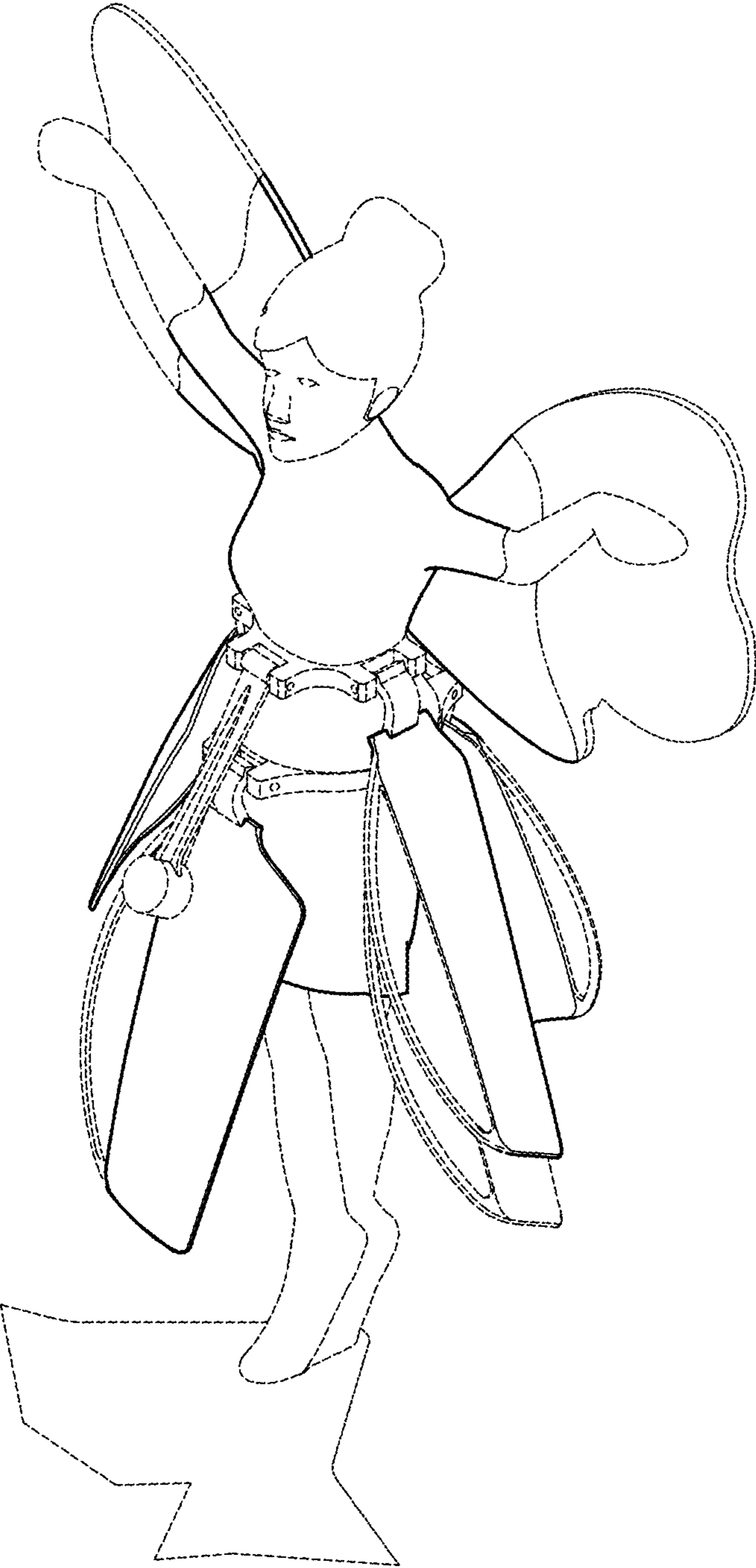


Fig-1

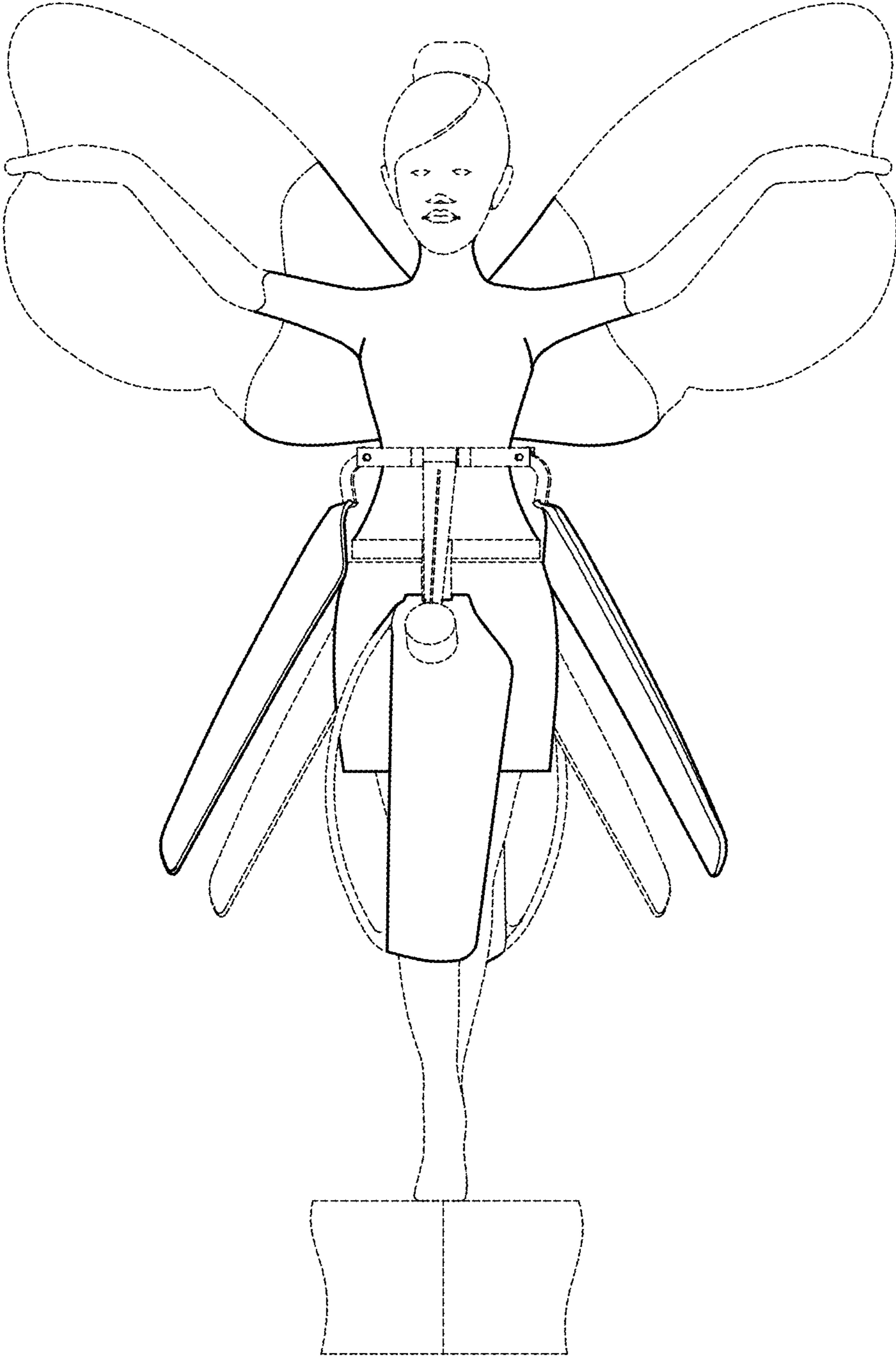


Fig-2

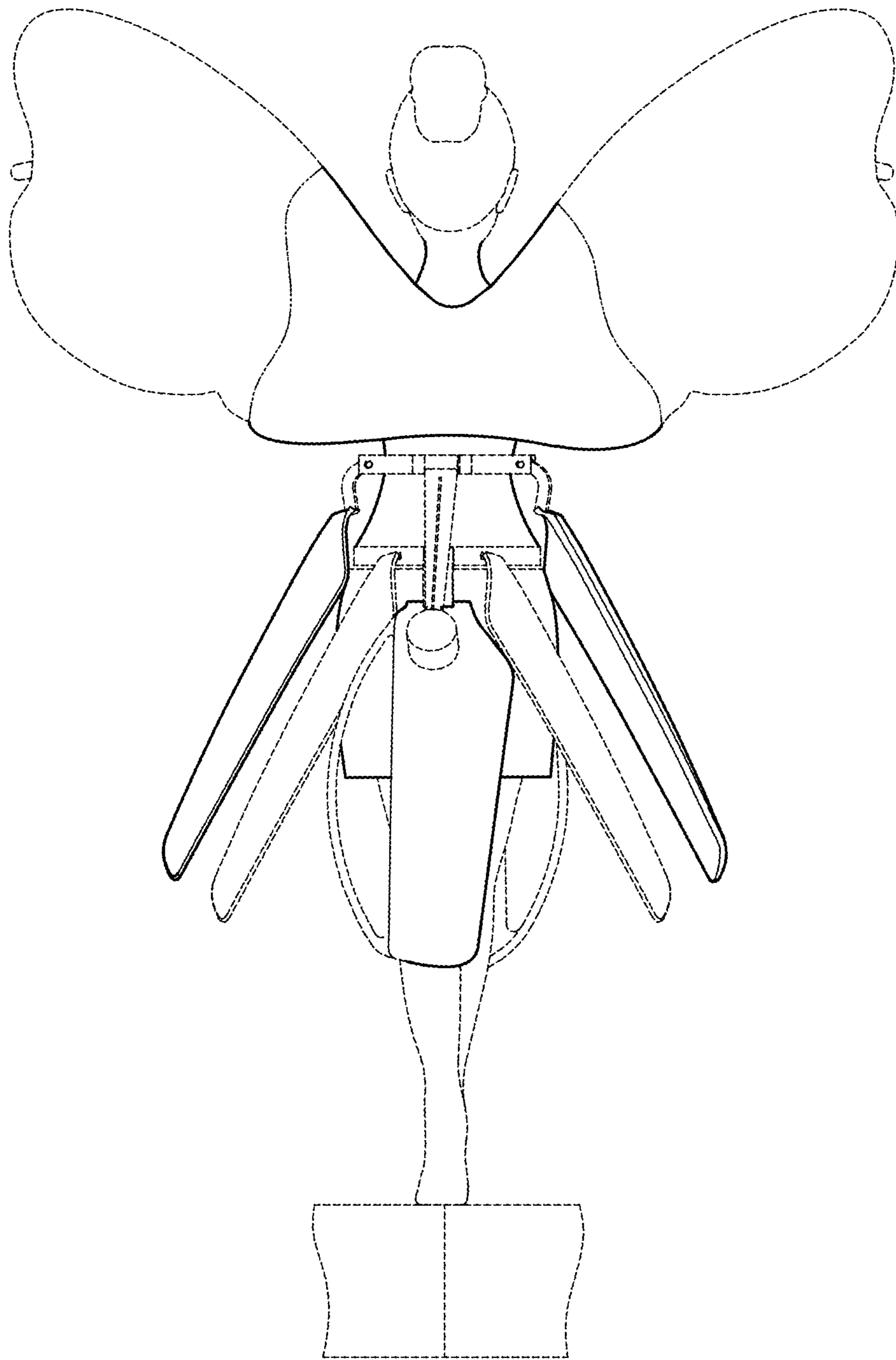


Fig-3

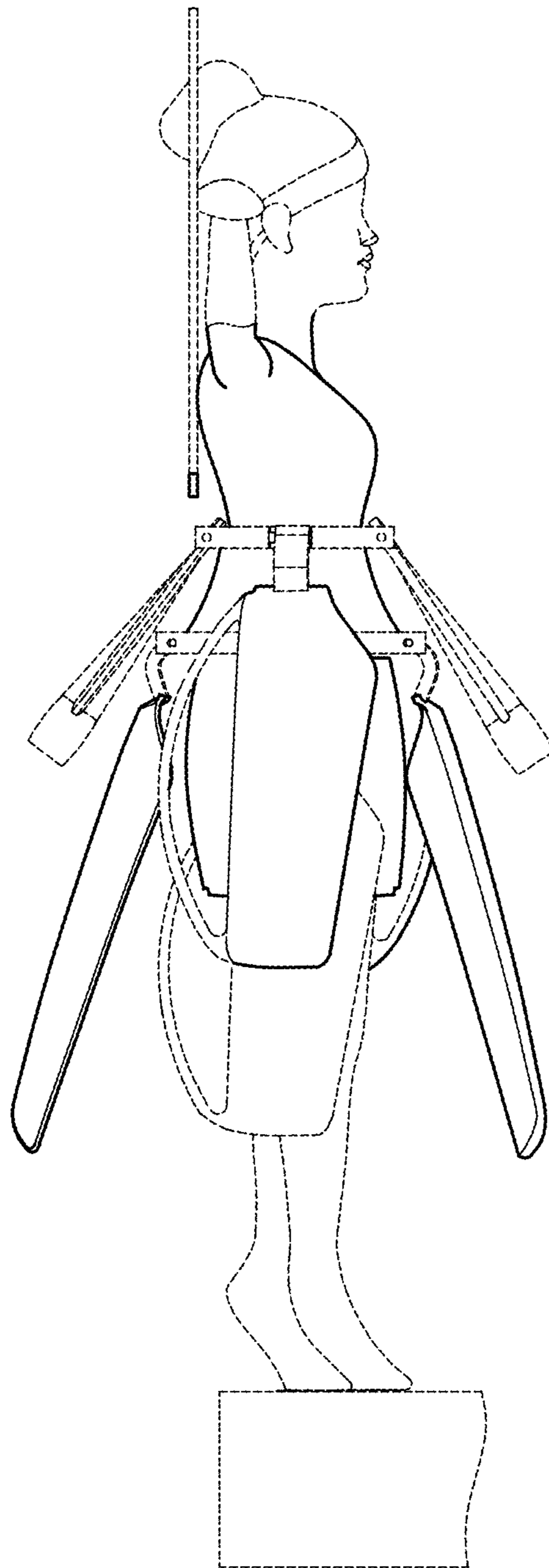


Fig-4

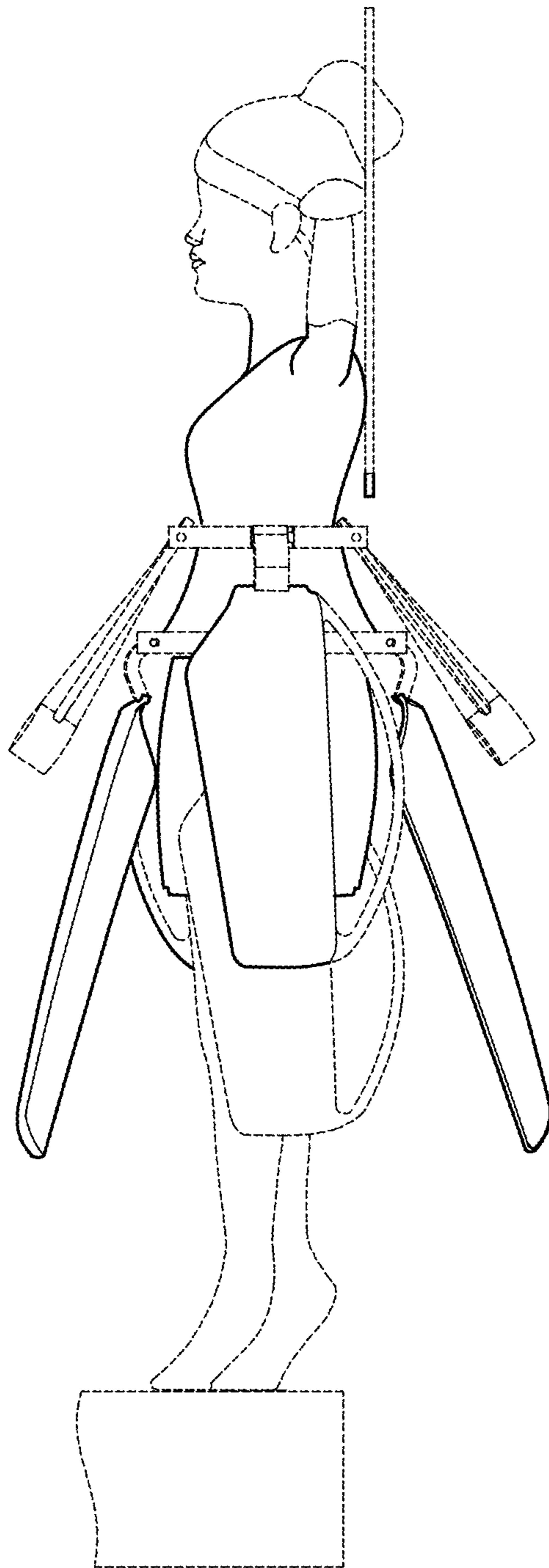


Fig-5

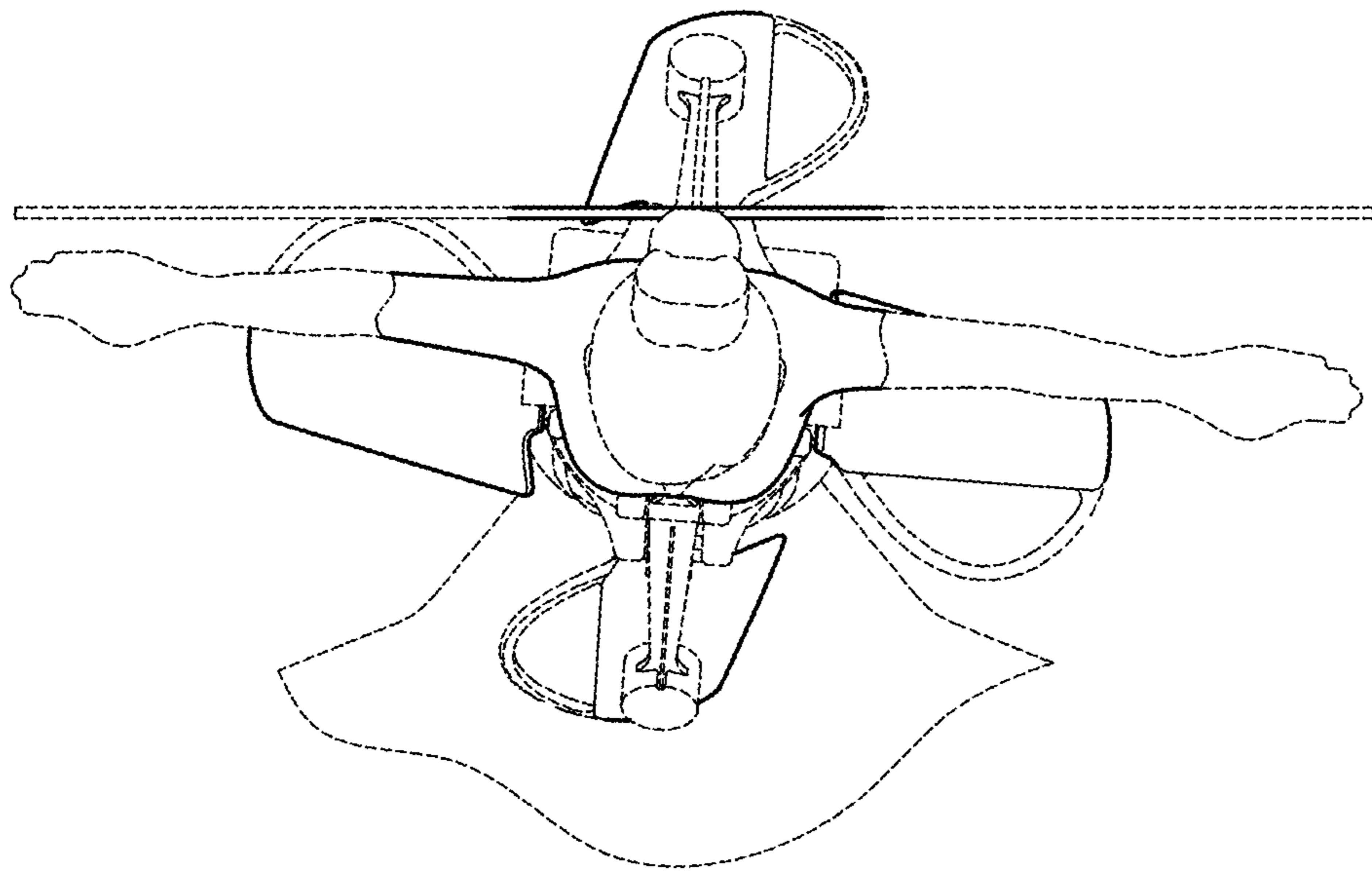


Fig-6



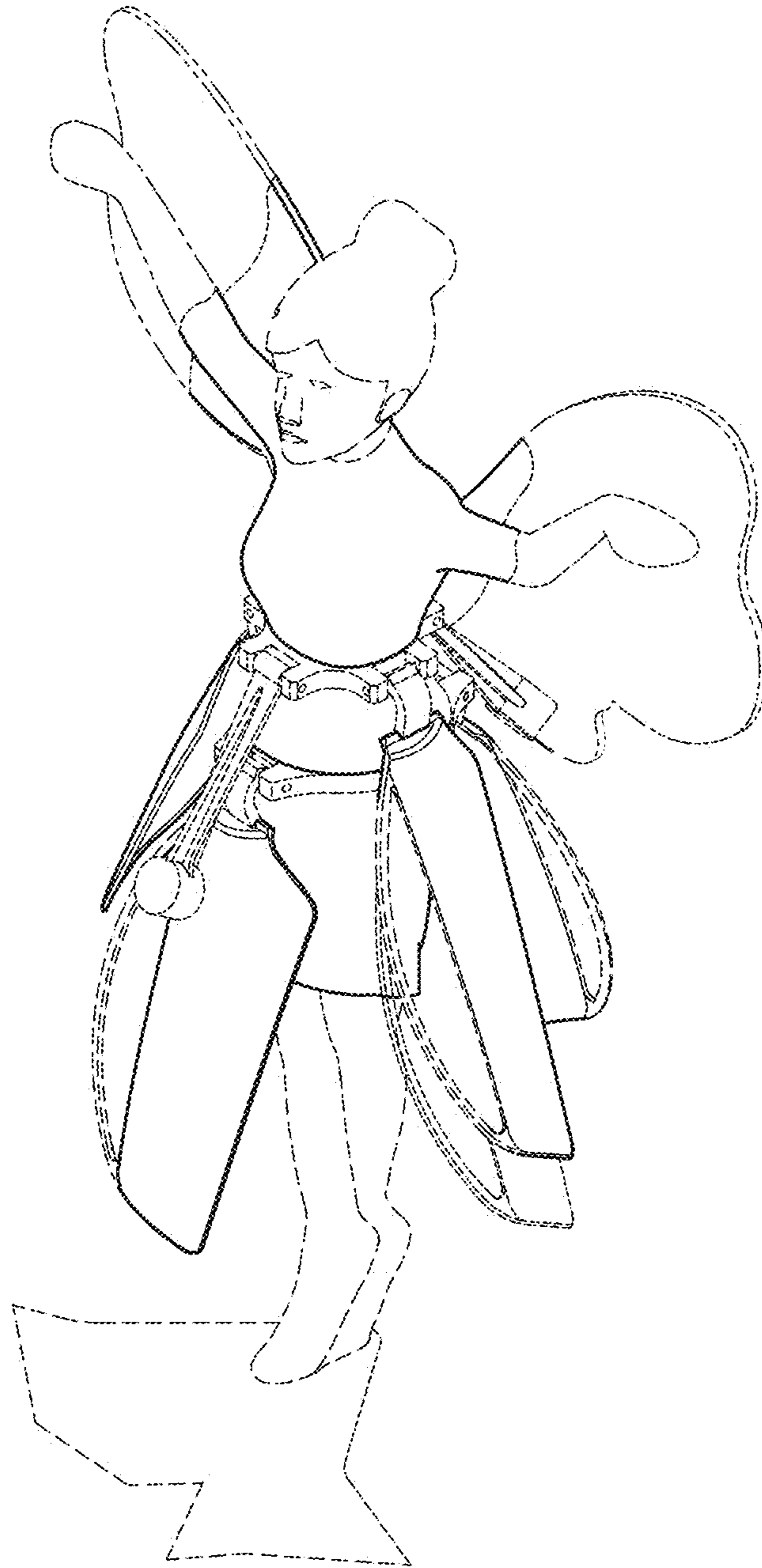


Fig-7

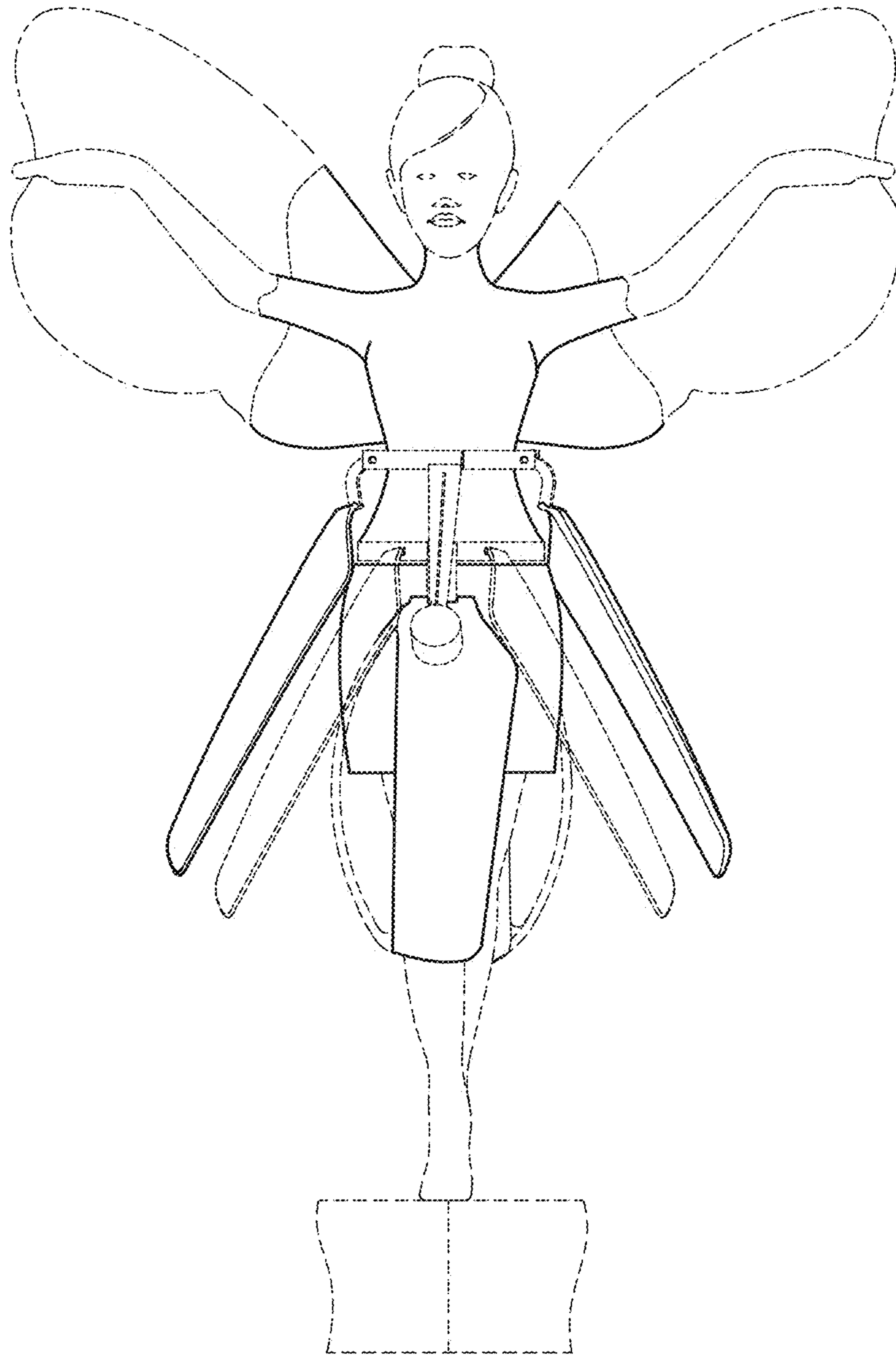


Fig-8

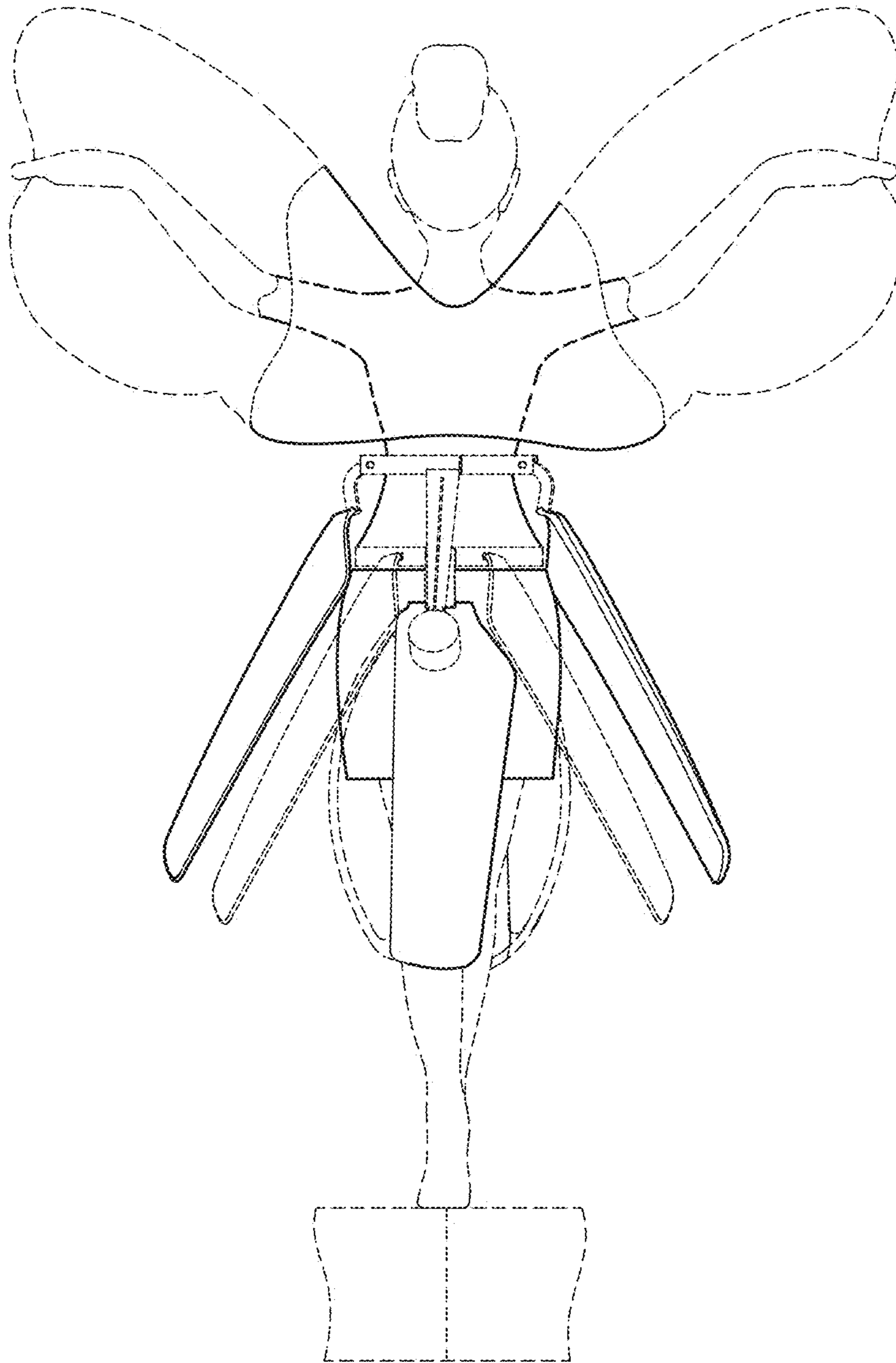


Fig-9

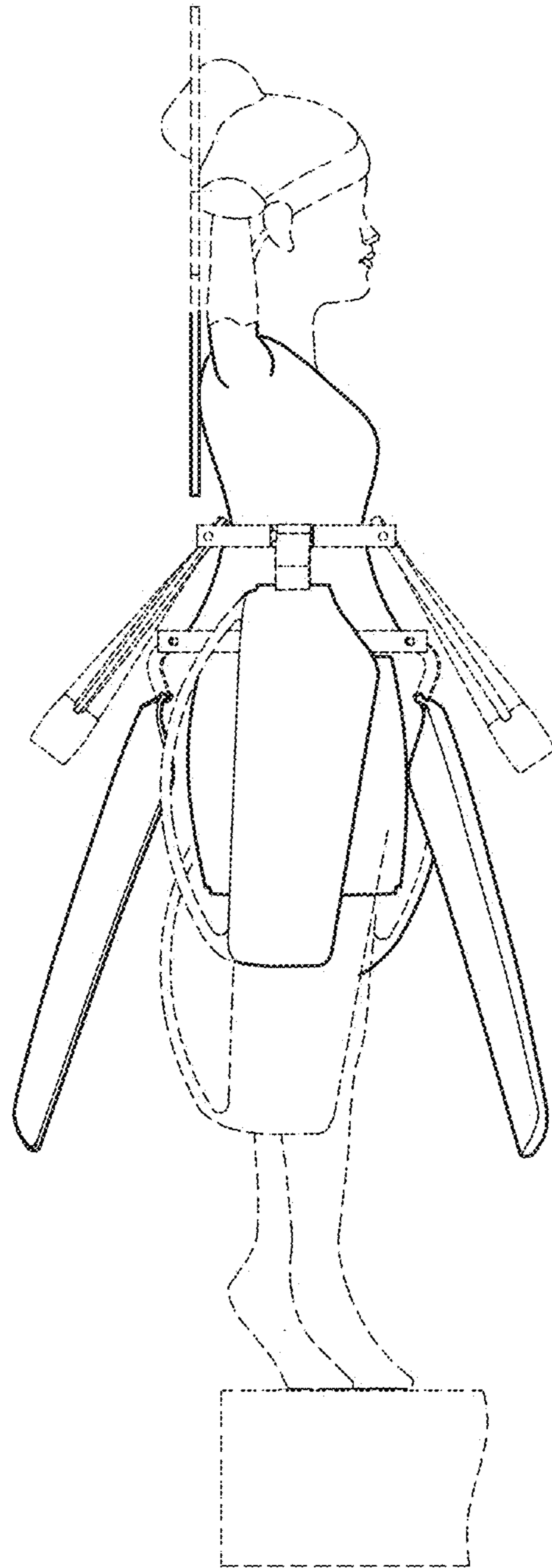


Fig-10

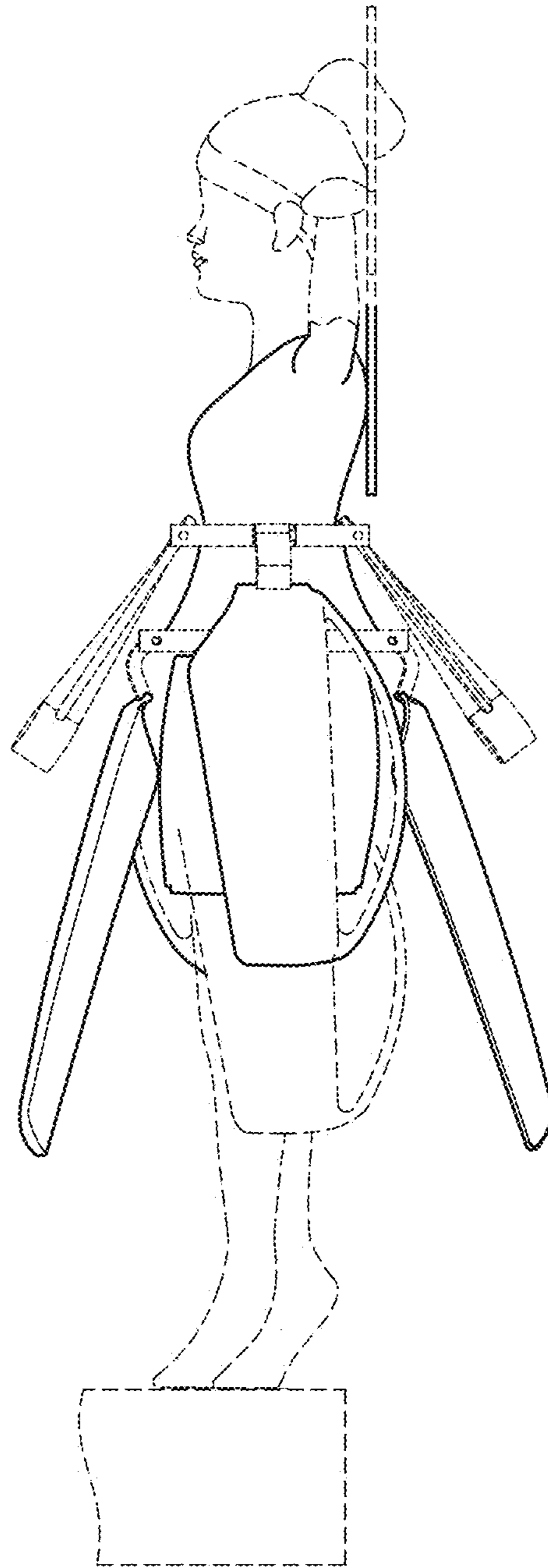


Fig-11

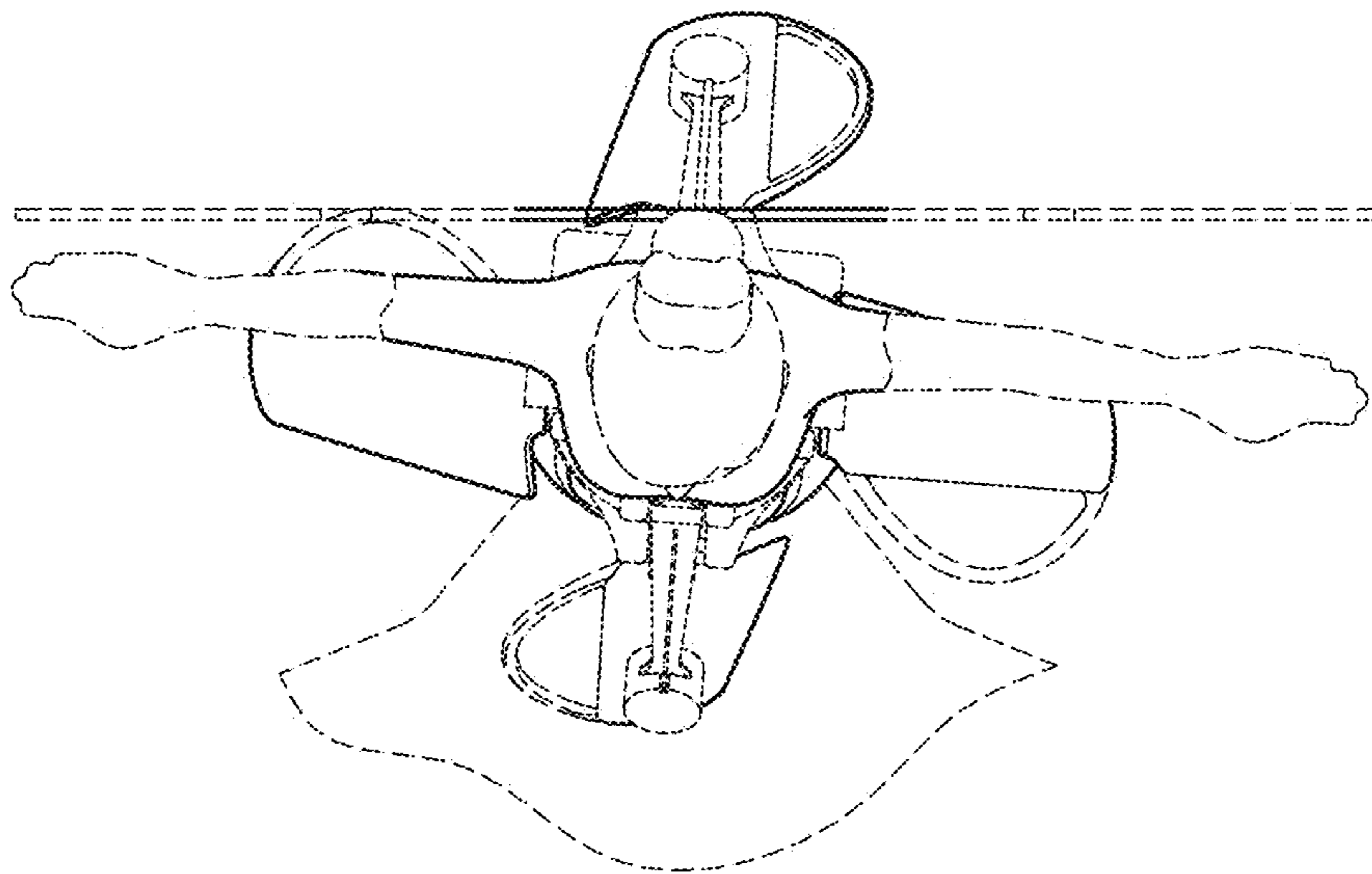


Fig-12

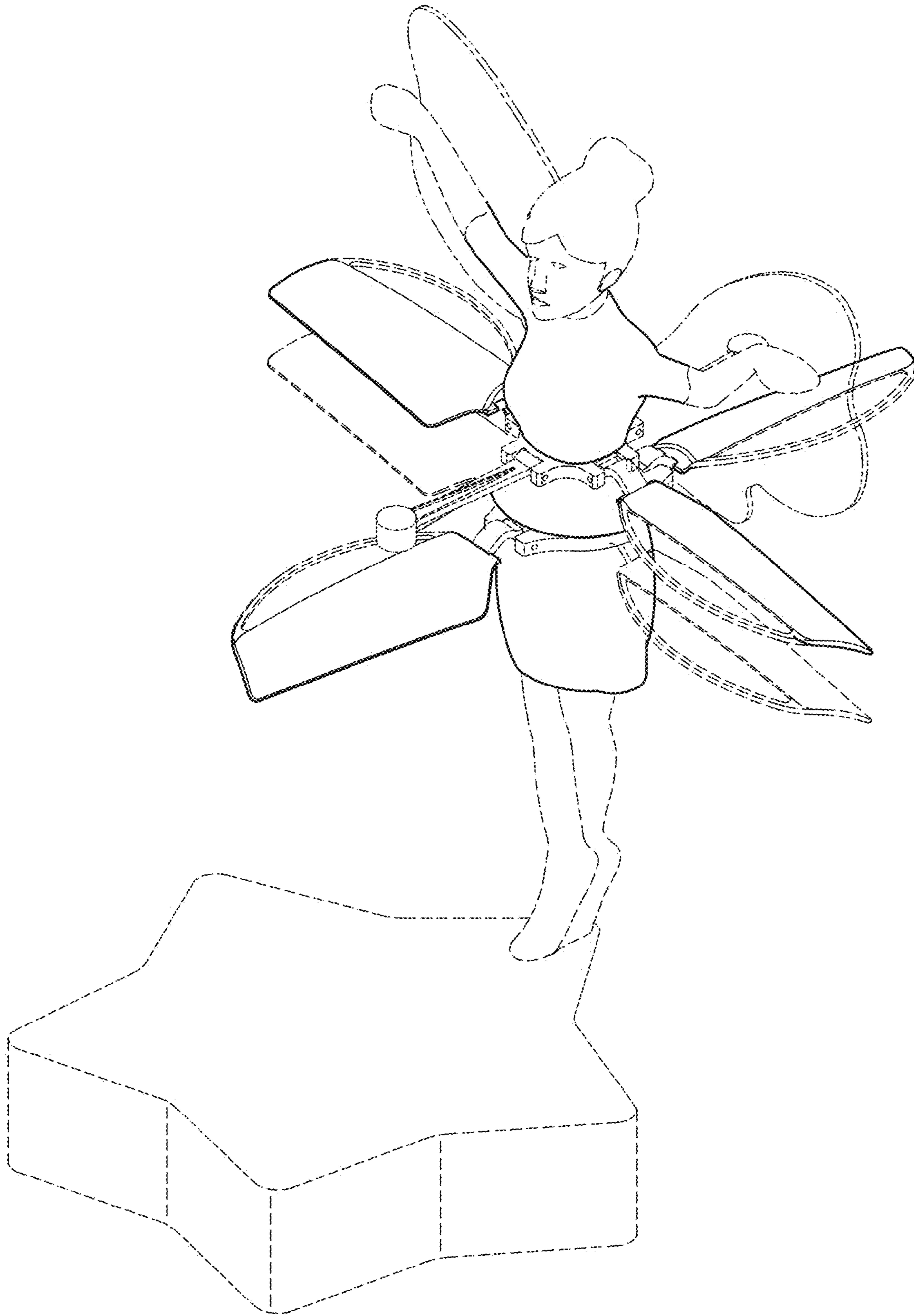


Fig-13

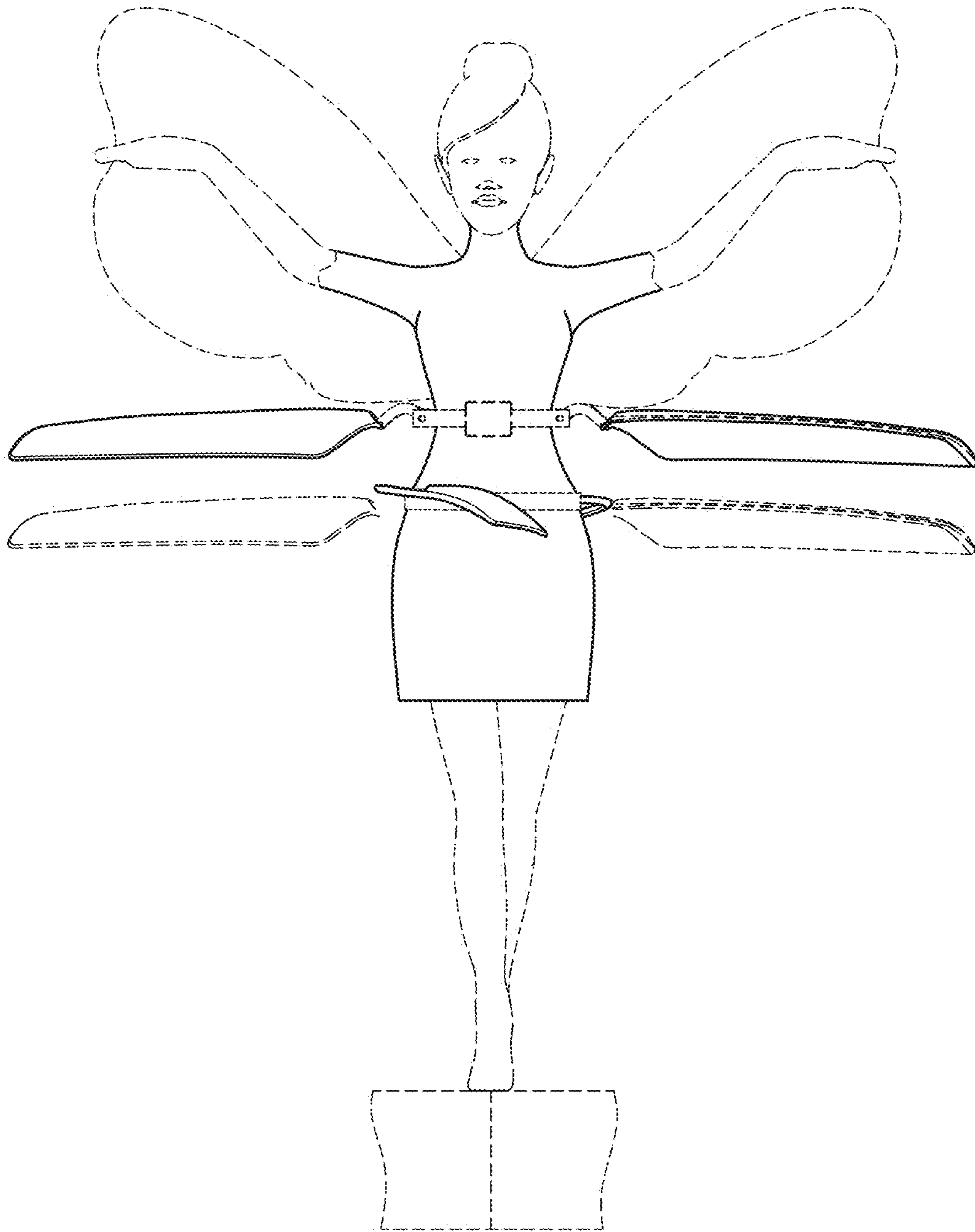


Fig-14



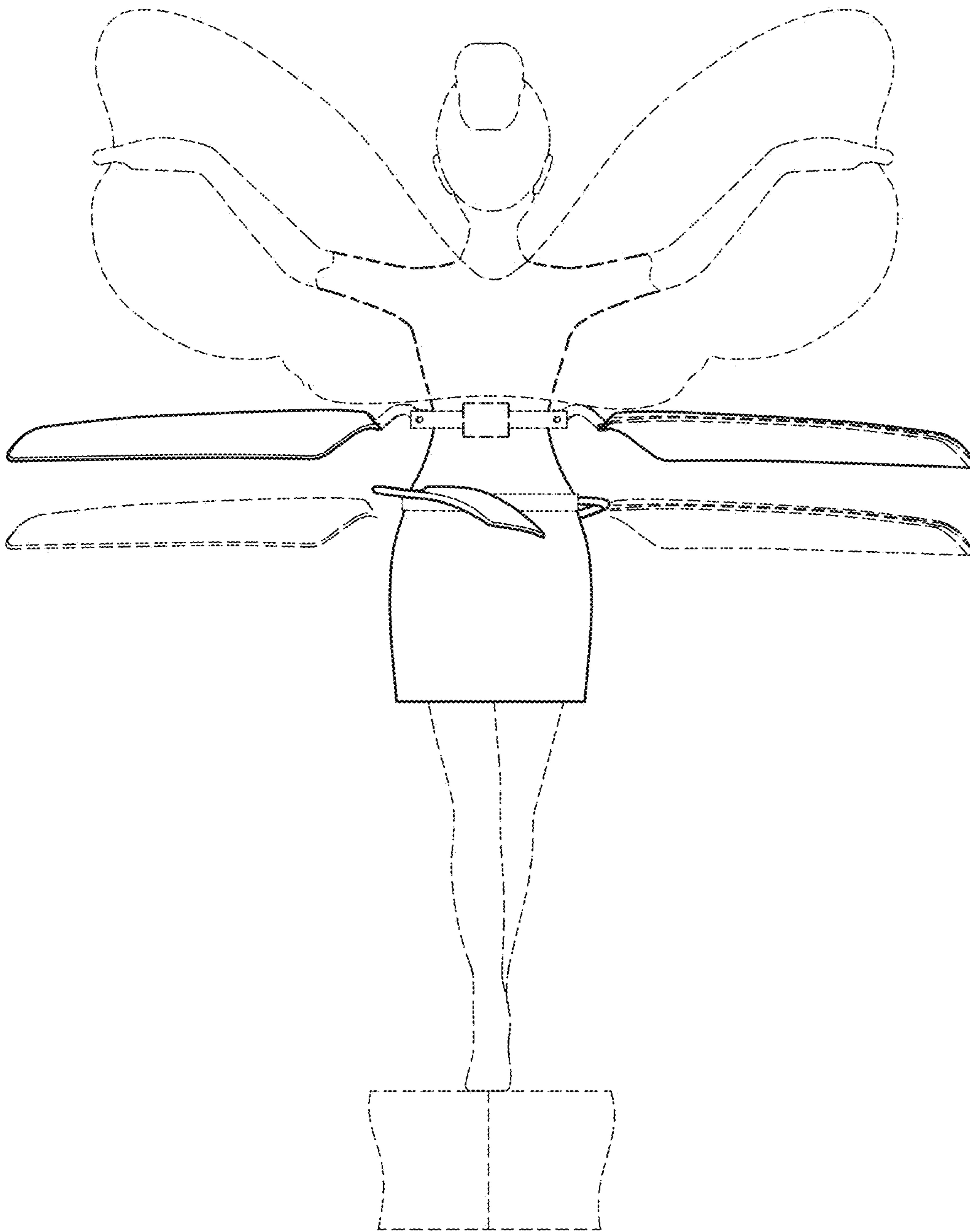


Fig-15

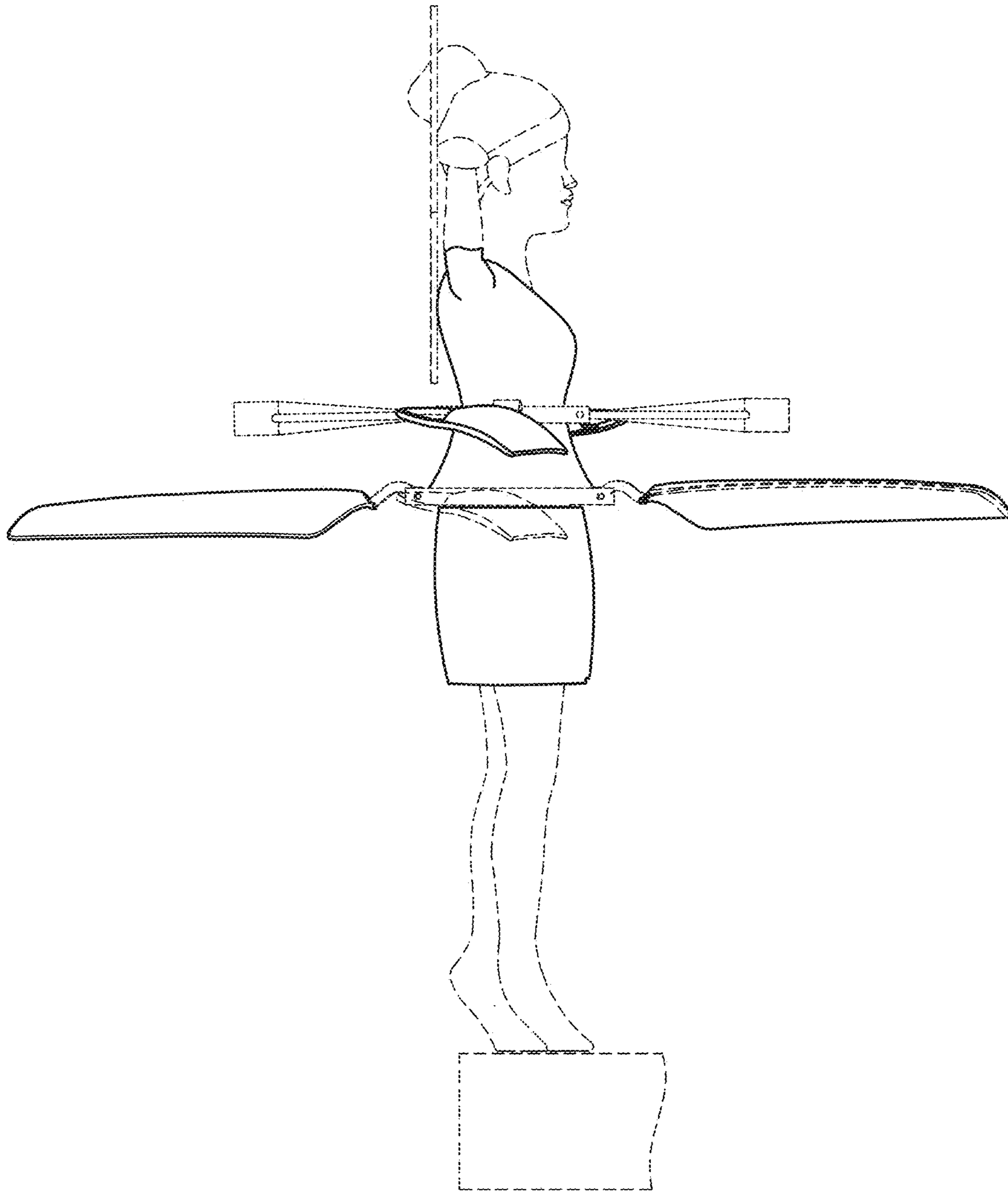


Fig-16

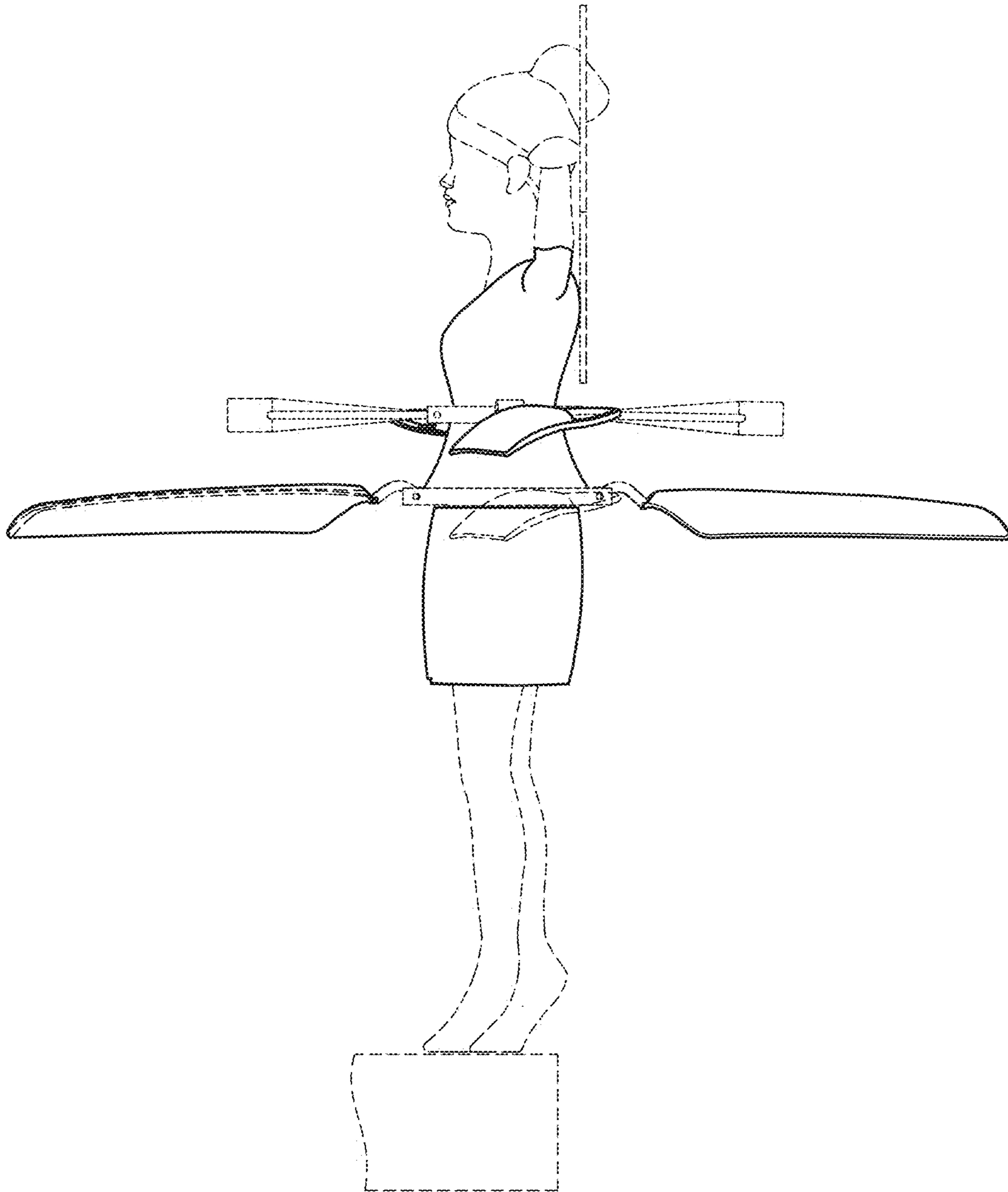


Fig-17

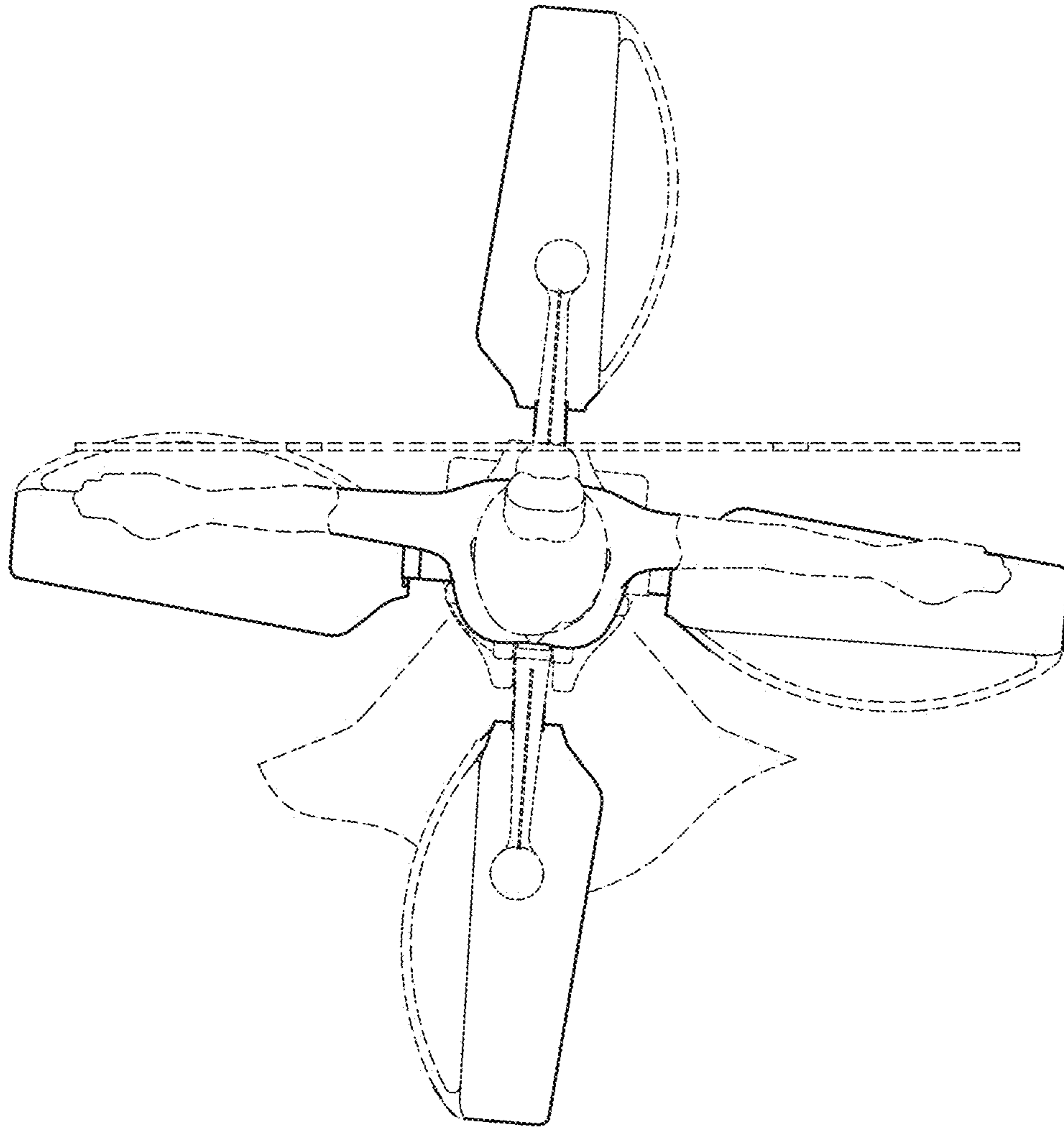


Fig-18

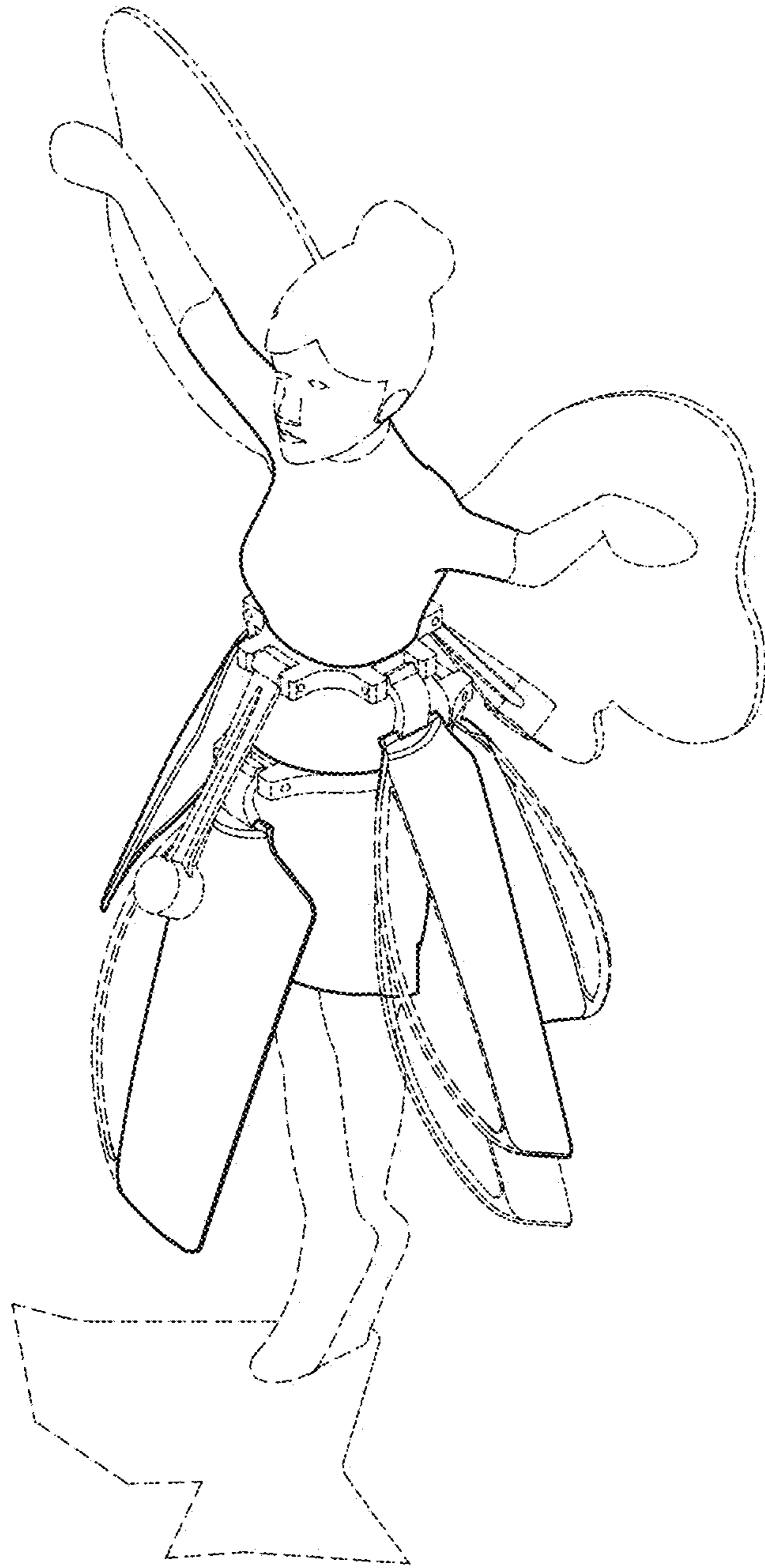


Fig-19

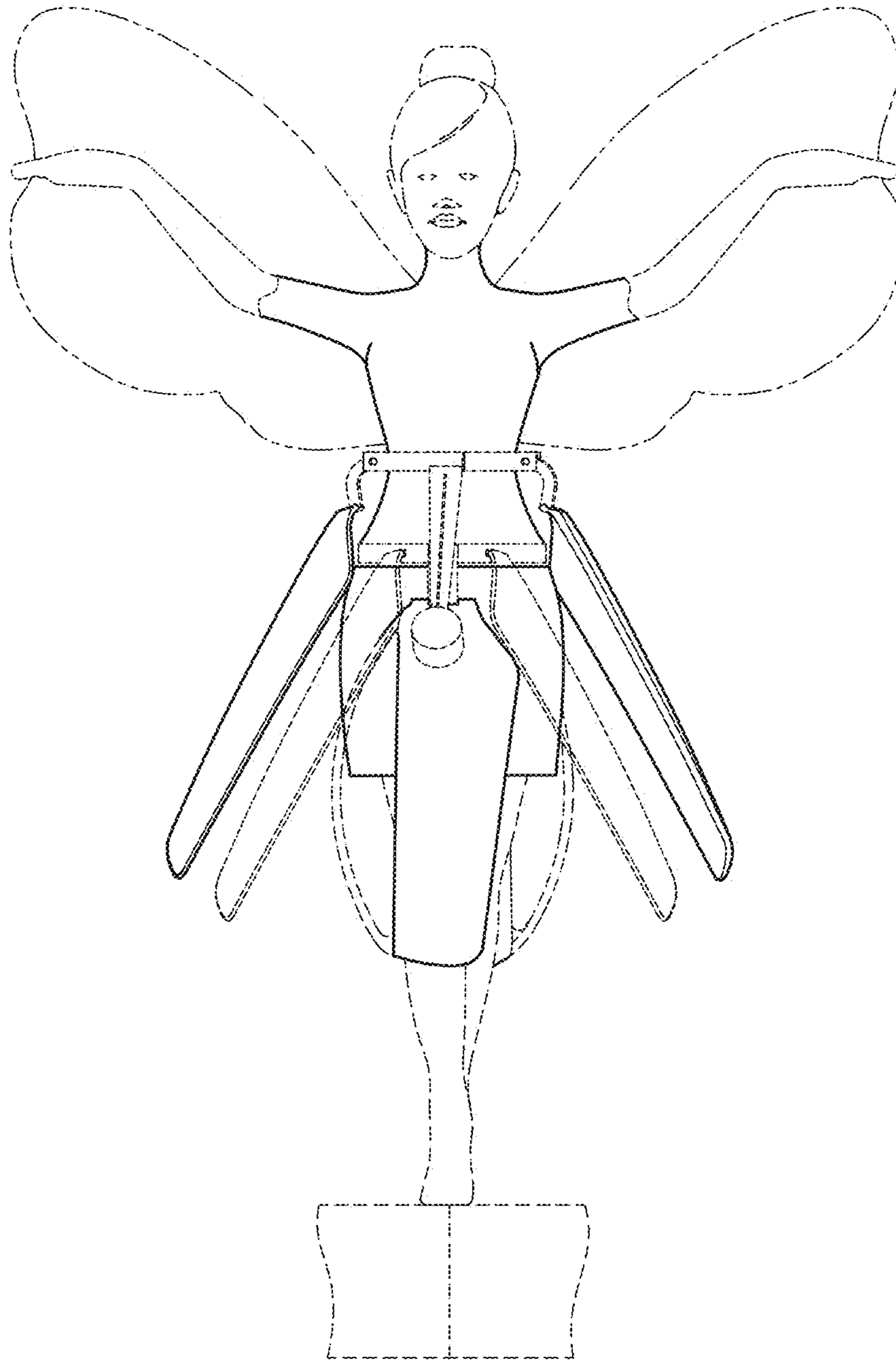


Fig-20

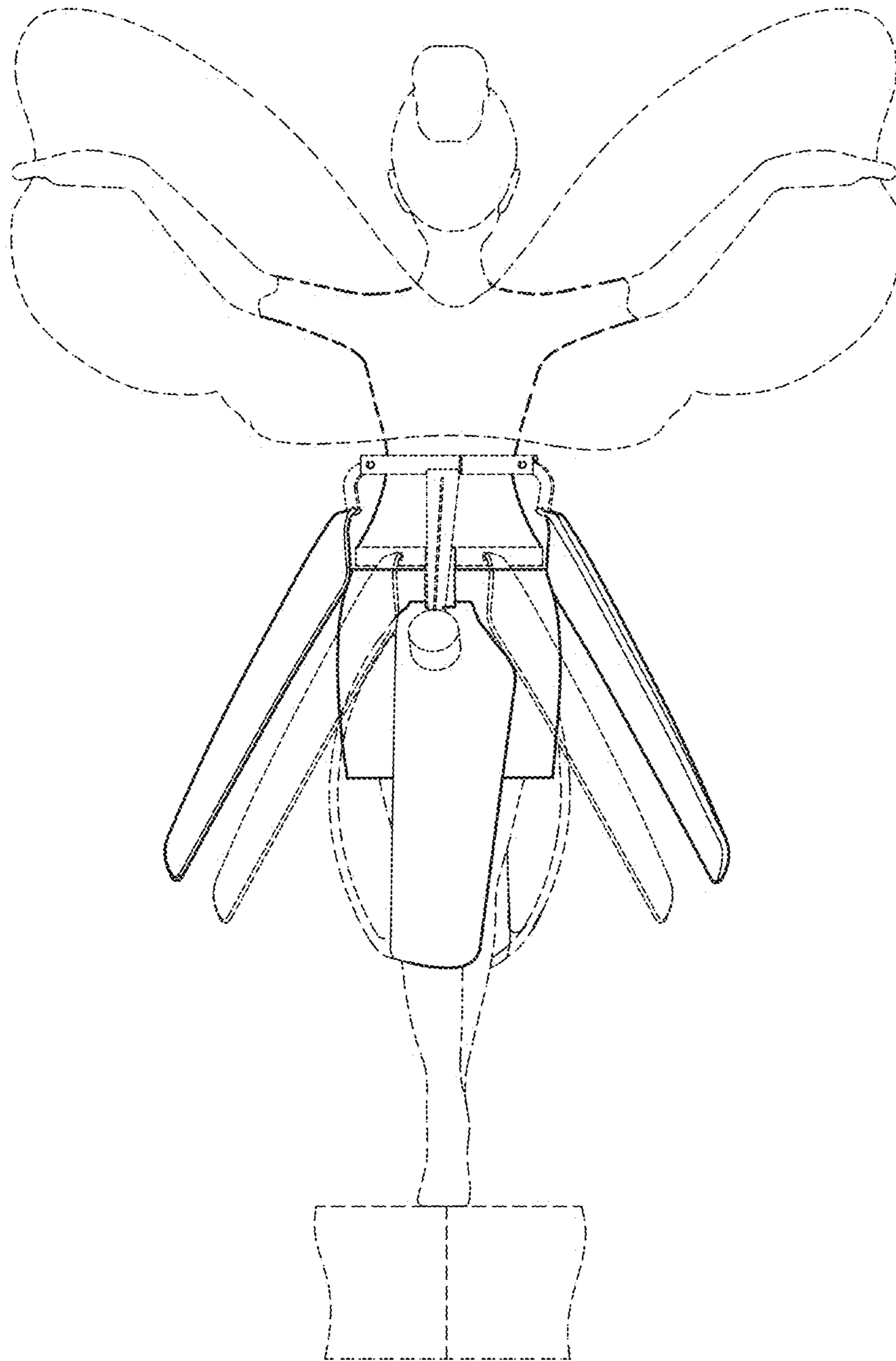


Fig-21

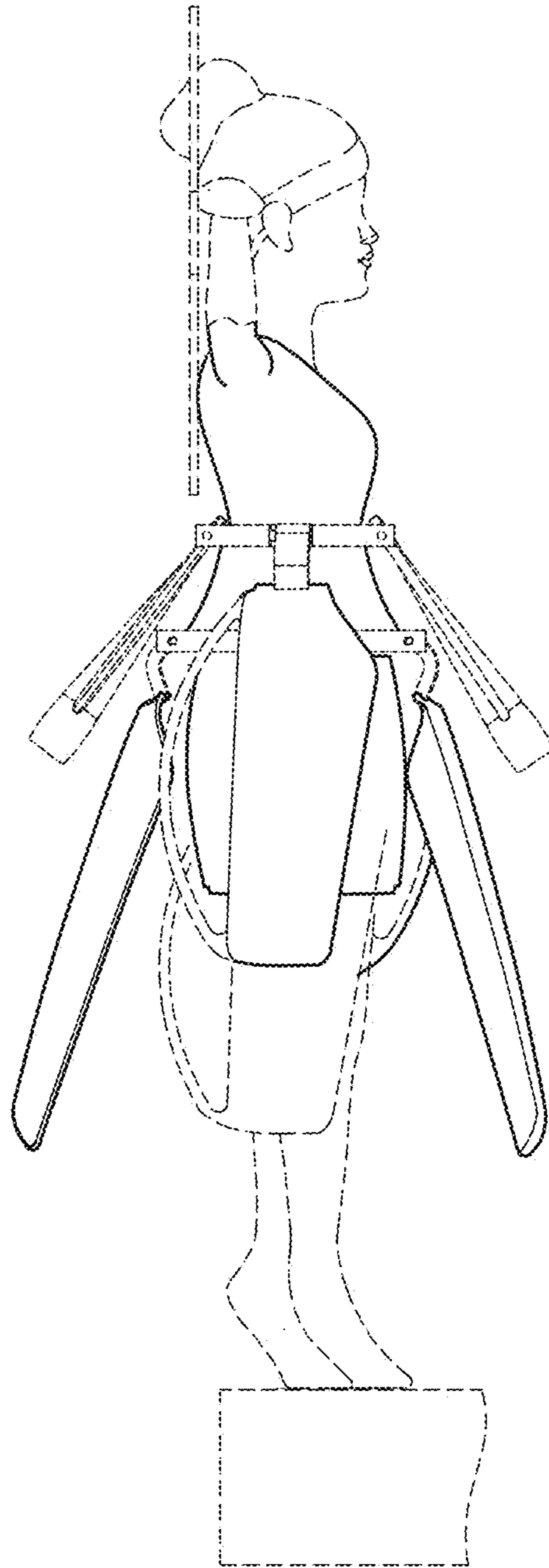


Fig-22



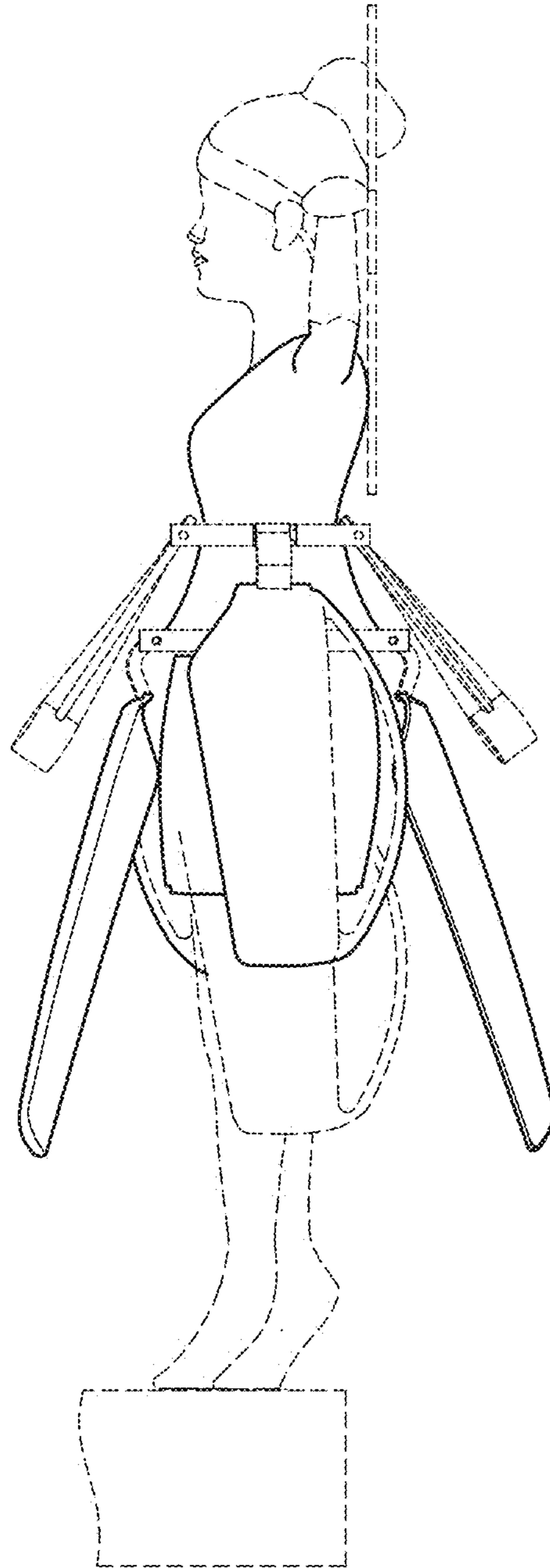


Fig-23

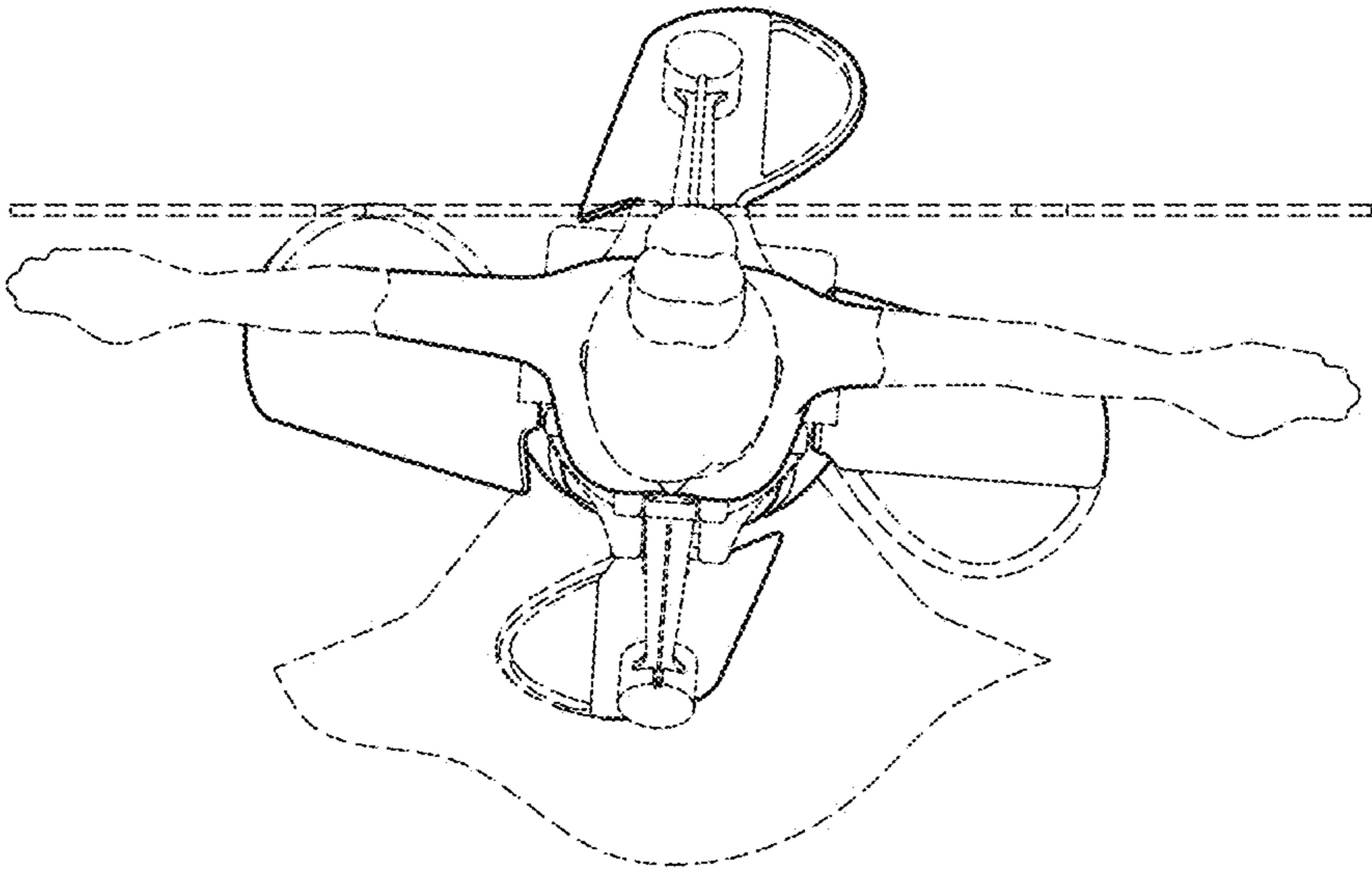


Fig-24