



US00D740373S

(12) **United States Design Patent**
Martin

(10) **Patent No.:** **US D740,373 S**
(45) **Date of Patent:** **** Oct. 6, 2015**

(54) **FLOATING TABLE**

(71) Applicant: **Christophe Martin**, San Juan, PR (US)

(72) Inventor: **Christophe Martin**, San Juan, PR (US)

(**) Term: **14 Years**

(21) Appl. No.: **29/485,649**

(22) Filed: **Mar. 20, 2014**

(51) **LOC (10) Cl.** **21-01**

(52) **U.S. Cl.**
USPC **D21/397**

(58) **Field of Classification Search**
USPC D21/397; D6/406.3
CPC A63F 2250/205
See application file for complete search history.

(56) **References Cited**

U.S. PATENT DOCUMENTS

3,858,877	A	1/1975	Lundstrom	
D259,497	S *	6/1981	Mahler	D21/338
6,139,382	A	10/2000	Eschbacher et al.	
6,171,160	B1	1/2001	Skaggs et al.	
6,976,434	B2	12/2005	Roig et al.	
7,344,138	B2	3/2008	Romney	
7,371,141	B1	5/2008	Lin	
D665,594	S *	8/2012	Goldszer	D6/406.3
2008/0265510	A1 *	10/2008	Howland	273/309

FOREIGN PATENT DOCUMENTS

CN	2007020103916	3/2007
ZA	0508515 A	10/2005

OTHER PUBLICATIONS

Floating Poker Table for Swimming Pools, <http://rotoworldmag.com/custom-plastics-rotomolder-introduces-floating-poker-table-for-swimming-pools/>.

* cited by examiner

Primary Examiner — George D Kirschbaum

(74) *Attorney, Agent, or Firm* — QuickPatents; Kevin Prince

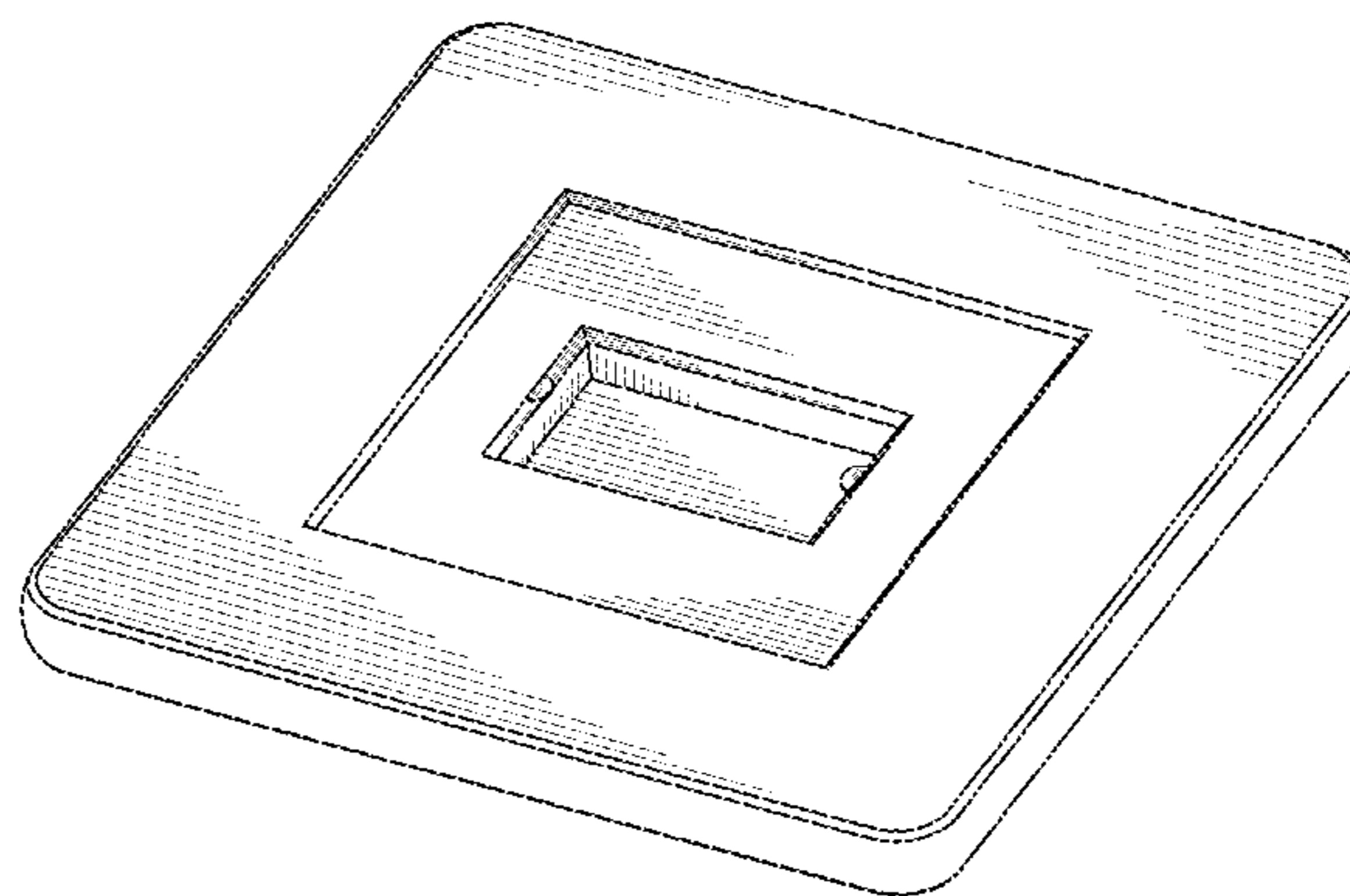
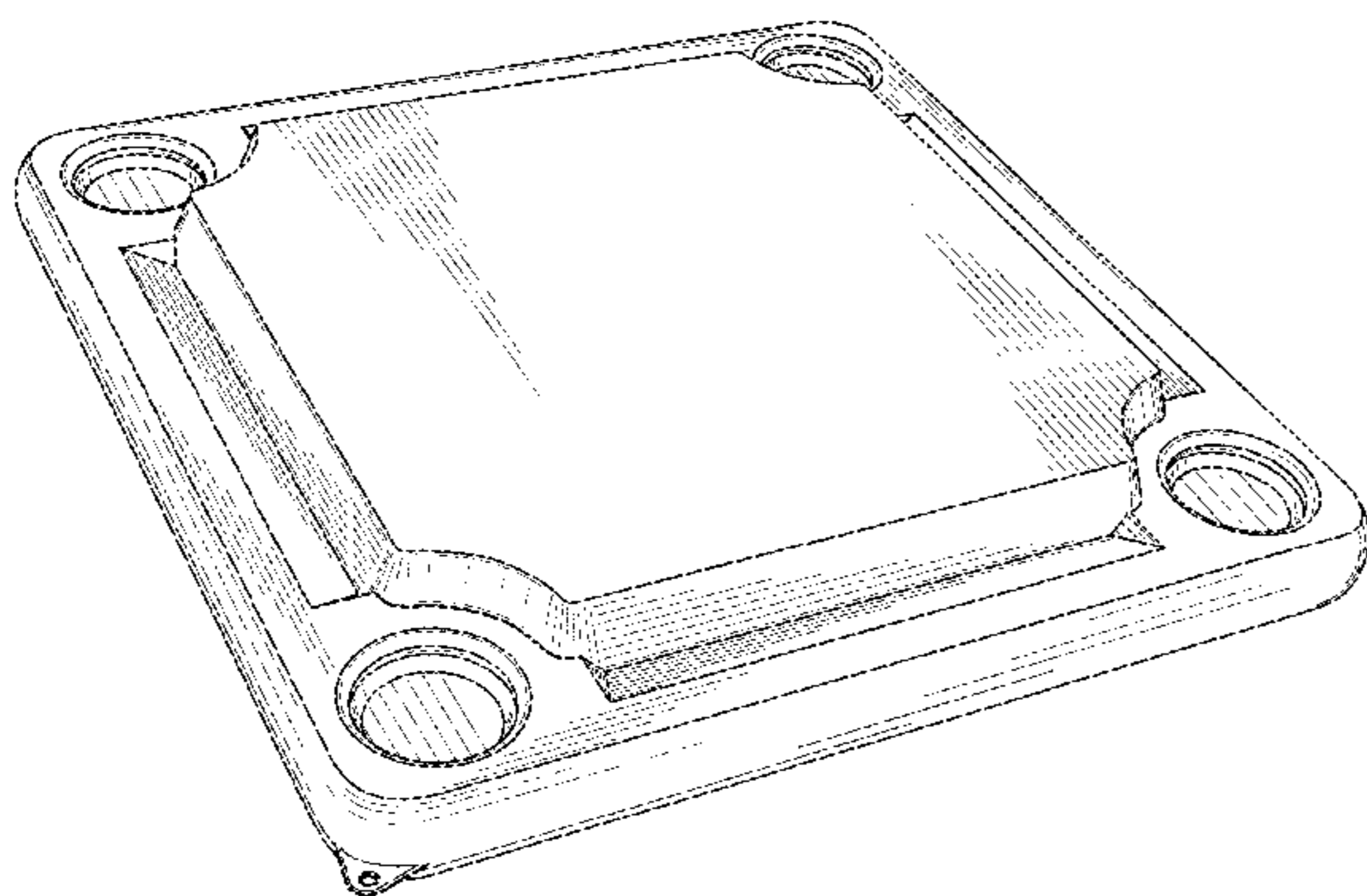
(57) **CLAIM**

I claim the ornamental design for a floating table, as shown and described.

DESCRIPTION

FIG. 1 is a top perspective view of a floating table, showing my new design;
FIG. 2 is a bottom perspective view thereof;
FIG. 3 is a front elevational view thereof, the left-side elevational view being a mirror image thereof;
FIG. 4 is a rear elevational view thereof, the right-side elevational view being a mirror image thereof;
FIG. 5 is a top plan view thereof; and,
FIG. 6 is a bottom plan view thereof.

1 Claim, 3 Drawing Sheets



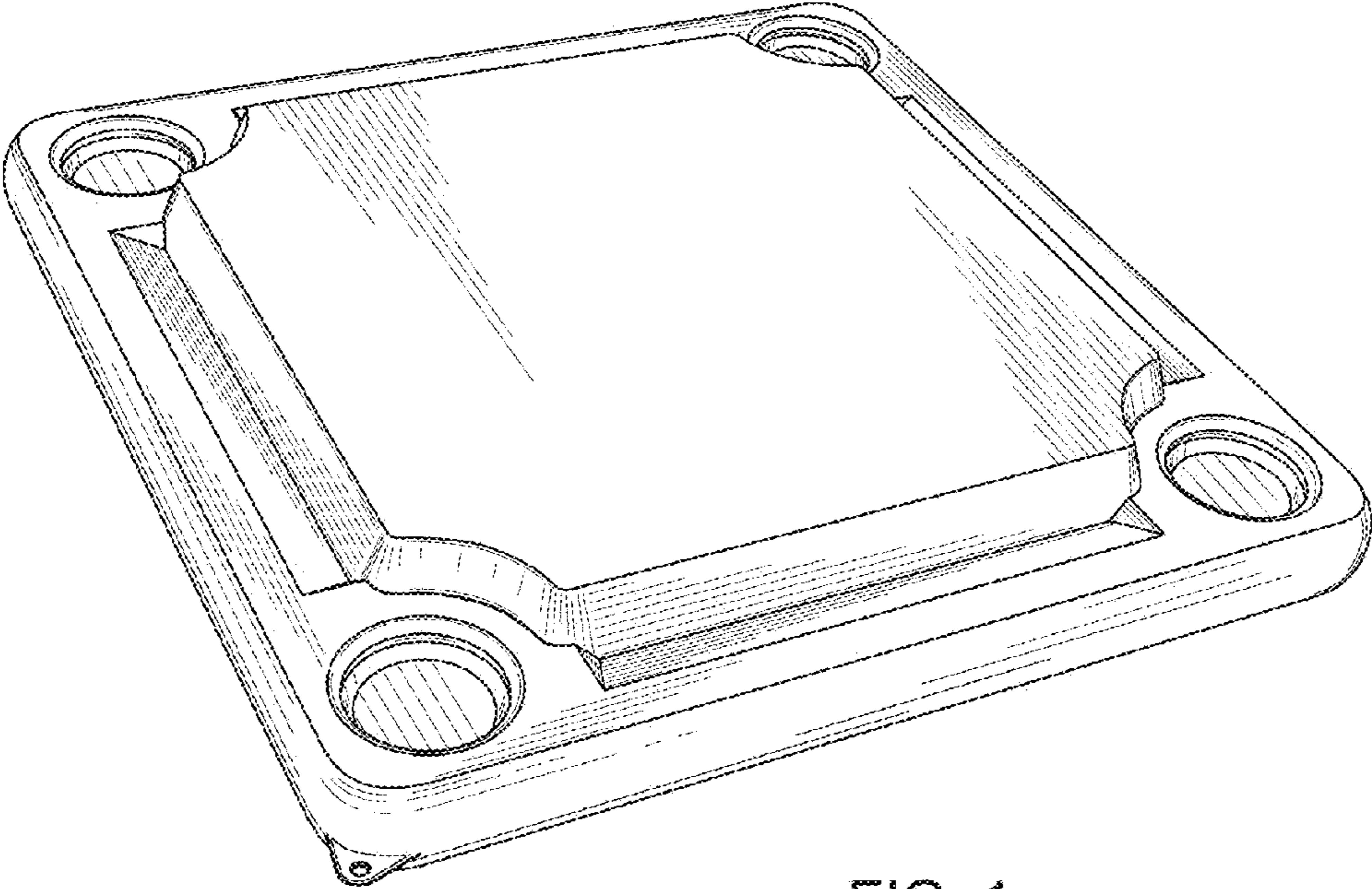


FIG. 1

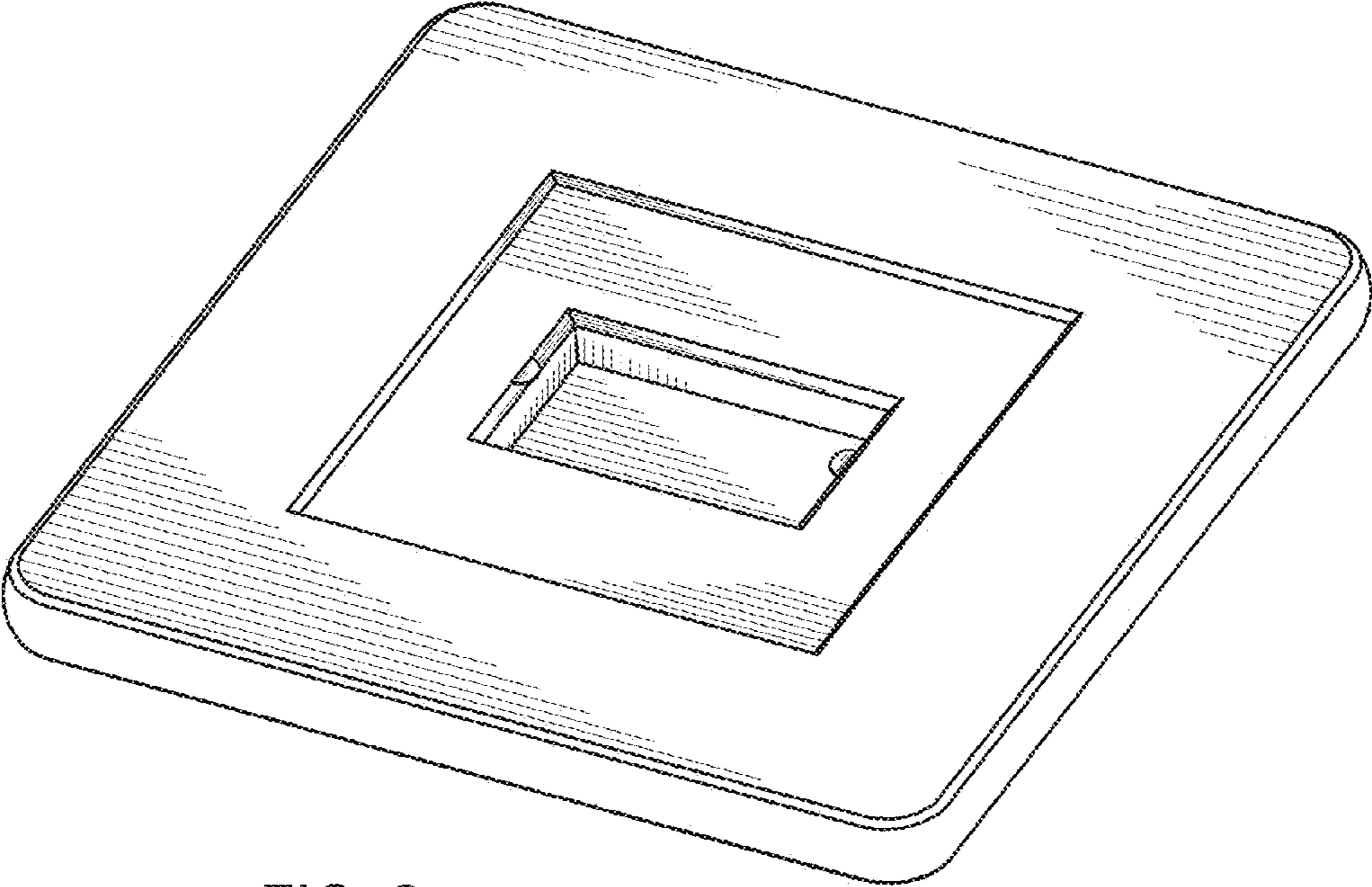


FIG. 2

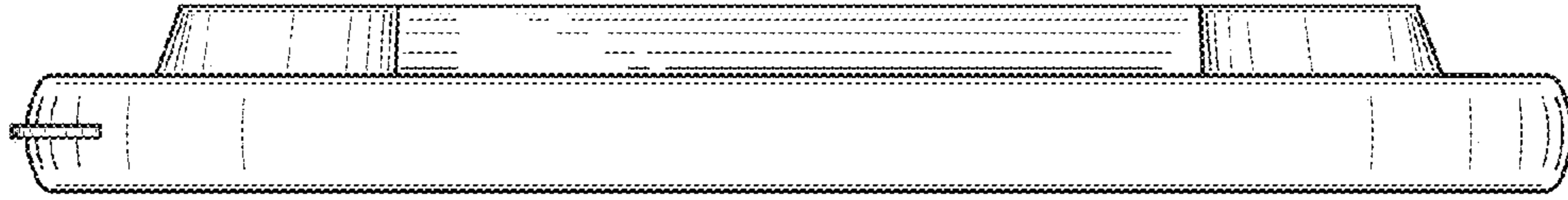


FIG. 3

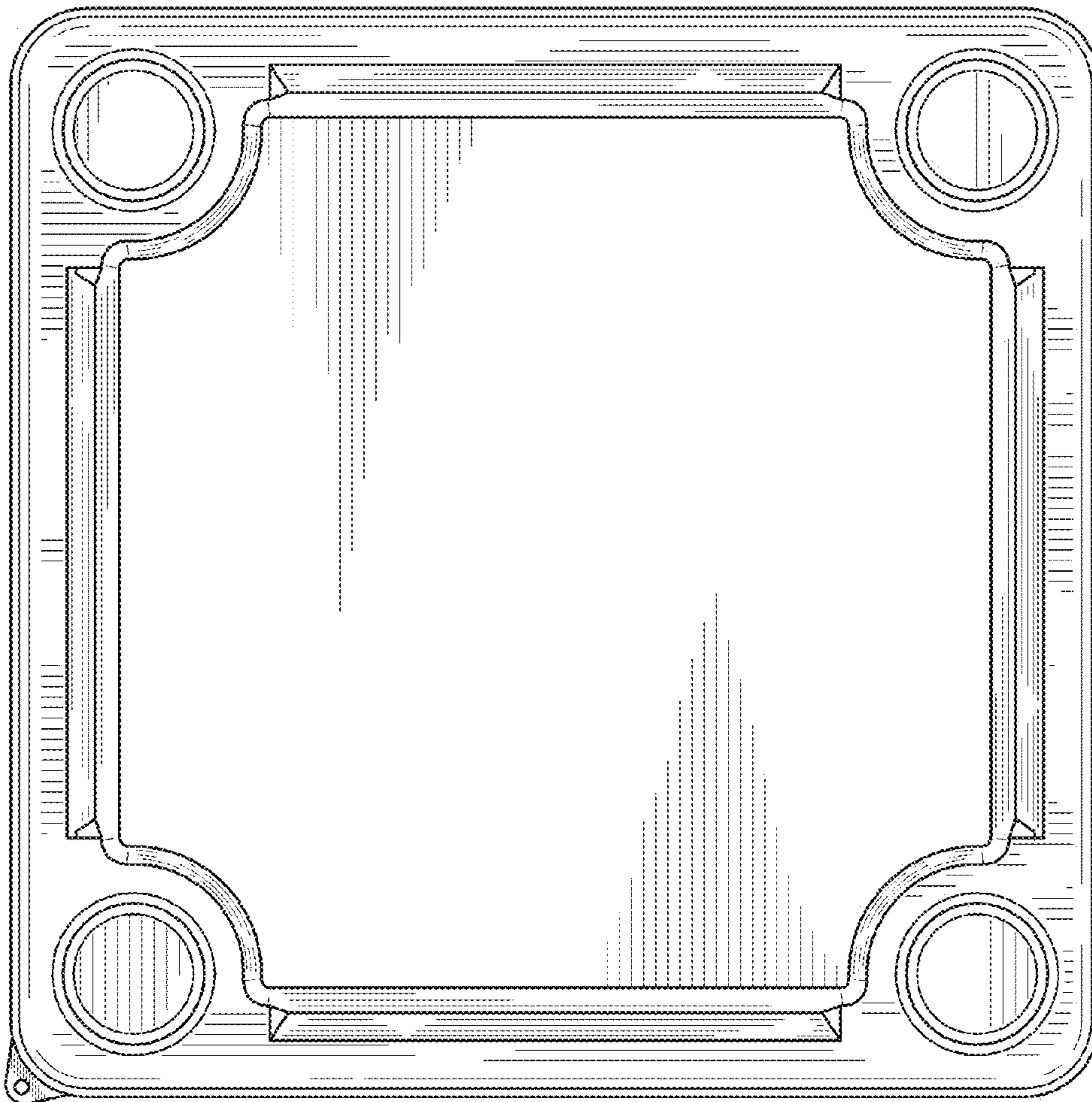


FIG. 5

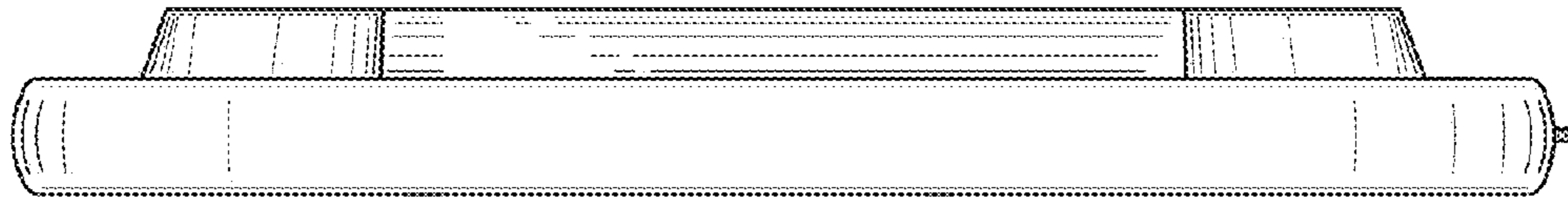


FIG. 4

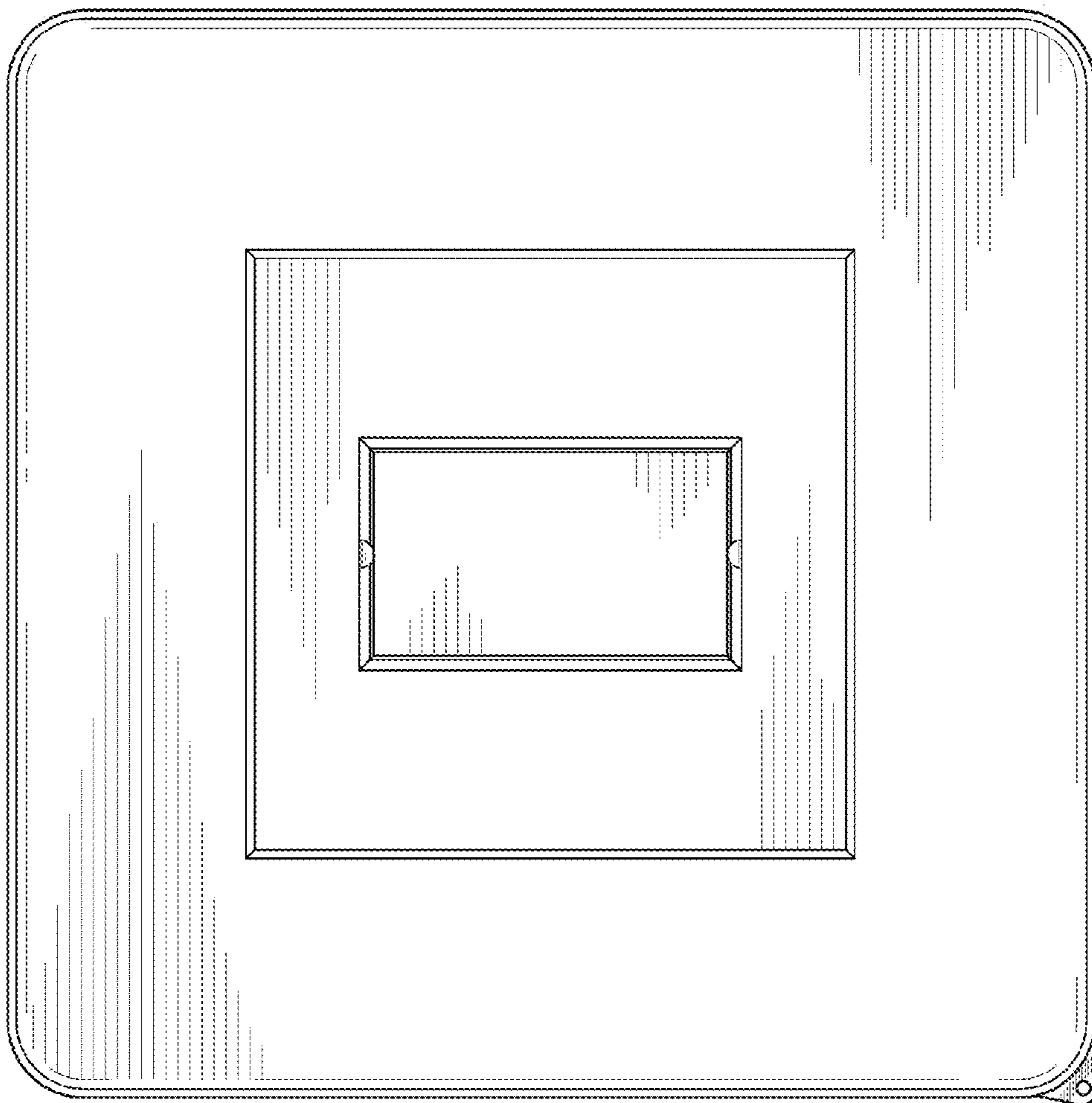


FIG. 6