



US00D740371S

(12) **United States Design Patent**  
**Ries**

(10) **Patent No.:** **US D740,371 S**

(45) **Date of Patent:** **\*\* Oct. 6, 2015**

(54) **CONTROLLER FOR CONTROLLING THE  
MOVEMENT OF A ROBOTIC ARM**

(71) Applicant: **GOMTEC GMBH**

(72) Inventor: **Michael Ries, Olching (DE)**

(73) Assignee: **GOMTEC GMBH, Seefeld (DE)**

(\*\*) Term: **14 Years**

(21) Appl. No.: **29/498,105**

(22) Filed: **Jul. 31, 2014**

(30) **Foreign Application Priority Data**

Feb. 4, 2014 (DE) ..... 40 2014 200 380

(51) **LOC (10) Cl.** ..... **21-01**

(52) **U.S. Cl.**

USPC ..... **D21/333**

(58) **Field of Classification Search**

USPC ..... D14/399-401, 412-418; 273/148 B;  
463/1, 29-39, 46, 47; 345/156-161,  
345/905; D21/333, 328

CPC ..... A63F 13/02; A63F 9/24; A63F 13/12;  
A63F 9/00; A63F 11/00; A63F 71/00; G06F  
3/02; G06F 3/033; G09G 5/00

See application file for complete search history.

(56) **References Cited**

U.S. PATENT DOCUMENTS

5,395,198	A *	3/1995	Duffy et al. ....	414/217.1
6,371,829	B1 *	4/2002	Kato et al. ....	446/456
D487,749	S *	3/2004	Stewart et al. ....	D14/454
7,594,853	B2 *	9/2009	Noro et al. ....	463/34
D646,725	S *	10/2011	Utsumi et al. ....	D21/328
D666,681	S *	9/2012	Coulter ....	D21/454
D685,032	S *	6/2013	Slayton et al. ....	D21/333
D692,956	S *	11/2013	Kitamura ....	D21/324
D714,872	S *	10/2014	Chung et al. ....	D21/333
D728,030	S *	4/2015	Burgess et al. ....	D21/333
D729,803	S *	5/2015	Avery ....	D14/401

\* cited by examiner

*Primary Examiner* — Prabhakar Deshmukh

(74) *Attorney, Agent, or Firm* — Michael J. Striker

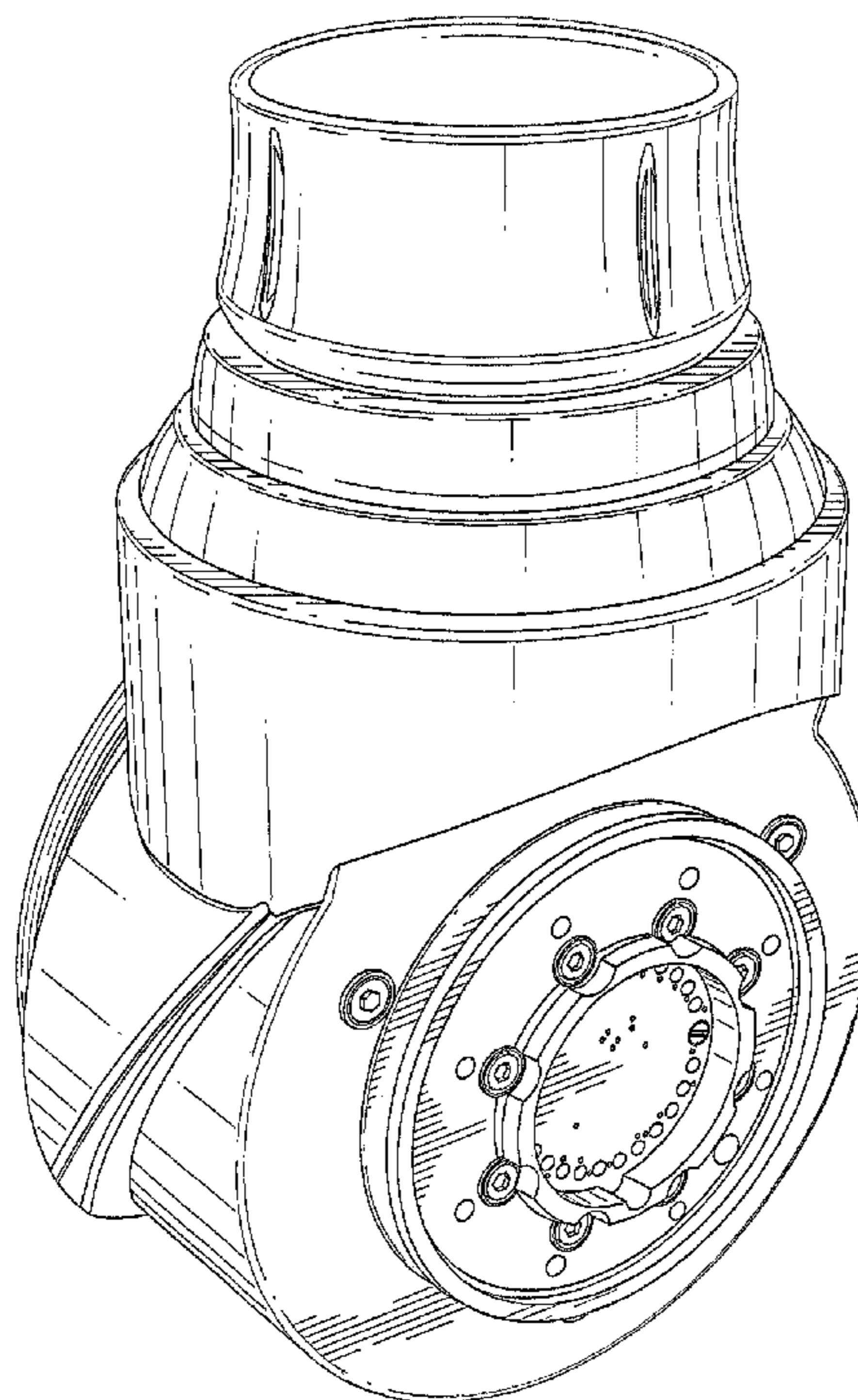
(57) **CLAIM**

The ornamental design for a controller for controlling the movement of a robotic arm, as shown and described.

**DESCRIPTION**

FIG. 1 is a perspective view of a controller for controlling movement of a robotic arm showing my new design; FIG. 2 is a front elevation view thereof; FIG. 3 is a rear elevation view thereof; FIG. 4 is a left side elevation view thereof; FIG. 5 is a right side elevation view thereof; FIG. 6 is a top plan view thereof; and, FIG. 7 is a bottom plan view thereof. The broken lines indicate unclaimed portions and form no part of the claimed design.

**1 Claim, 7 Drawing Sheets**



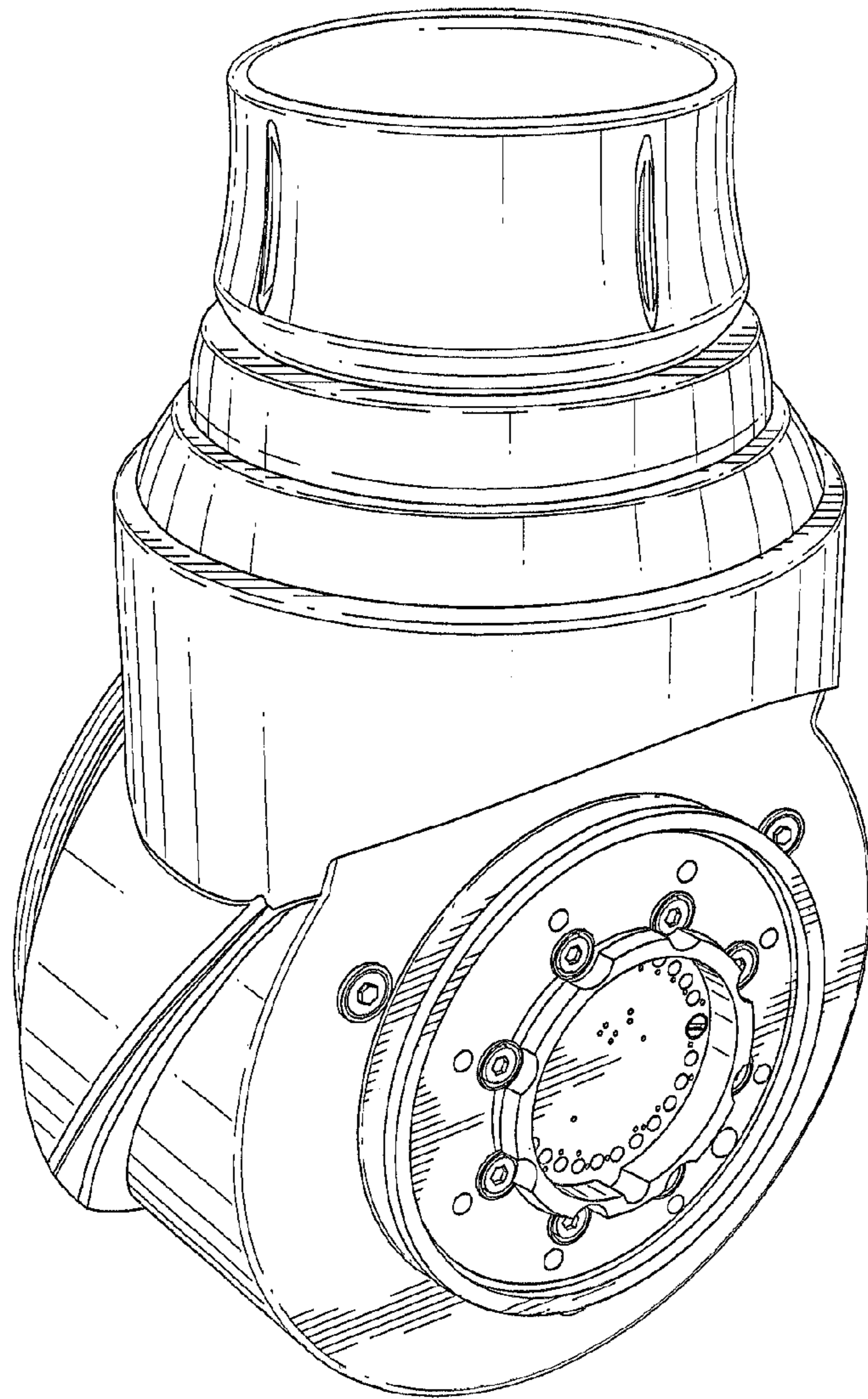


FIG. 1

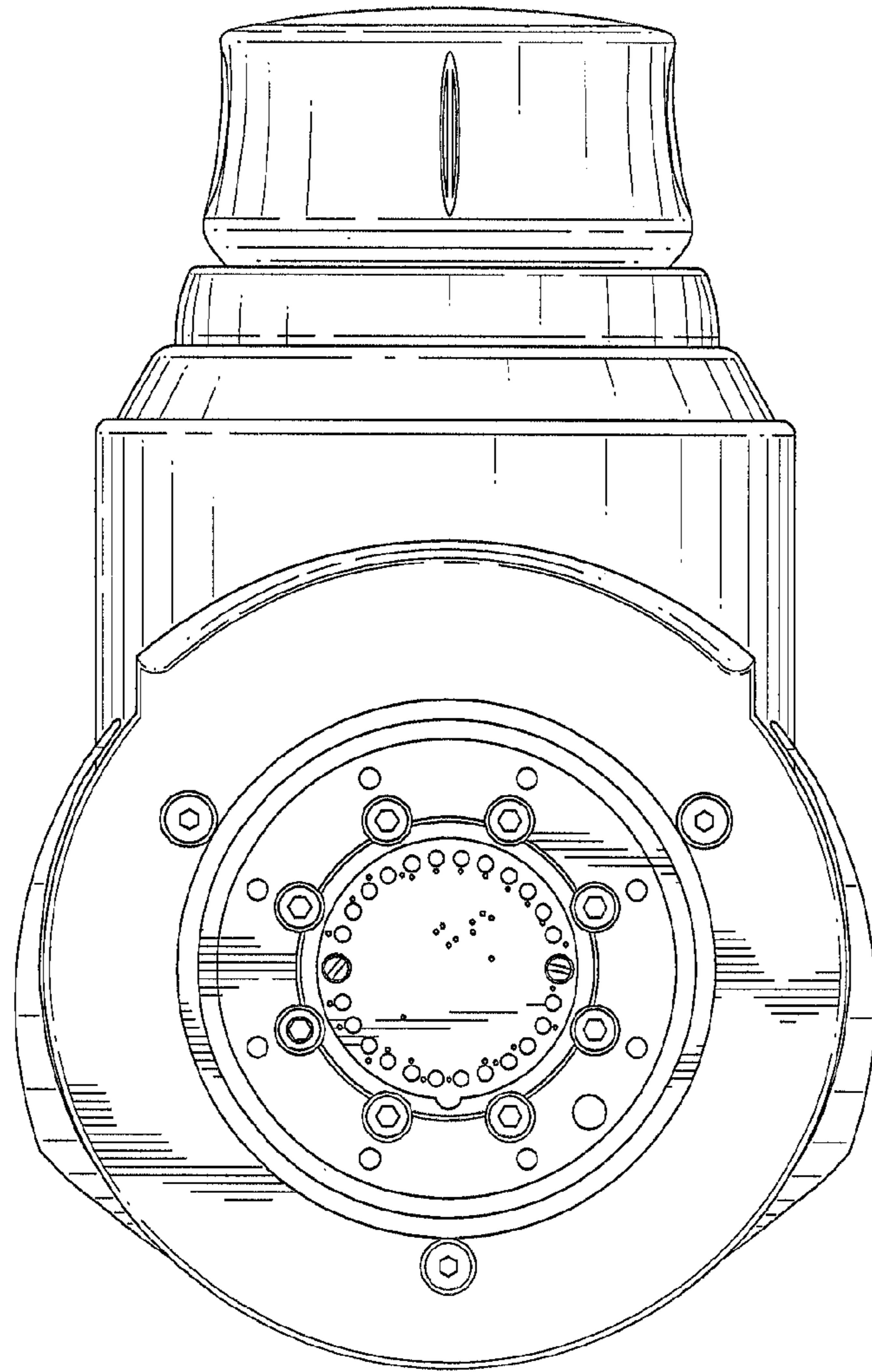


FIG. 2

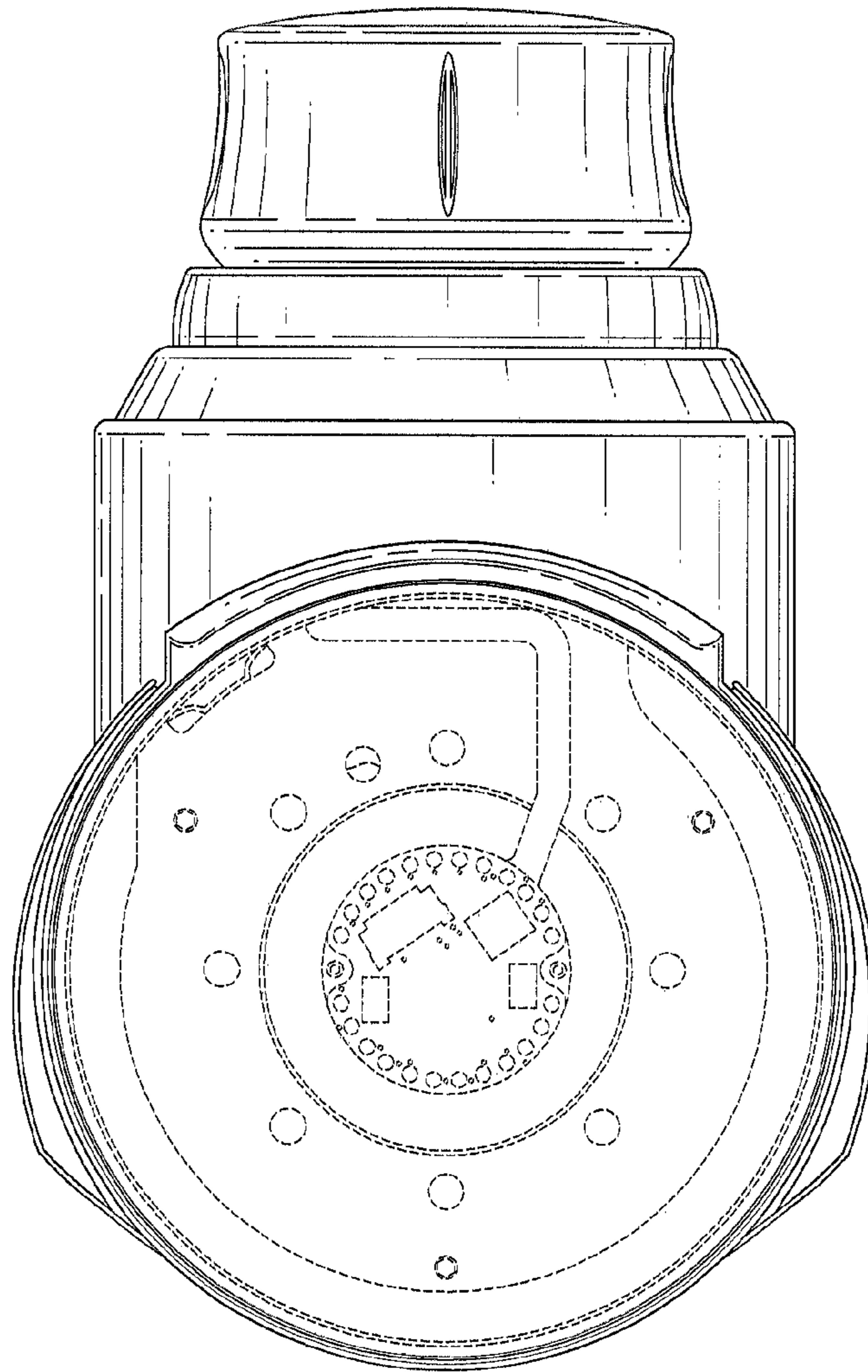


FIG.3

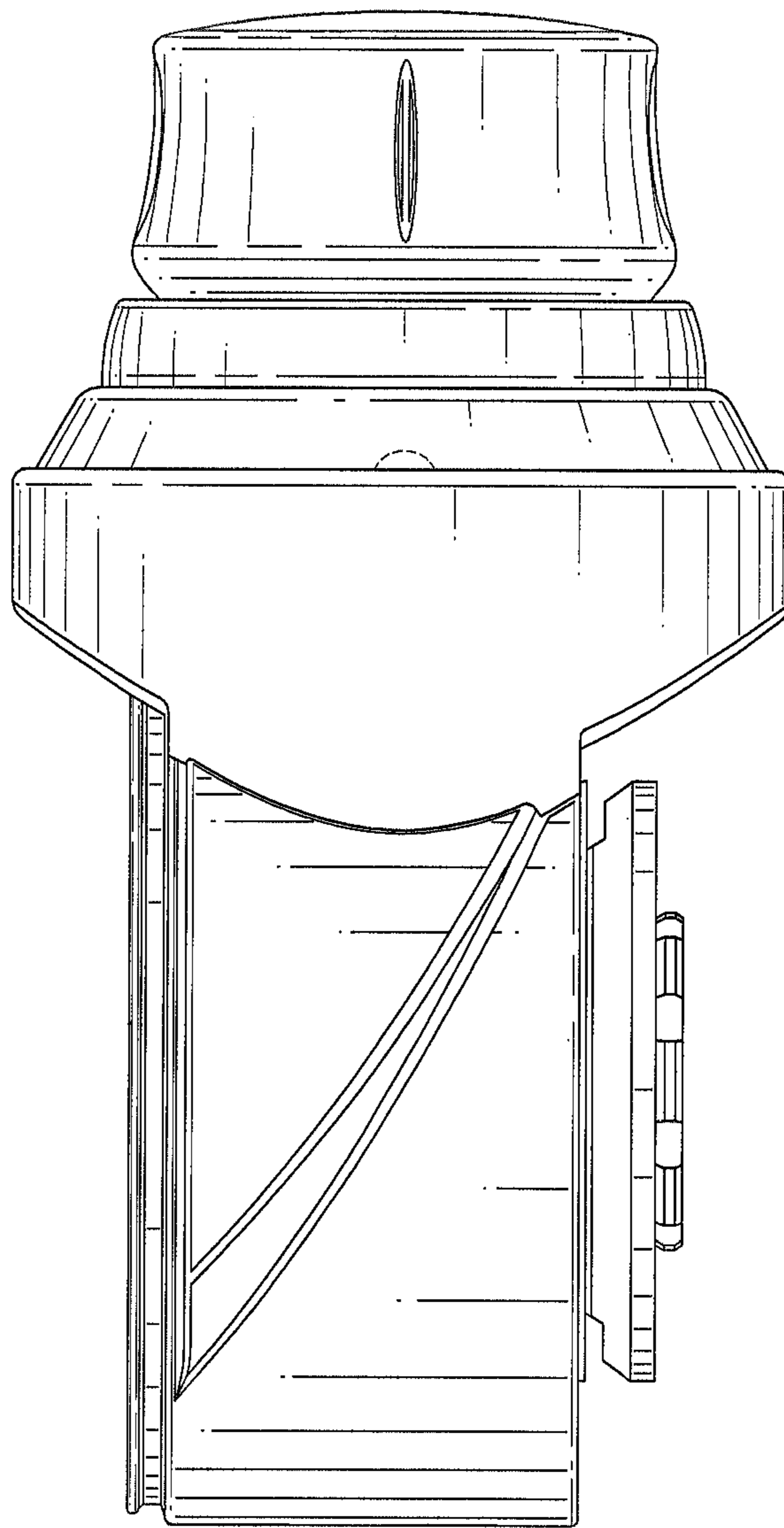


FIG.4

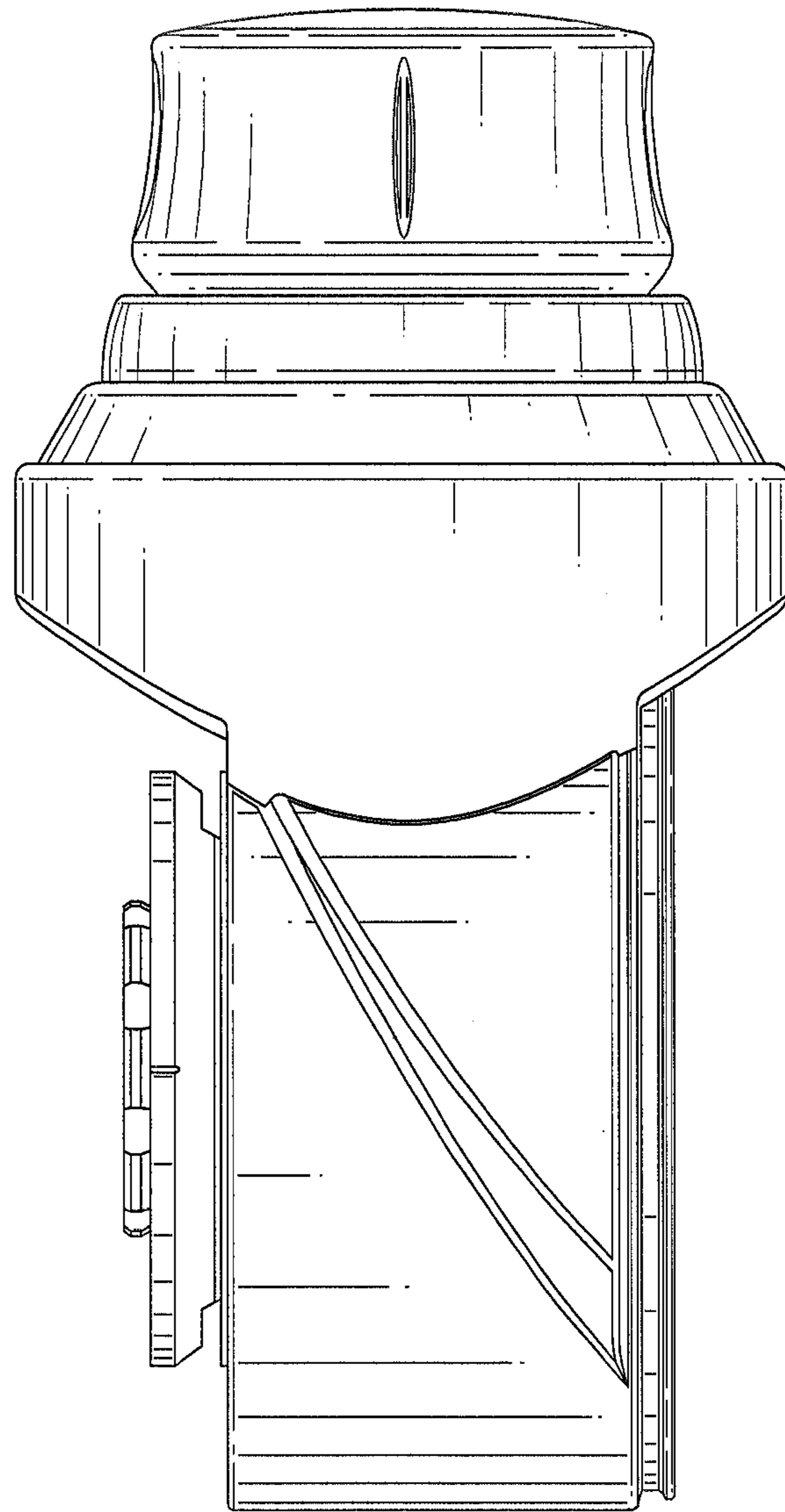


FIG. 5

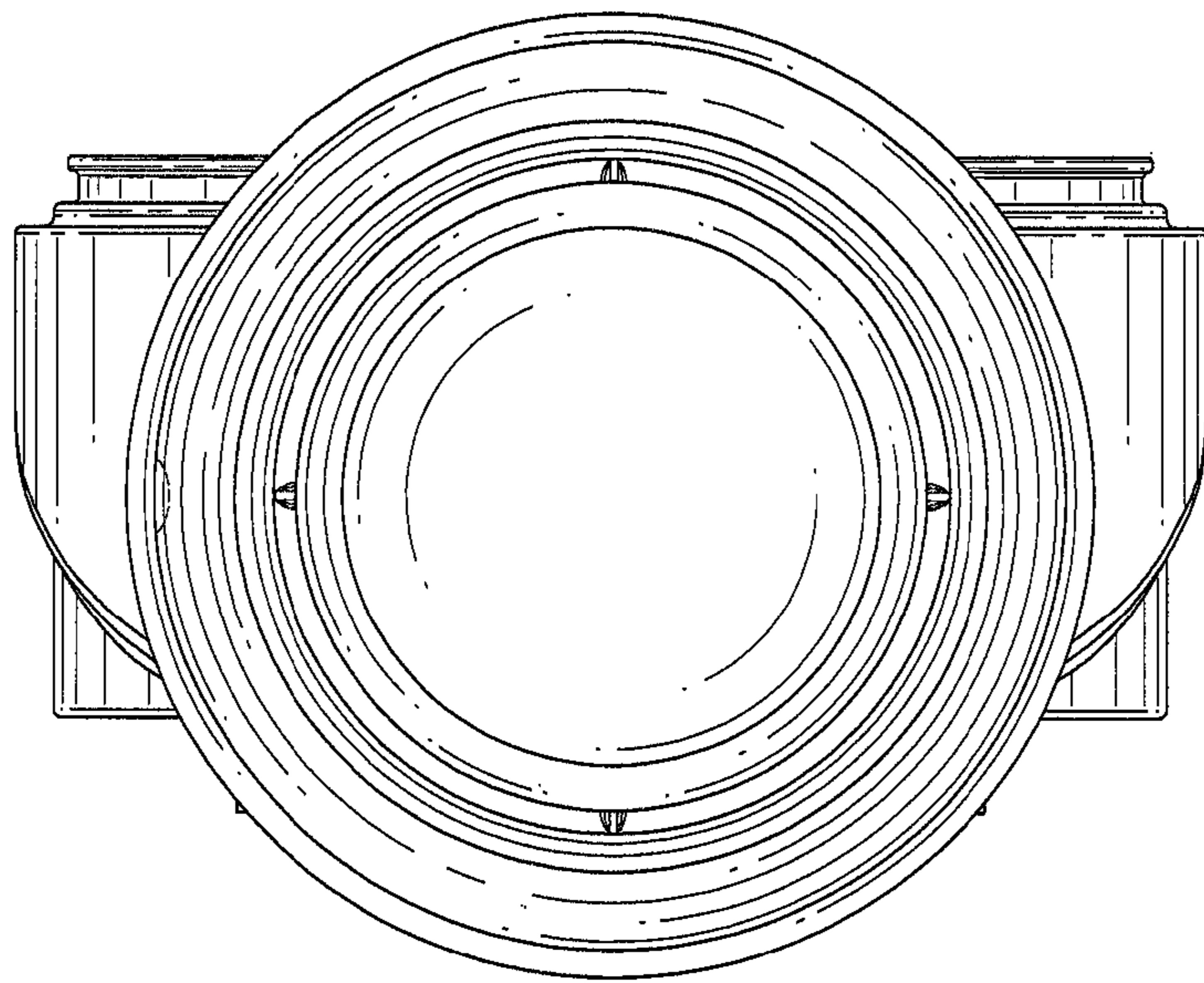


FIG.6

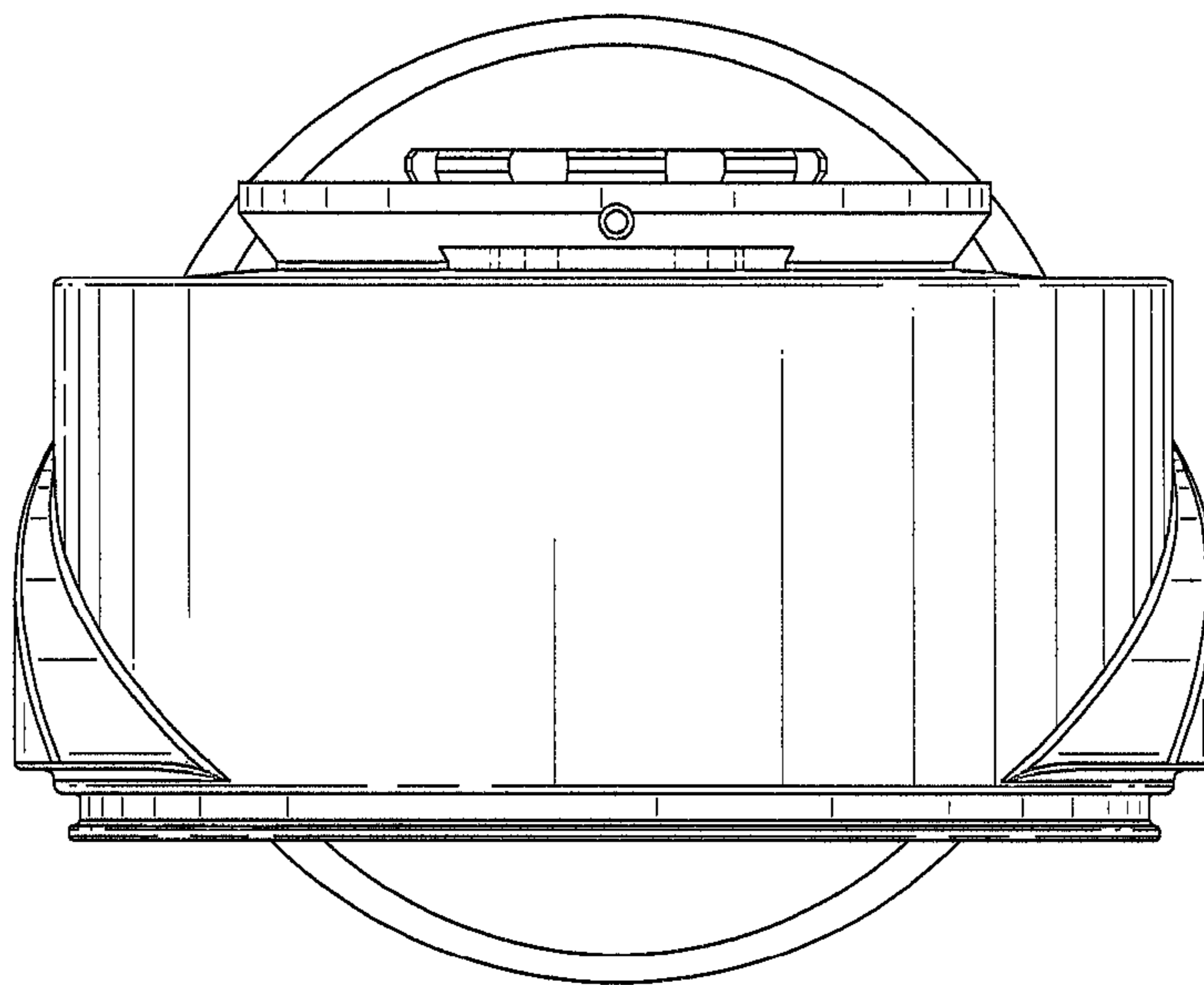


FIG. 7