



US00D740370S

(12) **United States Design Patent**
Jackson et al.

(10) **Patent No.:** **US D740,370 S**
(45) **Date of Patent:** **** Oct. 6, 2015**

(54) **VIDEO GAME MAGNIFYING LENS**
(71) Applicant: **JRS Innovations, LLC**, Montgomery,
AL (US)
(72) Inventors: **David Nelson Jackson**, Gainesville, GA
(US); **Kenneth Earl Myers**, Marietta,
GA (US); **Joshua Ryan Swenn**, Sandy
Springs, GA (US); **Blake Dana**
Pomeroy, New Market, MD (US)

4,443,819 A 4/1984 Funada et al.
4,529,268 A 7/1985 Brown
4,709,657 A 12/1987 Gothard
4,712,870 A 12/1987 Robinson et al.
4,958,907 A 9/1990 Davis
4,991,935 A * 2/1991 Sakurai 359/804
5,119,239 A 6/1992 Iaquinto et al.

(Continued)

FOREIGN PATENT DOCUMENTS

CN 203405626 U 1/2014
DE 102004020126 A1 11/2005

(Continued)

OTHER PUBLICATIONS

Everett Steele, Internet disclosure, Aug. 10, 2012.

Primary Examiner — Prabhakar Deshmukh

(74) *Attorney, Agent, or Firm* — Michael J. Mehrman;
Mehrman Law Office

(73) Assignee: **JRS INNOVATIONS, LLC**

(**) Term: **14 Years**

(21) Appl. No.: **29/494,870**

(22) Filed: **Jun. 25, 2014**

(51) **LOC (10) Cl.** **21-01**

(52) **U.S. Cl.**
USPC **D21/333**

(58) **Field of Classification Search**
USPC D21/330, 324, 328, 332, 333; 463/1,
463/36, 46, 47, 6, 31, 33, 34, 37; 356/4.01;
348/222.1, 335, 46, 79.832, 838;
362/85, 109, 257; 359/802, 803, 811,
359/817, 818, 819
CPC G02B 3/05; G02B 22/02; G02B 25/02;
G06F 1/16; G06F 19/00

See application file for complete search history.

(57) **CLAIM**

The ornamental design for a video game magnifying lens, as shown and described herein.

DESCRIPTION

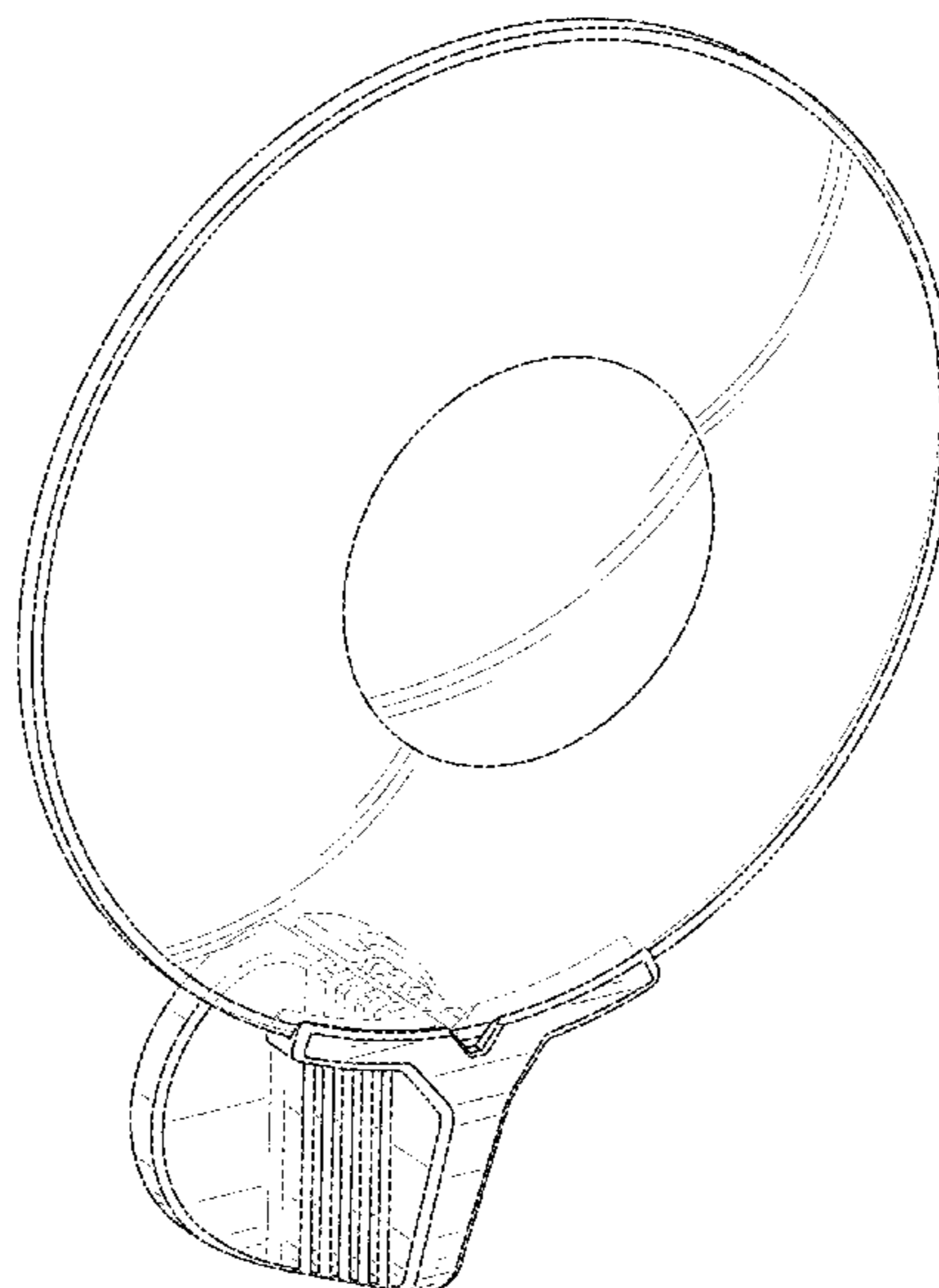
FIG. 1 is a perspective view of a video game magnifying lens. FIG. 2 is a front view of the video game magnifying lens. FIG. 3 is a rear view of the video game magnifying lens. FIG. 4 is a right side view of the video game magnifying lens. FIG. 5 is a left side of the video game magnifying lens. FIG. 6 is a top view of the video game magnifying lens. FIG. 7 is a bottom view of the video game magnifying lens; and, FIG. 8 is a perspective view thereof, shown without the magnifying lens for clarity.

(56) **References Cited**

U.S. PATENT DOCUMENTS

2,449,886 A 9/1948 Dougherty
3,527,524 A 9/1970 Pace et al.
3,955,884 A 5/1976 Del Pesco, Sr.
3,996,947 A 12/1976 Szpur et al.
4,051,535 A 9/1977 Inglis
4,094,598 A 6/1978 Hodges

1 Claim, 7 Drawing Sheets



(56)

References Cited

U.S. PATENT DOCUMENTS

5,307,209 A * 4/1994 Iaquinto et al. 359/811
5,325,278 A * 6/1994 Tortola et al. 362/109
D426,860 S * 6/2000 Ho D21/333
D460,495 S * 7/2002 Naghi et al. D21/333
6,417,894 B1 7/2002 Goff et al.
D462,395 S * 9/2002 Hussaini et al. D21/333
D470,161 S * 2/2003 Lee D16/135
D470,896 S * 2/2003 Hussaini et al. D21/333
6,989,948 B2 1/2006 Hussaini et al.
7,277,239 B2 10/2007 Carnevali
7,286,306 B2 10/2007 Wu
7,548,386 B2 * 6/2009 Huang 359/802

8,123,622 B1 * 2/2012 Young et al. 463/47
8,294,998 B1 10/2012 Samo
D678,954 S * 3/2013 Young et al. D21/333
2005/0141185 A1 6/2005 O'Neal et al.
2011/0025902 A1 2/2011 Miroshnichenko
2011/0069404 A1 3/2011 Lappin
2012/0176689 A1 7/2012 Brown

FOREIGN PATENT DOCUMENTS

EP 0478802 A1 8/1992
GB 2402229 1/2004
JP H0862513 3/1994
KR 200469312 9/2013

* cited by examiner

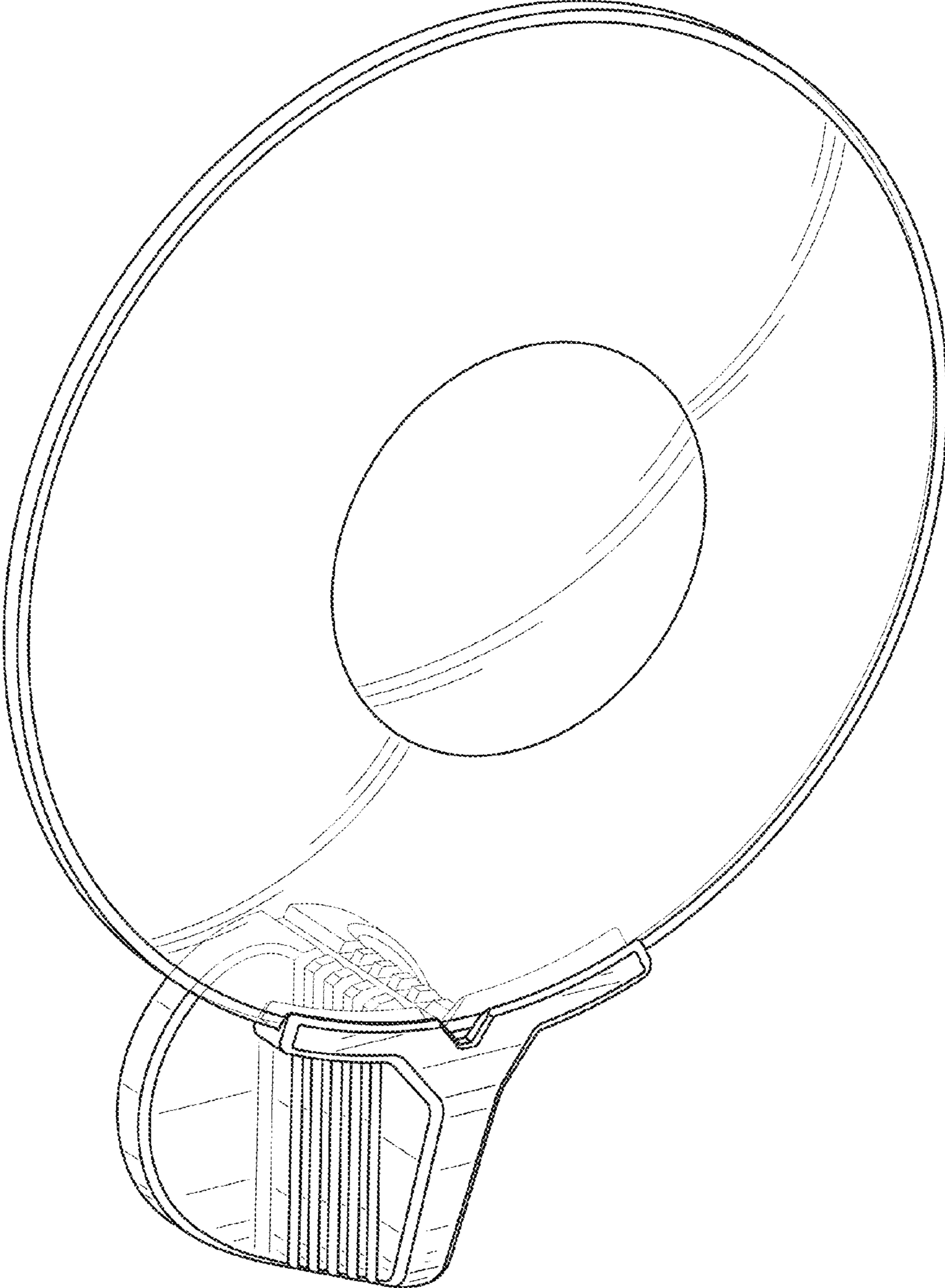


FIG. 1

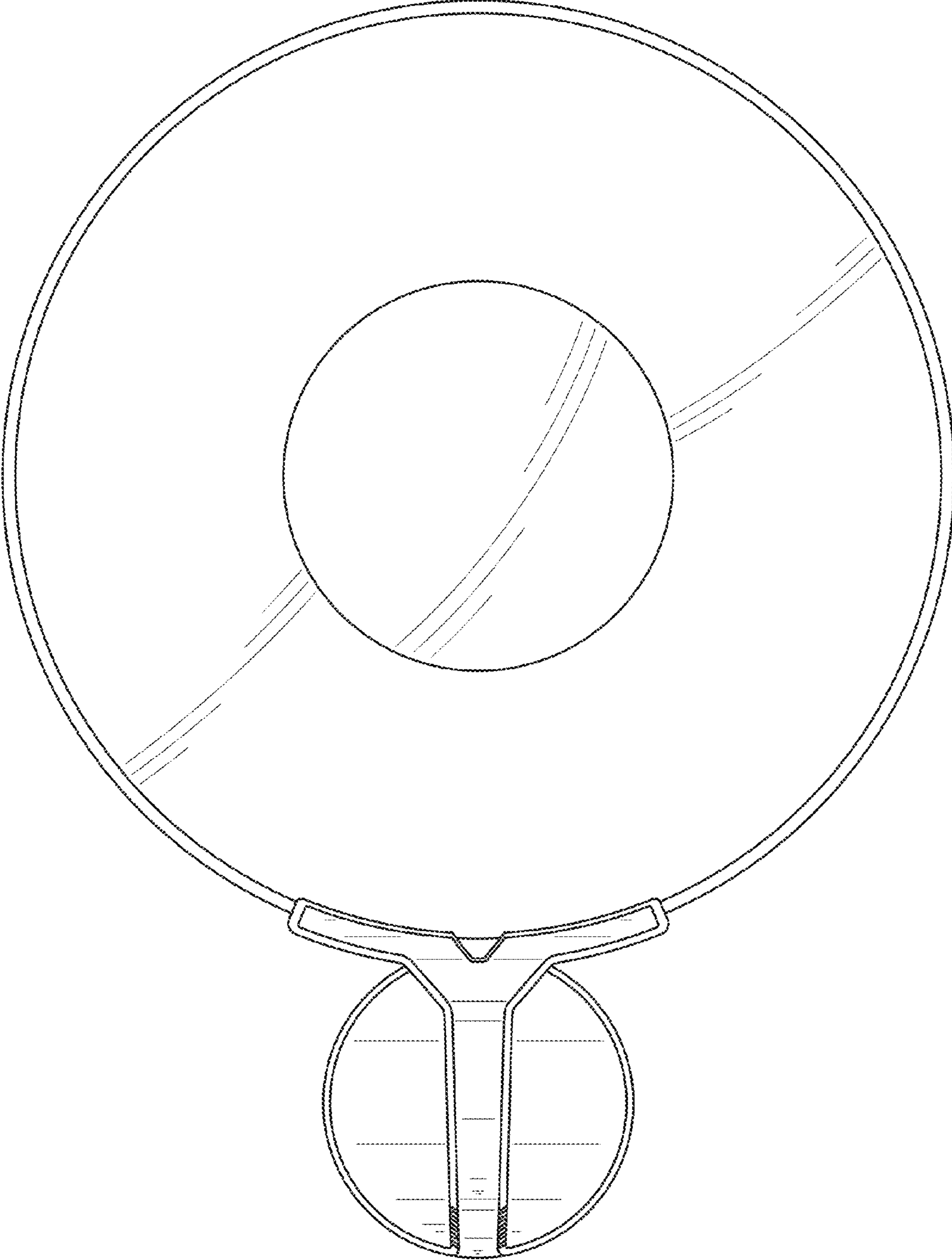


FIG. 2

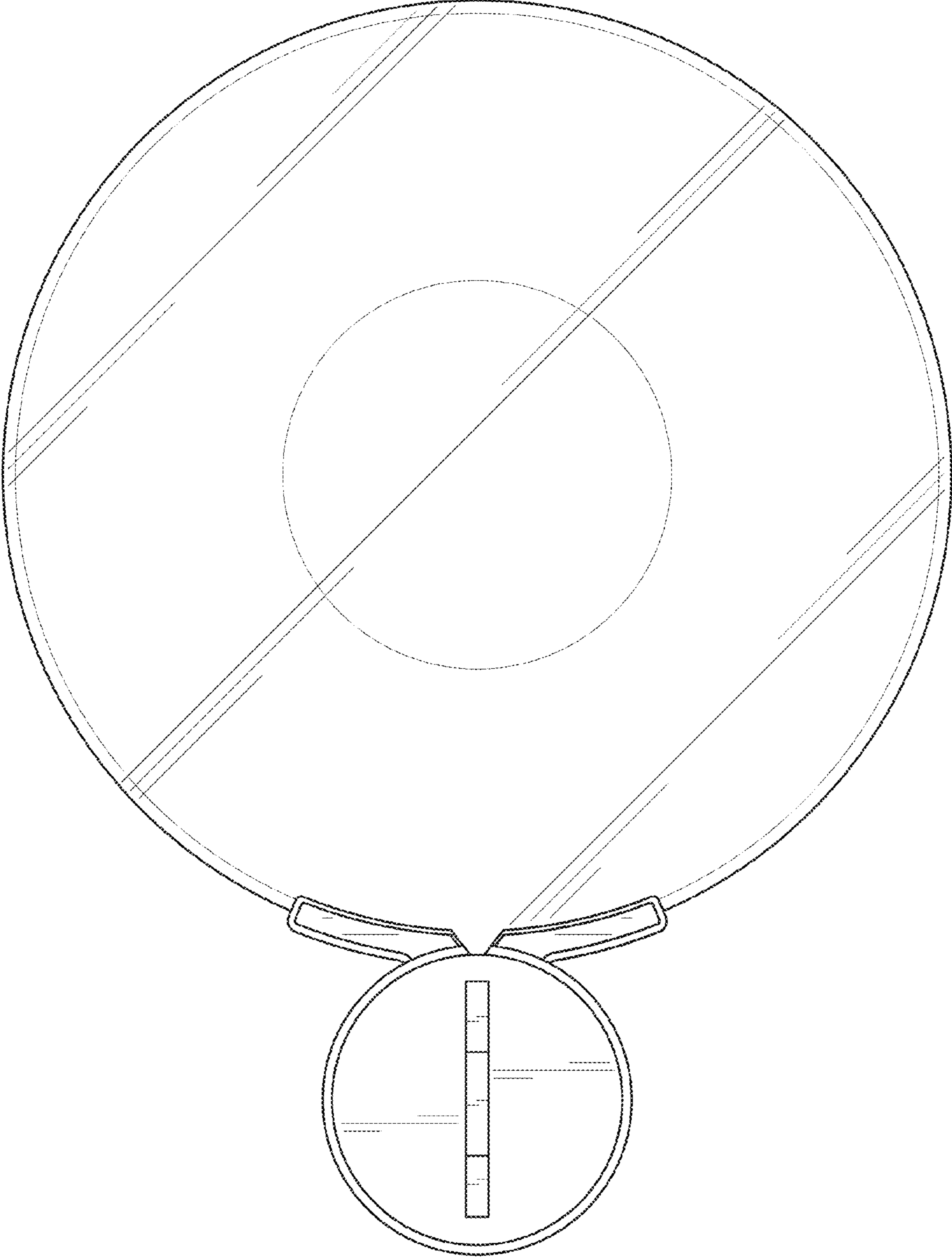


FIG. 3

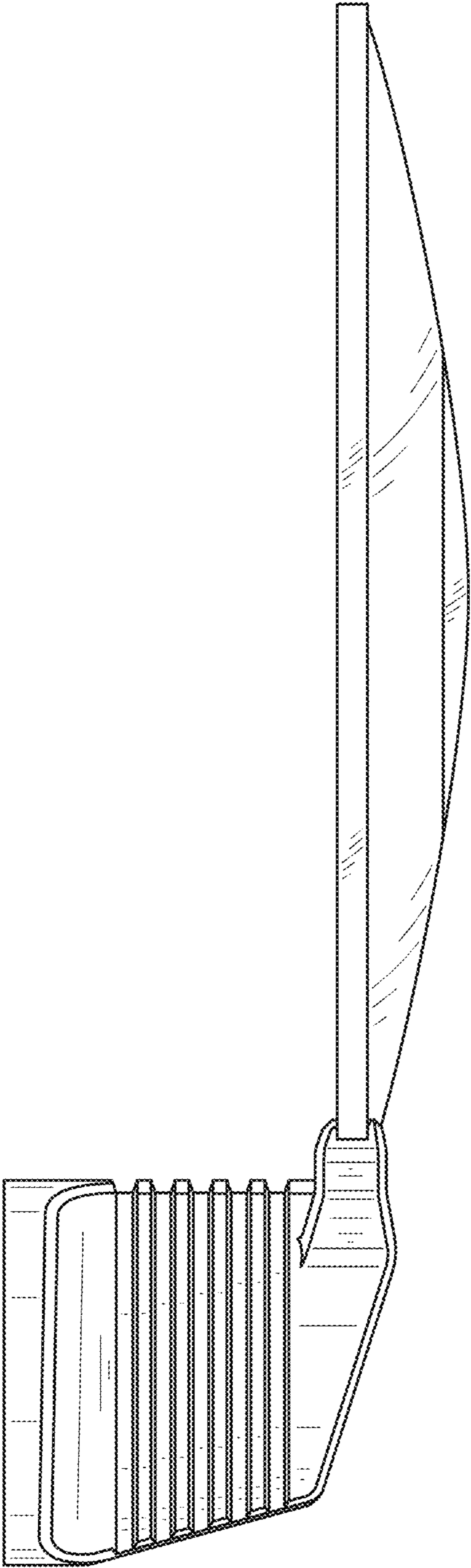


FIG. 4

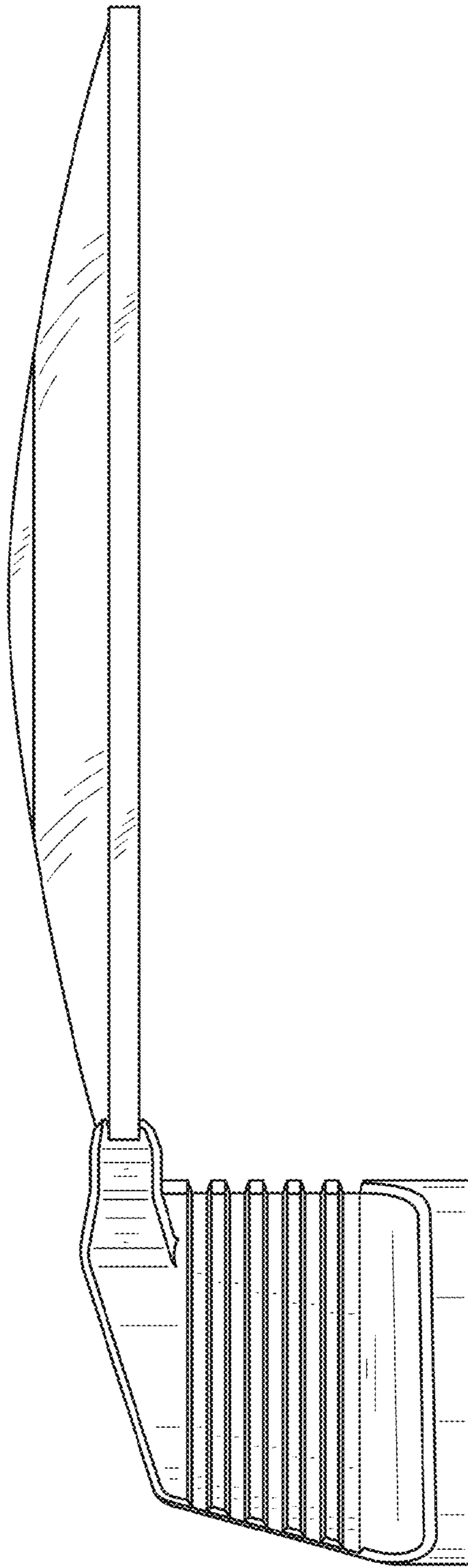


FIG. 5

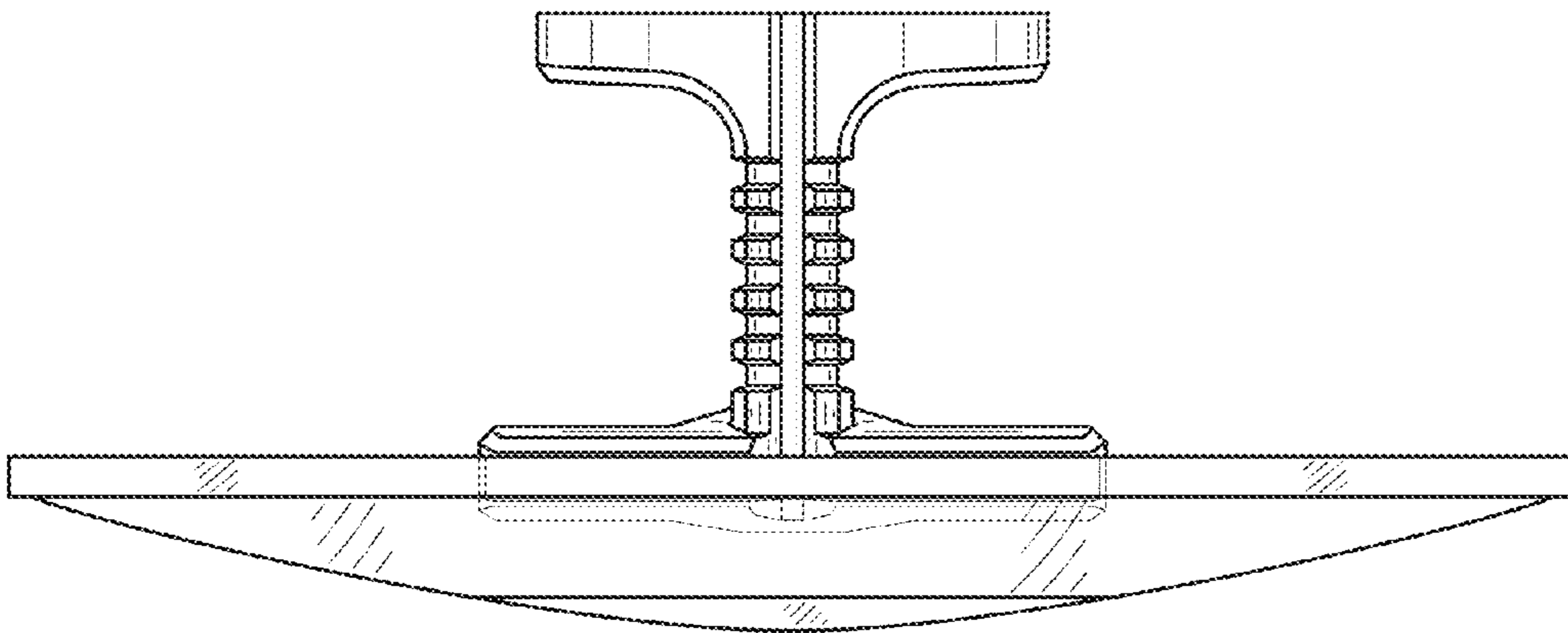


FIG. 6

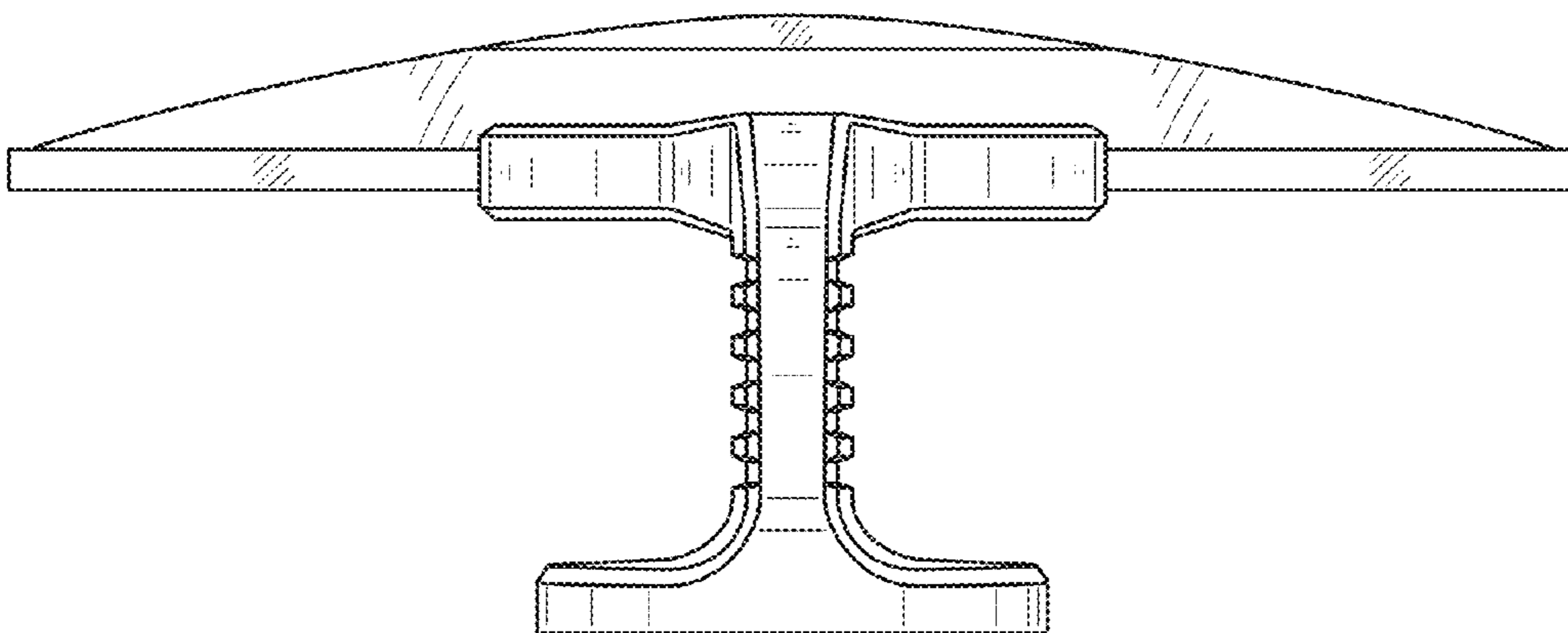


FIG. 7

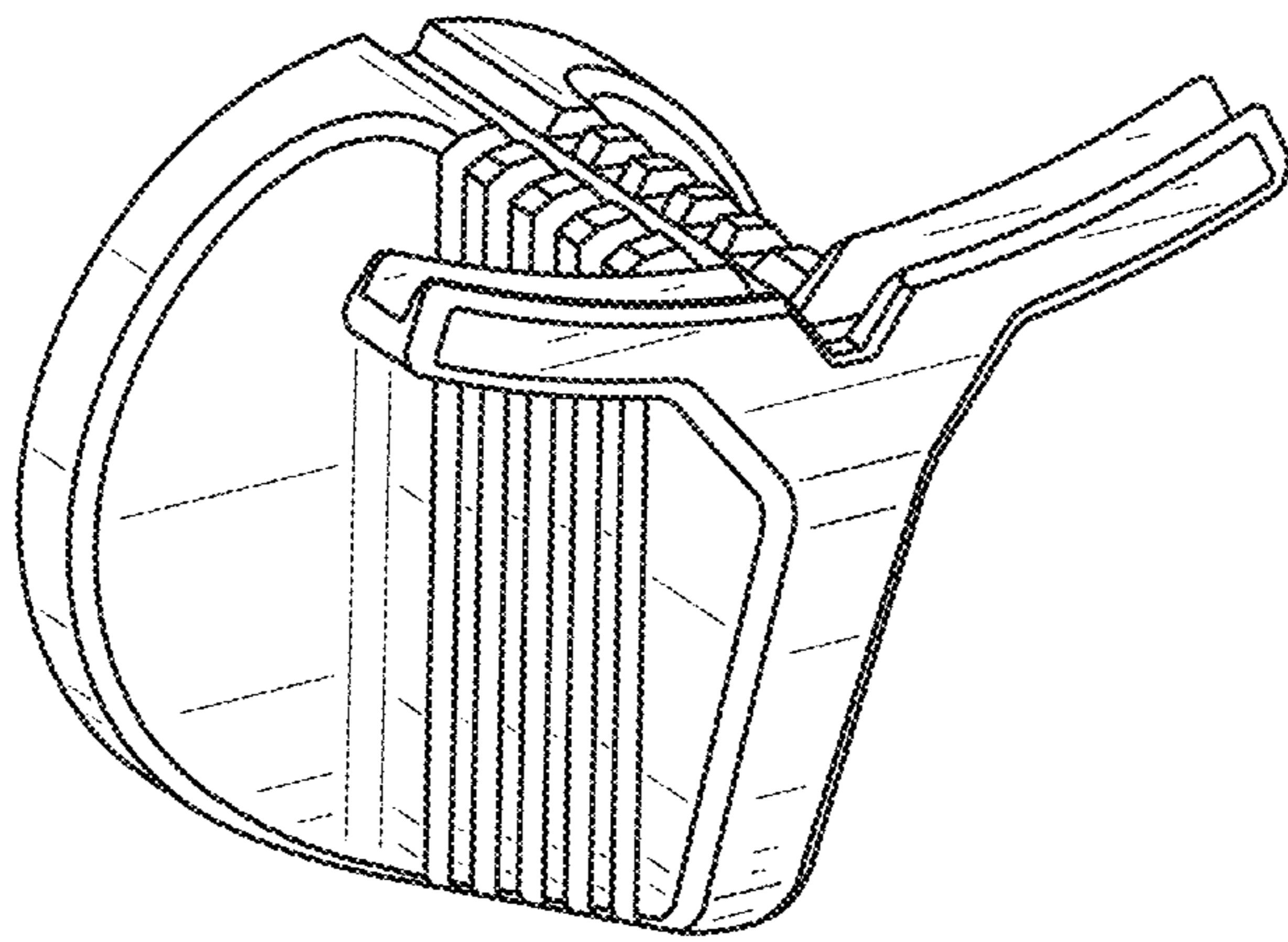


FIG. 8