



US00D740369S

(12) **United States Design Patent**
Cho et al.

(10) **Patent No.:** **US D740,369 S**

(45) **Date of Patent:** **** Oct. 6, 2015**

(54) **CONTROLLER FOR ELECTRONIC LEARNING DEVICE**

(71) Applicant: **LG Electronics Inc.**, Seoul (KR)

(72) Inventors: **Yoonyoung Cho**, Gyeonggi-do (KR);
Youngwon Jeong, Gyeonggi-do (KR)

(73) Assignee: **LG Electronics Inc.**, Seoul (KR)

(**) Term: **14 Years**

(21) Appl. No.: **29/494,742**

(22) Filed: **Jun. 24, 2014**

(30) **Foreign Application Priority Data**

Dec. 26, 2013 (KR) 30-2013-0065500

(51) **LOC (10) Cl.** **21-01**

(52) **U.S. Cl.**
USPC **D21/333**

(58) **Field of Classification Search**

USPC D21/324, 328, 333, 385, 477, 566;
D14/399-402, 412, 414, 416, 432;
273/148 B, 449, 441, 442; 463/1,
463/29-35, 46, 47; 345/156, 161; 434/45,
434/46
CPC A63F 13/00; A63F 13/02; A63F 9/00;
G09G 9/00

See application file for complete search history.

(56) **References Cited**

U.S. PATENT DOCUMENTS

5,332,322	A *	7/1994	Gambaro	400/489
5,645,277	A *	7/1997	Cheng	273/148 B
5,973,757	A *	10/1999	Aubuchon et al.	348/734
D496,031	S *	9/2004	Ma et al.	D14/240
6,809,722	B2 *	10/2004	Mei et al.	345/163
D556,701	S *	12/2007	Nohara et al.	D13/168
D557,749	S *	12/2007	Sakai	D21/333
D587,713	S *	3/2009	Sutton	D14/412
D658,184	S *	4/2012	Chang et al.	D14/413
D688,313	S *	8/2013	Brunner et al.	D21/333

* cited by examiner

Primary Examiner — Prabhakar Deshmukh

(74) *Attorney, Agent, or Firm* — Morgan, Lewis & Bockius LLP

(57) **CLAIM**

The ornamental design for a controller for electronic learning device, as shown and described.

DESCRIPTION

FIG. 1 is a perspective view of a controller for electronic learning device showing our new design;
FIG. 2 is a front view thereof;
FIG. 3 is a rear view thereof;
FIG. 4 is a left side view thereof;
FIG. 5 is a right side view thereof;
FIG. 6 is a top plan view thereof; and,
FIG. 7 is a bottom plan view thereof.

1 Claim, 7 Drawing Sheets

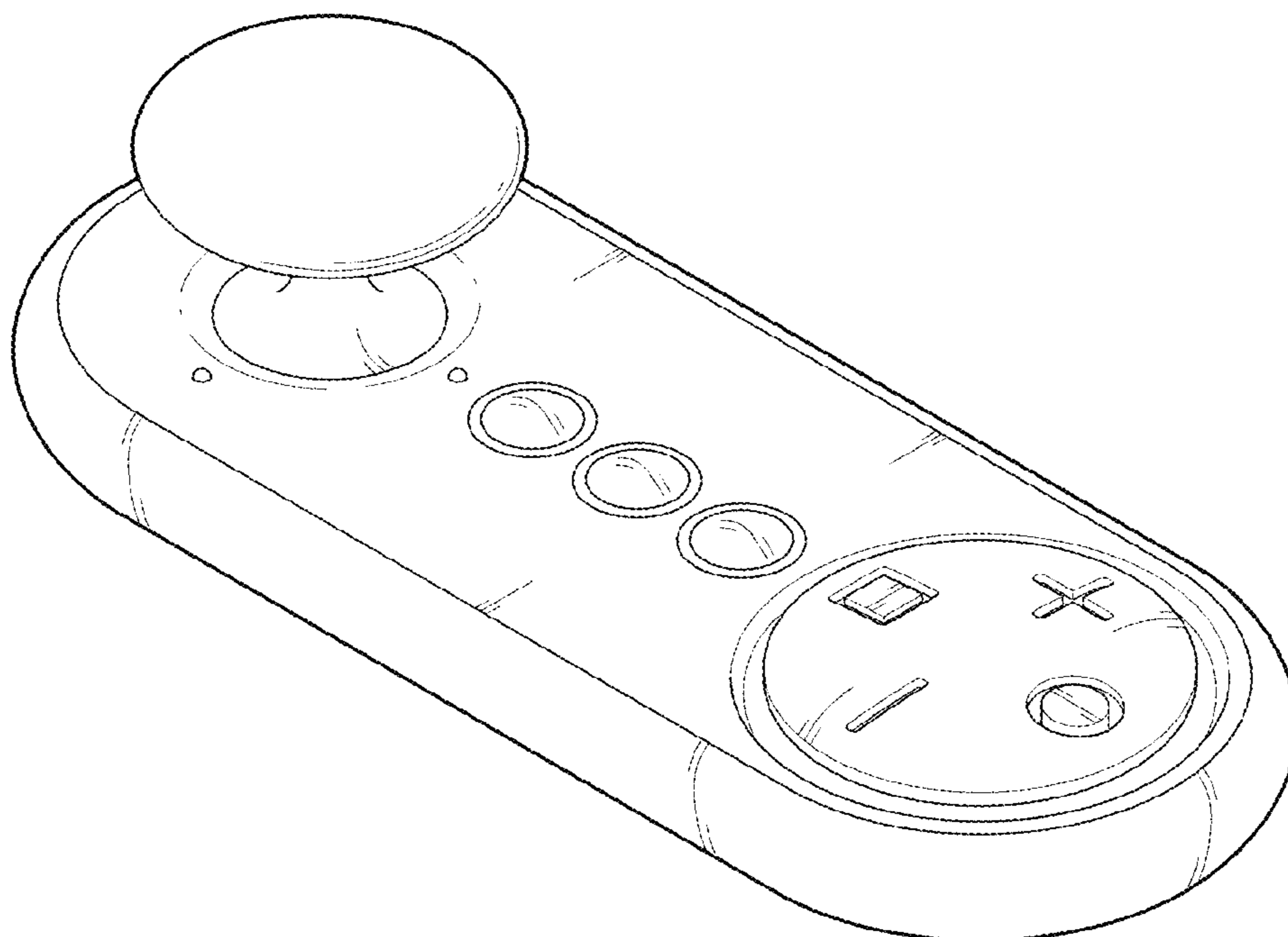


FIG. 1

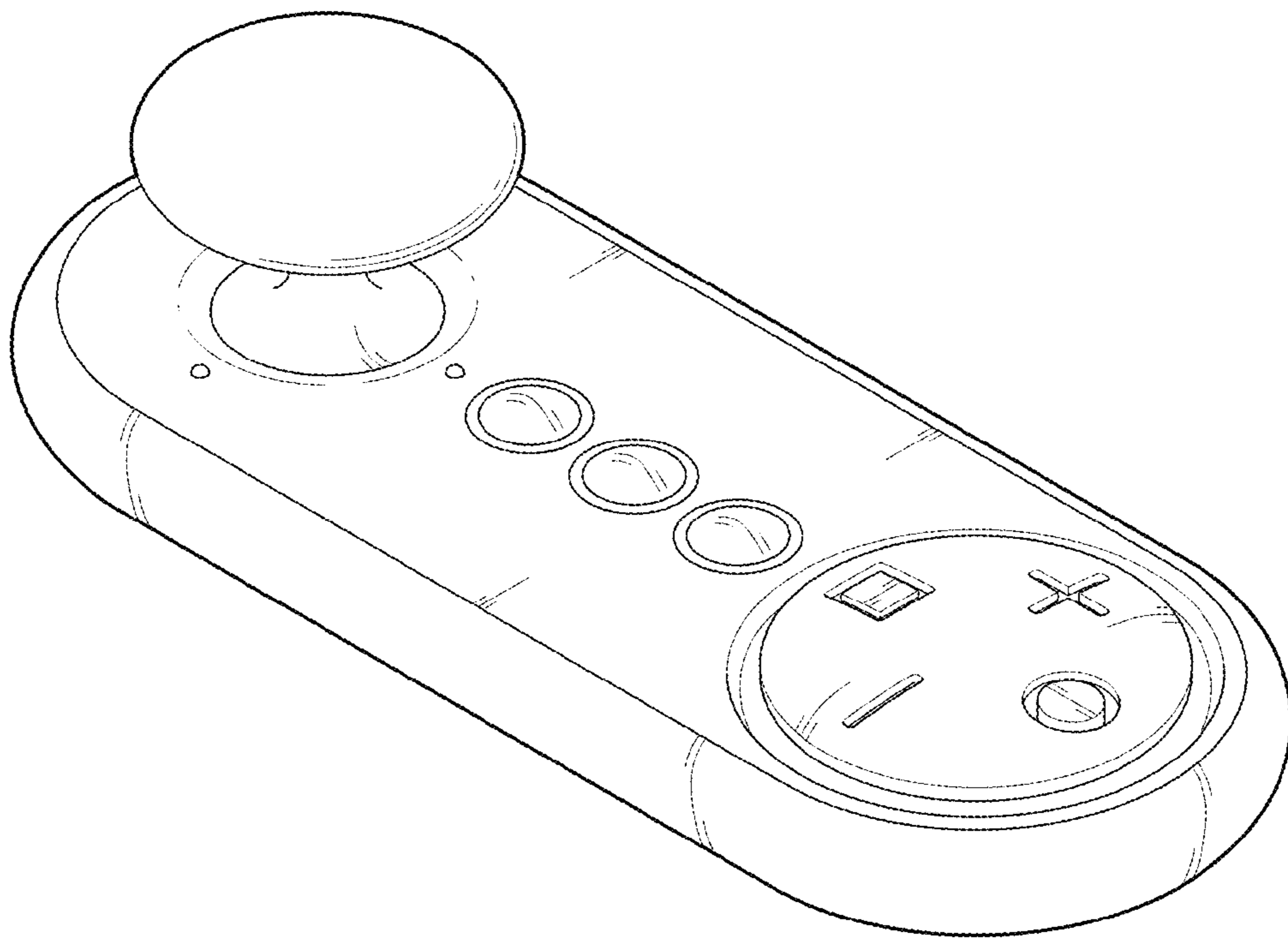


FIG. 2

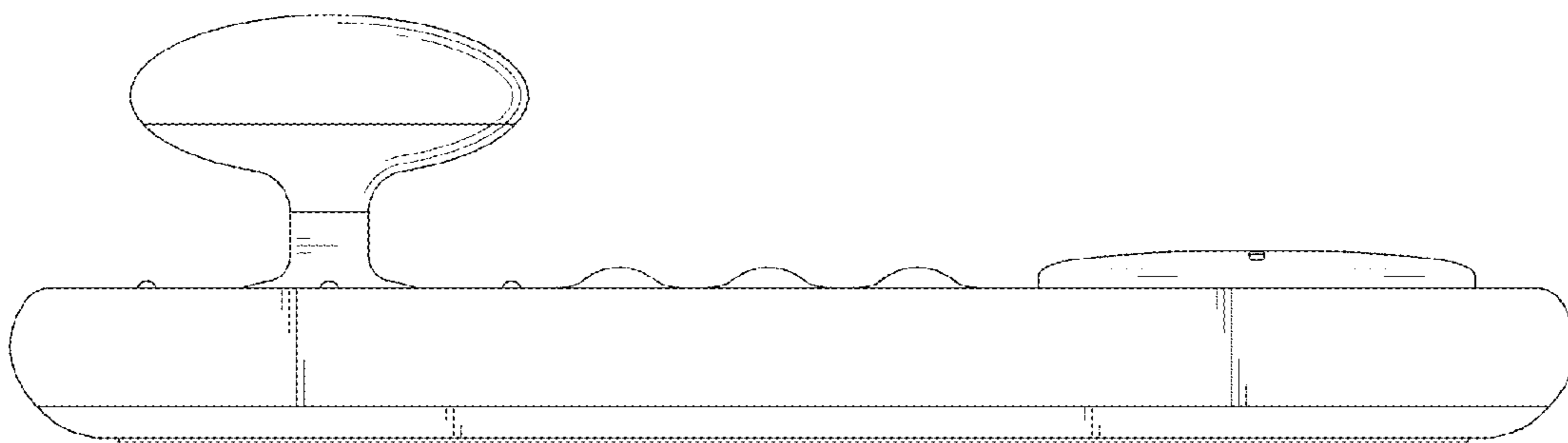


FIG. 3

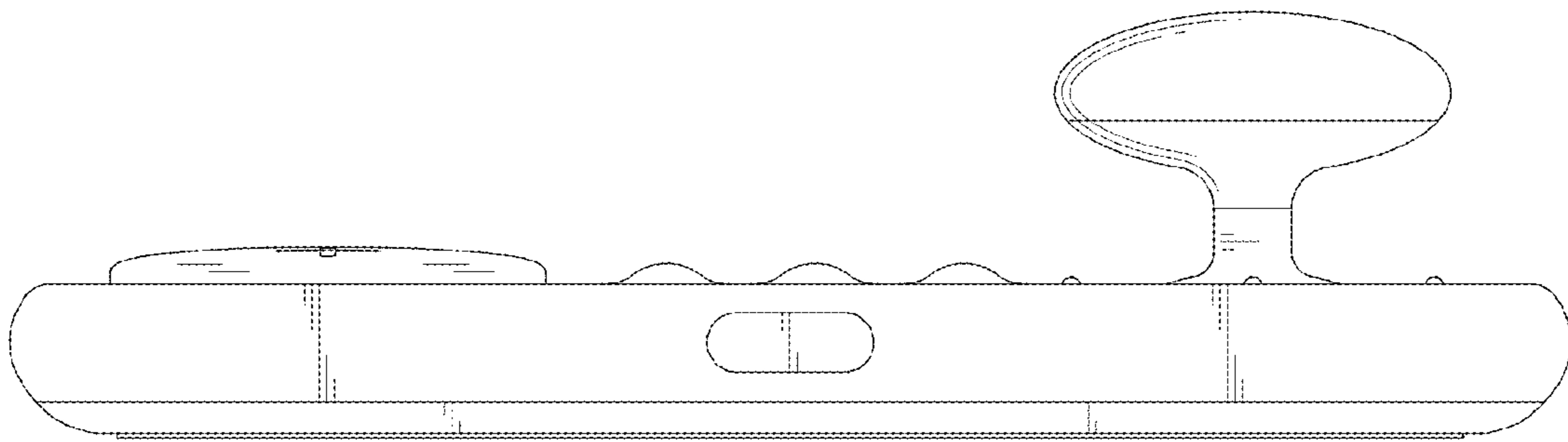


FIG. 4

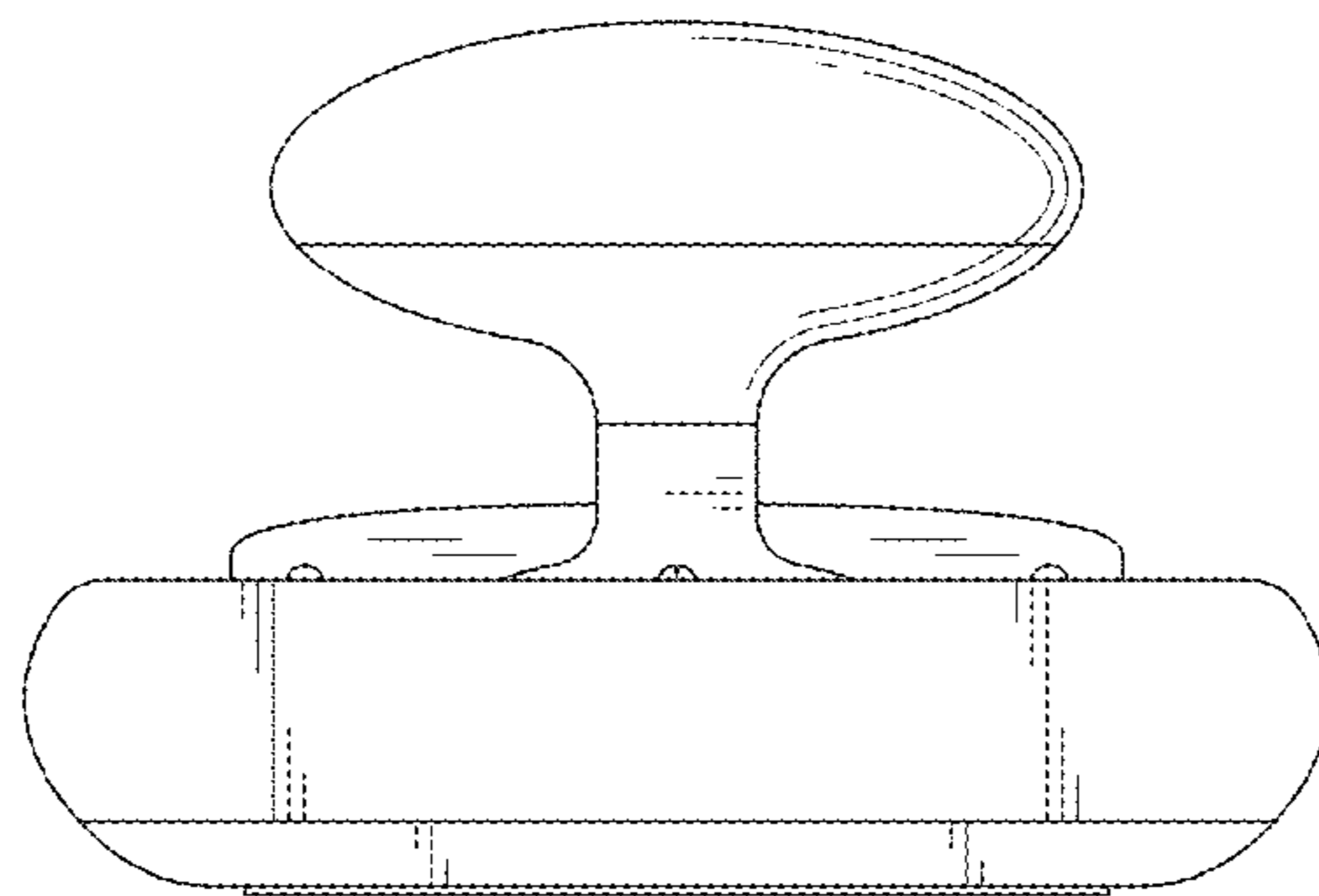


FIG. 5

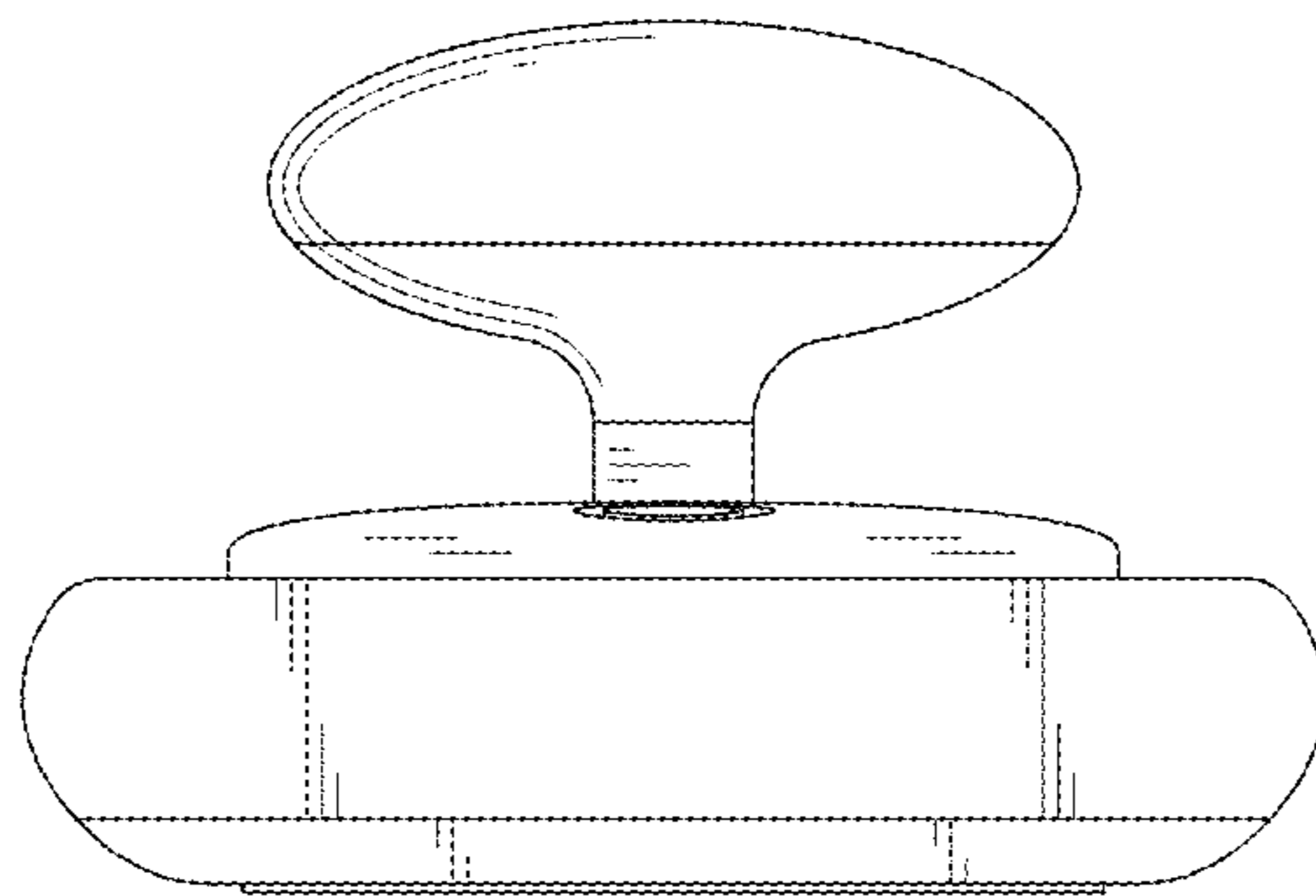


FIG. 6

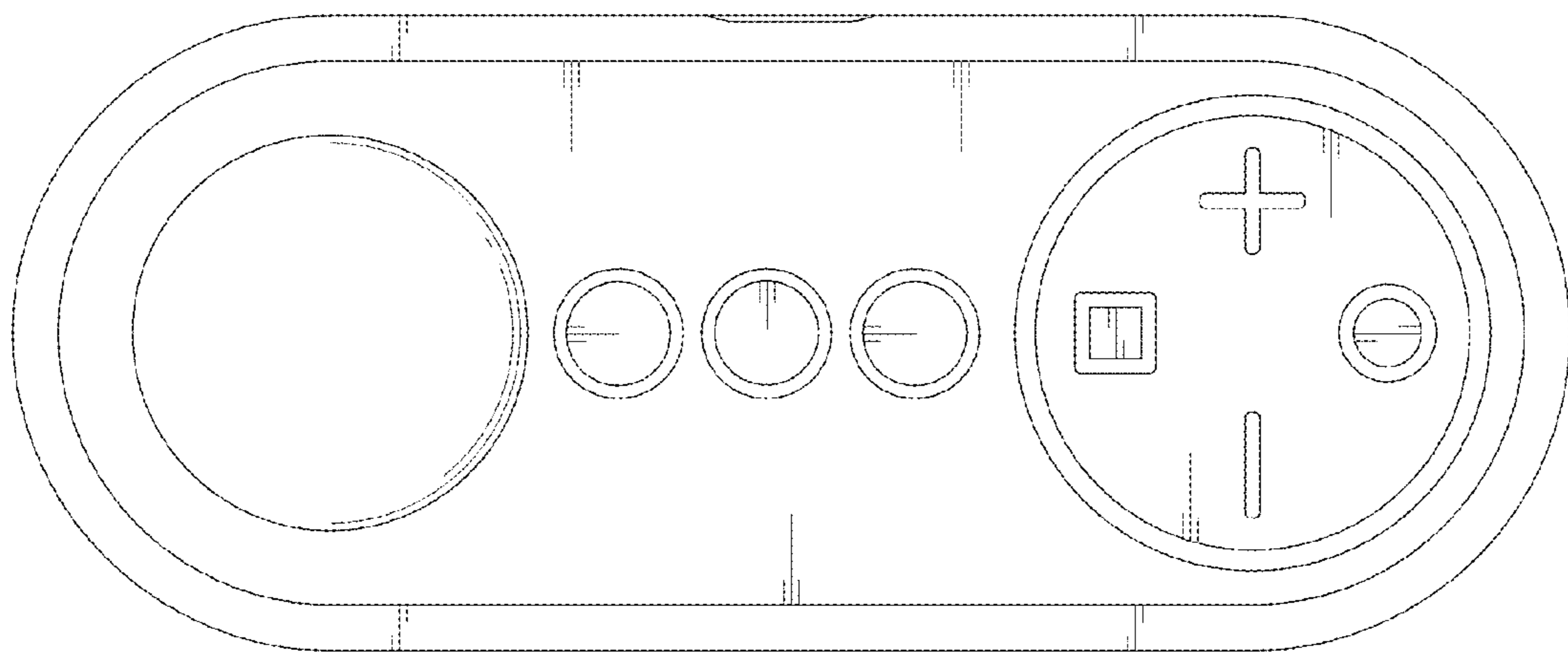


FIG. 7

