



US00D740367S

(12) **United States Design Patent**  
**White**

(10) **Patent No.:** **US D740,367 S**

(45) **Date of Patent:** **\*\* Oct. 6, 2015**

(54) **RAILING SUPPORT INSERT**

(71) Applicant: **Franklin B White**, Ft. Pierce, FL (US)

(72) Inventor: **Franklin B White**, Ft. Pierce, FL (US)

(\*\*) Term: **14 Years**

(21) Appl. No.: **29/463,593**

(22) Filed: **Jan. 10, 2014**

(51) **LOC (10) Cl.** ..... **20-02**

(52) **U.S. Cl.**  
USPC ..... **D20/41**; D25/127; D8/354; D8/373;  
D8/394

(58) **Field of Classification Search**  
USPC ..... D20/41, 32, 33, 42-44, 99; D25/127,  
D25/126, 128, 131, 133, 134, 199, 38.1, 42,  
D25/44; D8/354, 355, 373, 380, 382, 383,  
D8/394, 499; 256/19, 22, 34, 65.04, 65.05,  
256/59, 63, 64, 65.01, 67, 68, 65.02, 65.03,  
256/65.08, 65.11, 65.12, 65.14; 248/688,  
248/689, 121, 122.1, 123.11, 125.1, 125.7,  
248/125.8, 125.9, 126, 127, 137, 138, 139,  
248/146, 154, 156, 370, 158, 161, 407, 410,  
248/423, 424, 425, 429, 172, 440, 176.1,  
248/177.1, 187.1, 200, 200.1, 218.4, 219.1,  
248/219.2, 220.21, 221.11, 227.2, 694;  
52/27, 33, 831, 846, 750; 40/606.01,  
40/607.01-607.12, 611.05-611.09,  
40/611.12, 612  
CPC ..... G09F 7/08; G09F 7/10; G09F 7/18;  
G09F 2007/1804; G09F 2007/1813; G09F  
2007/1817; G09F 2007/1821; G09F  
2007/1826; G09F 2007/183; G09F 2007/1843;  
G09F 2007/1847; G09F 2007/1856; G09F  
2007/1878

See application file for complete search history.

(56) **References Cited**

U.S. PATENT DOCUMENTS

1,443,247	A *	1/1923	Wrightman	.....	40/607.11
2,541,434	A	2/1951	Leonard et al.	.....	248/210
2,655,748	A	10/1953	Hirt	.....	40/612
D183,569	S	9/1958	Hoffman	.....	D10/109.1
D241,539	S *	9/1976	Iverson	.....	D20/22

(Continued)

OTHER PUBLICATIONS

Newman traffic signs mounting hardware 1 page 2008 [http://www.newmansigns.com/traffic\\_signs/accessories.php](http://www.newmansigns.com/traffic_signs/accessories.php).\*

(Continued)

*Primary Examiner* — Susan Moon Lee

(74) *Attorney, Agent, or Firm* — David A. Burge

(57) **CLAIM**

I claim the ornamental design for a railing support insert, as shown and described.

**DESCRIPTION**

FIG. 1 is a perspective view showing front, top and right side features of a first embodiment of my design that has an elongate, upwardly-opening cross-member from which centrally depends a tubular stem that is of indefinite length;

FIG. 2 is a front elevation view thereof;

FIG. 3 is a top plan view thereof;

FIG. 4 is a bottom plan view thereof;

FIG. 5 is a right side view thereof, it being understood that a left side view is identical hereto;

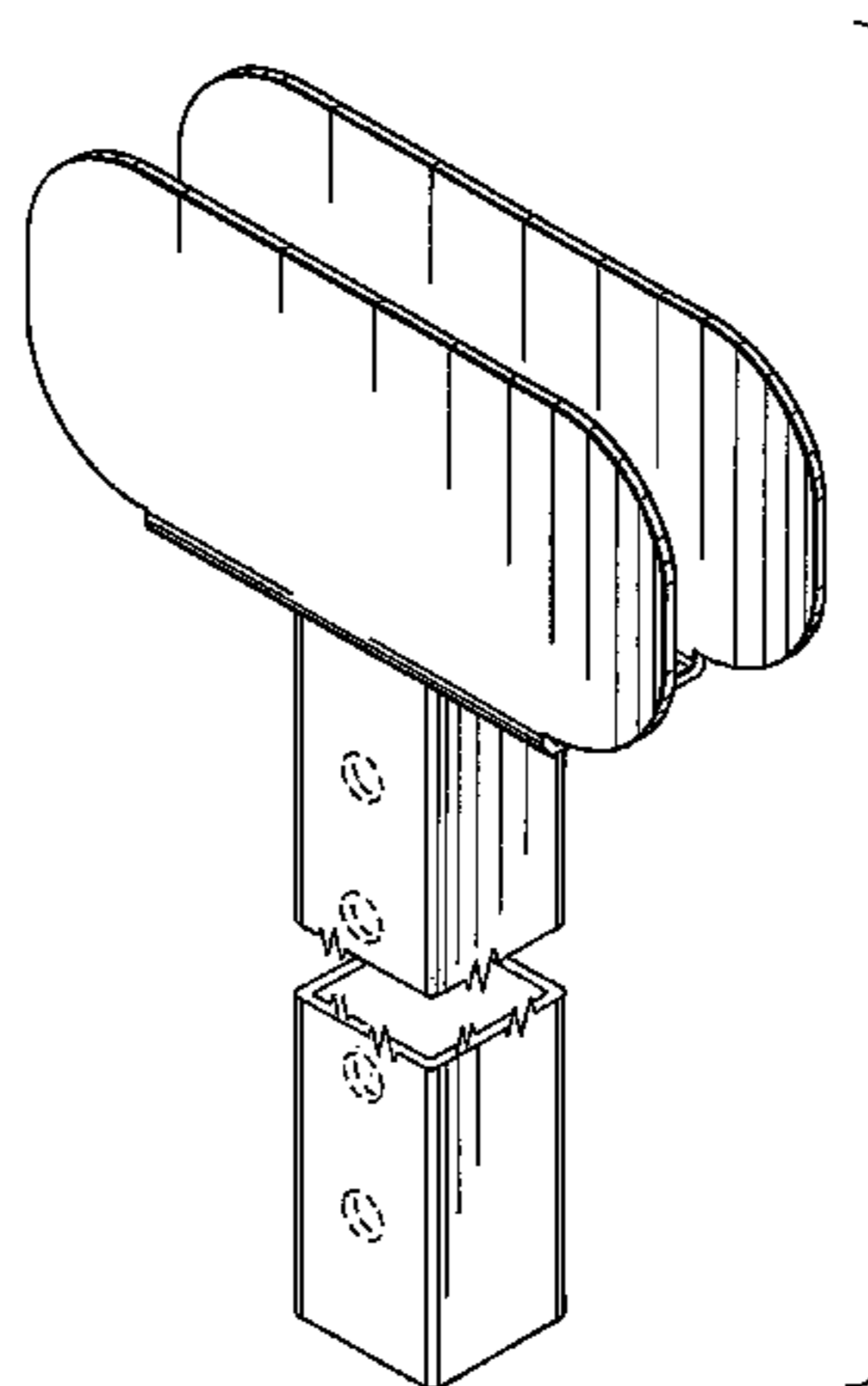
FIG. 6 is a front elevation view of a second embodiment of my design that differs from the embodiment shown in FIGS. 1-5 only in that the depending tubular stem is of fixed length, as shown; and,

FIG. 7 is a right side elevation view thereof, it being understood that a left side elevation view is identical hereto.

Top and bottom views of the second embodiment are omitted inasmuch as they are identical to FIGS. 3 and 4, respectively. The broken lines depict holes in the article and form no part of the claimed design.

The broken away symbols in the drawing indicate that the appearance of any portion of the article between the break lines forms no part of the claimed design.

**1 Claim, 4 Drawing Sheets**



(56)

References Cited

U.S. PATENT DOCUMENTS

4,134,222 A \* 1/1979 Orsos ..... 40/606.15  
 4,249,832 A 2/1981 Schmanski ..... 404/6  
 4,338,041 A 7/1982 Schmanski ..... 404/9  
 4,347,932 A \* 9/1982 Furutu ..... 206/343  
 D286,166 S \* 10/1986 Russell ..... D20/22  
 D296,075 S 6/1988 Jones ..... D8/373  
 D306,690 S 3/1990 Bison ..... D8/382  
 5,015,119 A 5/1991 Schmanski ..... 404/12  
 D321,914 S \* 11/1991 Tam ..... D20/43  
 5,141,187 A 8/1992 Sherman ..... 248/74.4  
 D330,523 S \* 10/1992 Killion ..... D10/119.2  
 D331,006 S 11/1992 Dziejdzic ..... D8/356  
 D334,815 S 4/1993 Bungler ..... D25/113  
 5,208,585 A 5/1993 Sprague ..... 340/908.1  
 D337,912 S 8/1993 Silverburg ..... D6/567  
 5,244,172 A 9/1993 Allega ..... 248/161  
 D342,011 S 12/1993 Maguire ..... D8/349  
 D344,764 S \* 3/1994 Tam ..... D20/43  
 D347,568 S 6/1994 Siragusa et al. .... D8/382  
 D353,627 S \* 12/1994 McCormick ..... D20/43  
 D354,773 S 1/1995 Koves ..... D19/99  
 D369,958 S 5/1996 Huang et al. .... D8/387  
 D370,171 S 5/1996 Emerson ..... D8/354  
 D373,074 S 8/1996 Miyashita ..... D8/382  
 D374,811 S 10/1996 Miyashita ..... D8/382  
 D377,751 S 2/1997 Koebbe ..... D8/355  
 5,619,829 A 4/1997 Tan et al. .... 52/293.3  
 D389,078 S 1/1998 Freeman ..... D10/113.2  
 5,709,051 A 1/1998 Mazziotti ..... 52/12  
 D393,045 S \* 3/1998 Hsu ..... D20/43  
 D400,428 S 11/1998 Sabounjian ..... D8/382  
 D401,211 S 11/1998 Simpson ..... D12/223  
 5,878,519 A 3/1999 Huyck, Jr. et al. .... 40/612  
 5,906,064 A \* 5/1999 Field ..... 40/607.11  
 D416,290 S \* 11/1999 Poelvoorde et al. .... D20/43  
 D420,566 S 2/2000 Ely et al. .... D8/354  
 D425,133 S \* 5/2000 Ueno ..... D20/43  
 D428,804 S 8/2000 Benz et al. .... D8/382  
 D430,789 S 9/2000 Opperman ..... D8/363  
 6,378,232 B1 \* 4/2002 Creech ..... 40/606.15  
 6,378,818 B1 \* 4/2002 Padiak et al. .... 248/201  
 D464,013 S 10/2002 Adams et al. .... D12/223  
 D474,676 S 5/2003 Bainbridge ..... D8/354  
 6,695,266 B1 2/2004 Tsai ..... 248/125.8  
 D488,056 S 4/2004 Dion ..... D8/381  
 D491,450 S 6/2004 Braun et al. .... D8/382  
 D507,226 S 7/2005 Oksa ..... D12/223  
 D507,352 S \* 7/2005 Vanderbrugghen ..... D25/42  
 D508,572 S \* 8/2005 Suggate ..... D25/134  
 6,962,461 B2 11/2005 Choi et al. .... 404/6  
 D520,322 S 5/2006 Orlando ..... D8/70  
 7,069,680 B1 7/2006 Crawford ..... 40/607.14  
 D547,462 S \* 7/2007 Petta et al. .... D25/122  
 D552,947 S 10/2007 Ewasiuk ..... D8/5  
 D557,344 S 12/2007 Johnson ..... D20/41  
 D558,274 S 12/2007 Geeves ..... D20/41  
 D559,665 S 1/2008 Terada et al. .... D8/382  
 D563,776 S 3/2008 Dagg ..... D8/382  
 D564,868 S 3/2008 Terada et al. .... D8/382

D571,645 S 6/2008 Skoog ..... D8/382  
 D576,026 S 9/2008 Mazzocco ..... D8/382  
 D583,219 S 12/2008 Dagg ..... D8/349  
 D591,586 S 5/2009 Dagg ..... D8/382  
 D599,649 S 9/2009 Wakasugi et al. .... D8/382  
 D609,752 S 2/2010 Miller ..... D20/41  
 D611,887 S 3/2010 Peschmann ..... D12/223  
 D617,180 S 6/2010 VanElverdinghe ..... D8/382  
 D617,633 S 6/2010 VanElverdinghe ..... D8/382  
 7,770,849 B2 8/2010 Martin et al. .... 248/65  
 D623,697 S \* 9/2010 Makhija et al. .... D20/41  
 D627,630 S \* 11/2010 Sandinge ..... D8/380  
 D631,734 S \* 2/2011 Fernandez et al. .... D8/380  
 D638,694 S \* 5/2011 Misch ..... D8/380  
 7,997,547 B1 \* 8/2011 Maus ..... 248/219.3  
 8,001,880 B2 8/2011 White et al. .... 89/36.04  
 D650,126 S \* 12/2011 Kong et al. .... D26/138  
 D665,656 S \* 8/2012 Anzelmo ..... D8/380  
 D669,135 S \* 10/2012 Garfinkle ..... D20/43  
 D678,045 S 3/2013 Paolini ..... D8/382  
 D692,498 S \* 10/2013 Valls et al. .... D20/43  
 D695,592 S 12/2013 White ..... D8/354  
 8,656,947 B1 2/2014 Barton ..... 137/544  
 D701,107 S \* 3/2014 White ..... D8/354  
 D703,029 S \* 4/2014 Fox ..... D8/373  
 D707,545 S \* 6/2014 Schopf ..... D8/394  
 D713,463 S \* 9/2014 Dougherty et al. .... D20/43  
 D727,138 S \* 4/2015 Cross ..... D8/382  
 D730,719 S \* 6/2015 Sundberg ..... D8/354  
 D730,724 S \* 6/2015 Brown ..... D8/380  
 D732,380 S \* 6/2015 Chou ..... D8/383  
 2002/0174582 A1 \* 11/2002 Garfinkle et al. .... 40/606  
 2003/0051414 A1 3/2003 Bessette ..... 52/16  
 2005/0269466 A1 \* 12/2005 Conway et al. .... 248/222.14  
 2008/0178506 A1 \* 7/2008 Garfinkle ..... 40/658  
 2008/0307684 A1 12/2008 Ulloa et al. .... 40/607.1  
 2009/0178319 A1 7/2009 Ulloa et al. .... 40/607.1  
 2009/0289161 A1 \* 11/2009 Nuttman ..... 248/229.1  
 2010/0012811 A1 \* 1/2010 MacKenzie et al. .... 248/423  
 2011/0010974 A1 1/2011 White ..... 40/606.02  
 2011/0047845 A1 \* 3/2011 Barile ..... 40/658  
 2011/0214321 A1 \* 9/2011 White ..... 40/606.01  
 2012/0001051 A1 \* 1/2012 Williams ..... 248/519  
 2012/0204454 A1 8/2012 Larsen ..... 40/591  
 2012/0285567 A1 11/2012 Kessler ..... 137/615  
 2013/0161943 A1 6/2013 Bailey ..... 285/283

OTHER PUBLICATIONS

Western Safety Products Sign Mounting Hardware and Posts, 2015, 2 pages <http://www.westernsafety.com/products/safewaysigns/safewaysignpg4.html>.  
 Safetysign.com website 180 Degree U-Channel Post Sign Bracket and Mounting Hardware, 2015 1 page <http://www.safetysign.com/products/p8863/street-name-bracket>.  
 Grimco Inc. U Channel Post Bracket Heavy duty street sign bracket, 2015 1 page <http://www.grimco.com/Products.aspx?cid=0073&pid=00318&sid=BA180F>.  
 Traffic Sign Source website 180X U-Channel Post Bracket, 2015 1 page <http://www.trafficsignsource.com/sign-hardware.htm>.

\* cited by examiner

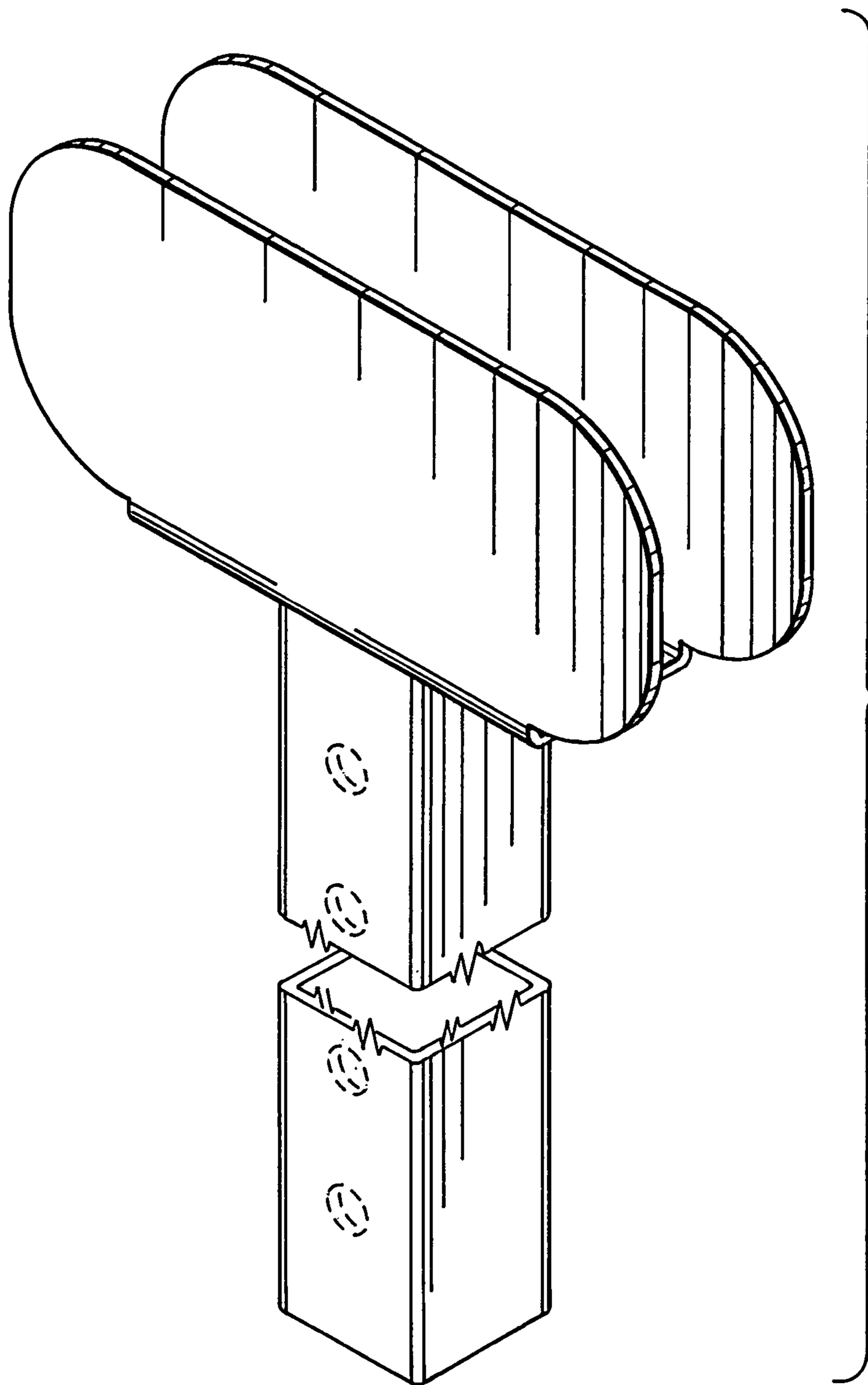


FIG. 1

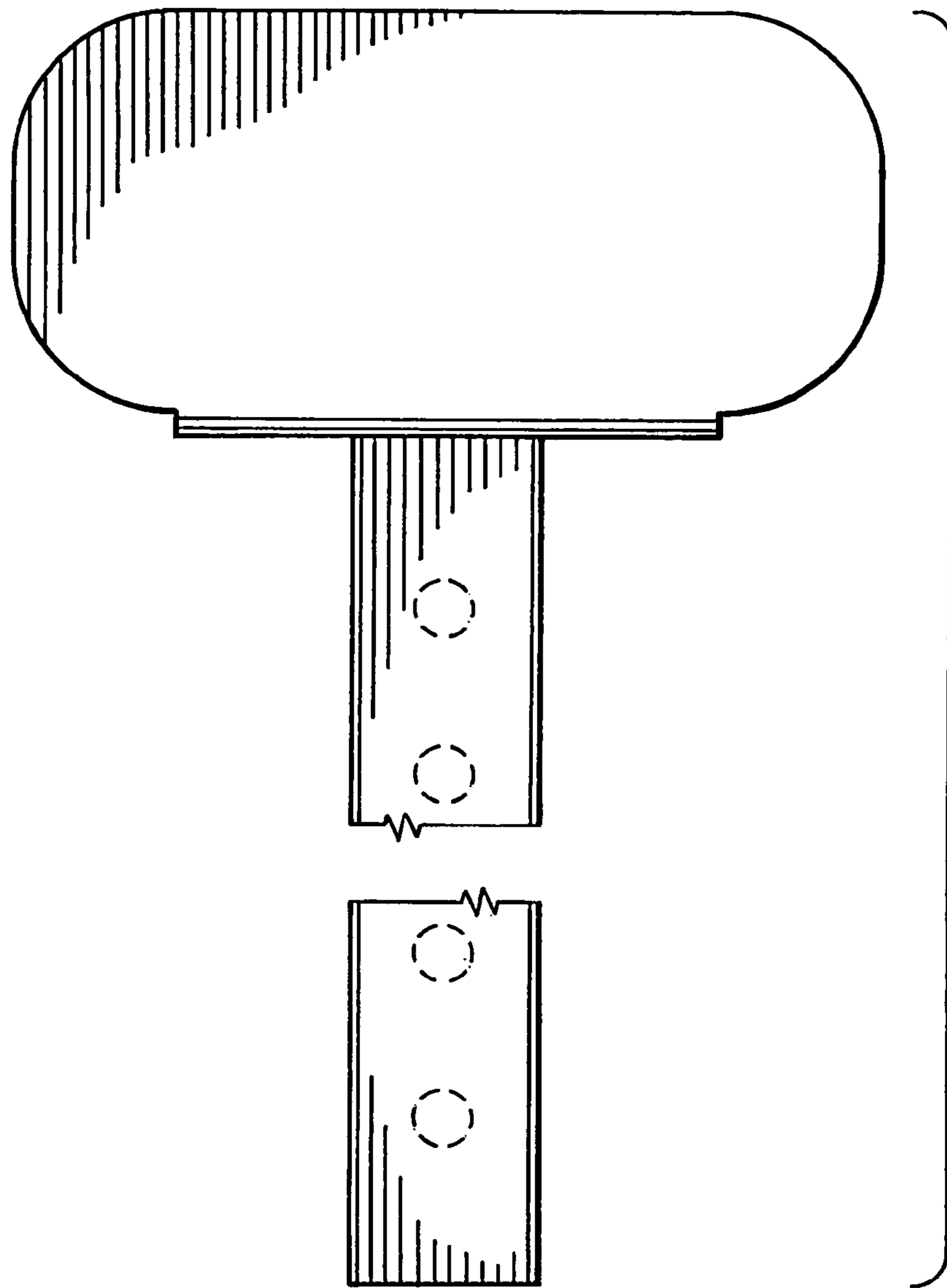


FIG. 2

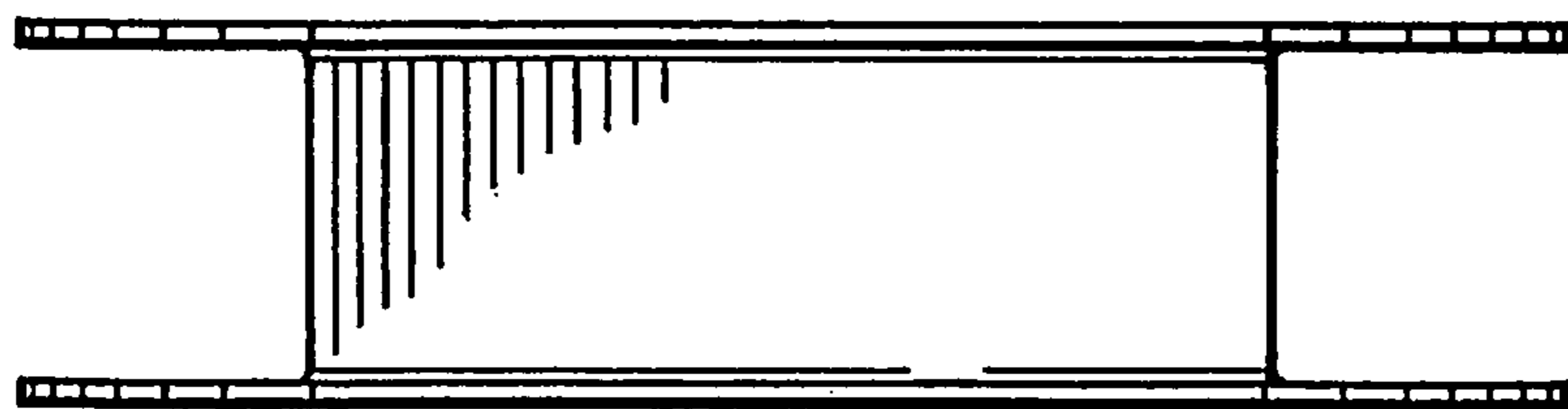


FIG. 3

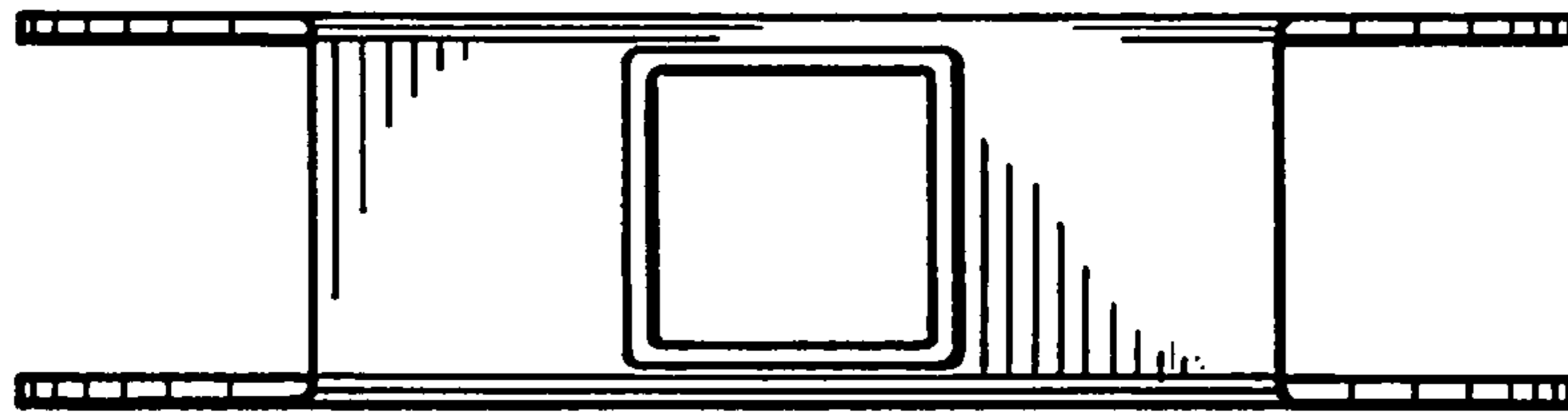


FIG. 4

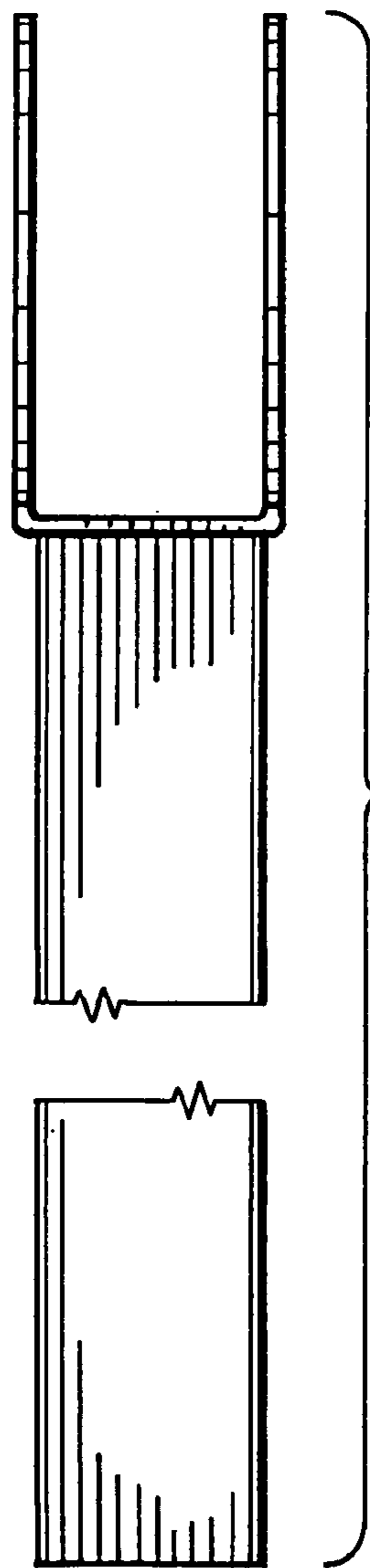


FIG. 5

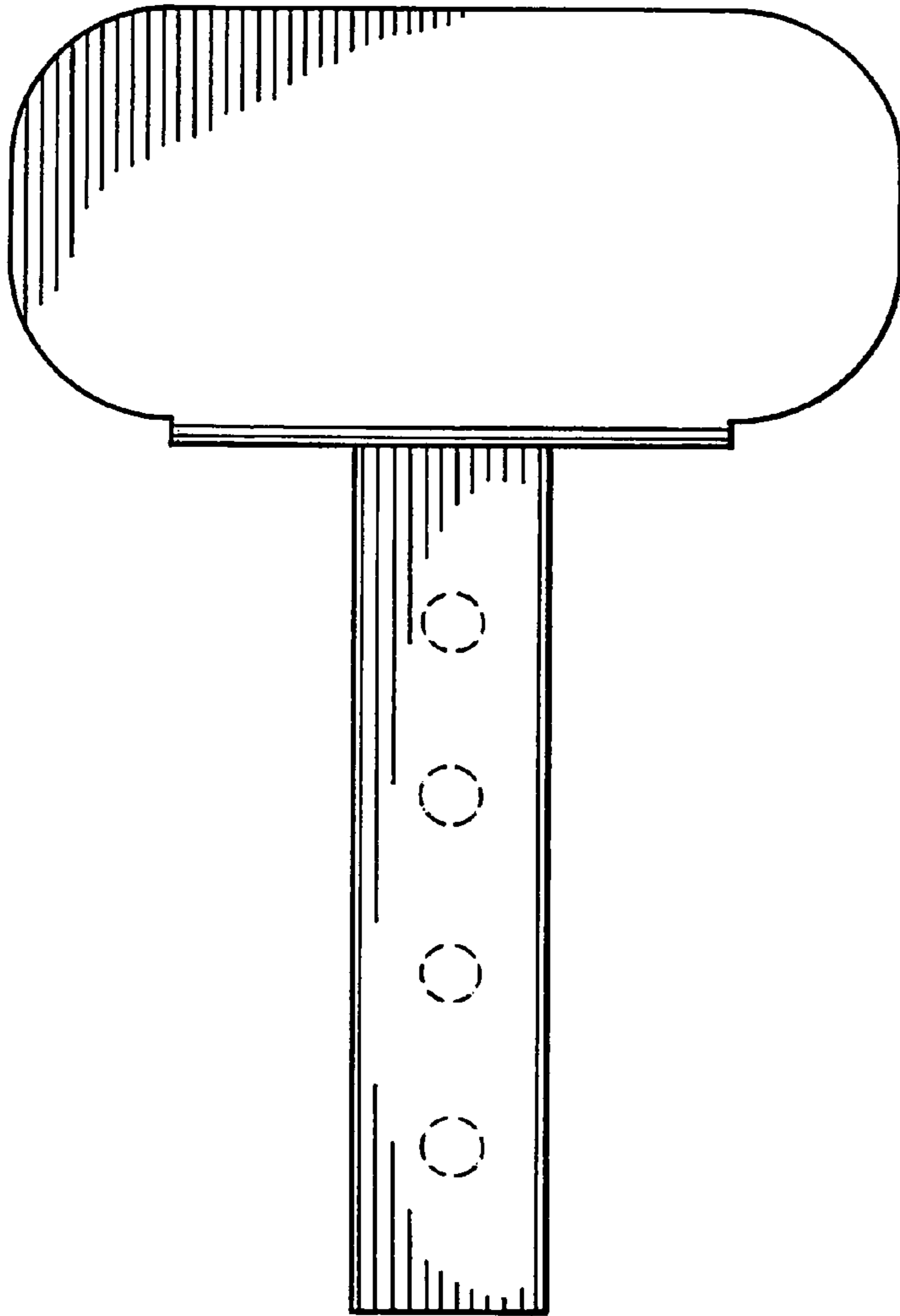


FIG. 6

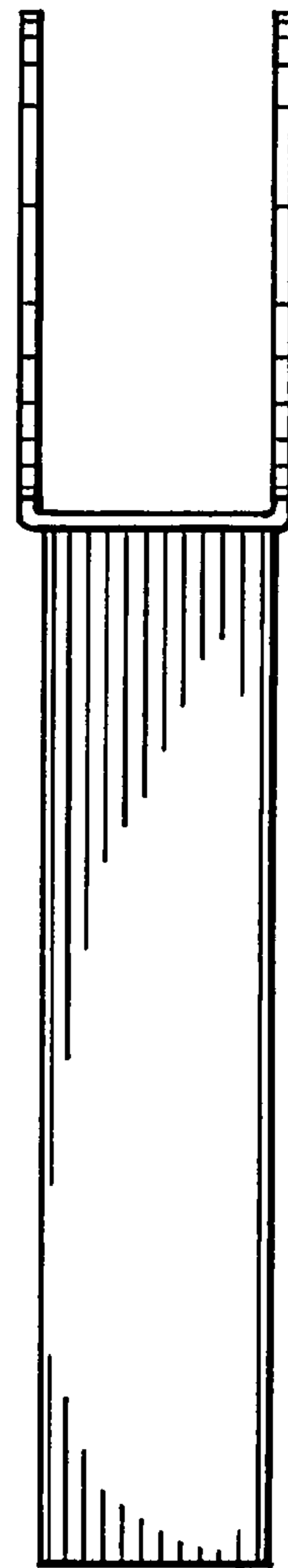


FIG. 7