



US00D740366S

(12) **United States Design Patent**
Vadenne

(10) **Patent No.:** **US D740,366 S**

(45) **Date of Patent:** **** Oct. 6, 2015**

(54) **WRITING INSTRUMENT CAP**

(71) Applicant: **Societe BIC**, Clichy (FR)

(72) Inventor: **Franck Vadenne**, Bezons (FR)

(73) Assignee: **Societe BIC**, Clichy (FR)

(**) Term: **14 Years**

(21) Appl. No.: **29/493,845**

(22) Filed: **Jun. 13, 2014**

(30) **Foreign Application Priority Data**

Dec. 13, 2013 (EM) 001393417-0001

(51) **LOC (10) Cl.** **19-06**

(52) **U.S. Cl.**
USPC **D19/195**

(58) **Field of Classification Search**
USPC D14/411; D19/115-204; D26/34, 38
CPC B43K 5/005; B43K 7/00; B43K 7/01;
B43K 7/10; B43K 8/02; B43K 8/022; B43K
8/024; B43K 8/026; B43K 8/028; B43K 8/03;
B43K 11/00
See application file for complete search history.

(56) **References Cited**

U.S. PATENT DOCUMENTS

D217,647 S *	5/1970	De Groft	D19/57
D351,417 S *	10/1994	Oka	D19/57
D390,872 S *	2/1998	Sunaga	D19/36
D456,847 S *	5/2002	Candelora et al.	D19/57
D487,113 S	2/2004	Kent		
D523,083 S *	6/2006	Furlong et al.	D19/57
D562,391 S *	2/2008	Gerules	D19/49

D572,308 S *	7/2008	Bhavnani	D19/57
D577,068 S *	9/2008	Soetewey	D19/51
D591,348 S *	4/2009	Yu et al.	D19/49
D610,617 S *	2/2010	Zhang	D19/50
D626,997 S *	11/2010	Gerules	D19/50
D628,239 S *	11/2010	Yazawa	D19/47
D662,977 S *	7/2012	Liang	D19/43
D679,328 S *	4/2013	Jiang	D19/57
D695,826 S *	12/2013	Xie	D19/933
D695,831 S *	12/2013	Xie	D19/195
D699,296 S *	2/2014	Wang	D19/195
D704,771 S *	5/2014	Wang	D19/167
2014/0023423 A1 *	1/2014	Branch	401/23

* cited by examiner

Primary Examiner — Elizabeth Albert

(74) *Attorney, Agent, or Firm* — Ohlandt, Greeley, Ruggiero & Perle, L.L.P.

(57) **CLAIM**

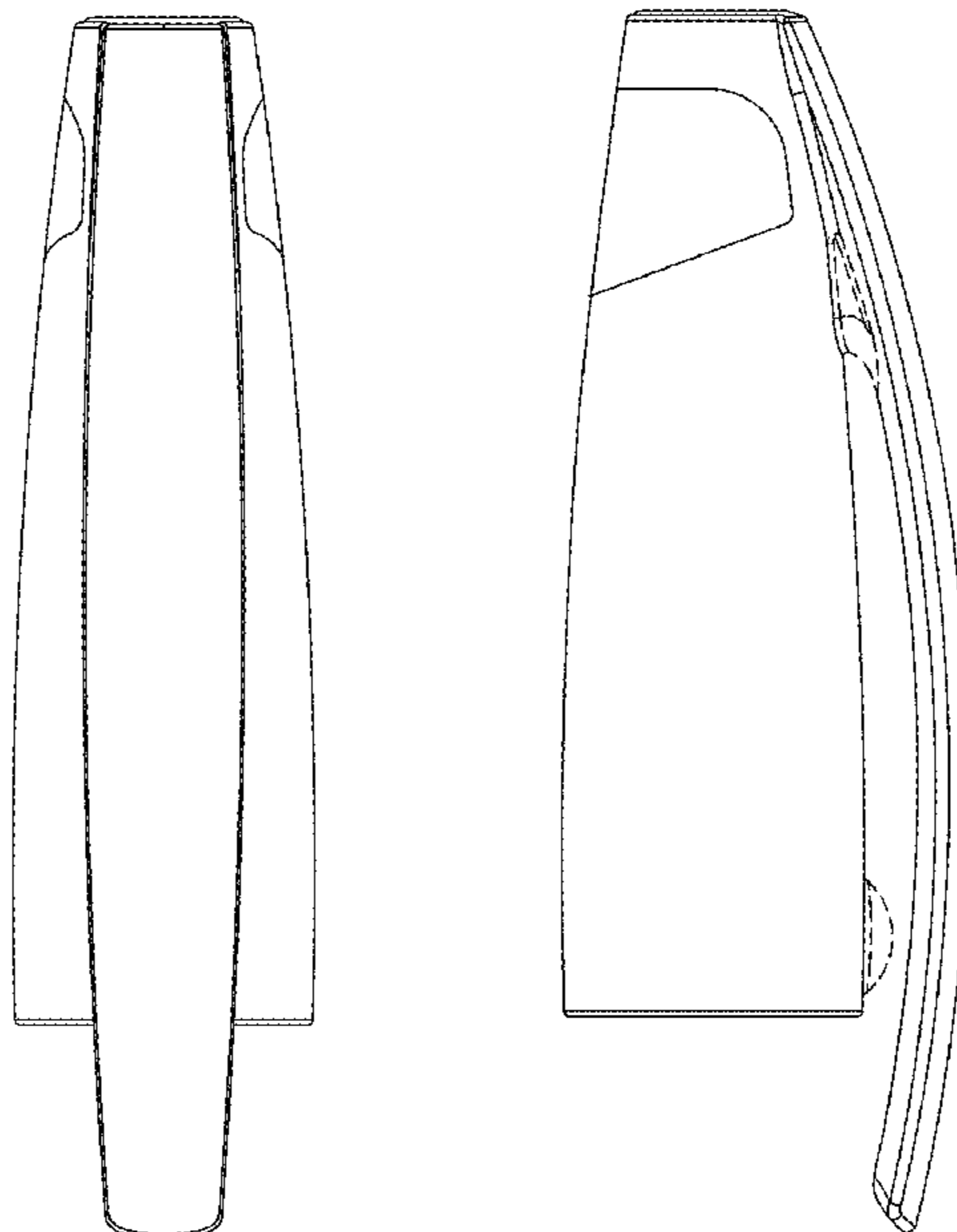
The ornamental design for a writing instrument cap, as shown and described.

DESCRIPTION

FIG. 1 is a perspective view of an ornamental design for a writing instrument cap according to the present invention; FIG. 2 is a front elevational view thereof; FIG. 3 is a rear elevational view thereof; FIG. 4 is a left side elevational view thereof; FIG. 5 is a right side elevational view thereof; FIG. 6 is a top plan view thereof; and, FIG. 7 is a bottom plan view thereof rotated 180 degrees from FIG. 6.

The broken lines in FIGS. 1 and 4 to 7 are included for the purpose of showing portions of the writing instrument cap that form no part of the claimed design.

1 Claim, 6 Drawing Sheets



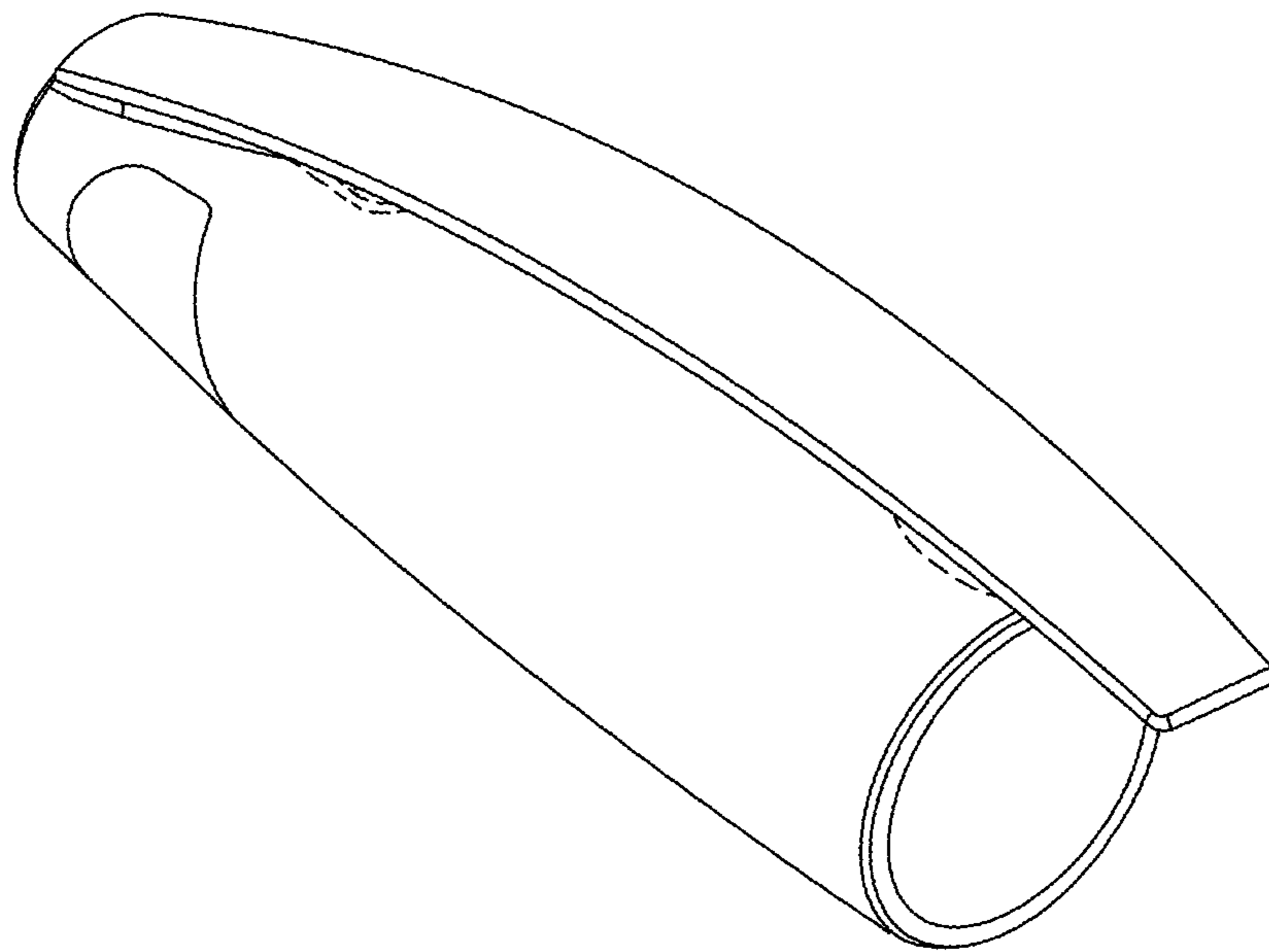


FIG. 1

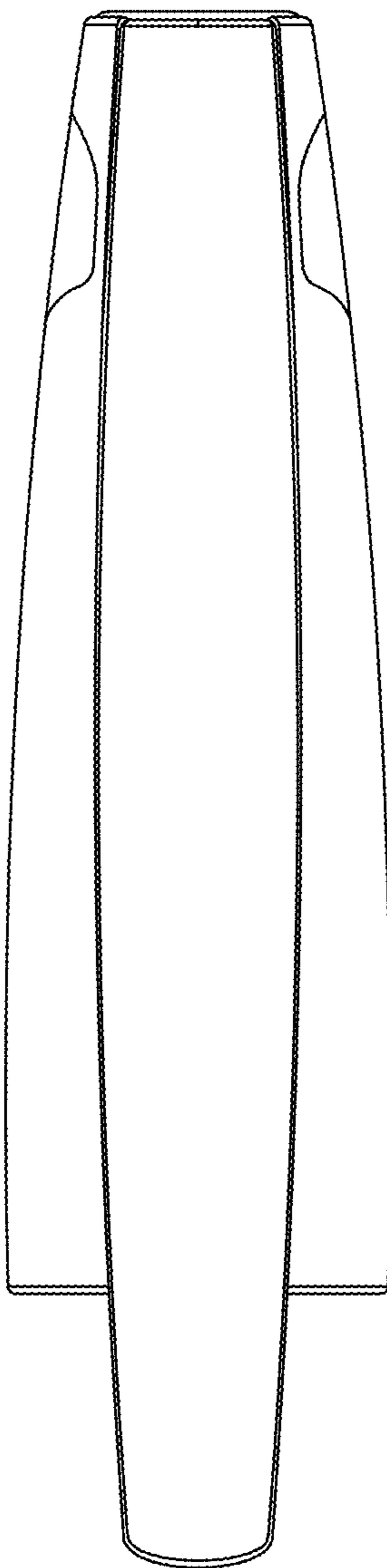


FIG. 2

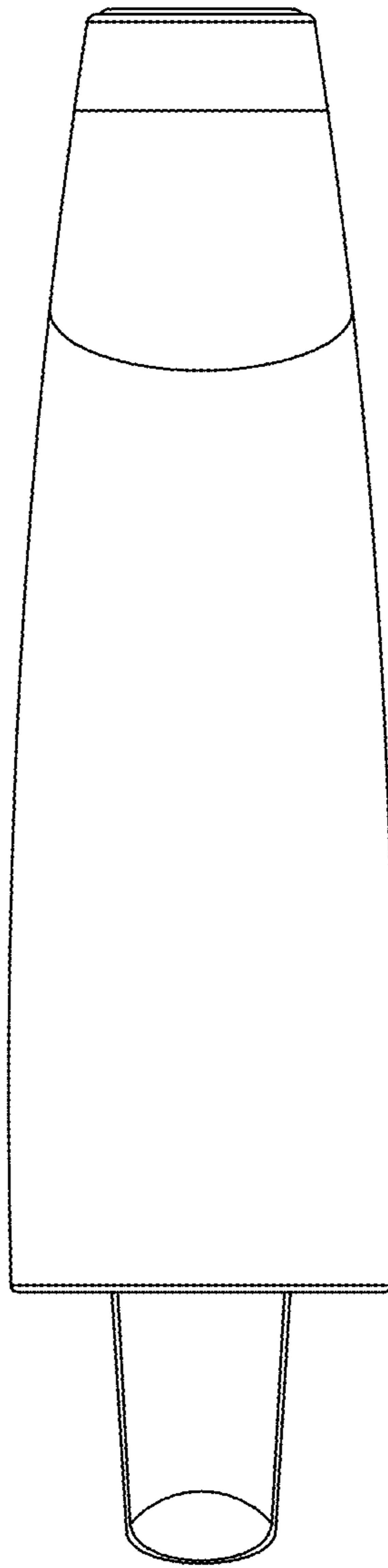


FIG. 3

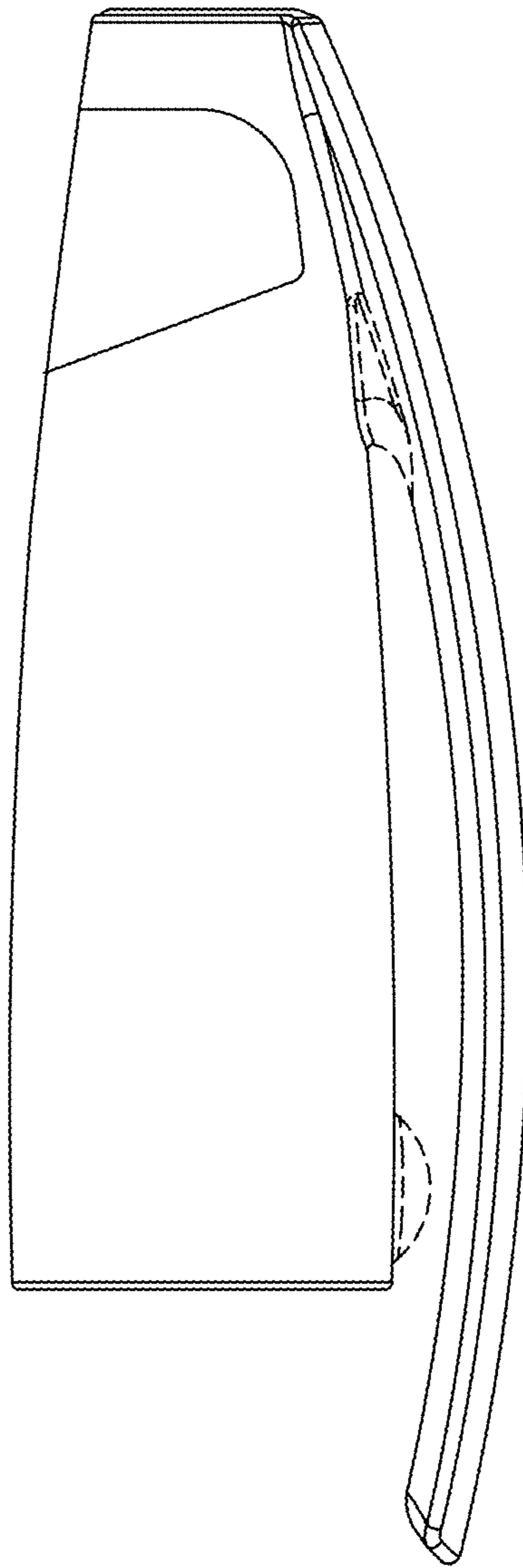


FIG. 4

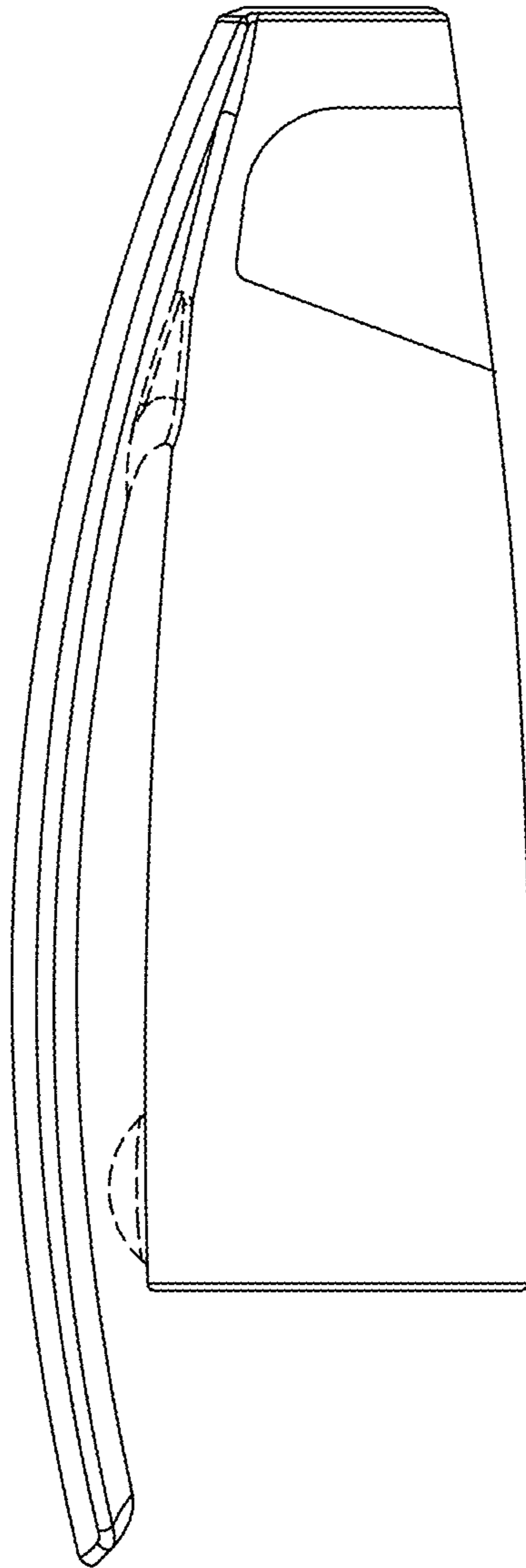


FIG. 5

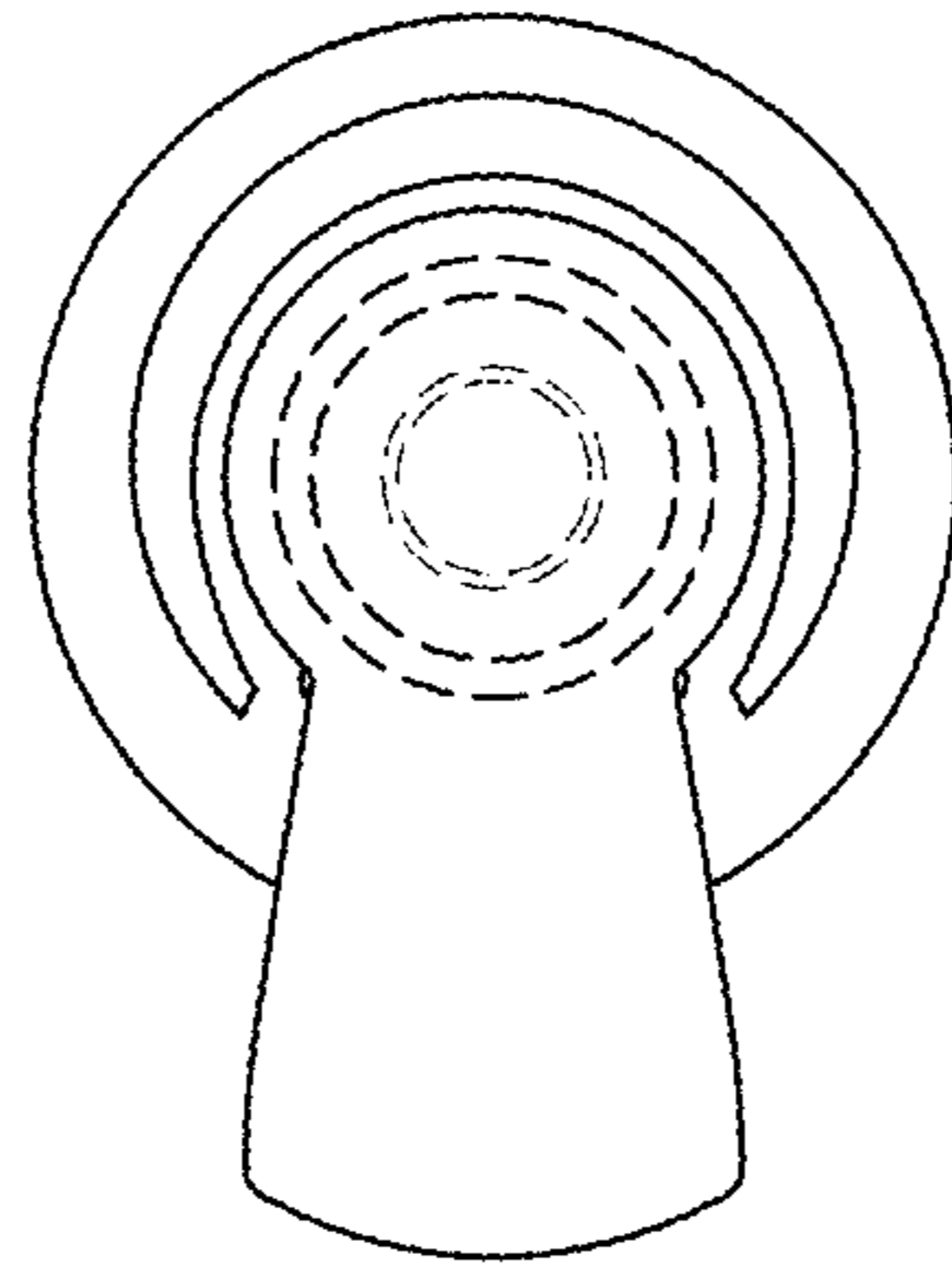


FIG. 6

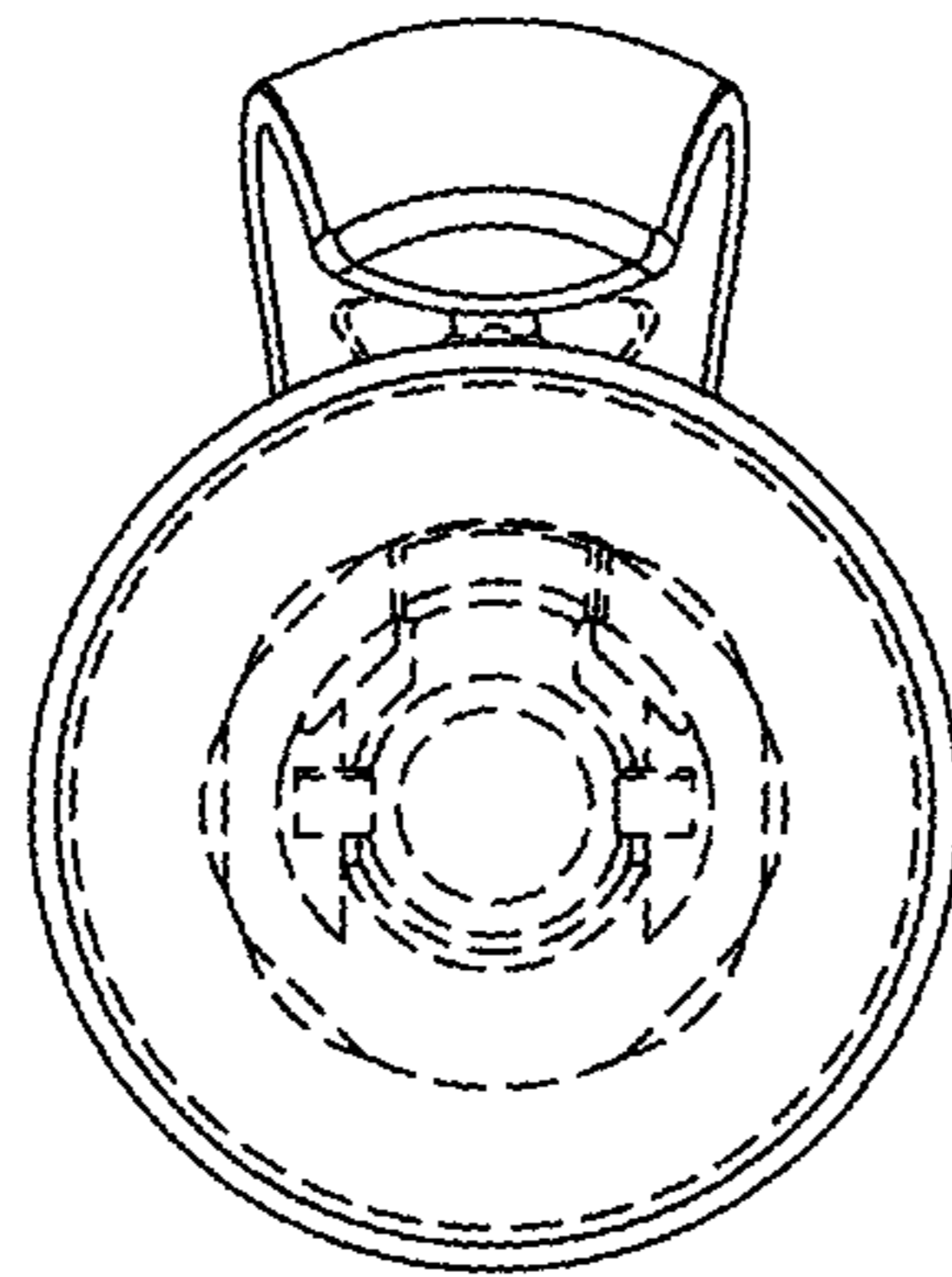


FIG. 7