



US00D740361S

(12) **United States Design Patent**  
**Skelton et al.**

(10) **Patent No.:** **US D740,361 S**  
(45) **Date of Patent:** **\*\* Oct. 6, 2015**

(54) **ENDOSCOPY TRAINING APPARATUS**

(71) Applicant: **Movement Industrial Design Limited,**  
Rathmines (IE)

(72) Inventors: **Eugene Skelton,** Dublin (IE); **Ivo Boskoski,** Latina (IT); **Guido Costamagna,** Rome (IT)

(\*\*) Term: **14 Years**

(21) Appl. No.: **29/481,738**

(22) Filed: **Feb. 10, 2014**

(51) **LOC (10) Cl.** ..... **19-07**

(52) **U.S. Cl.**  
USPC ..... **D19/59**

(58) **Field of Classification Search**  
USPC ..... D24/130, 133, 138, 143, 144, 153, 167;  
606/46; 604/254, 256; 600/101, 132,  
600/185, 188; D19/59-64; 434/262  
See application file for complete search history.

(56) **References Cited**

**U.S. PATENT DOCUMENTS**

5,846,186	A *	12/1998	Upsher	.....	600/185
D645,547	S *	9/2011	Lombardi et al.	.....	D23/262
D699,844	S *	2/2014	Yoshida et al.	.....	D24/138
D706,420	S *	6/2014	Yoshida et al.	.....	D24/138
2005/0008997	A1 *	1/2005	Herman	.....	434/262
2006/0073457	A1 *	4/2006	Cormack et al.	.....	434/262
2006/0235356	A1 *	10/2006	Yamaya	.....	604/256

2012/0082970	A1 *	4/2012	Pravong et al.	.....	434/262
2012/0101498	A1 *	4/2012	Truckai et al.	.....	606/46
2013/0303847	A1 *	11/2013	Sitti et al.	.....	600/104
2013/0317419	A1 *	11/2013	Brannon	.....	604/28
2014/0370474	A1 *	12/2014	Thompson et al.	.....	434/262
2015/0086955	A1 *	3/2015	Poniatowski et al.	.....	434/267

\* cited by examiner

*Primary Examiner* — Garth Rademaker

*Assistant Examiner* — Samantha Q Lawrence

(74) *Attorney, Agent, or Firm* — Mintz Levin Cohn Ferris Glovsky and Popeo, P.C.

(57) **CLAIM**

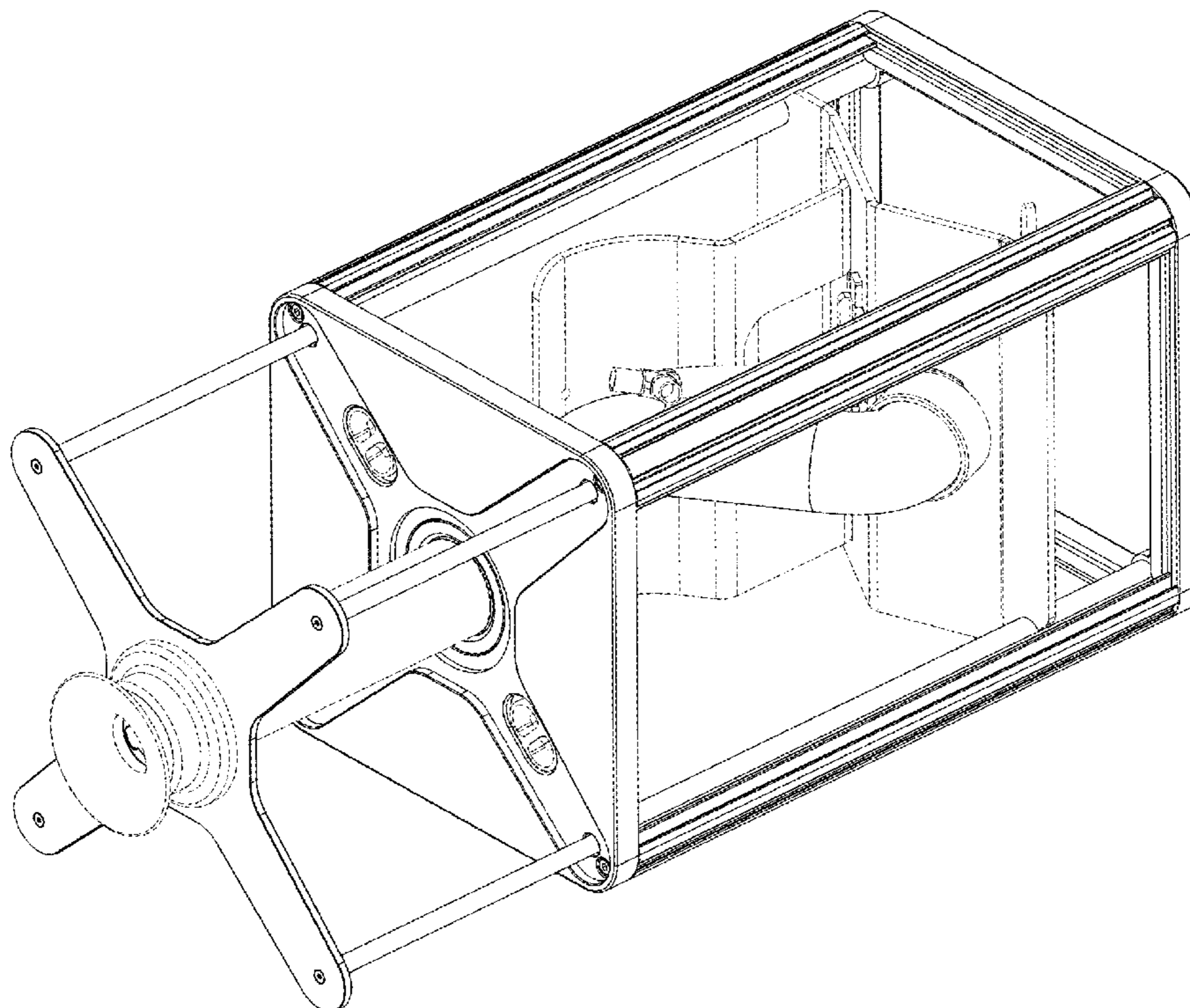
The ornamental design for an endoscopy training apparatus, as shown and described.

**DESCRIPTION**

FIG. 1 is a front, right perspective view of an endoscopy training apparatus;  
FIG. 2 is a front, left perspective view thereof;  
FIG. 3 is a rear, right perspective view thereof;  
FIG. 4 is a rear, left perspective view thereof;  
FIG. 5 is a rear end view thereof;  
FIG. 6 is a left side view thereof; and,  
FIG. 7 is a top view thereof.

The broken lines in FIGS. 1-7 illustrate portions of the endoscopy training apparatus that form no part of the claimed design.

**1 Claim, 7 Drawing Sheets**



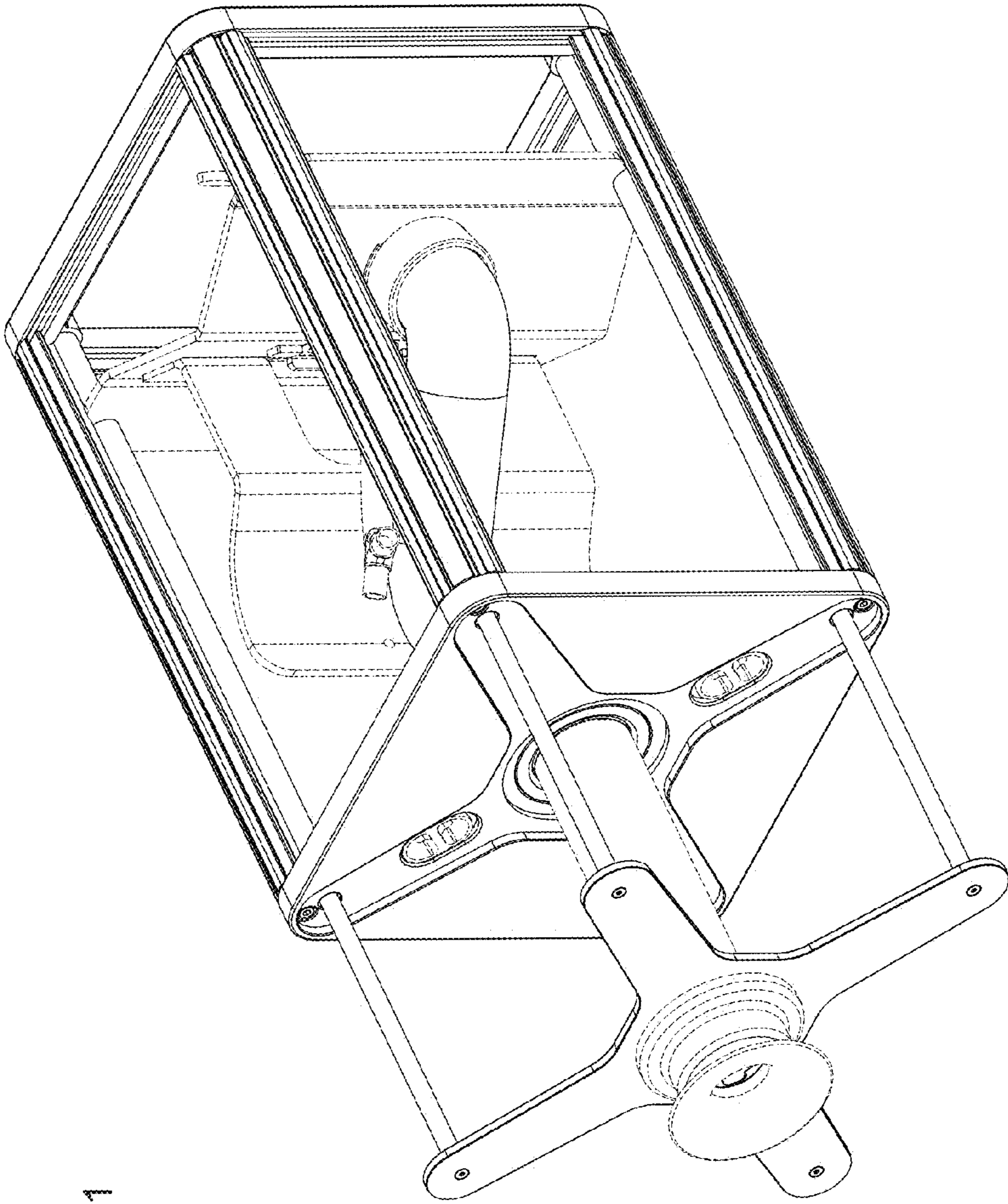
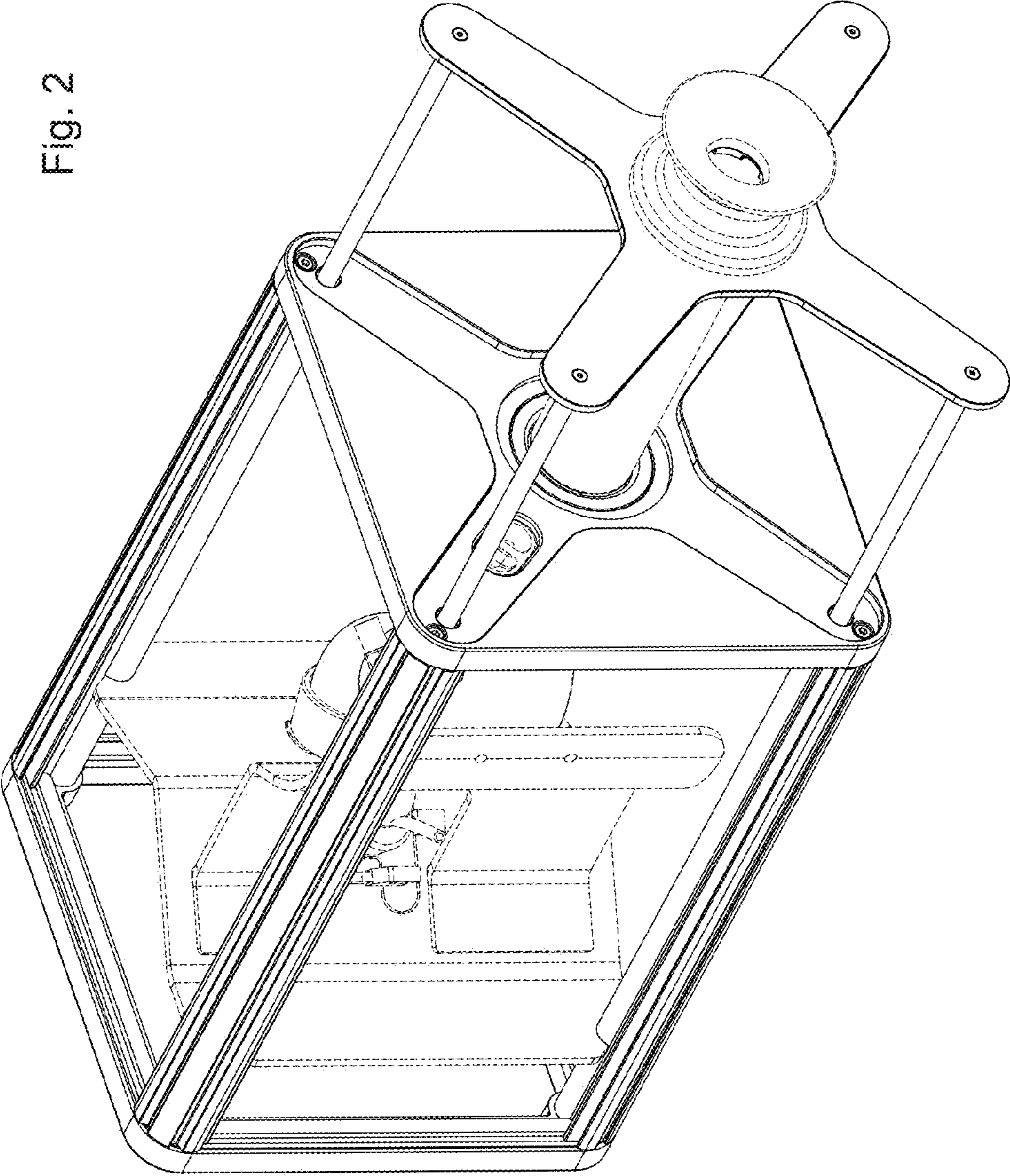


Fig. 1

Fig. 2



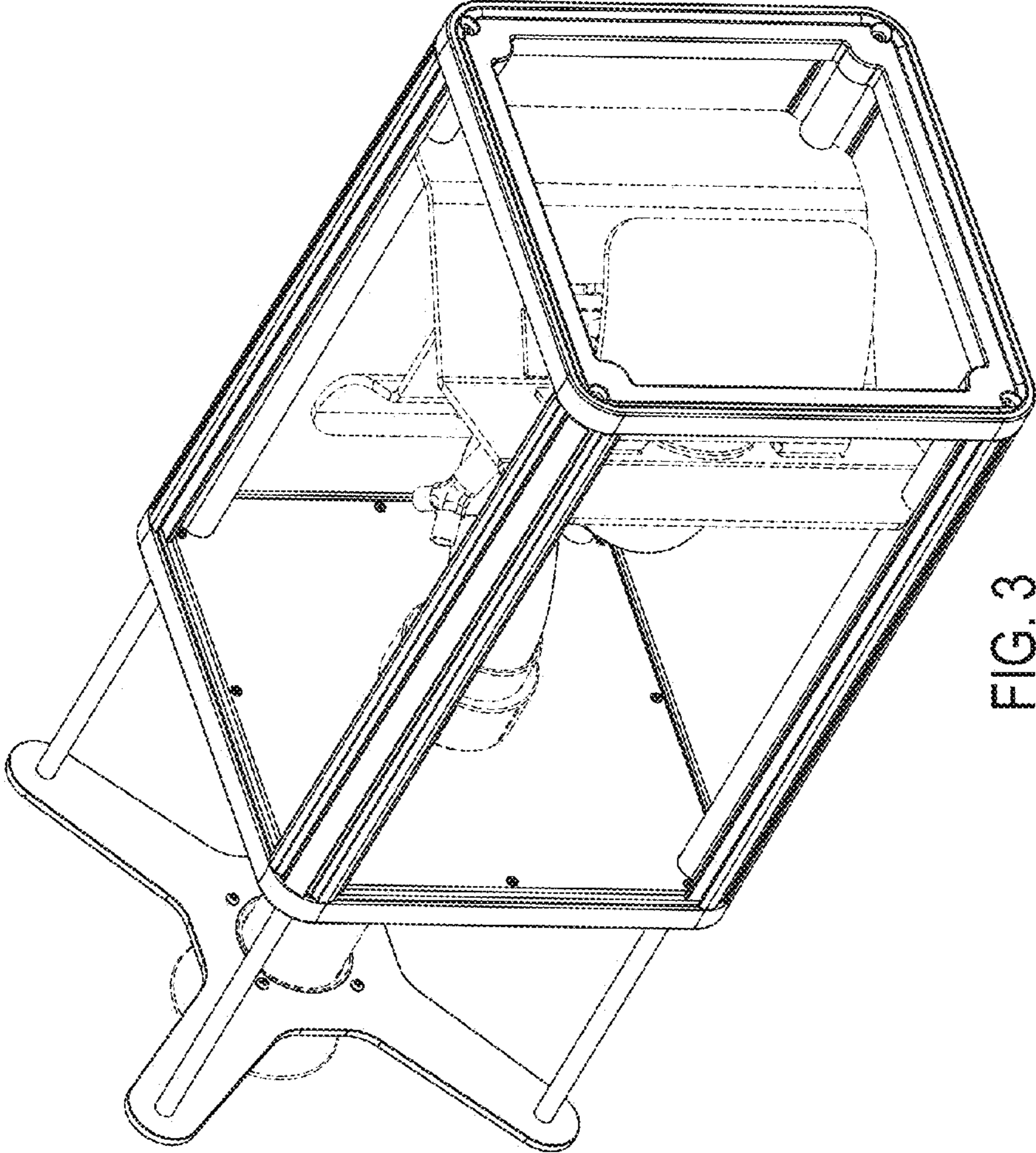


FIG. 3

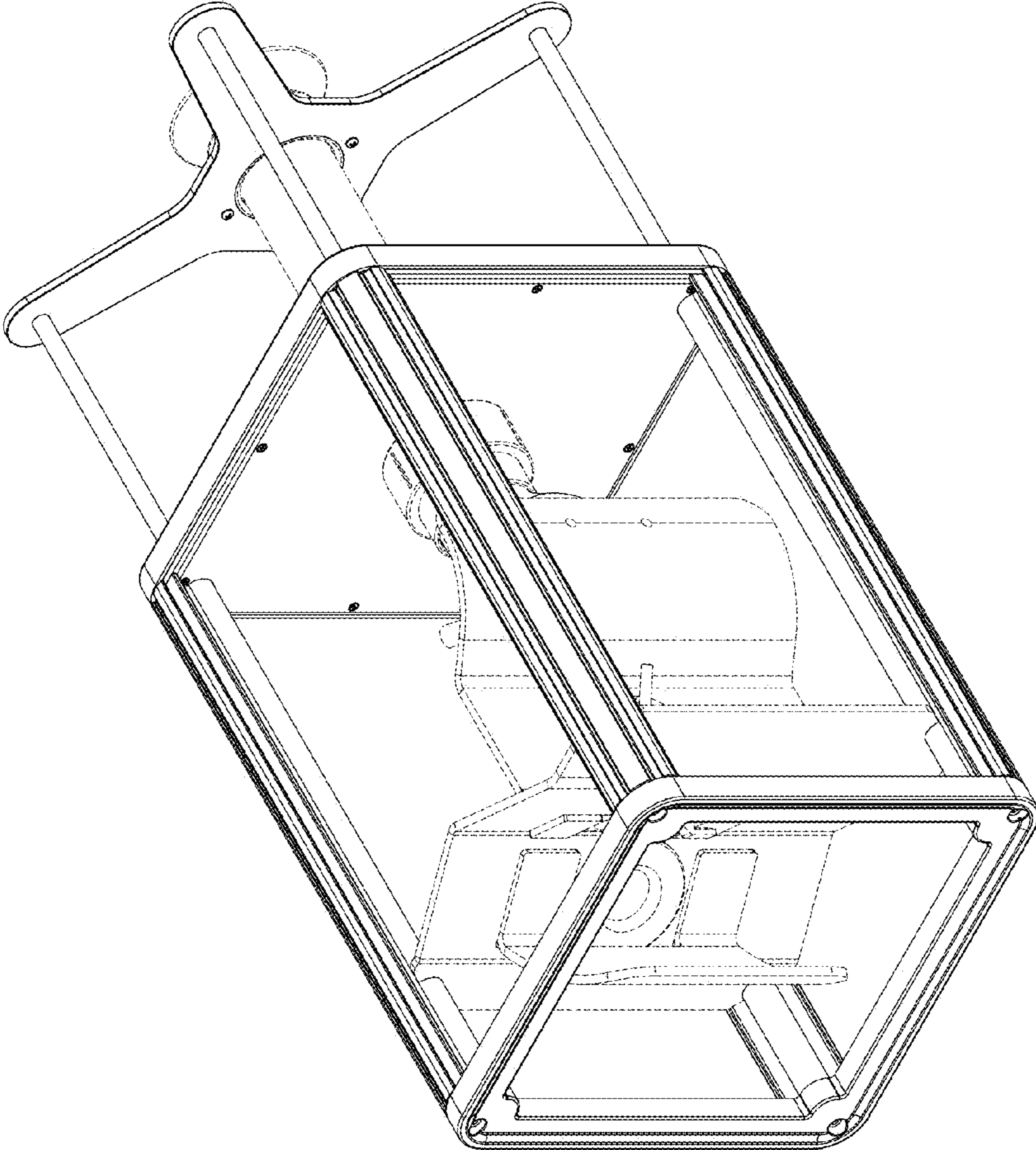


Fig. 4

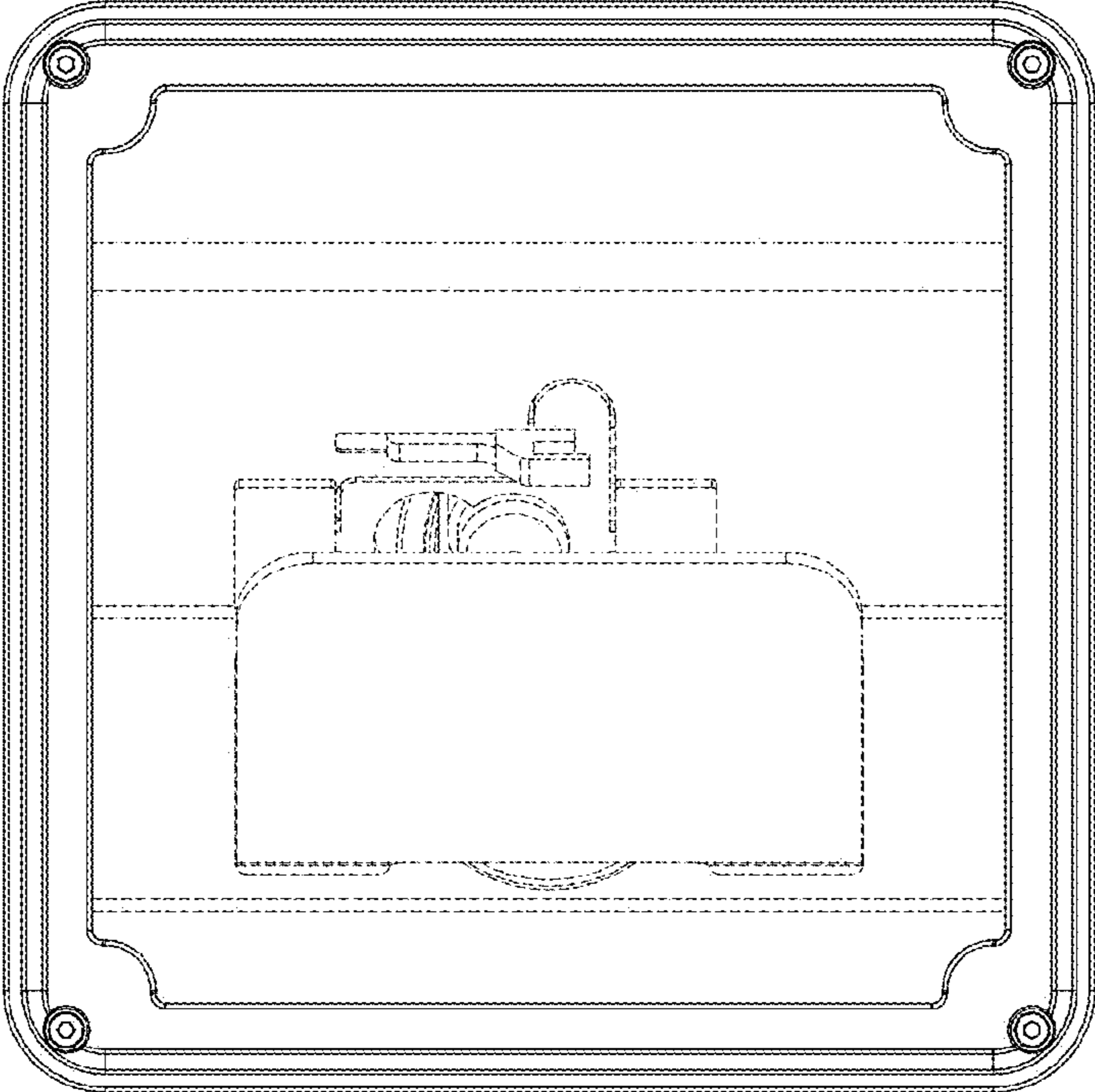


Fig. 5

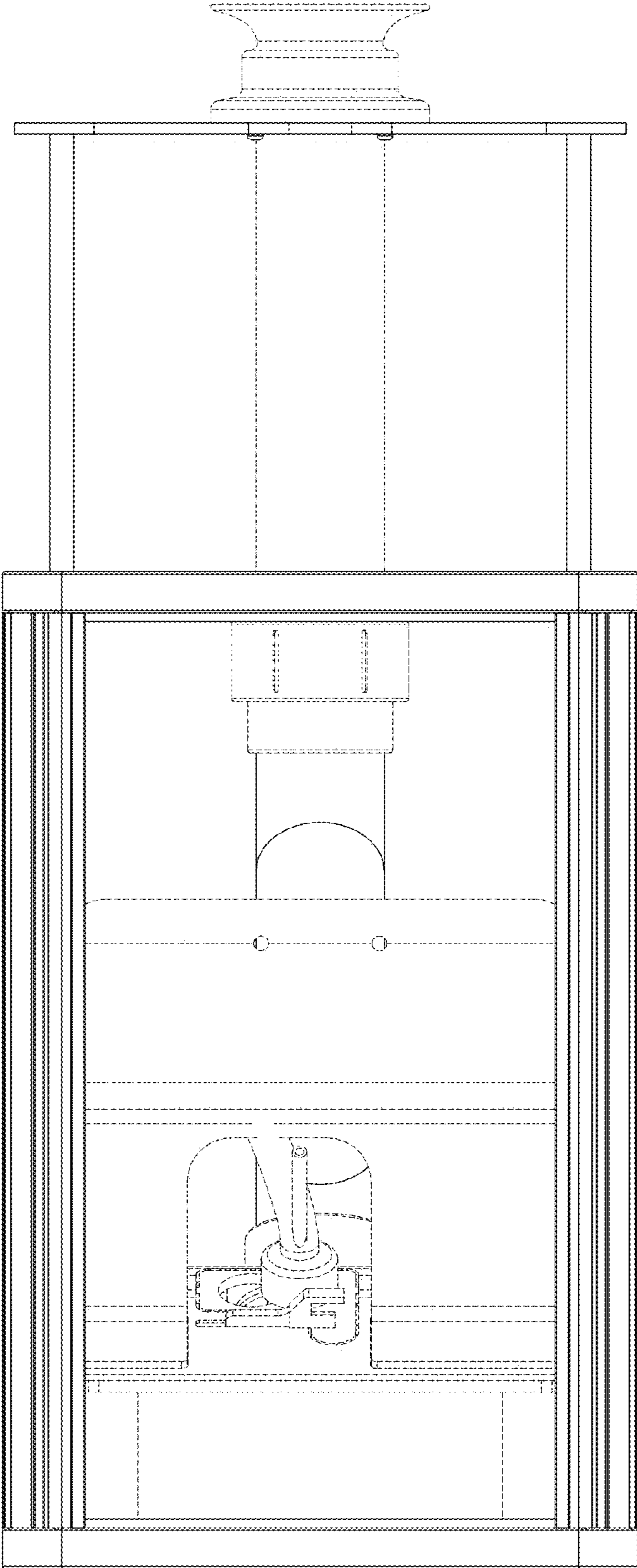


Fig. 6

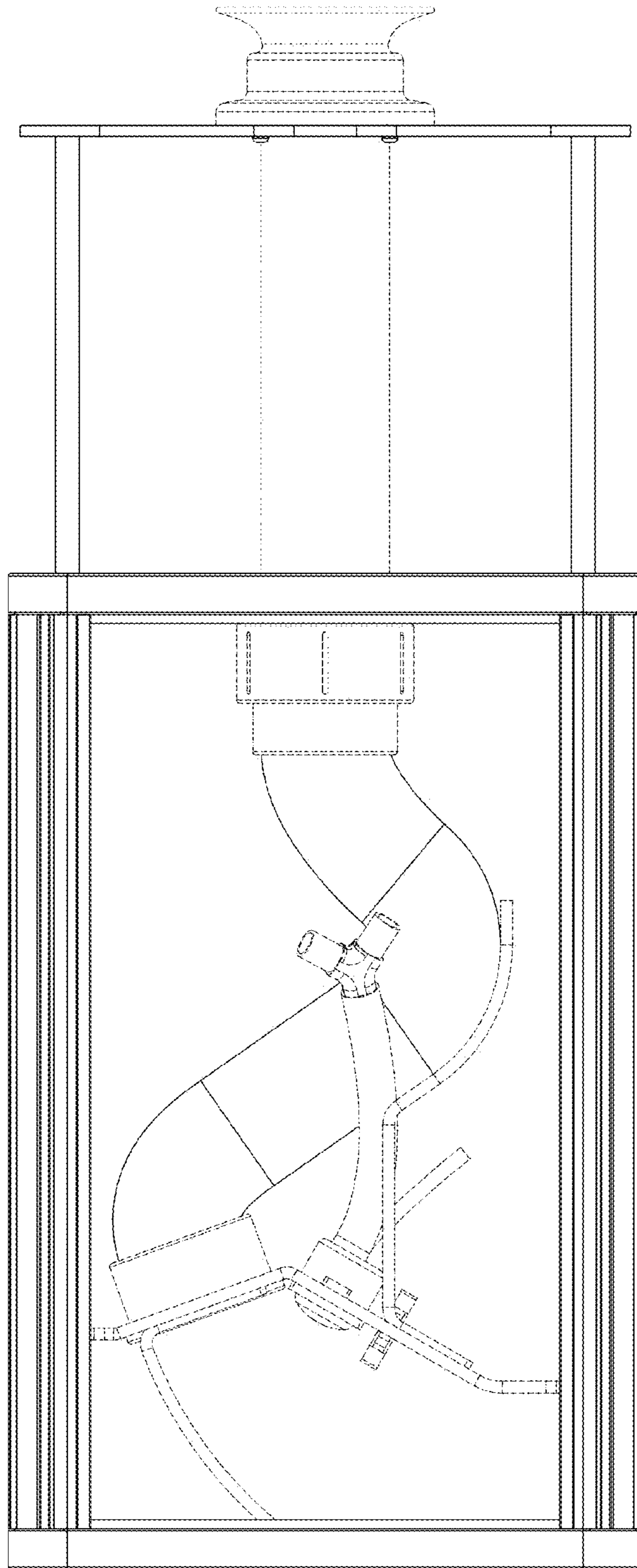


Fig. 7