



US00D740360S

(12) **United States Design Patent**
Chen

(10) **Patent No.:** **US D740,360 S**
(45) **Date of Patent:** **** Oct. 6, 2015**

(54) **WRAP FILM STORAGE BOX**

(56) **References Cited**

(71) Applicant: **YUNG HUNG PRECISION MACHINERY CO., LTD.**, Taichung (TW)

U.S. PATENT DOCUMENTS

D244,822 S *	6/1977	Havely et al.	D7/605
D267,836 S *	2/1983	Benichou	D3/294
D313,817 S *	1/1991	Thomas	D19/75
D325,672 S *	4/1992	Baker	D3/274
D467,731 S *	12/2002	Pratt	D3/294
D630,015 S *	1/2011	Weng et al.	D3/276
D646,057 S *	10/2011	Loaiza	D3/273

(72) Inventor: **Tai-An Chen**, Taichung (TW)

* cited by examiner

(73) Assignee: **YUNG HUNG PRECISION MACHINERY CO., LTD.**, Taichung (TW)

Primary Examiner — Terry Wallace

(**) Term: **14 Years**

(74) *Attorney, Agent, or Firm* — WPAT, P.C.; Anthony King

(21) Appl. No.: **29/482,044**

(57) **CLAIM**

The ornamental design for a wrap film storage box, as shown and described.

(22) Filed: **Feb. 13, 2014**

DESCRIPTION

(51) **LOC (10) Cl.** **18-99**

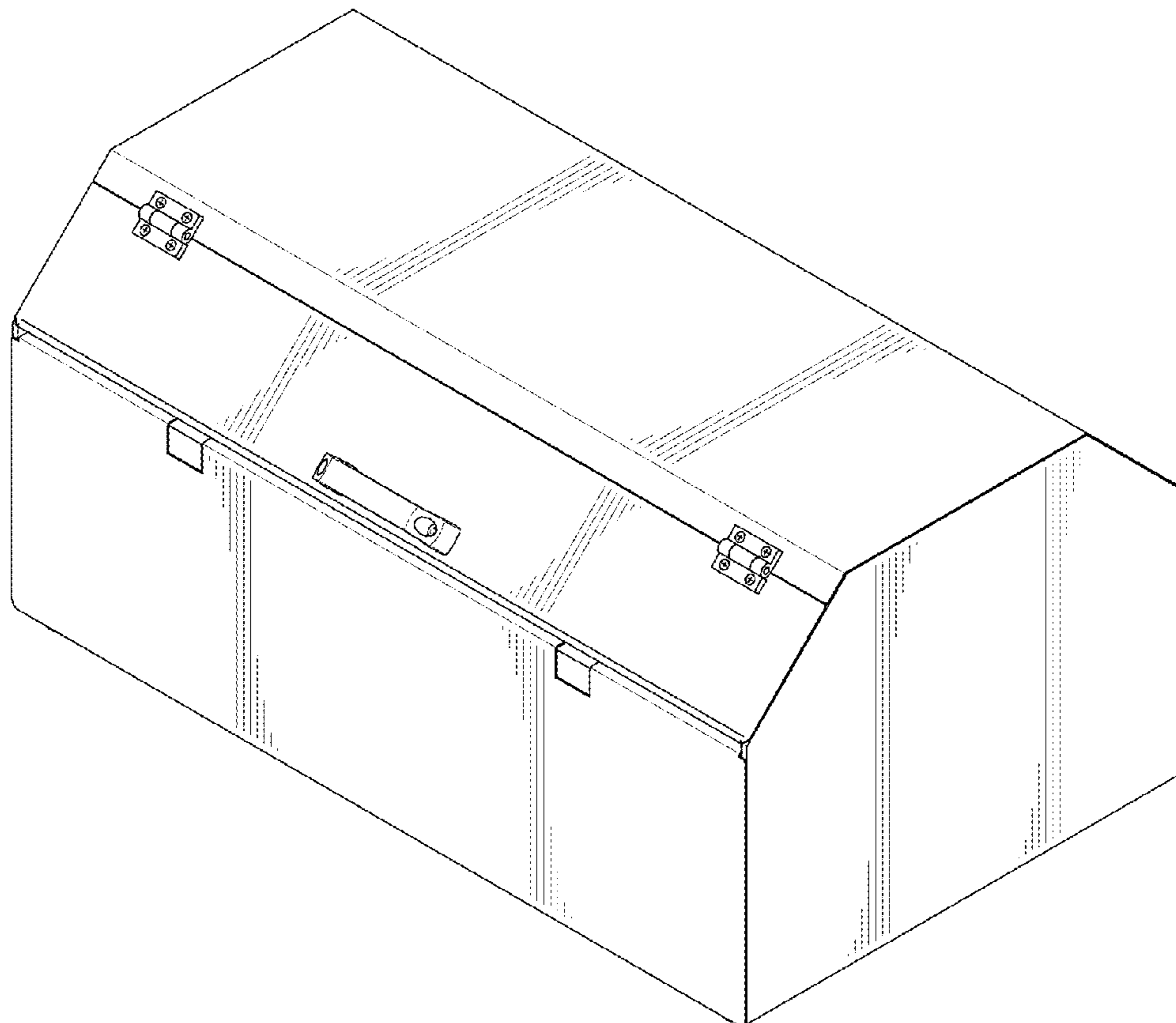
(52) **U.S. Cl.**
USPC **D18/99**; D3/294

(58) **Field of Classification Search**
USPC D18/99; D19/75, 86, 90, 100; D3/200, D3/201, 203.1, 206, 272, 273, 274, 276, D3/294; D6/512; 190/19; 206/736, 216, 206/314, 315.1, 317, 389, 410, 446, 484, 206/497, 527

FIG. 1 is a perspective view of a wrap film storage box showing my new design;
FIG. 2 is a front view thereof;
FIG. 3 is a rear view thereof;
FIG. 4 is a left side view thereof;
FIG. 6 is a top view thereof;
FIG. 7 is a bottom view thereof; and,
FIG. 8 is another perspective view thereof.

See application file for complete search history.

1 Claim, 8 Drawing Sheets



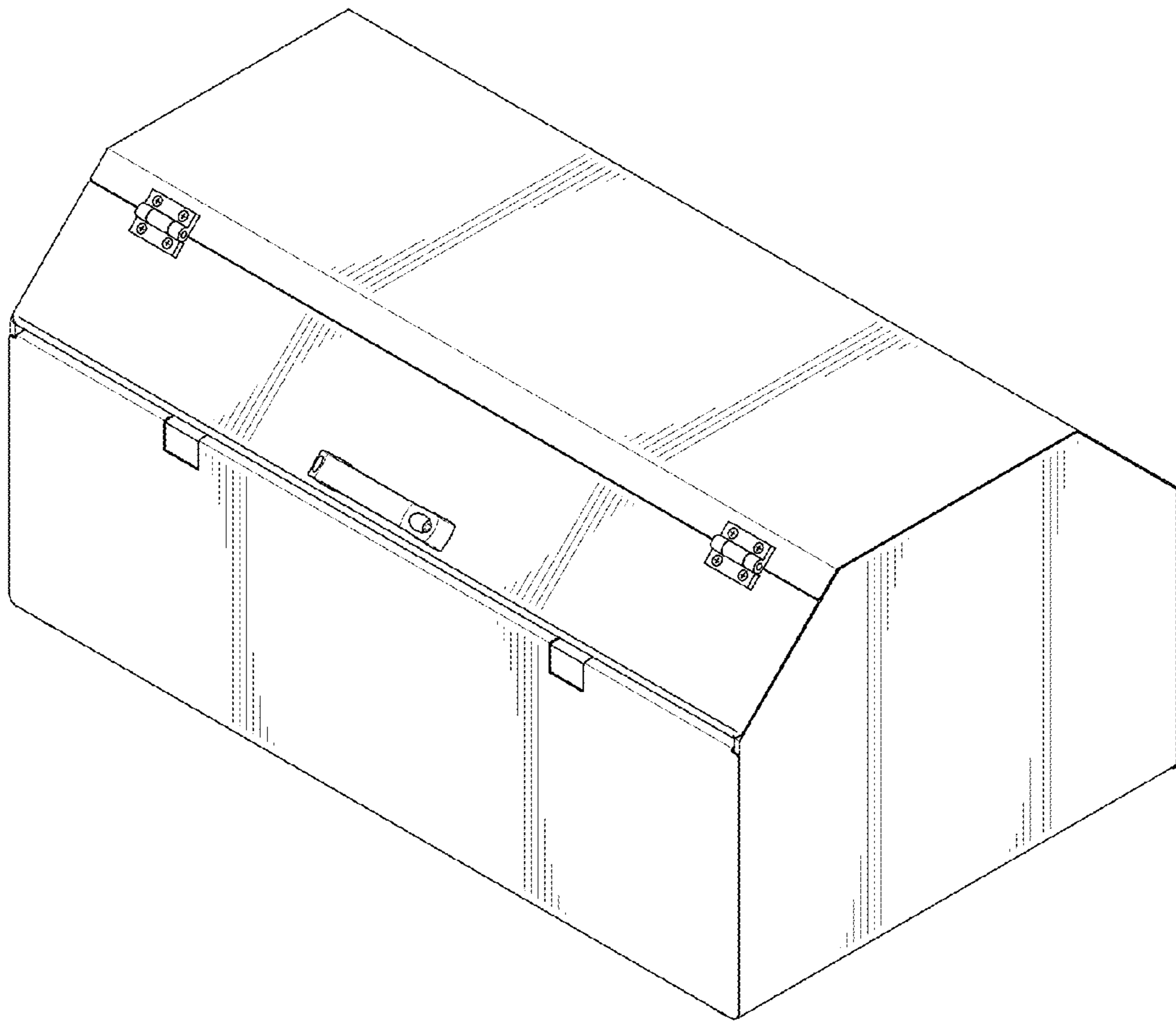


FIG.1

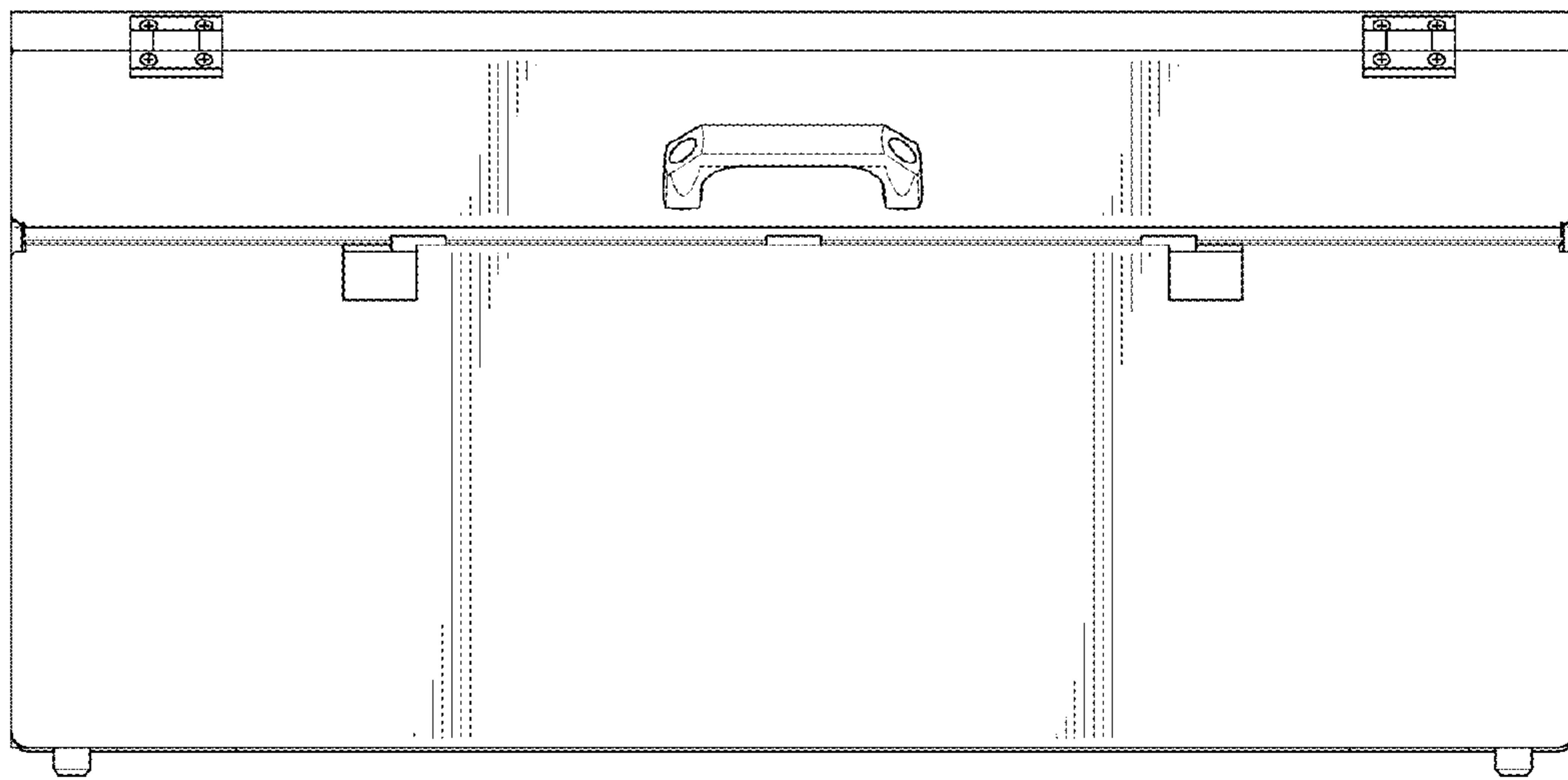


FIG.2

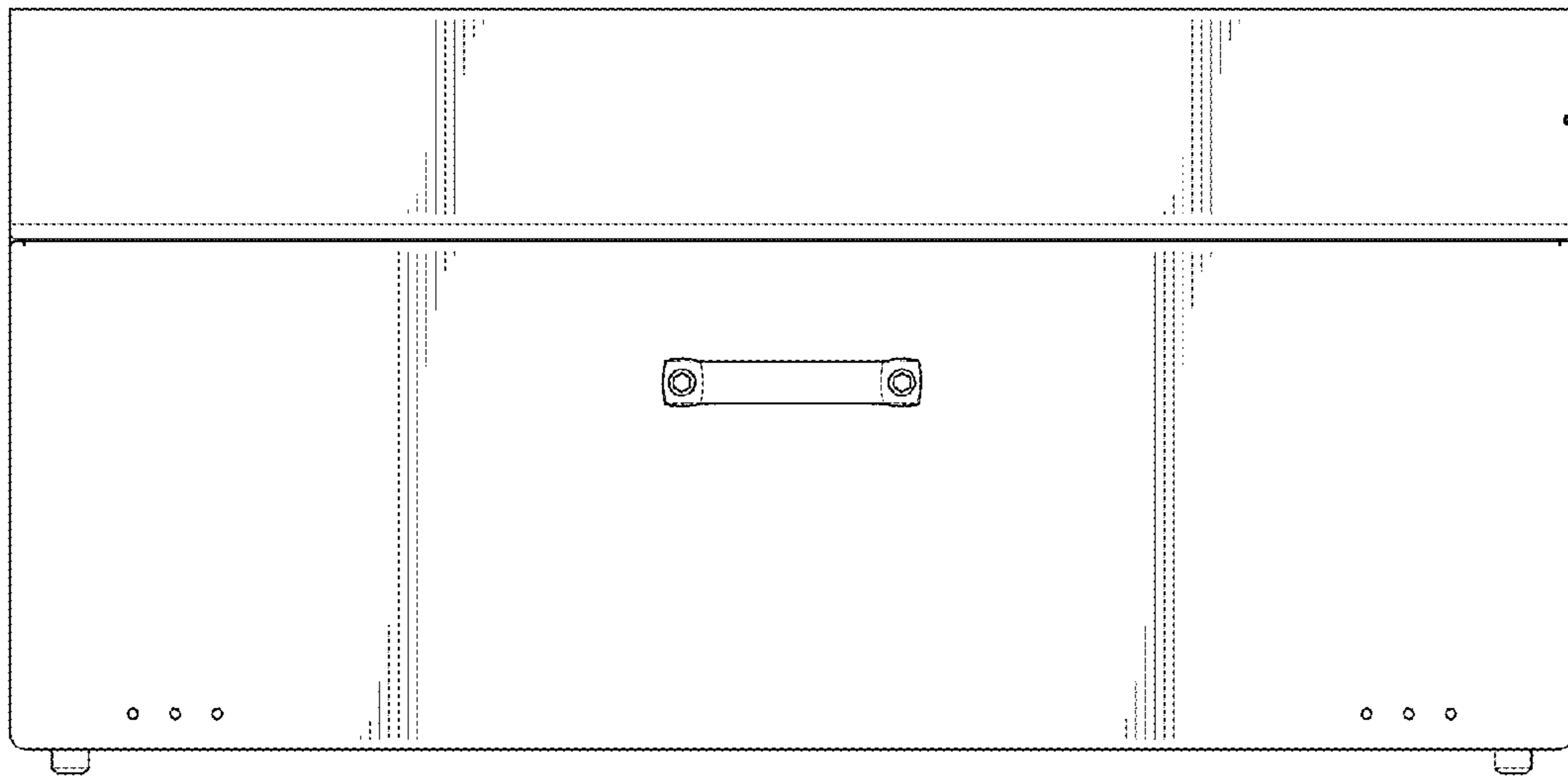


FIG.3

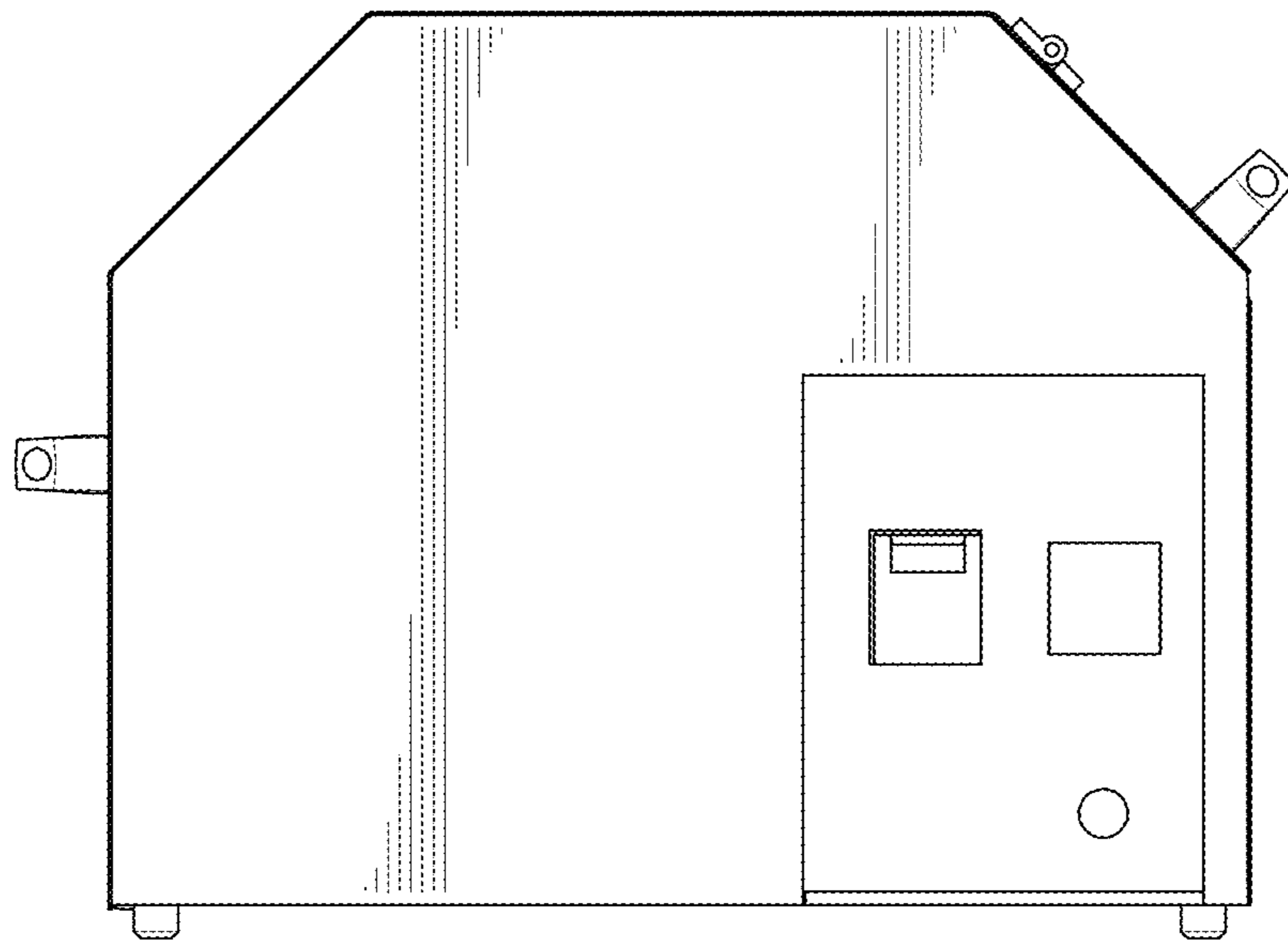


FIG.4

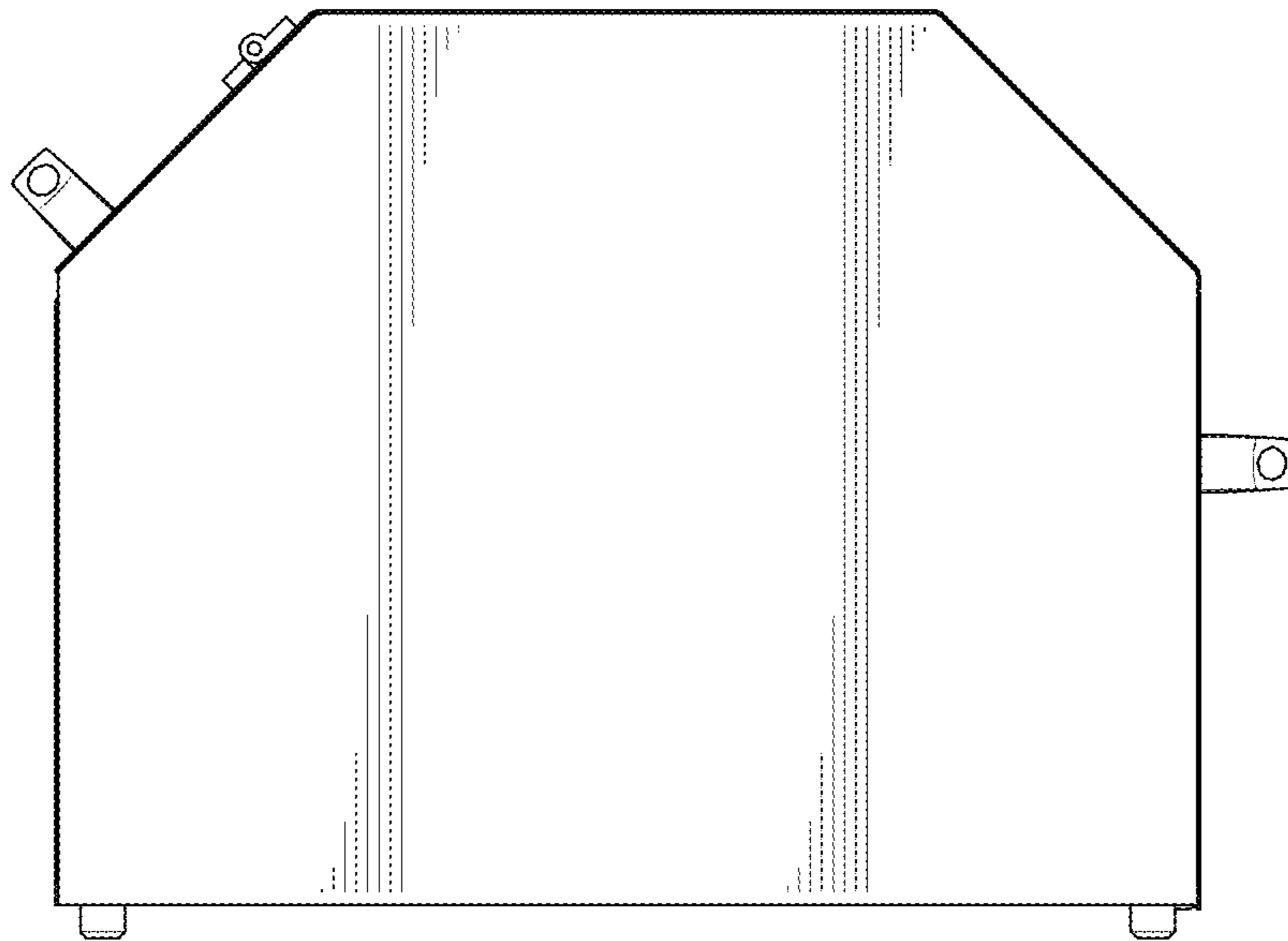


FIG.5

6/8

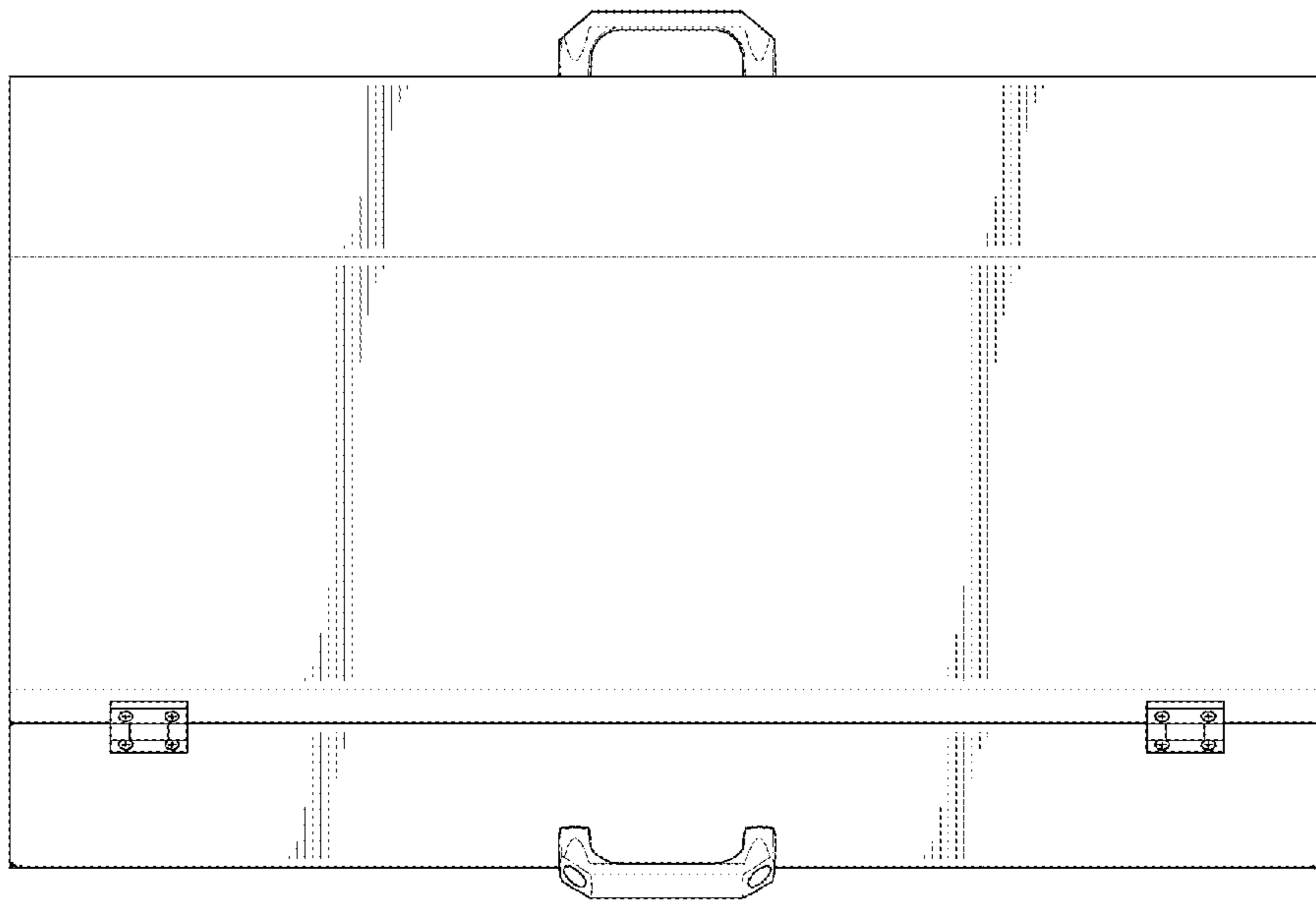


FIG.6

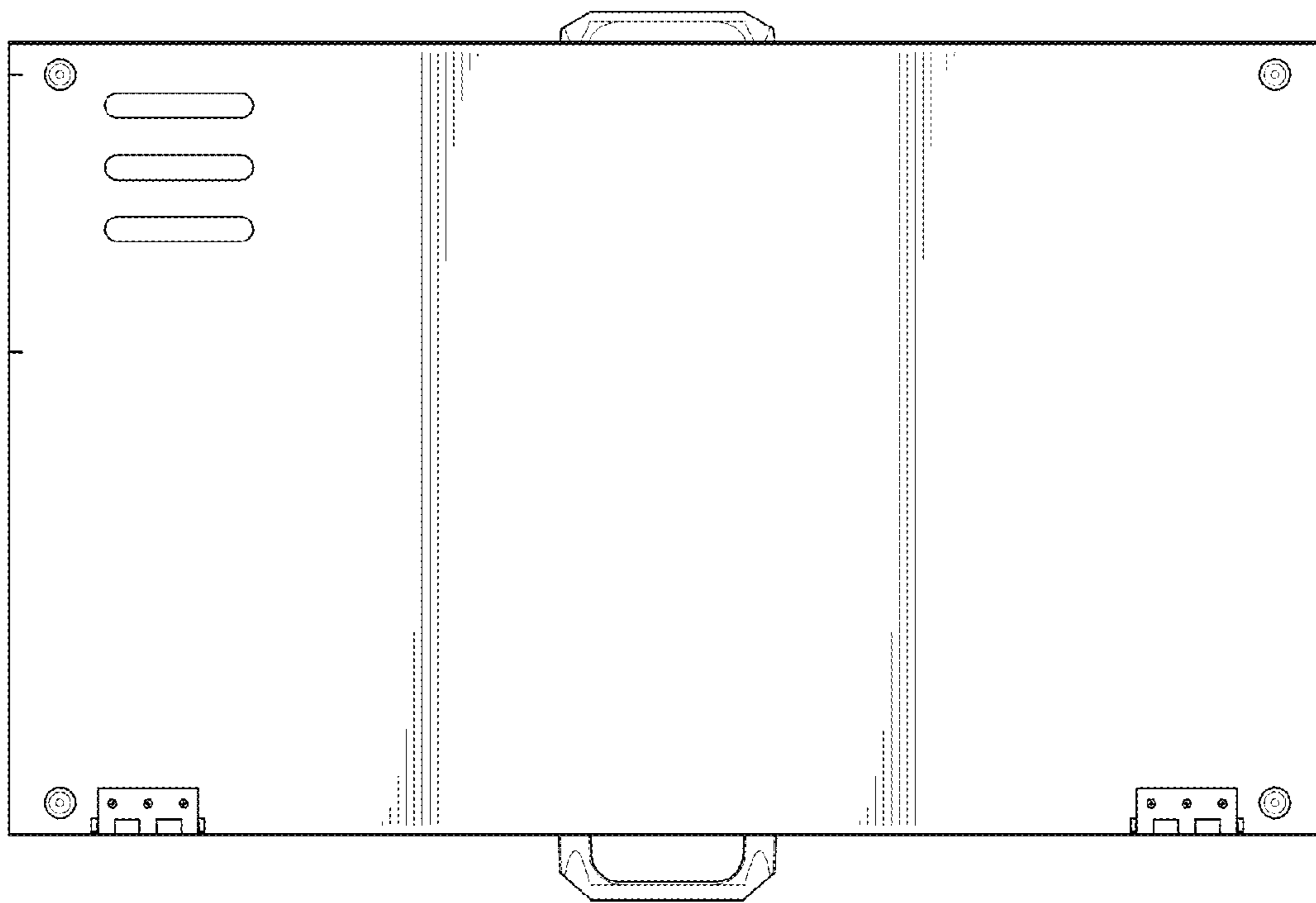


FIG.7

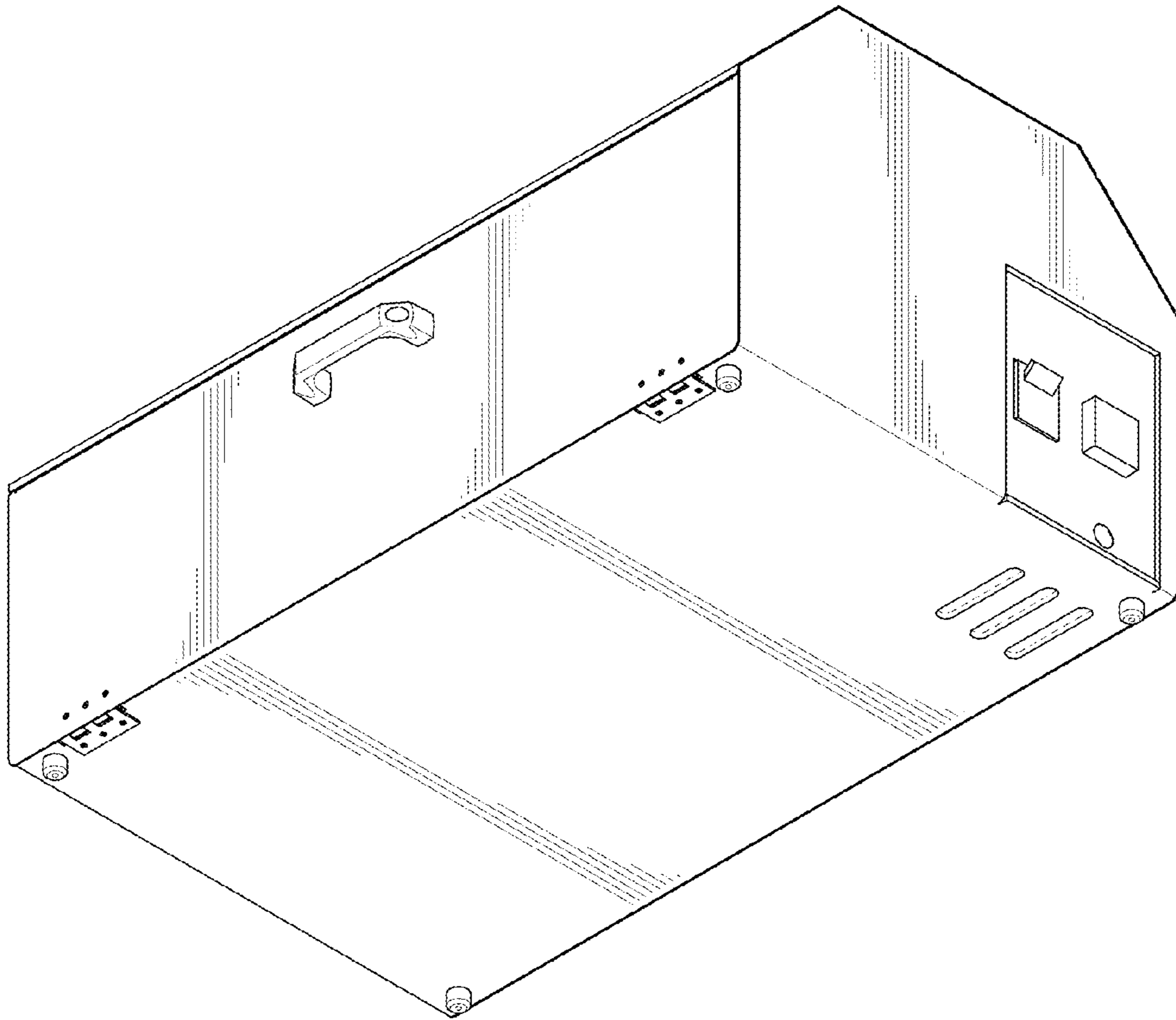


FIG.8