



US00D740357S

(12) **United States Design Patent**
Arasawa et al.

(10) **Patent No.:** **US D740,357 S**

(45) **Date of Patent:** **** Oct. 6, 2015**

(54) **POWDER CONTAINER**

(71) Applicants: **Shinichi Arasawa**, Ohta-ku (JP); **Kohta Sakaya**, Ohta-ku (JP); **Seong Ryeol Pyo**, Seongdong-gu (KR); **Kyo Sik Woo**, Seongdong-gu (KR)

(72) Inventors: **Shinichi Arasawa**, Ohta-ku (JP); **Kohta Sakaya**, Ohta-ku (JP); **Seong Ryeol Pyo**, Seongdong-gu (KR); **Kyo Sik Woo**, Seongdong-gu (KR)

(73) Assignee: **RICOH COMPANY, LTD.**, Tokyo (JP)

(**) Term: **14 Years**

(21) Appl. No.: **29/484,330**

(22) Filed: **Mar. 7, 2014**

(30) **Foreign Application Priority Data**

Sep. 11, 2013 (JP) 2013-020984

(51) **LOC (10) Cl.** **16-03**

(52) **U.S. Cl.**
USPC **D18/43**

(58) **Field of Classification Search**
USPC D14/12, 36, 40, 43, 44, 56, 471;
D18/12, 36, 40, 43, 44, 56; 347/197,
347/222; 222/DIG. 1; 399/24-28, 107-112,
399/119, 121, 122, 222-224
CPC H04N 2201/0091; B41J 2/17503;
B41J 2/17559

See application file for complete search history.

(56) **References Cited**

U.S. PATENT DOCUMENTS

6,336,384	B1 *	1/2002	Huang	81/165
D722,336	S *	2/2015	Suzuki	D18/43
D722,337	S *	2/2015	Torimoto et al.	D18/43
D723,613	S *	3/2015	Shimizu	D18/43
D723,614	S *	3/2015	Shimizu et al.	D18/43
D724,655	S *	3/2015	Kubota et al.	D18/43
2012/0018605	A1 *	1/2012	Lacarra	248/224.8
2014/0246931	A1 *	9/2014	Chamberlin	310/54
2014/0259432	A1 *	9/2014	Gowda et al.	5/713
2015/0012012	A1 *	1/2015	Wesley et al.	606/133
2015/0012013	A1 *	1/2015	Wesley et al.	606/133
2015/0059950	A1 *	3/2015	Hinque	152/450

* cited by examiner

Primary Examiner — Michael A Pratt

(74) *Attorney, Agent, or Firm* — Oblon, McClelland, Maier & Neustadt, L.L.P.

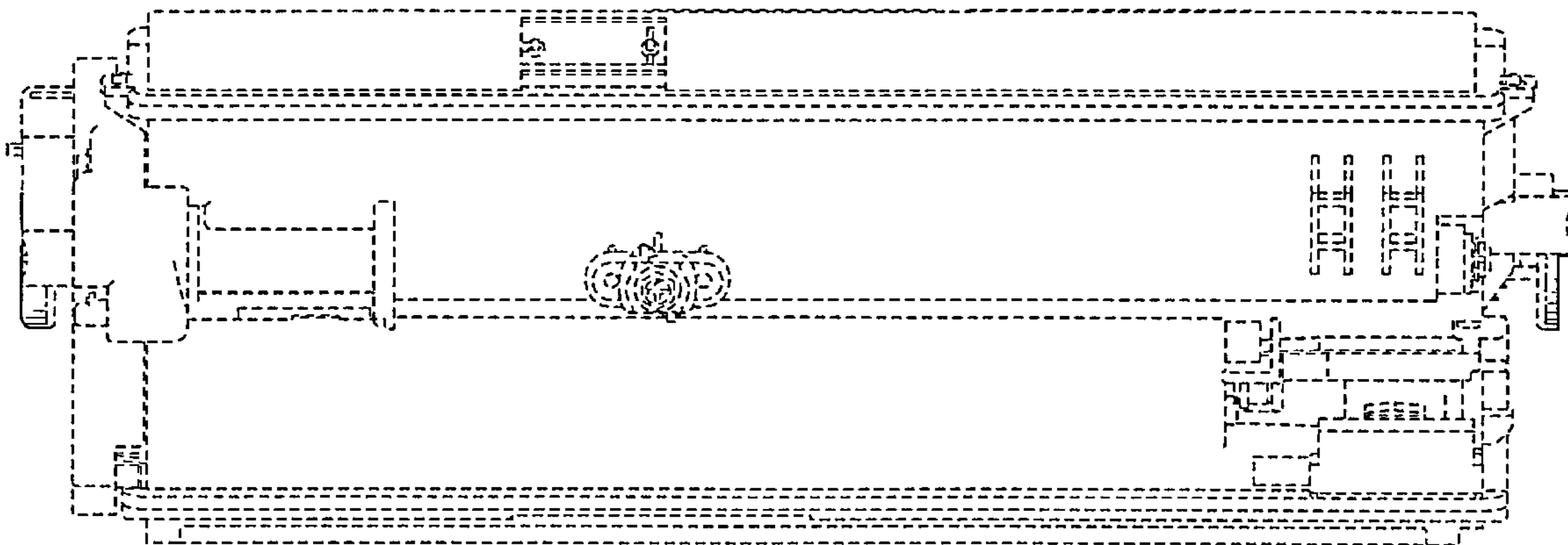
(57) **CLAIM**

The ornamental design for a powder container, as shown and described.

DESCRIPTION

FIG. 1 is a front elevational view of a powder container; FIG. 2 is a rear elevational view thereof; FIG. 3 is a left side elevational view thereof; FIG. 4 is a right side elevational view thereof; FIG. 5 is a top plan view thereof; FIG. 6 is a bottom plan view thereof; FIG. 7 is a front, top, and right side perspective view thereof; and, FIG. 8 is a rear, top, and left side perspective view thereof. The broken lines in the drawings depict environmental subject matter only and form no part of the claimed design.

1 Claim, 7 Drawing Sheets



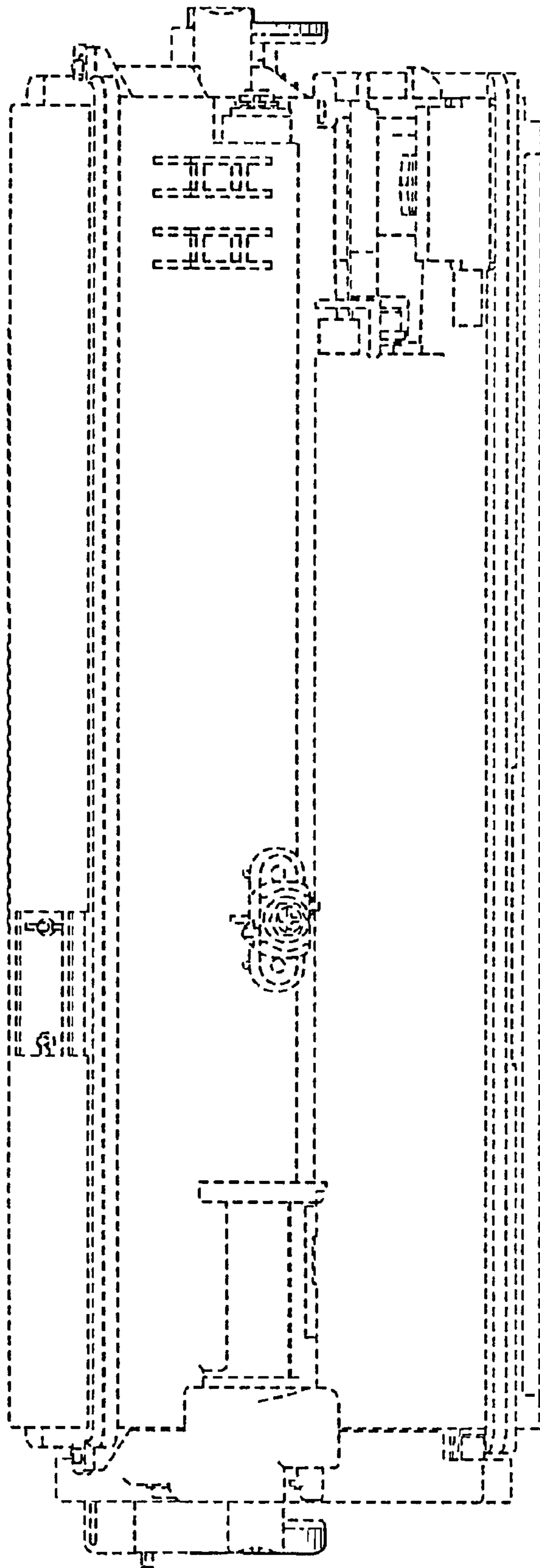


Fig. 1

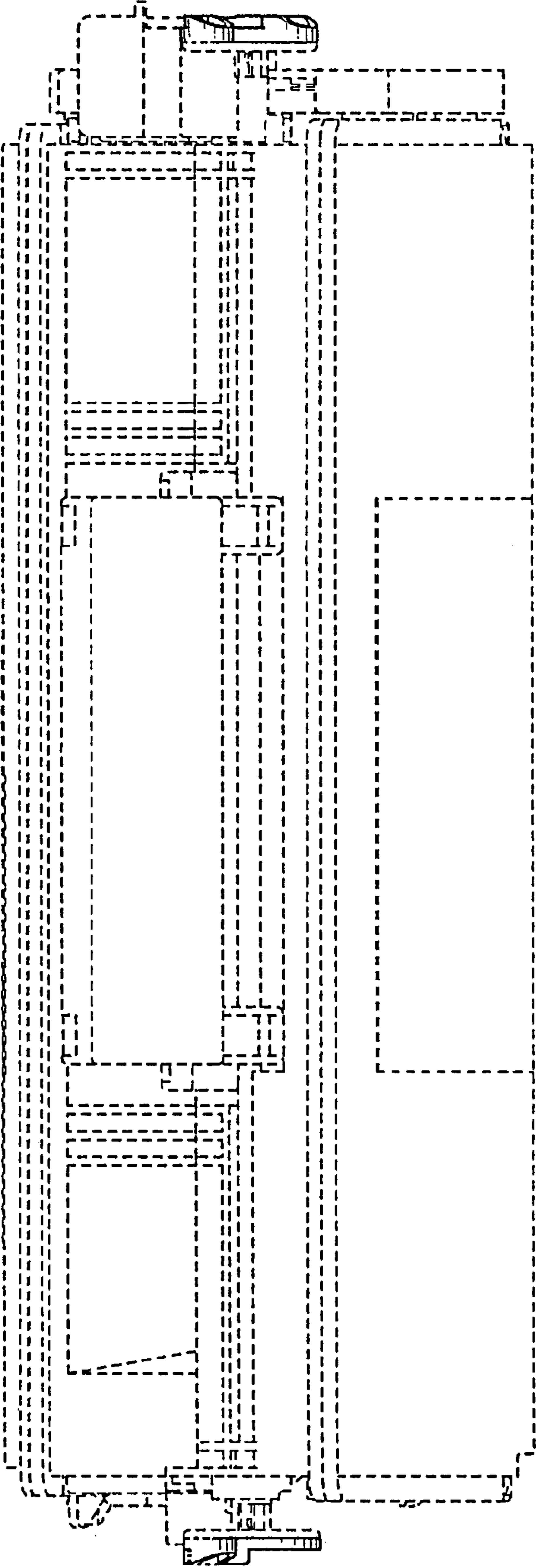


Fig. 2

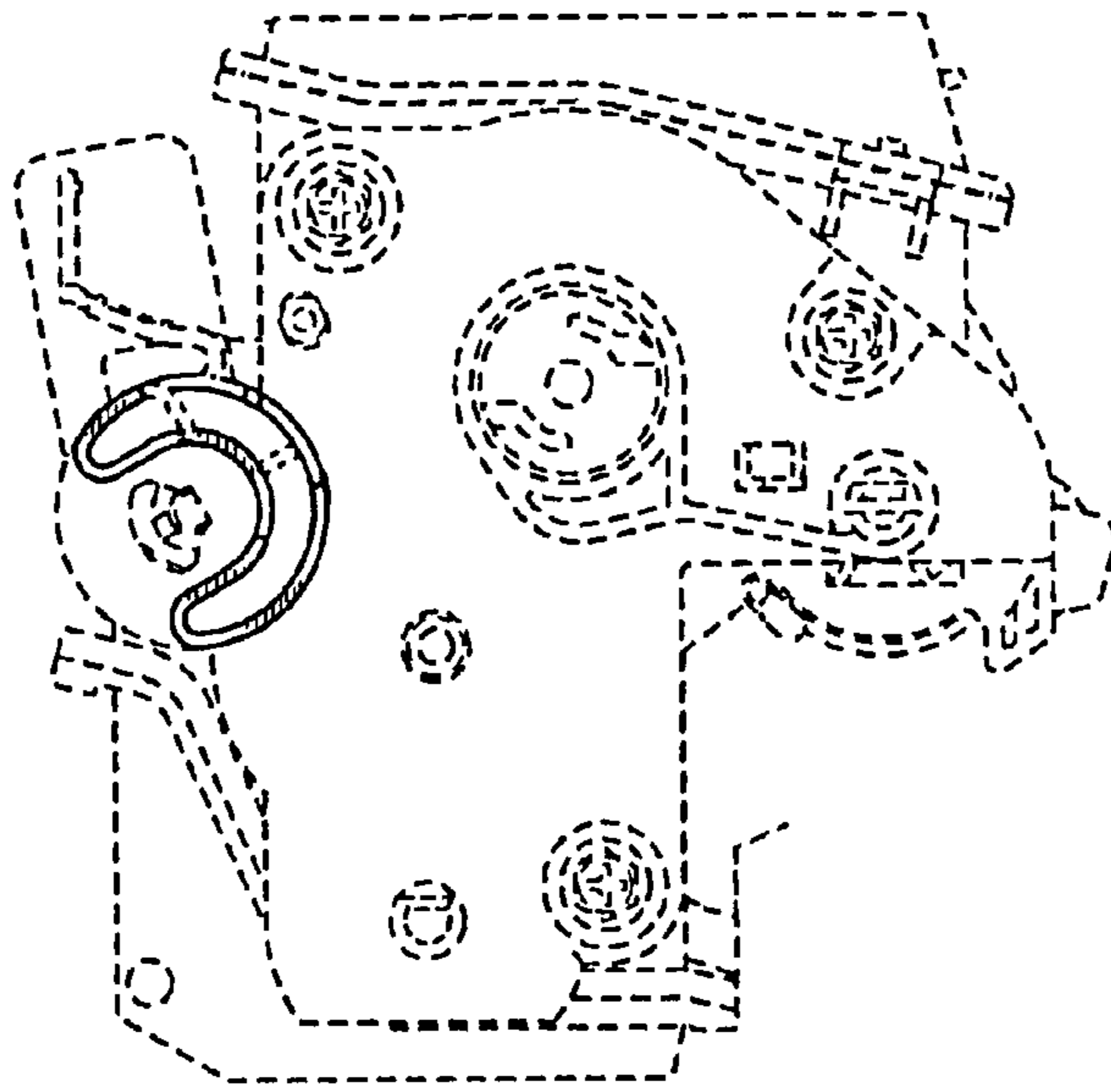


Fig. 3

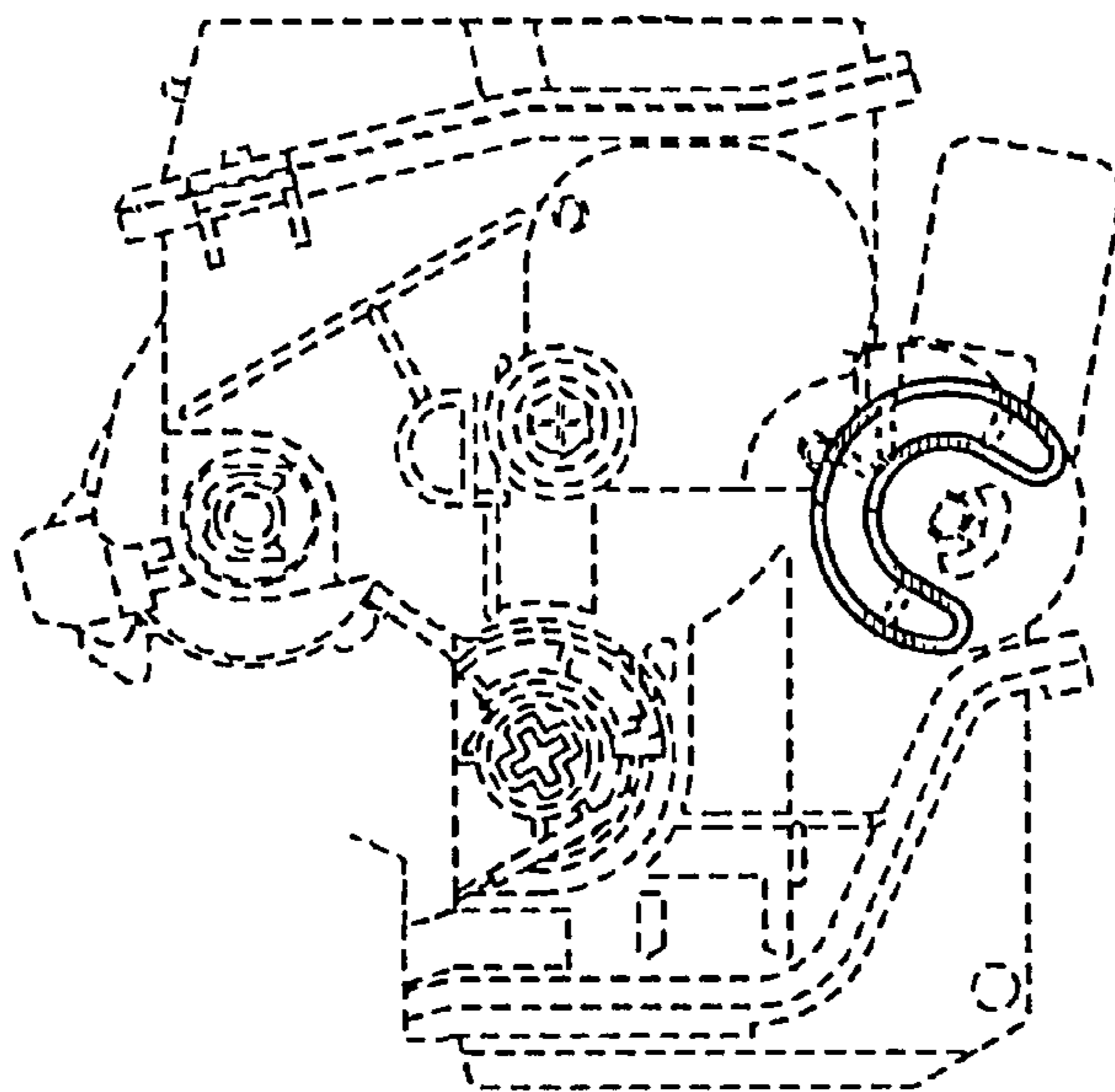


Fig. 4

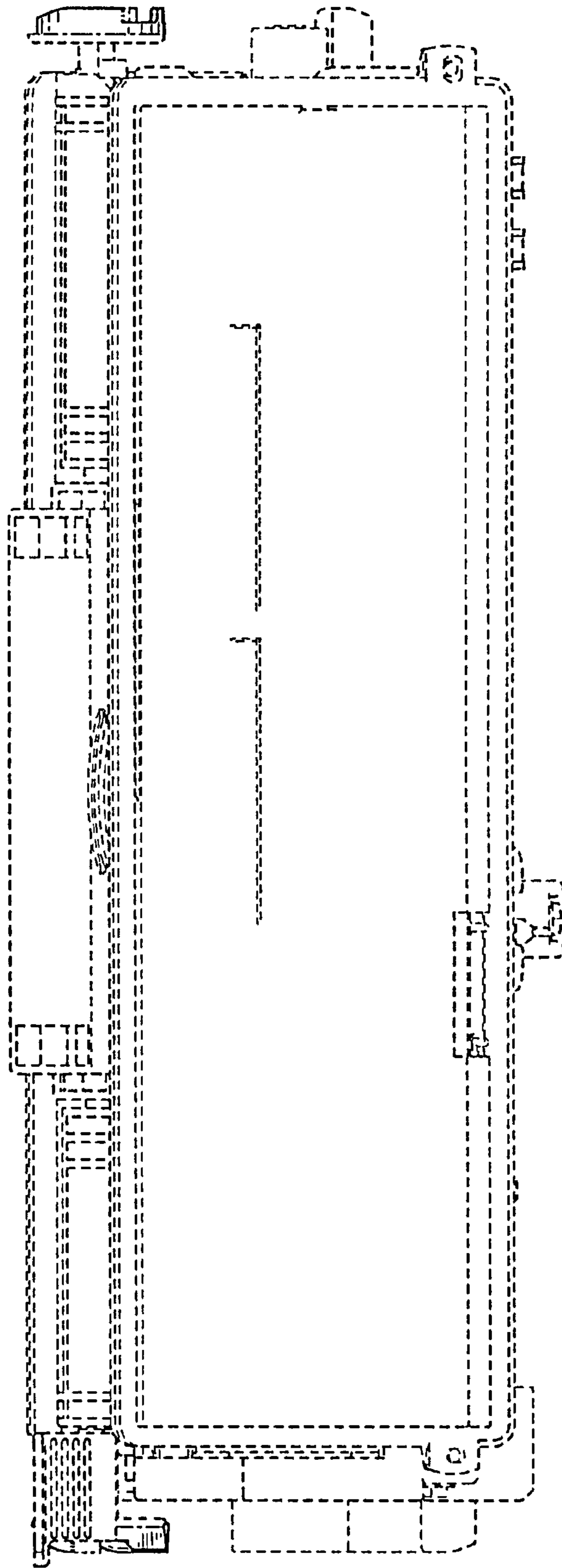


Fig. 5

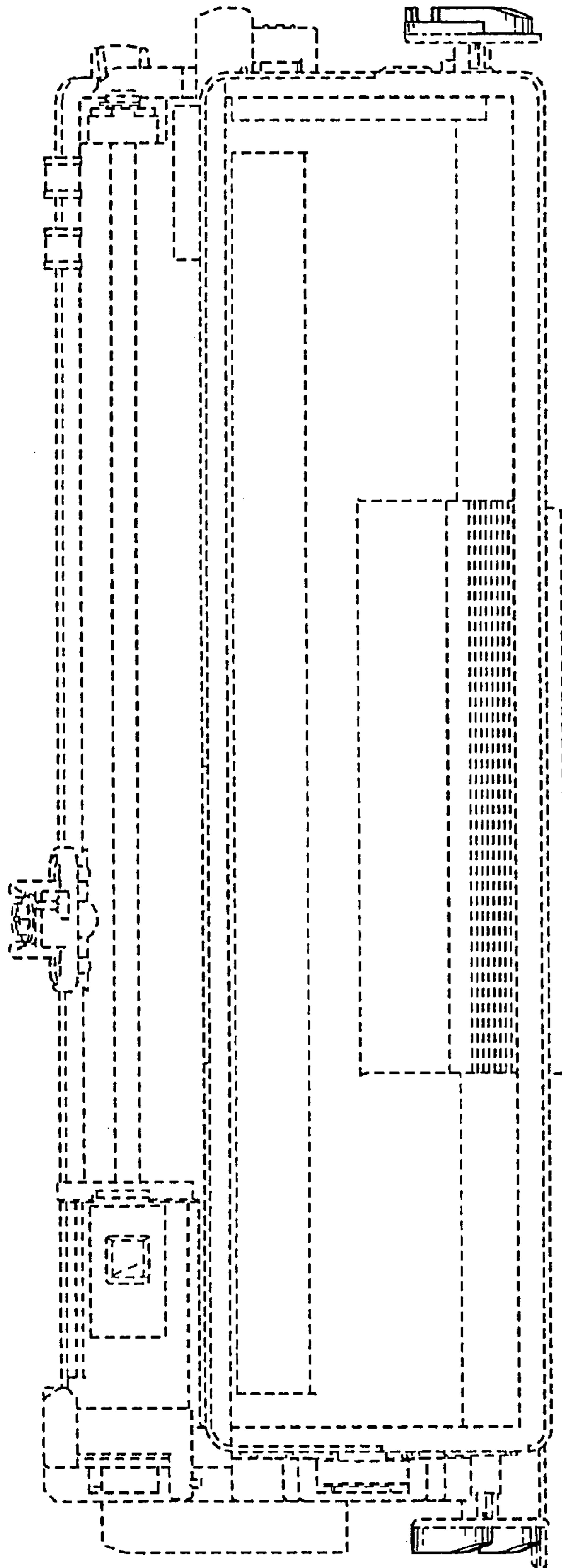


Fig. 6

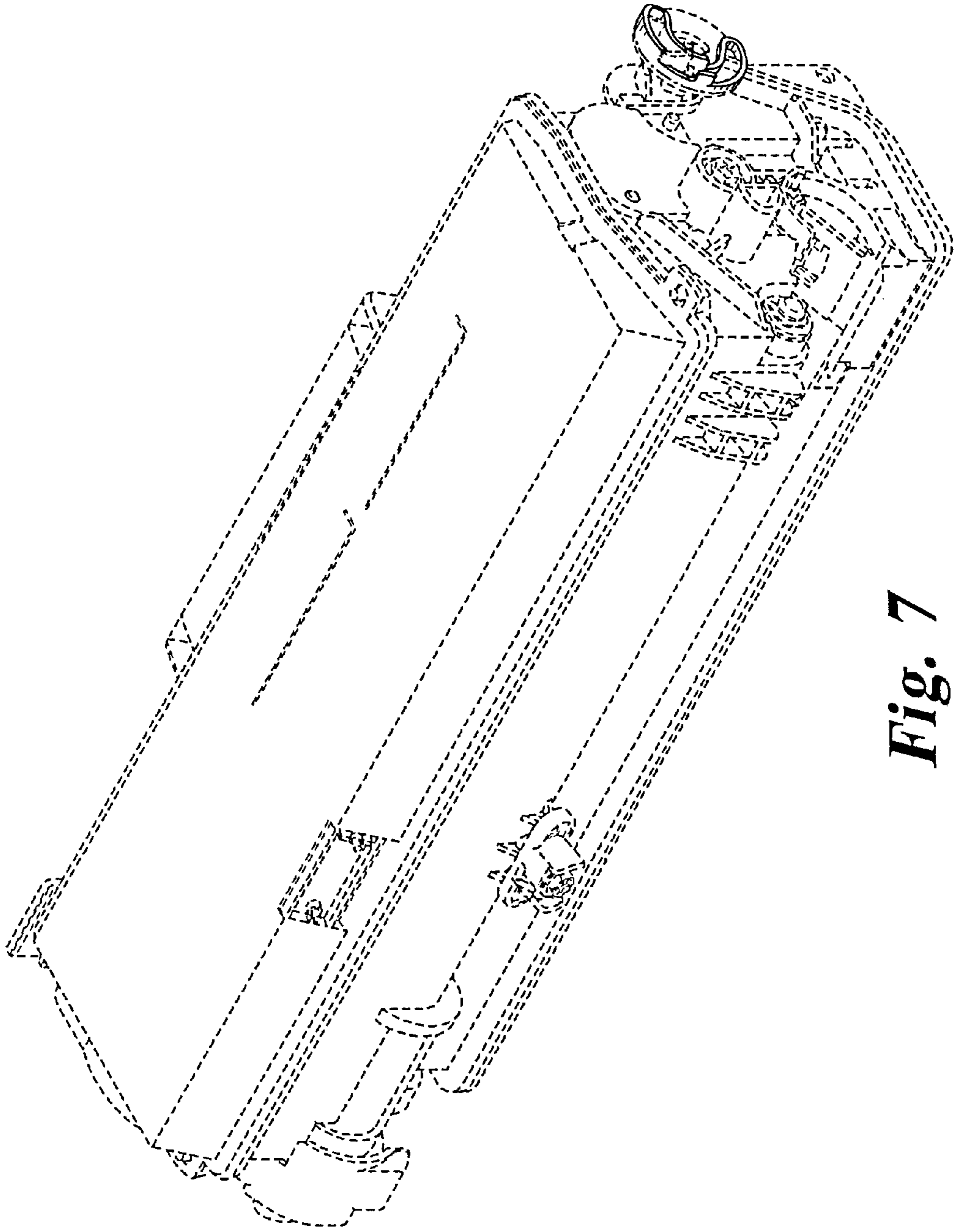


Fig. 7

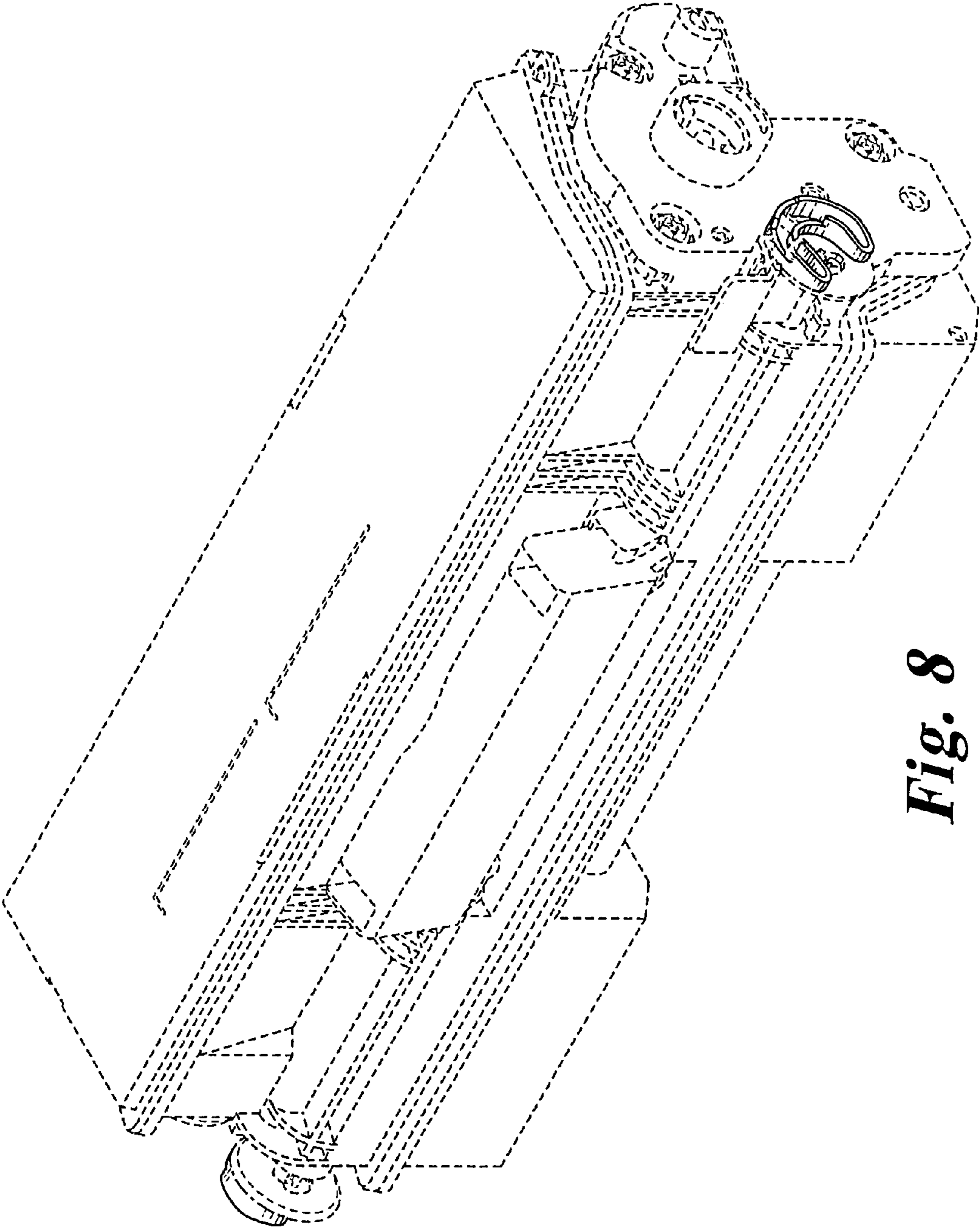


Fig. 8