



US00D740356S

(12) **United States Design Patent**  
**Kikuchi et al.**

(10) **Patent No.:** **US D740,356 S**  
(45) **Date of Patent:** **\*\* Oct. 6, 2015**

(54) **PORTION OF A POWDER CONTAINER**

(71) Applicants: **Kenji Kikuchi**, Ohta-ku (JP); **Shinji Tamaki**, Ohta-ku (JP)

(72) Inventors: **Kenji Kikuchi**, Ohta-ku (JP); **Shinji Tamaki**, Ohta-ku (JP)

(73) Assignee: **RICOH COMPANY, LTD.**, Tokyo (JP)

(\*\*) Term: **14 Years**

(21) Appl. No.: **29/465,623**

(22) Filed: **Aug. 29, 2013**

(30) **Foreign Application Priority Data**

May 17, 2013 (JP) ..... 2013-010889

(51) **LOC (10) Cl.** ..... **16-03**

(52) **U.S. Cl.**  
USPC ..... **D18/43**

(58) **Field of Classification Search**  
USPC ..... D18/12, 36, 40, 43, 44, 50, 56;  
D14/471; 347/49, 50, 197, 222;  
399/11, 106, 120, 230, 262  
CPC ..... G03G 15/0832; G03G 15/0834; G03G  
15/0836; G03G 15/0837; G03G 15/0867;  
G03G 15/0868; G03G 15/0872  
See application file for complete search history.

(56) **References Cited**

**U.S. PATENT DOCUMENTS**

D606,583 S \* 12/2009 Kurenuma et al. .... D18/43  
D636,016 S \* 4/2011 Naito et al. .... D18/43

(Continued)

**OTHER PUBLICATIONS**

U.S. Appl. No. 29/465,616, filed Aug. 29, 2013, Kikuchi, et al.

(Continued)

*Primary Examiner* — Eric Goodman  
*Assistant Examiner* — Amy Wierenga

(74) *Attorney, Agent, or Firm* — Oblon, McClelland, Maier & Neustadt, L.L.P.

(57) **CLAIM**

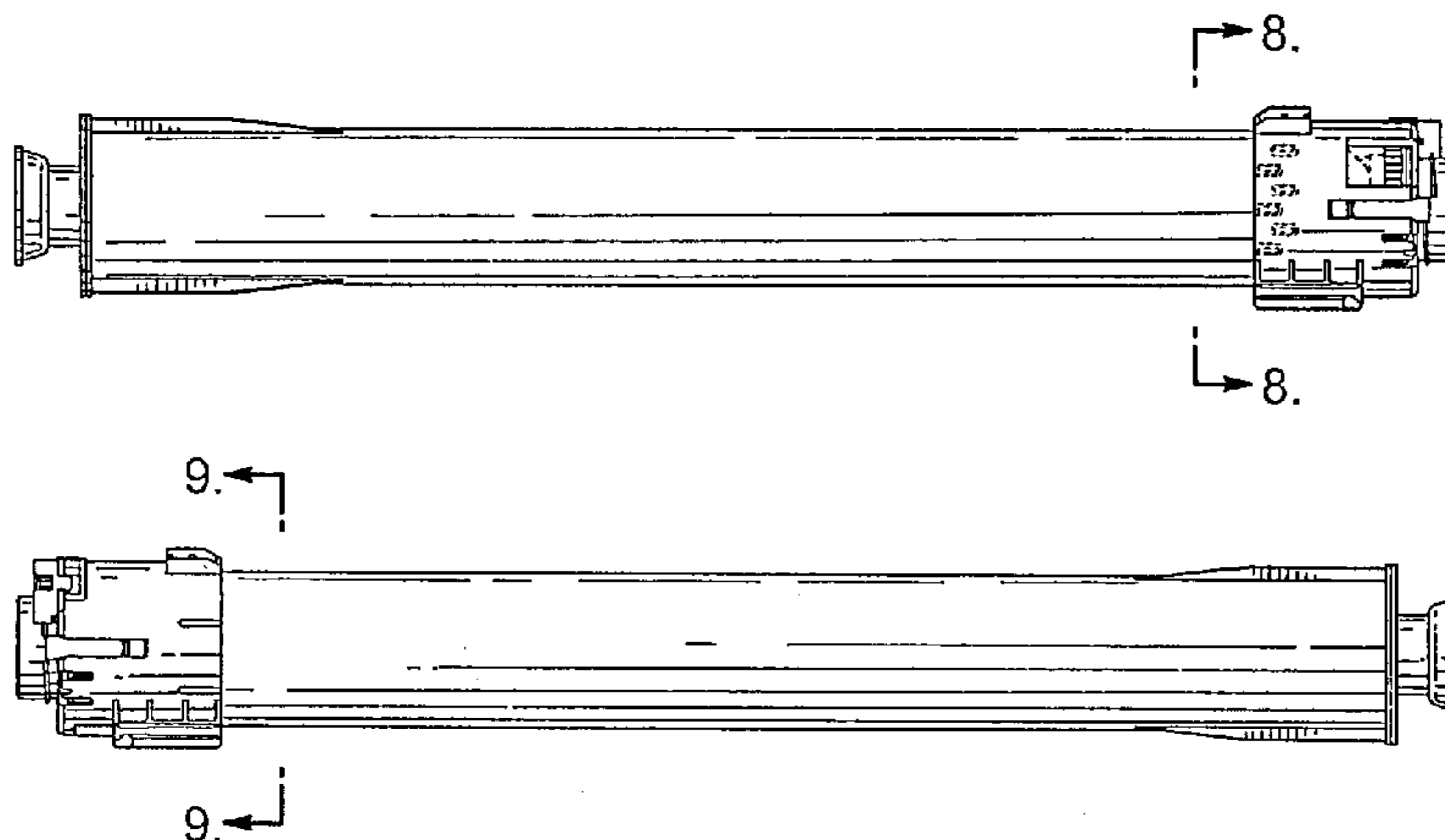
The ornamental design for a portion of a powder container, as shown and described.

**DESCRIPTION**

FIG. 1 is a front elevational view of a portion of a powder container showing our new design; FIG. 2 is a rear elevational view thereof; FIG. 3 is a left side elevational view thereof; FIG. 4 is a right side elevational view thereof; FIG. 5 is a top plan view thereof; FIG. 6 is a bottom plan view thereof; FIG. 7 is an enlarged right side elevational view thereof; FIG. 8 is an enlarged front elevational view thereof from 8.-8. of FIG. 1; FIG. 9 is an enlarged rear elevational view thereof from 9.-9. of FIG. 2; FIG. 10 is an enlarged top plan view thereof from 10.-10. of FIG. 5; FIG. 11 is an enlarged bottom plan view thereof from 11.-11. of FIG. 6; FIG. 12 is a front perspective view thereof; FIG. 13 is a rear perspective view thereof; FIG. 14 is a bottom rear perspective view thereof; FIG. 15 is a bottom front perspective view thereof; FIG. 16 is an enlarged front perspective view thereof from 16.-16. of FIG. 12; FIG. 17 is an enlarged rear perspective view thereof from 17.-17. of FIG. 13; FIG. 18 is an enlarged bottom rear perspective view thereof from 18.-18. of FIG. 14; and, FIG. 19 is an enlarged bottom front perspective view thereof from 19.-19. of FIG. 15.

The broken lines in the drawings depict environmental subject matter only and form no part of the claimed design. The dash-dot-dash broken lines in the drawings represents the bounds of the claim and forms no part of the claimed design.

**1 Claim, 10 Drawing Sheets**



(56)

**References Cited**

U.S. PATENT DOCUMENTS

D636,436	S	*	4/2011	Takami	.....	D18/43
D636,813	S	*	4/2011	Kikuchi et al.	.....	D18/43
D648,781	S	*	11/2011	Sakai et al.	.....	D18/43
D650,414	S	*	12/2011	Takami	.....	D18/43
D652,074	S	*	1/2012	Sakai et al.	.....	D18/43
D653,702	S	*	2/2012	Amberg et al.	.....	D18/43
2013/0272750	A1		10/2013	Matsumoto et al.		

OTHER PUBLICATIONS

U.S. Appl. No. 29/465,626, filed Aug. 29, 2013, Kikuchi, et al.  
U.S. Appl. No. 29/465,782, filed Aug. 30, 2013, Kikuchi, et al.  
U.S. Appl. No. 13/991,250, filed Jun. 3, 2013, Matsumoto, et al.  
U.S. Appl. No. 29/465,616, filed Aug. 29, 2013.  
U.S. Appl. No. 29/465,626, filed Aug. 29, 2013.  
U.S. Appl. No. 29/465,782, filed Aug. 30, 2013.

\* cited by examiner

FIG.1

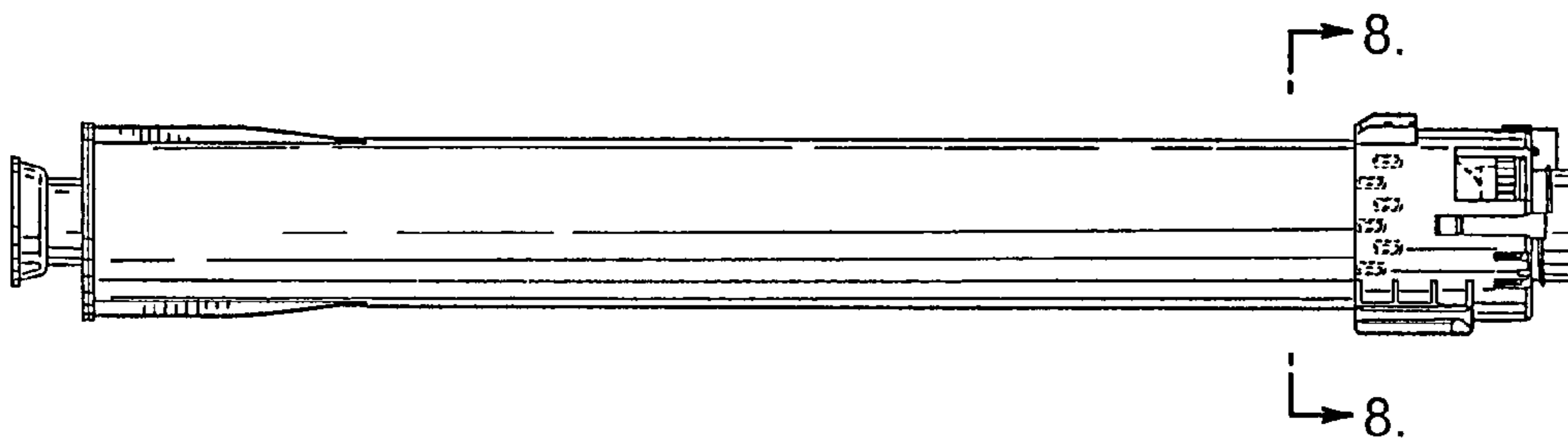


FIG.2

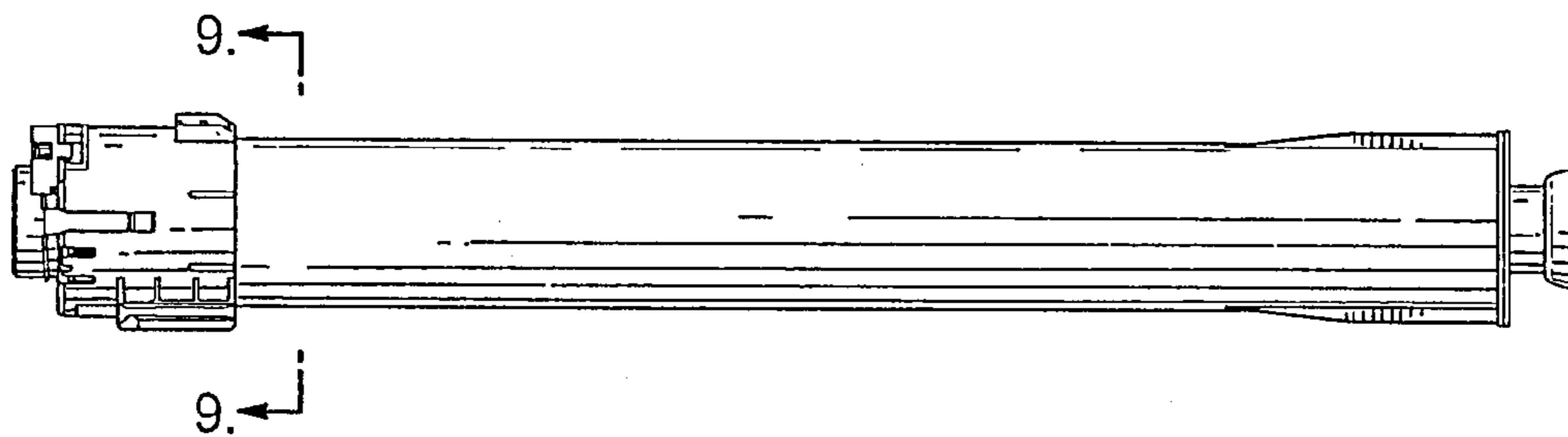


FIG.3

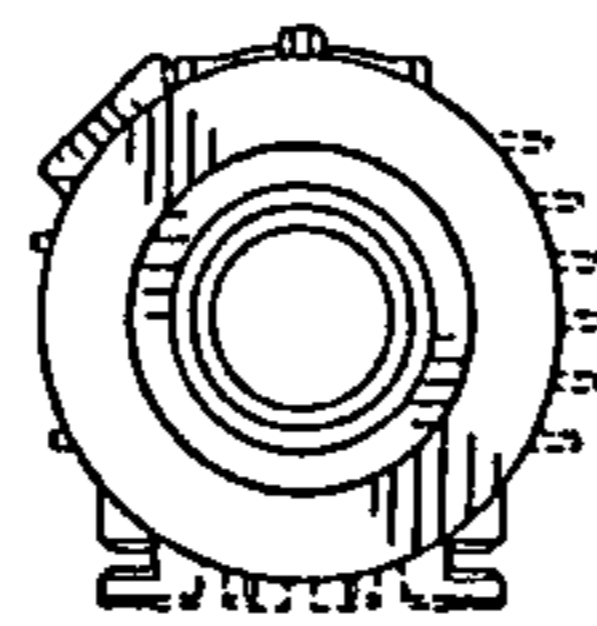


FIG.4

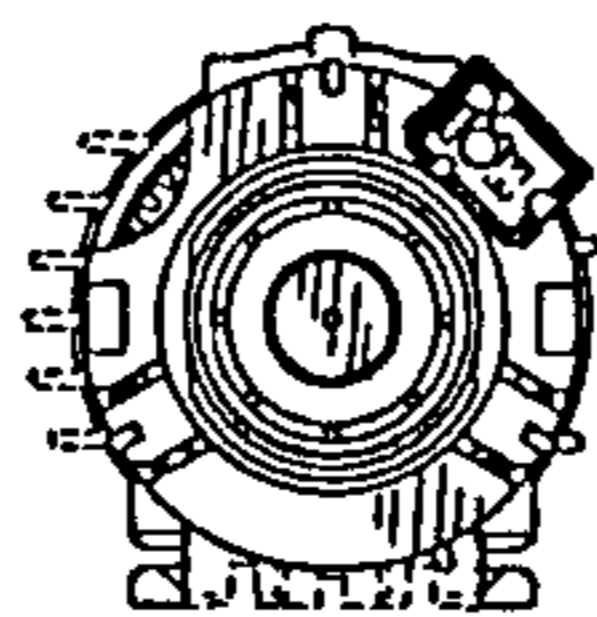


FIG.5

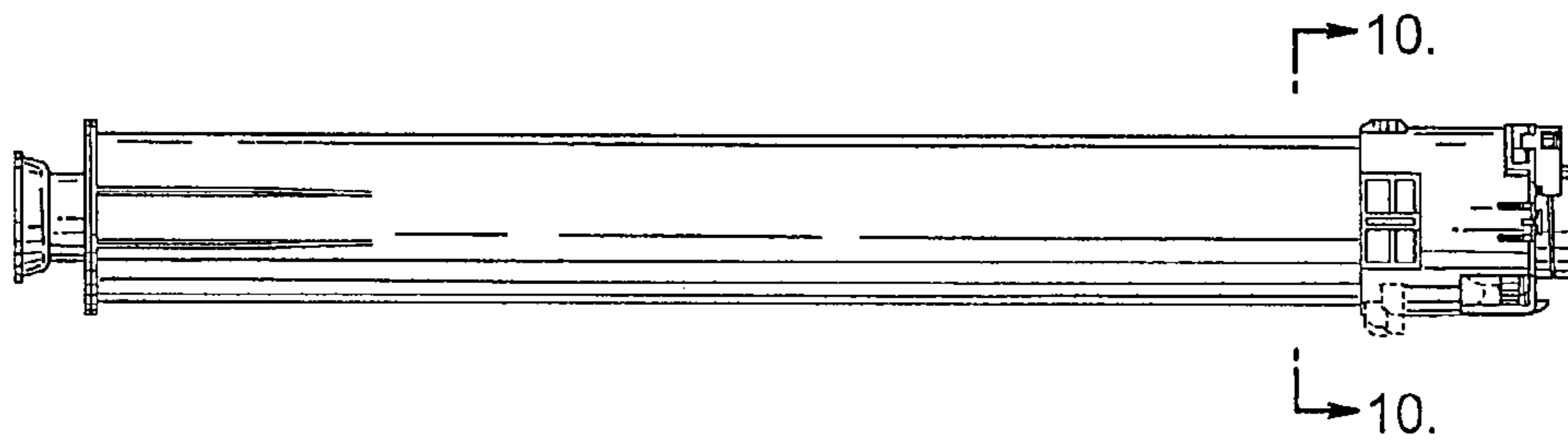


FIG.6

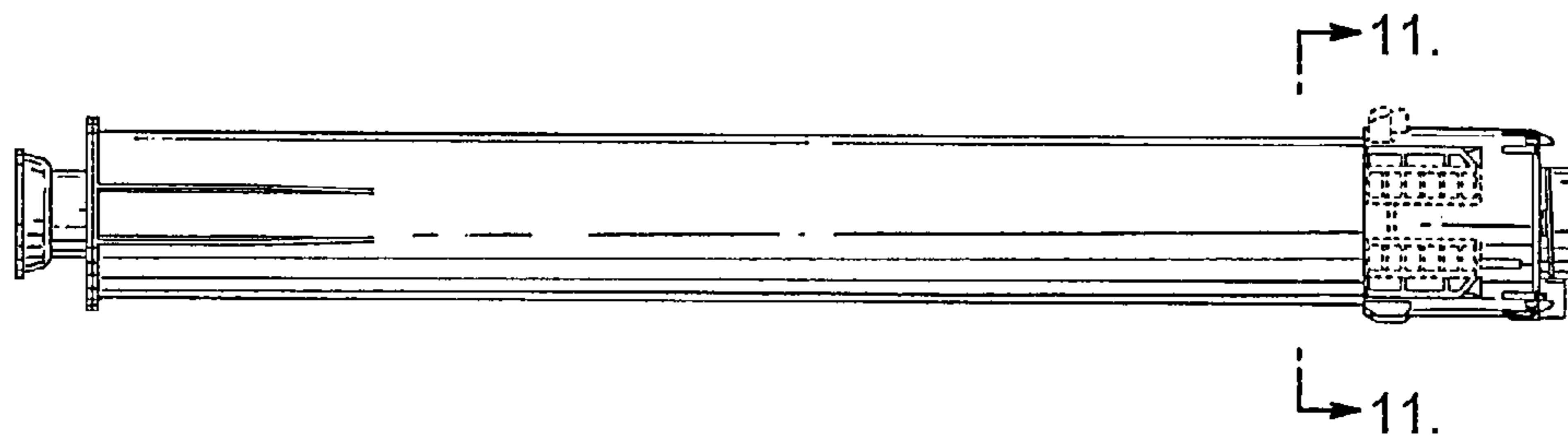


FIG.7

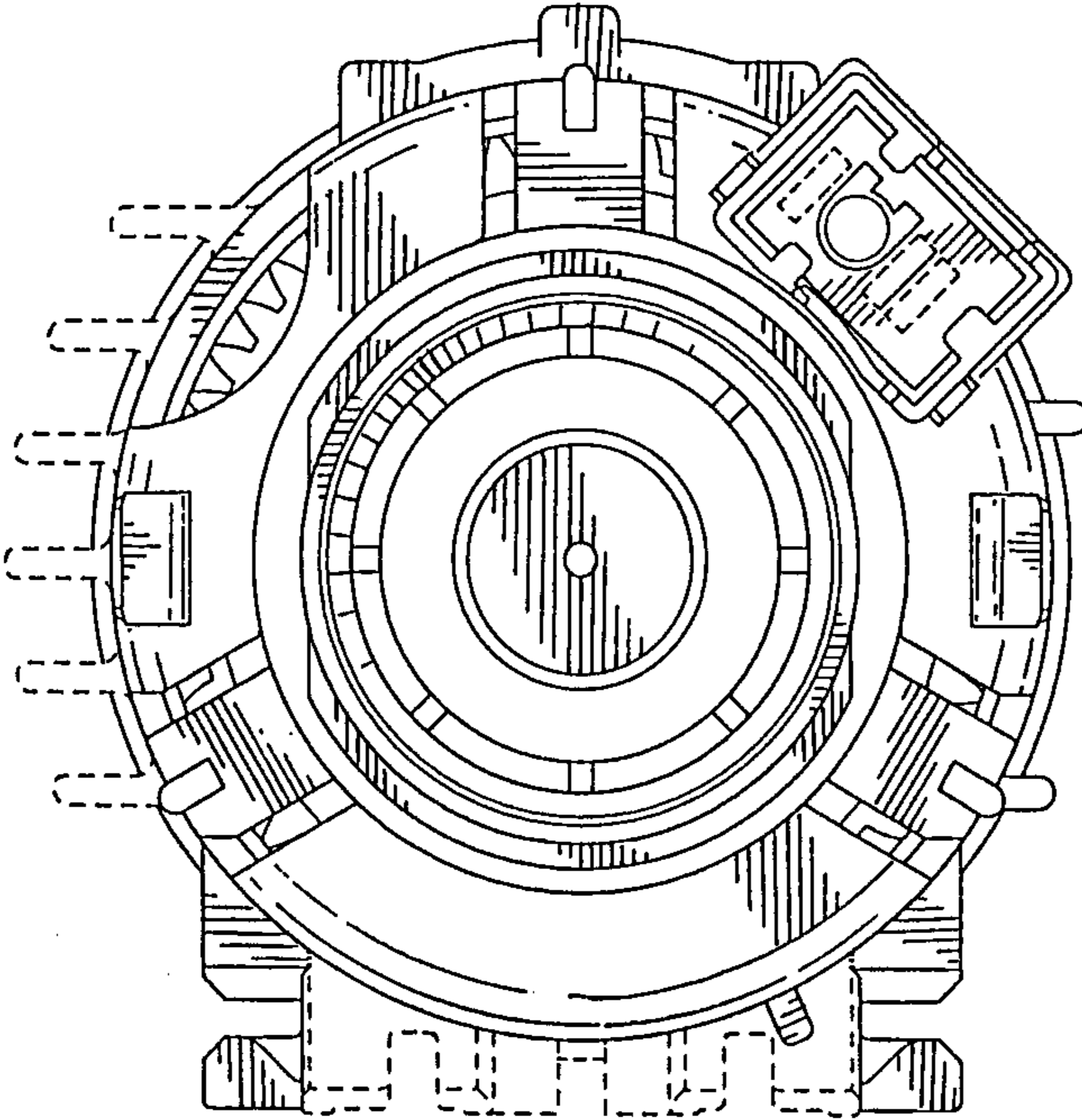


FIG.8

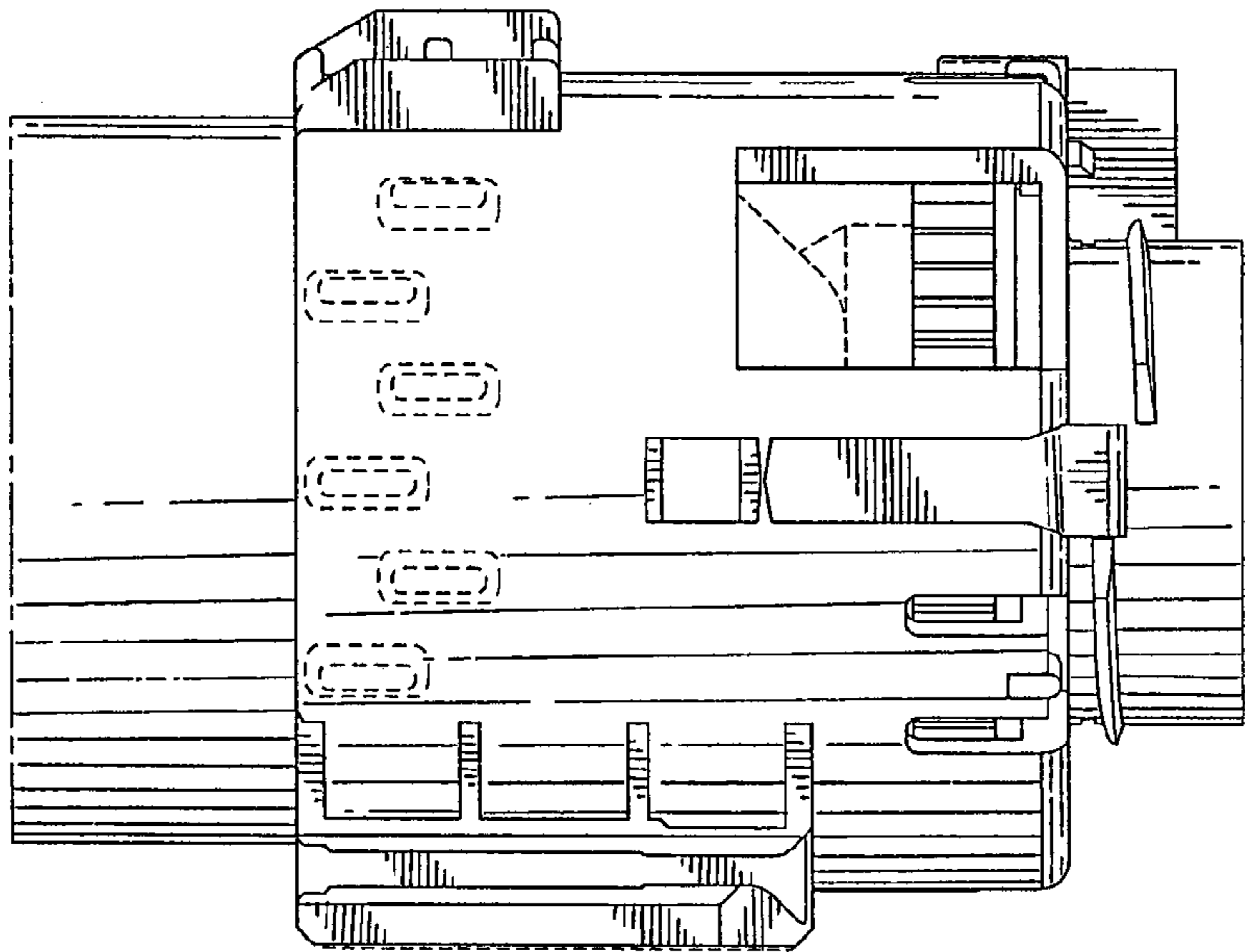


FIG.9

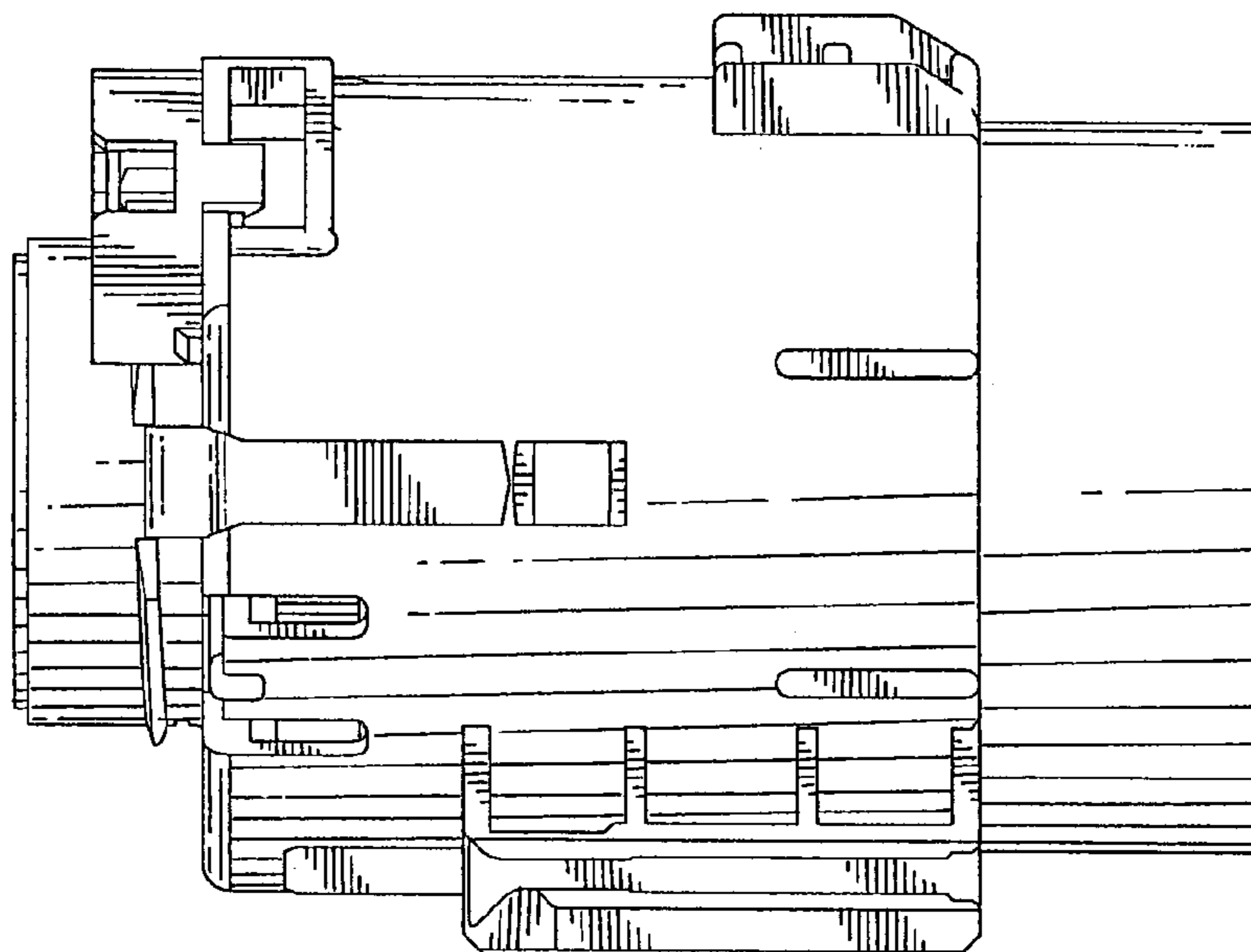


FIG.10

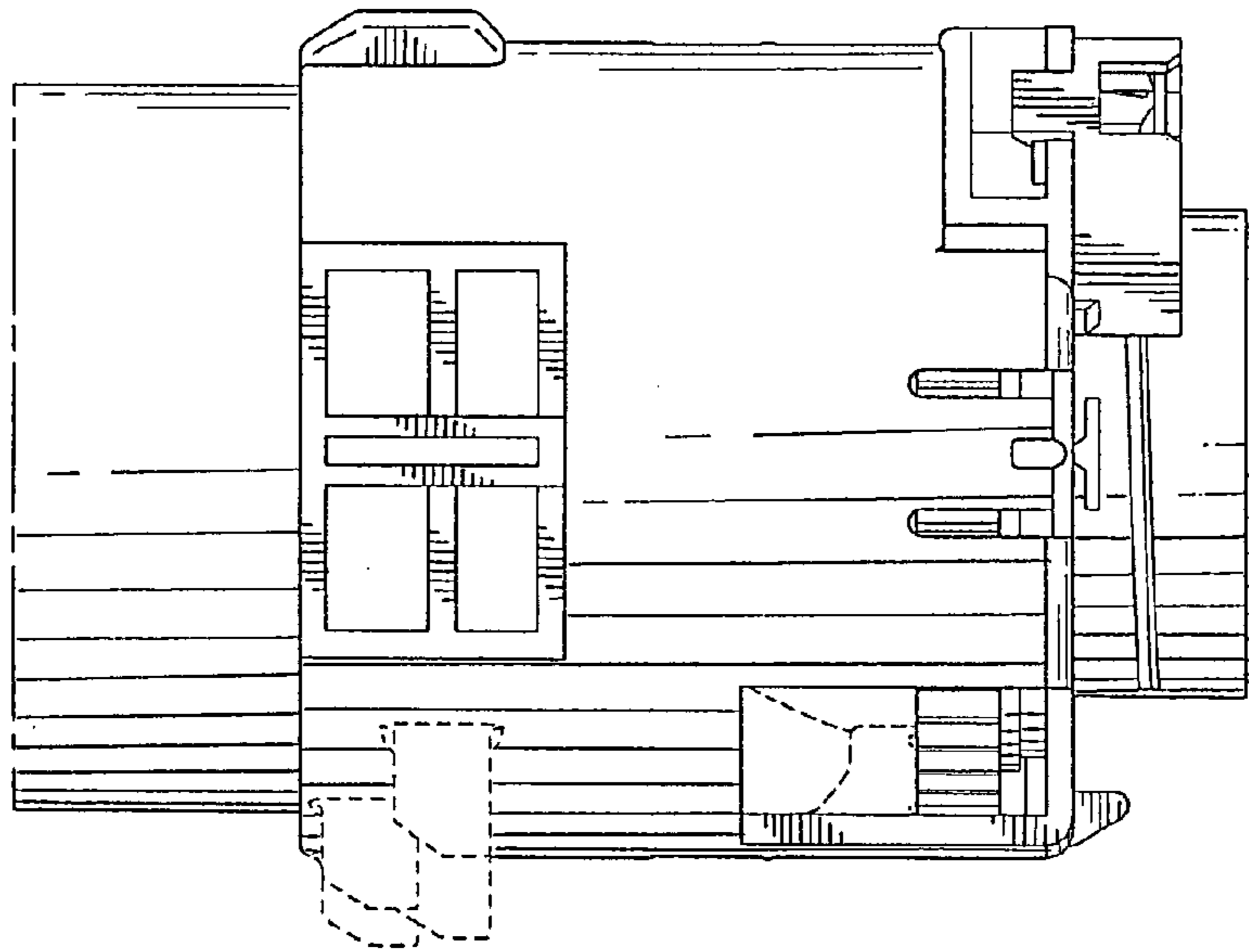


FIG.11

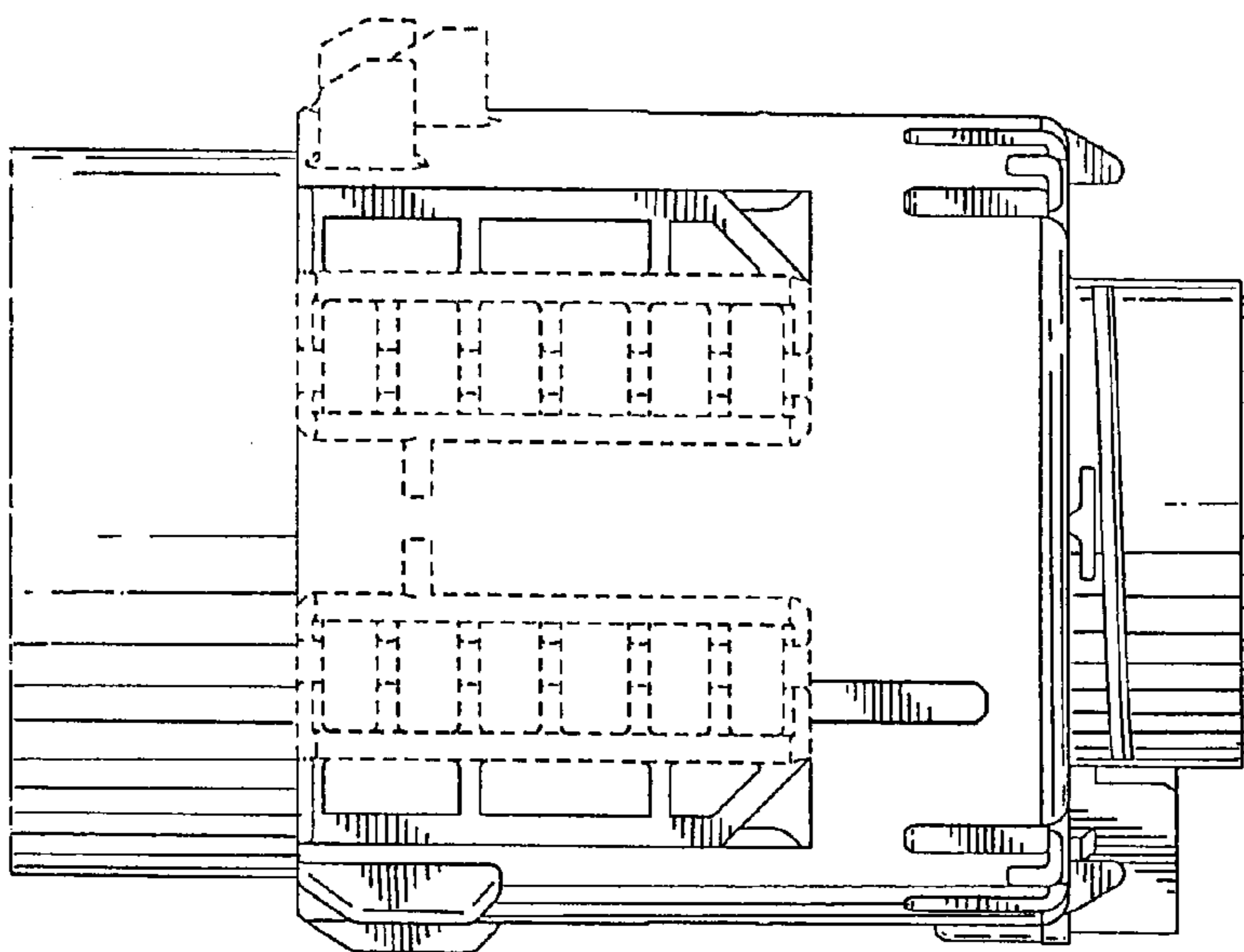




FIG.12

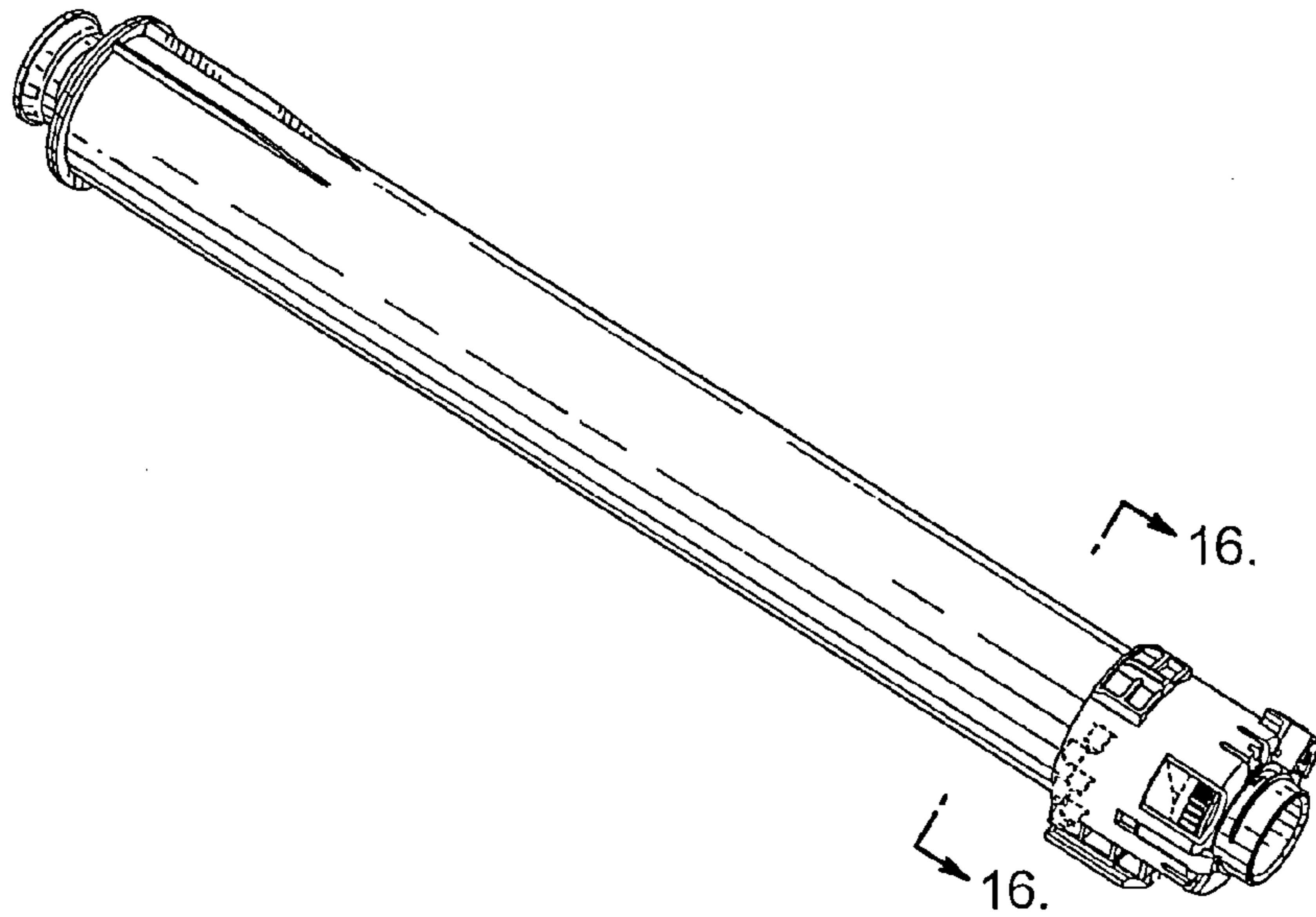


FIG.13

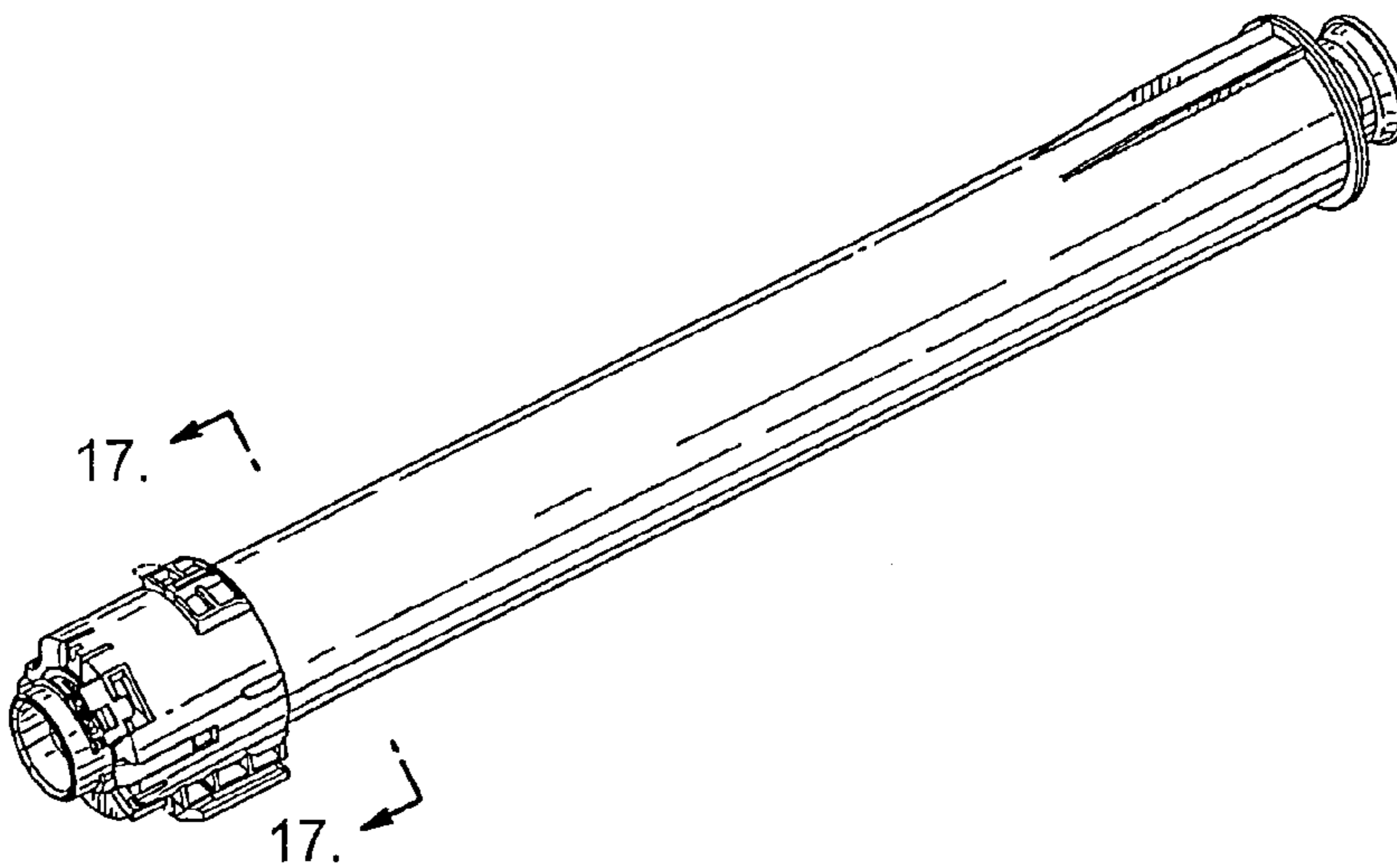


FIG.14

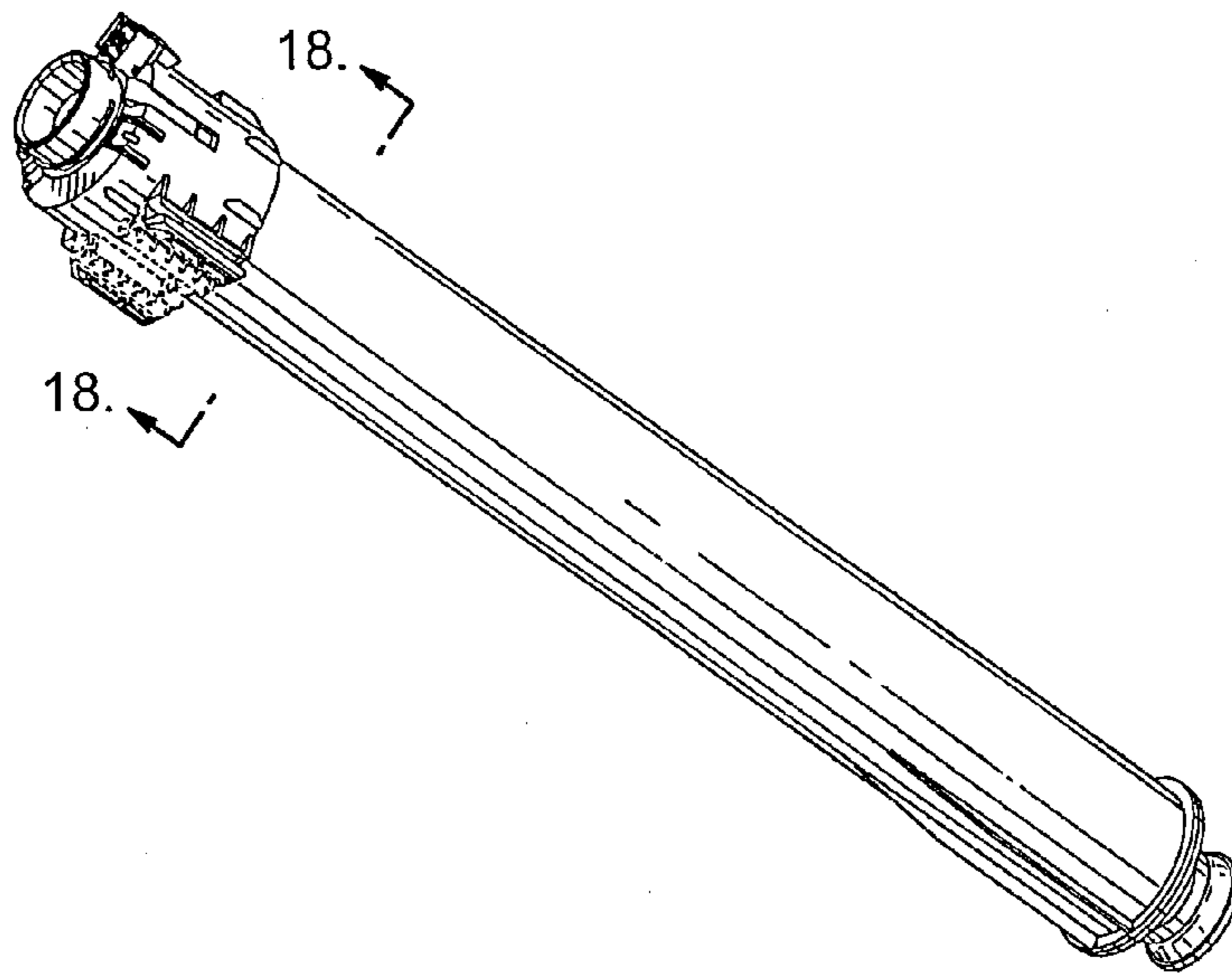


FIG.15

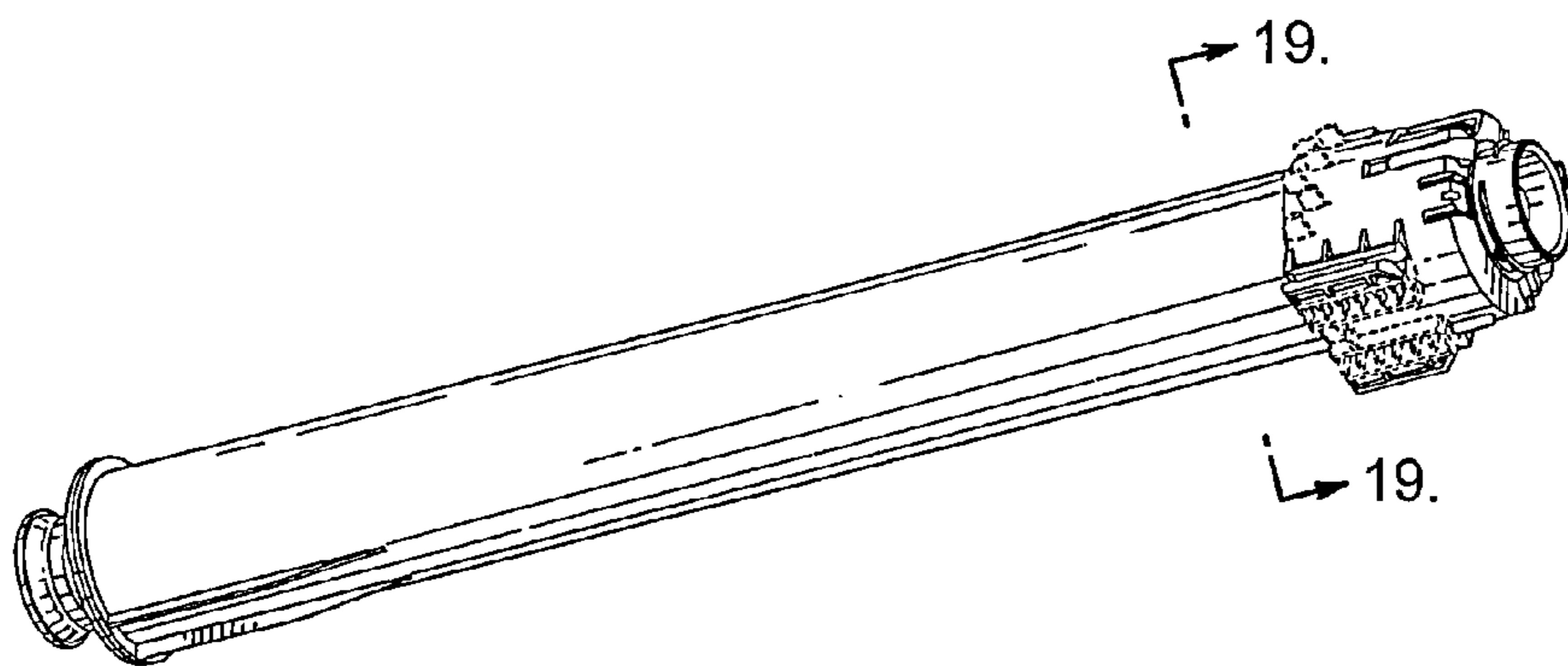


FIG.16

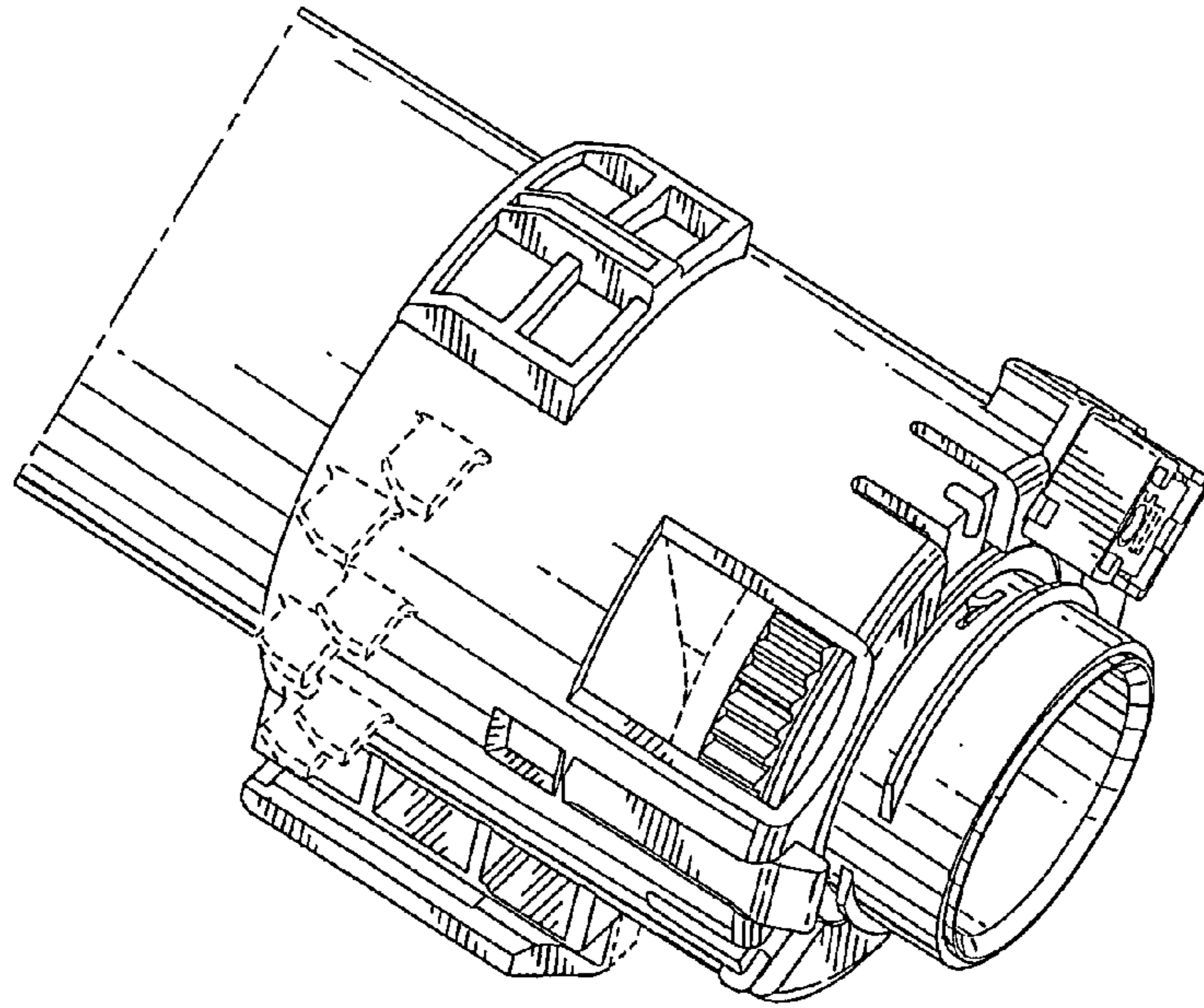


FIG.17

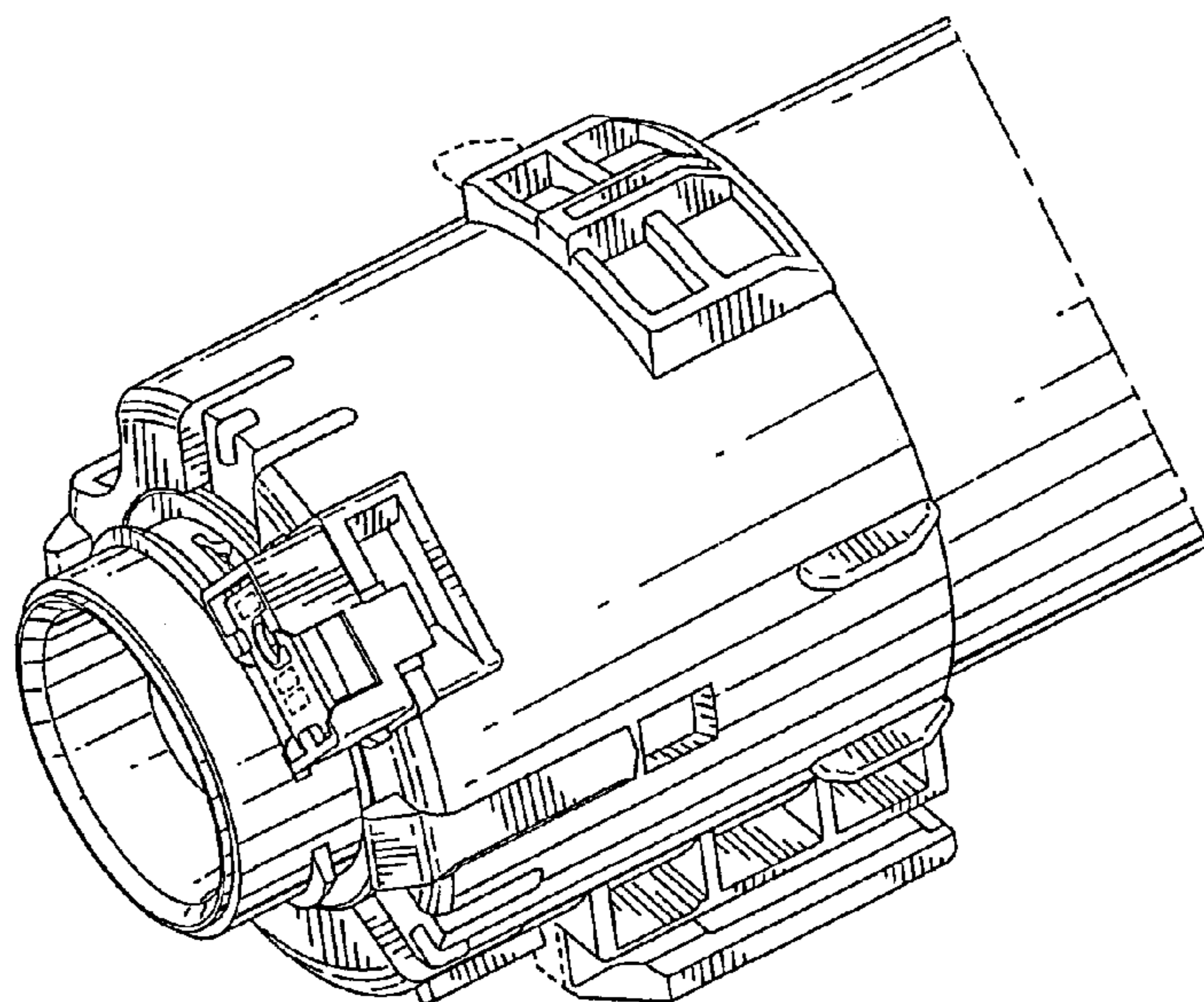


FIG.18

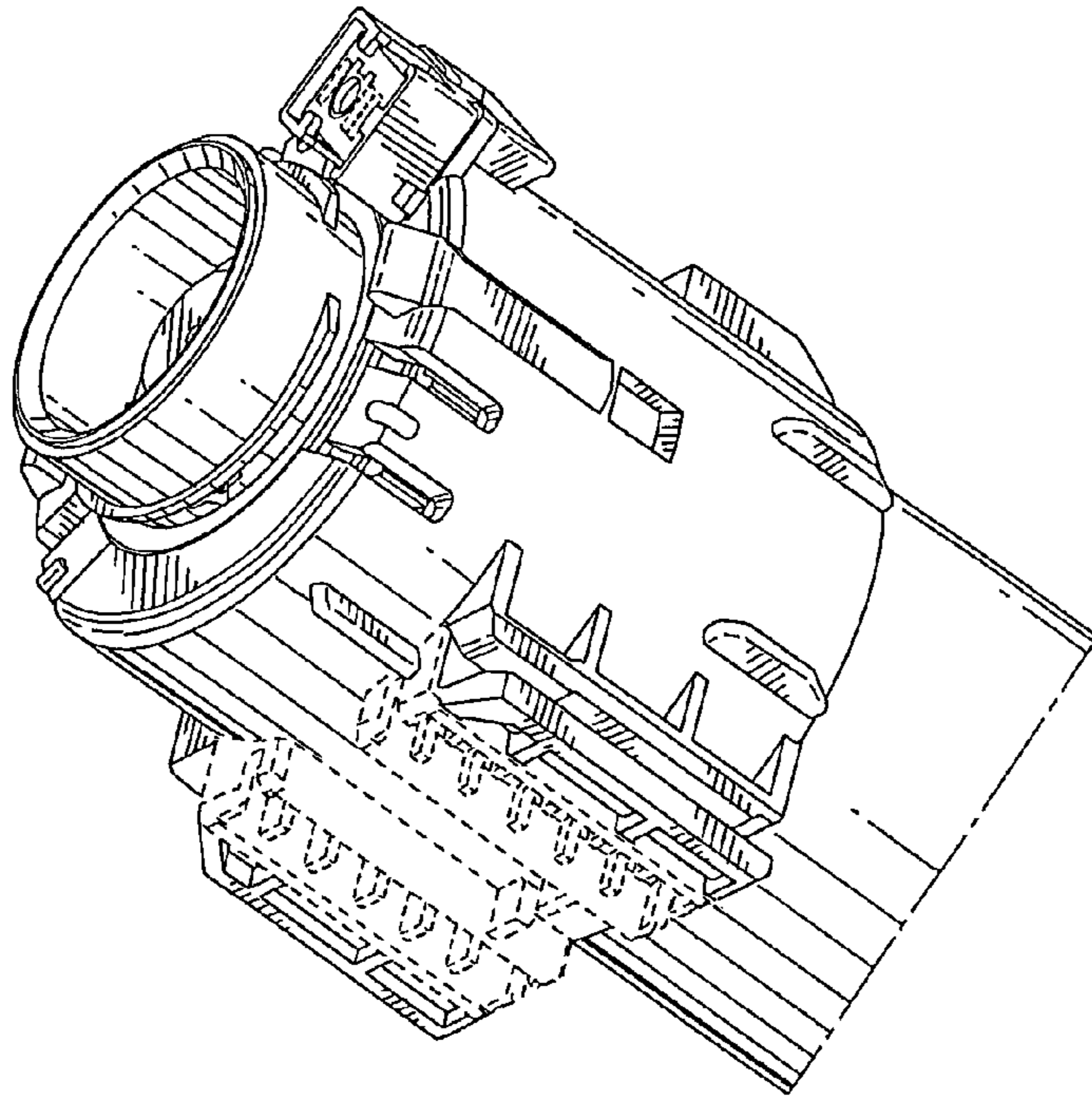


FIG.19

