



US00D740345S

(12) **United States Design Patent**  
**Fujita**

(10) **Patent No.:** **US D740,345 S**

(45) **Date of Patent:** **\*\* Oct. 6, 2015**

(54) **BODY CAP FOR A CAMERA**

(71) Applicant: **Nikon Corporation**, Tokyo (JP)

(72) Inventor: **Chikara Fujita**, Tokyo (JP)

(73) Assignee: **Nikon Corporation**, Tokyo (JP)

(\*\*) Term: **14 Years**

(21) Appl. No.: **29/482,692**

(22) Filed: **Feb. 20, 2014**

(30) **Foreign Application Priority Data**

Aug. 23, 2013 (JP) ..... 2013-019278

(51) **LOC (10) Cl.** ..... **16-05**

(52) **U.S. Cl.**  
USPC ..... **D16/237**; D16/219

(58) **Field of Classification Search**  
USPC ..... D16/134, 136, 213–219, 235, 237,  
D16/239–242, 245; D14/203.4, 250, 345,  
D14/440, 449; D3/205, 227, 247, 263, 267,  
D3/268, 298

CPC ..... G03B 17/02–17/04; G03B 17/14;  
G03B 17/56; G03B 17/561–17/568; G03B  
21/20–21/2066; G03B 15/041–15/0436;  
G02B 7/02–7/04; G02B 7/14; H04N  
5/2251–5/2554

See application file for complete search history.

(56) **References Cited**

**U.S. PATENT DOCUMENTS**

D252,833 S \* 9/1979 Bowser ..... D26/85  
D339,599 S \* 9/1993 Tiffen ..... D16/219  
D462,269 S \* 9/2002 Hunter et al. .... D9/435

D546,863 S \* 7/2007 Ito et al. .... D16/219  
7,289,282 B2 \* 10/2007 Matsushima ..... 359/819  
D584,152 S \* 1/2009 VerWeyst et al. .... D9/454  
D649,993 S \* 12/2011 Ding ..... D16/134  
D650,821 S \* 12/2011 Verhey ..... D16/219  
D702,755 S \* 4/2014 Bould et al. .... D16/237  
D721,750 S \* 1/2015 Teetzel et al. .... D16/136  
D723,274 S \* 3/2015 Almanaseer ..... D3/264

\* cited by examiner

*Primary Examiner* — Susan Bennett Hattan

*Assistant Examiner* — Vy Koenig

(74) *Attorney, Agent, or Firm* — Wolf, Greenfield & Sacks,  
P.C.

(57) **CLAIM**

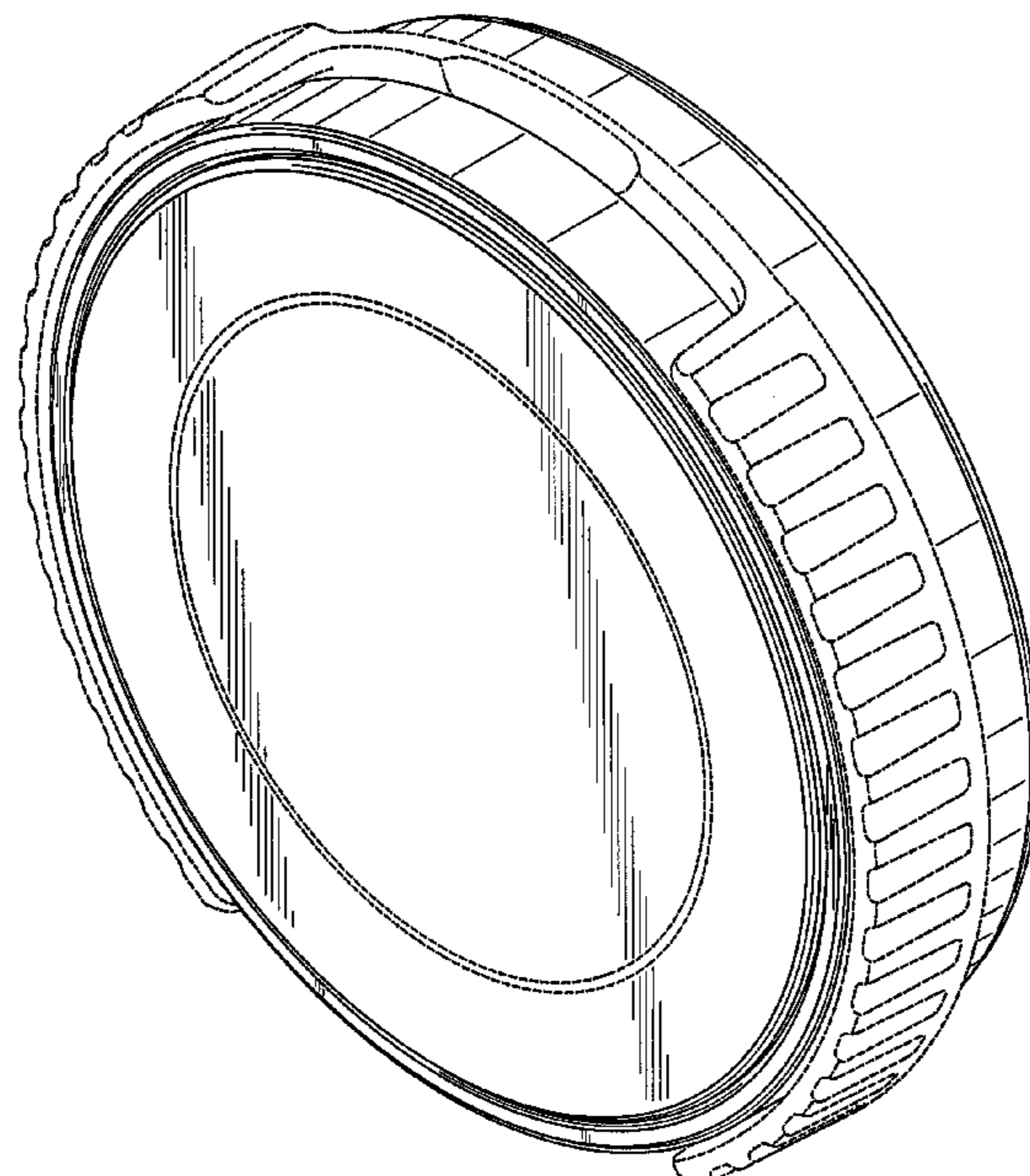
The ornamental design for a body cap for a camera, as shown  
and described.

**DESCRIPTION**

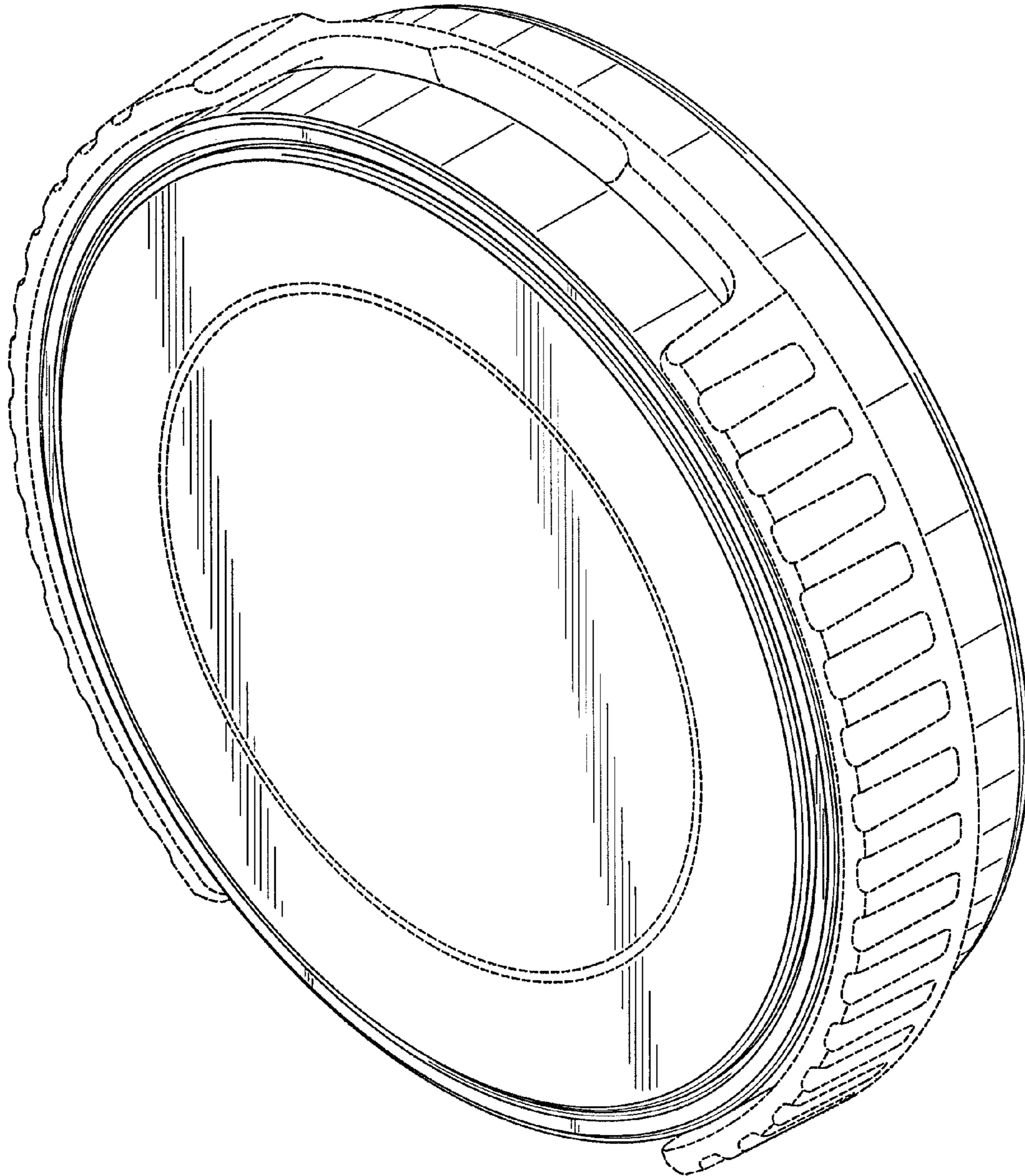
FIG. 1 is a front, top and right side perspective view of a body  
cap for a camera showing my new design;  
FIG. 2 is a rear, bottom and left side perspective view thereof;  
FIG. 3 is a front view thereof;  
FIG. 4 is a rear view thereof;  
FIG. 5 is a top plan view thereof;  
FIG. 6 is a bottom plan view thereof;  
FIG. 7 is a right side view thereof;  
FIG. 8 is a left side view thereof;  
FIG. 9 is an enlarged cross-sectional view taken along line 9-9  
in FIG. 3; and,  
FIG. 10 is an enlarged cross-sectional view taken along line  
10-10 in FIG. 3.

The features shown in broken lines in the drawings depict  
environmental subject matter only and form no part of the  
claimed design. The dashed-dotted lines denote the boundary  
of the claim and form no part of the claimed design.

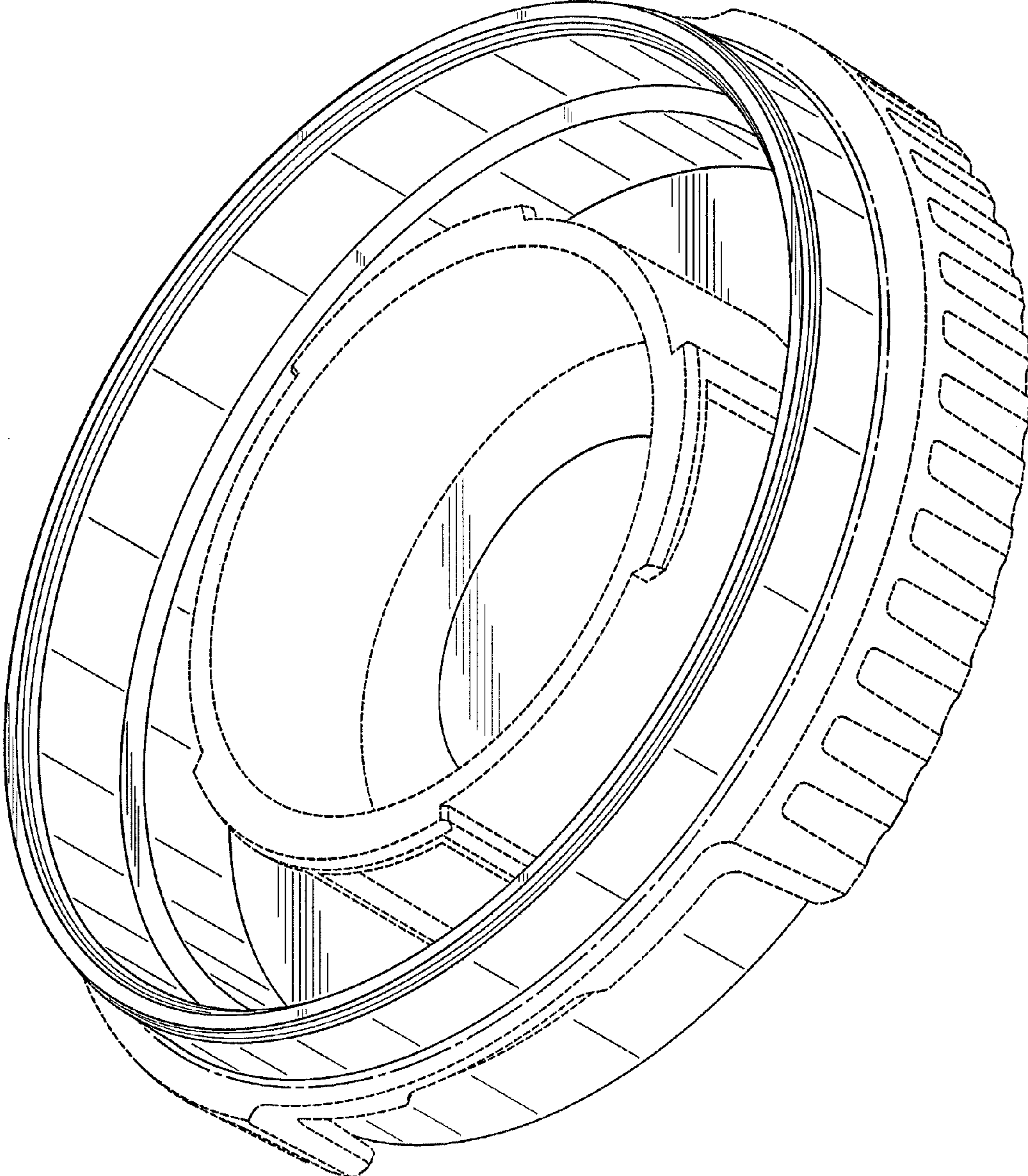
**1 Claim, 10 Drawing Sheets**



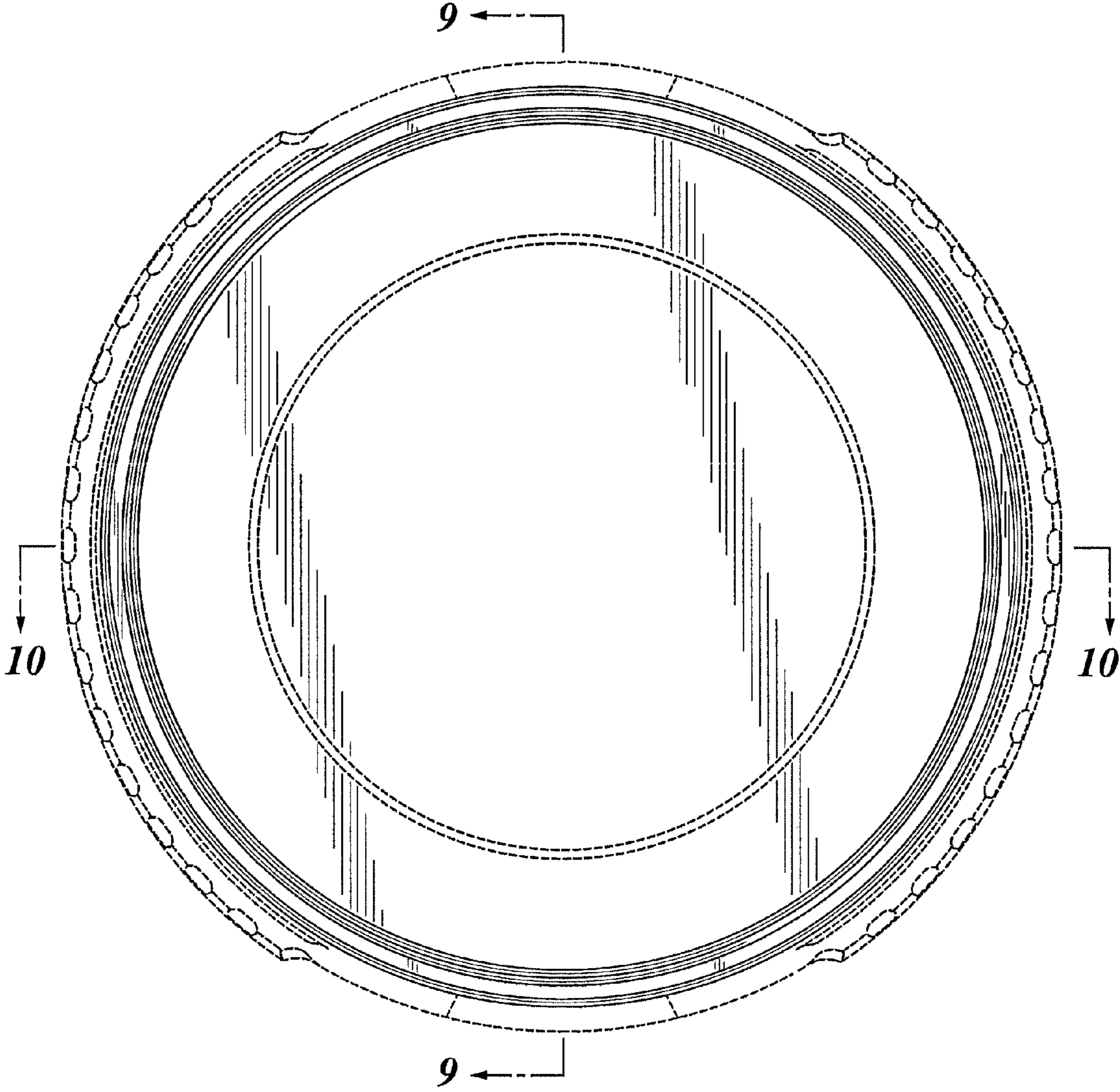
**FIG. 1**



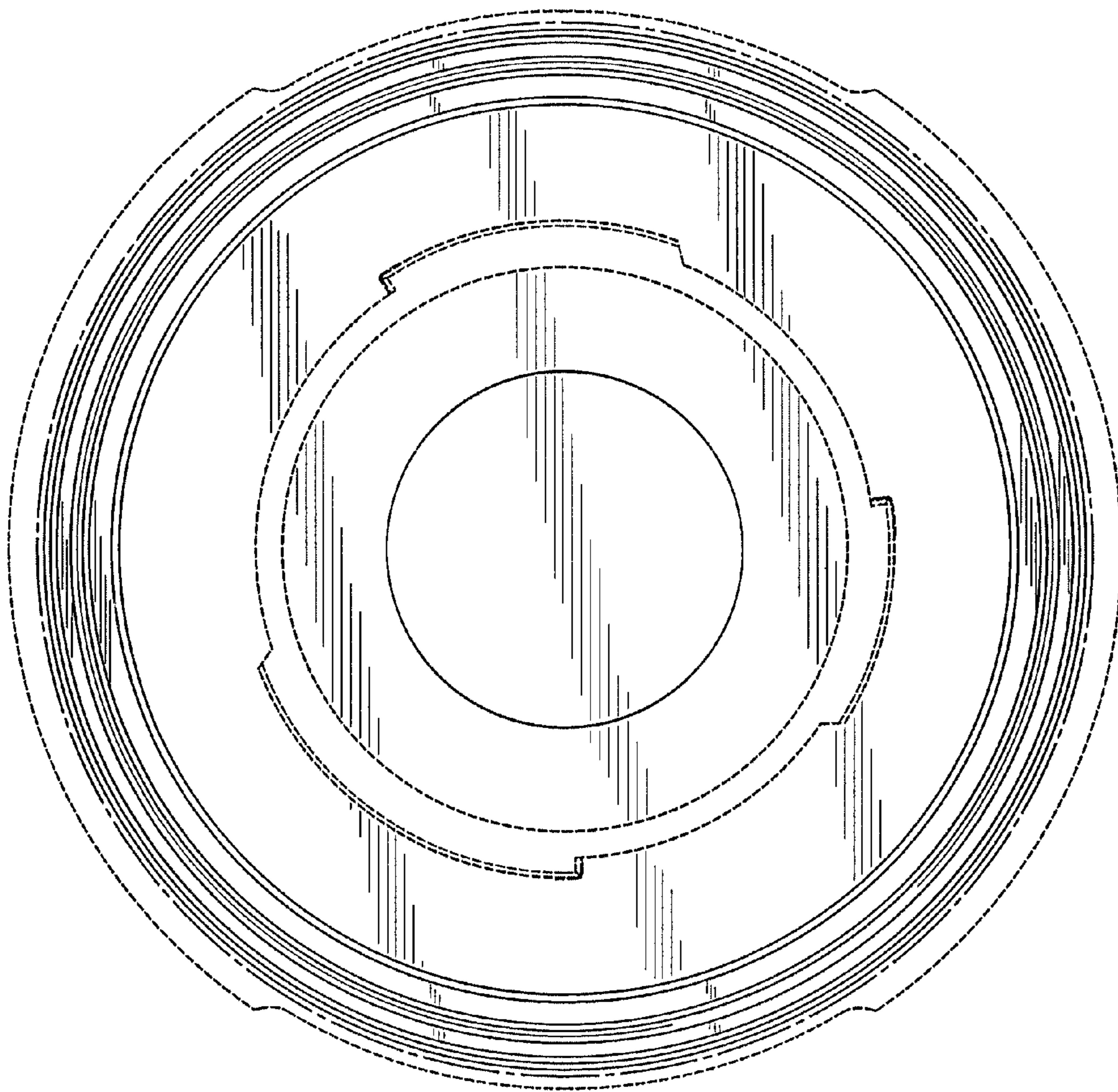
**FIG. 2**



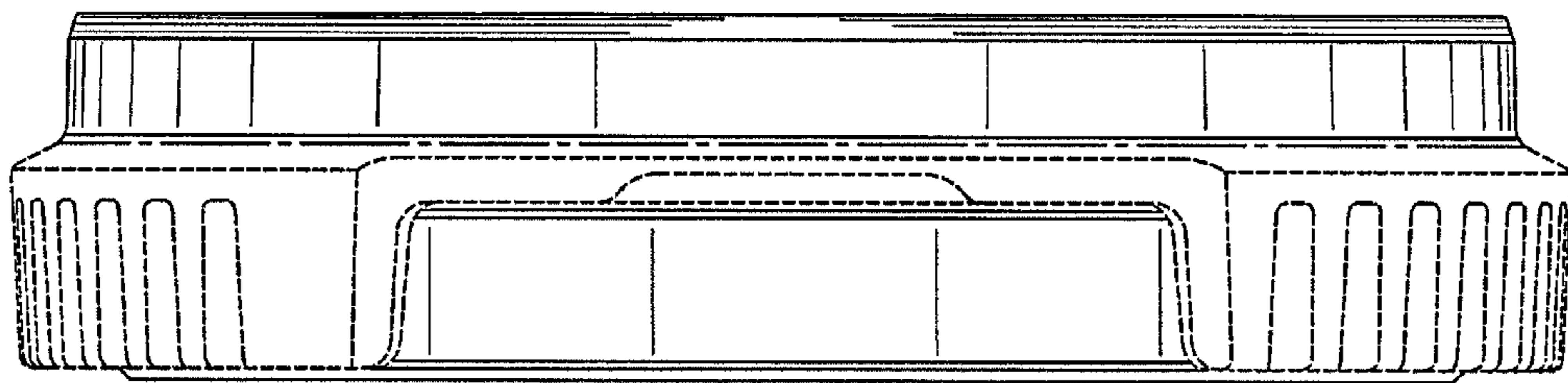
**FIG. 3**



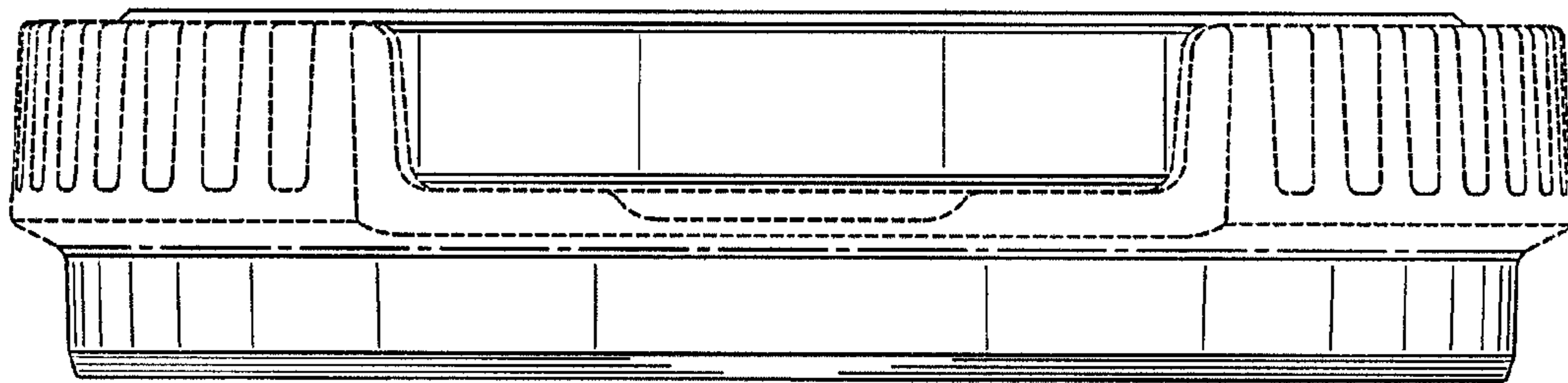
*FIG. 4*



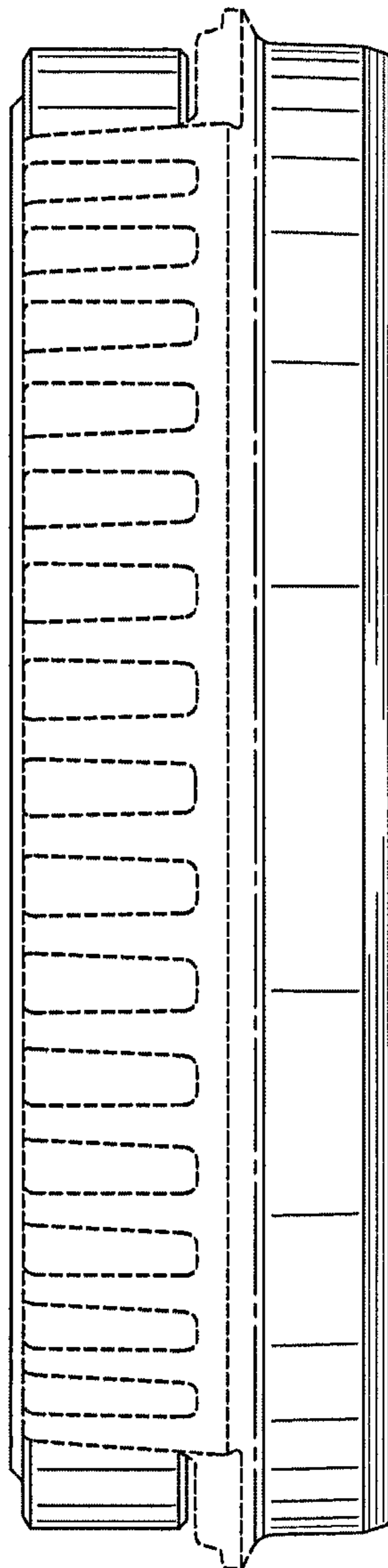
*FIG. 5*



*FIG. 6*

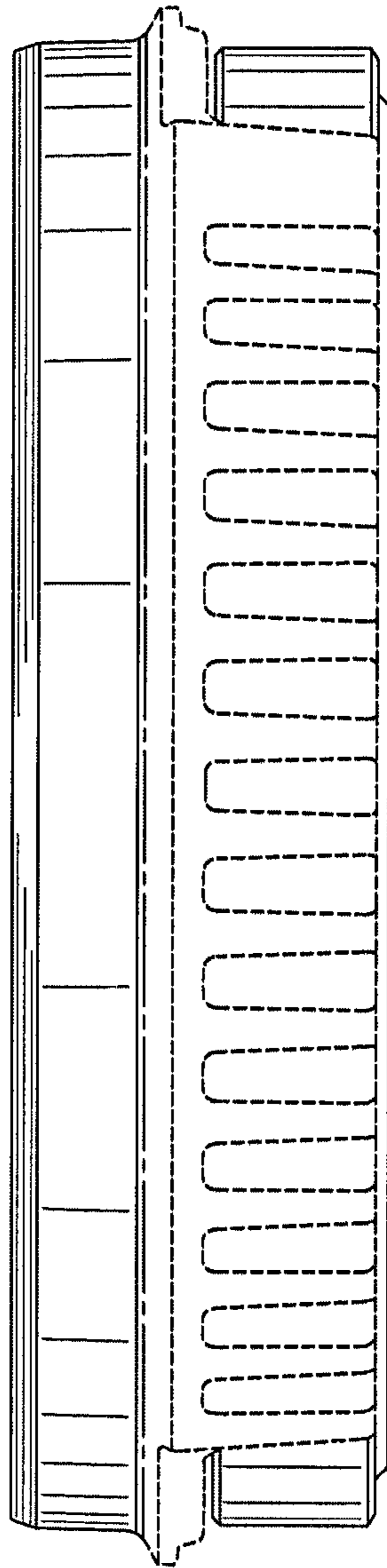


**FIG. 7**

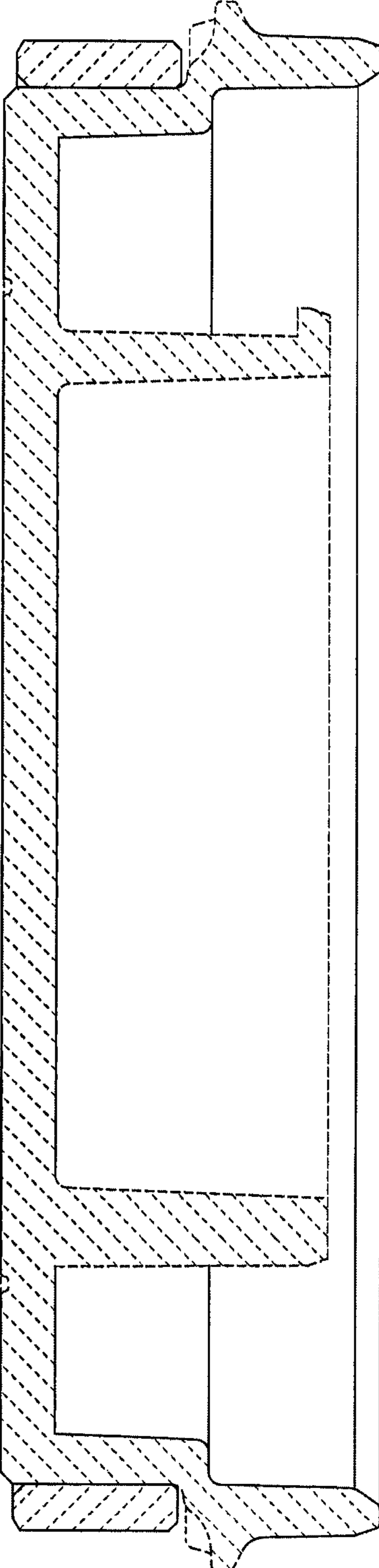




***FIG. 8***



**FIG. 9**



*FIG. 10*

