



US00D740338S

(12) **United States Design Patent**
Ford

(10) **Patent No.:** **US D740,338 S**
(45) **Date of Patent:** **** Oct. 6, 2015**

(54) **LDC WELDER**

(71) Applicant: **Aaron J. Ford**, Provo, UT (US)

(72) Inventor: **Aaron J. Ford**, Provo, UT (US)

(73) Assignee: **Sunstone Engineering, Inc.**, Payson,
UT (US)

(**) Term: **14 Years**

(21) Appl. No.: **29/493,135**

(22) Filed: **Jun. 5, 2014**

(51) **LOC (10) Cl.** **15-09**

(52) **U.S. Cl.**
USPC **D15/144**

(58) **Field of Classification Search**
USPC D15/144, 144.1, 144.2
See application file for complete search history.

(56) **References Cited**

U.S. PATENT DOCUMENTS

3,708,099	A *	1/1973	Nuccel	228/29
3,742,365	A *	6/1973	Sciaky	219/121.13
4,452,589	A *	6/1984	Denison	434/234
4,539,465	A *	9/1985	Bosna	219/137.7
D287,135	S *	12/1986	Nagatani et al.	D15/144
4,653,739	A *	3/1987	Moore	269/61
4,724,294	A *	2/1988	Klein	219/86.7
4,999,475	A *	3/1991	Yasuge	219/86.41
5,606,235	A *	2/1997	Maletti	318/625
D416,030	S *	11/1999	Weller et al.	D15/144.1
6,084,195	A *	7/2000	Swaggerty et al.	219/86.41
6,288,356	B1 *	9/2001	Harder et al.	219/86.25
6,305,678	B1 *	10/2001	Hammersmith et al.	269/71
6,327,768	B1 *	12/2001	Cappa et al.	29/407.1
6,750,428	B2 *	6/2004	Okamoto et al.	219/130.5
6,768,078	B1 *	7/2004	Garza et al.	219/87
6,772,802	B2 *	8/2004	Few	141/65
D504,449	S *	4/2005	Butchko	D15/151
7,325,581	B2 *	2/2008	Braun	156/513
D602,057	S *	10/2009	Osicki	D15/144
7,743,809	B2 *	6/2010	Seo	156/497

(Continued)

Primary Examiner — Patricia Palasik

(74) *Attorney, Agent, or Firm* — Wright Law Group, PLLC;
Mark F. Wright

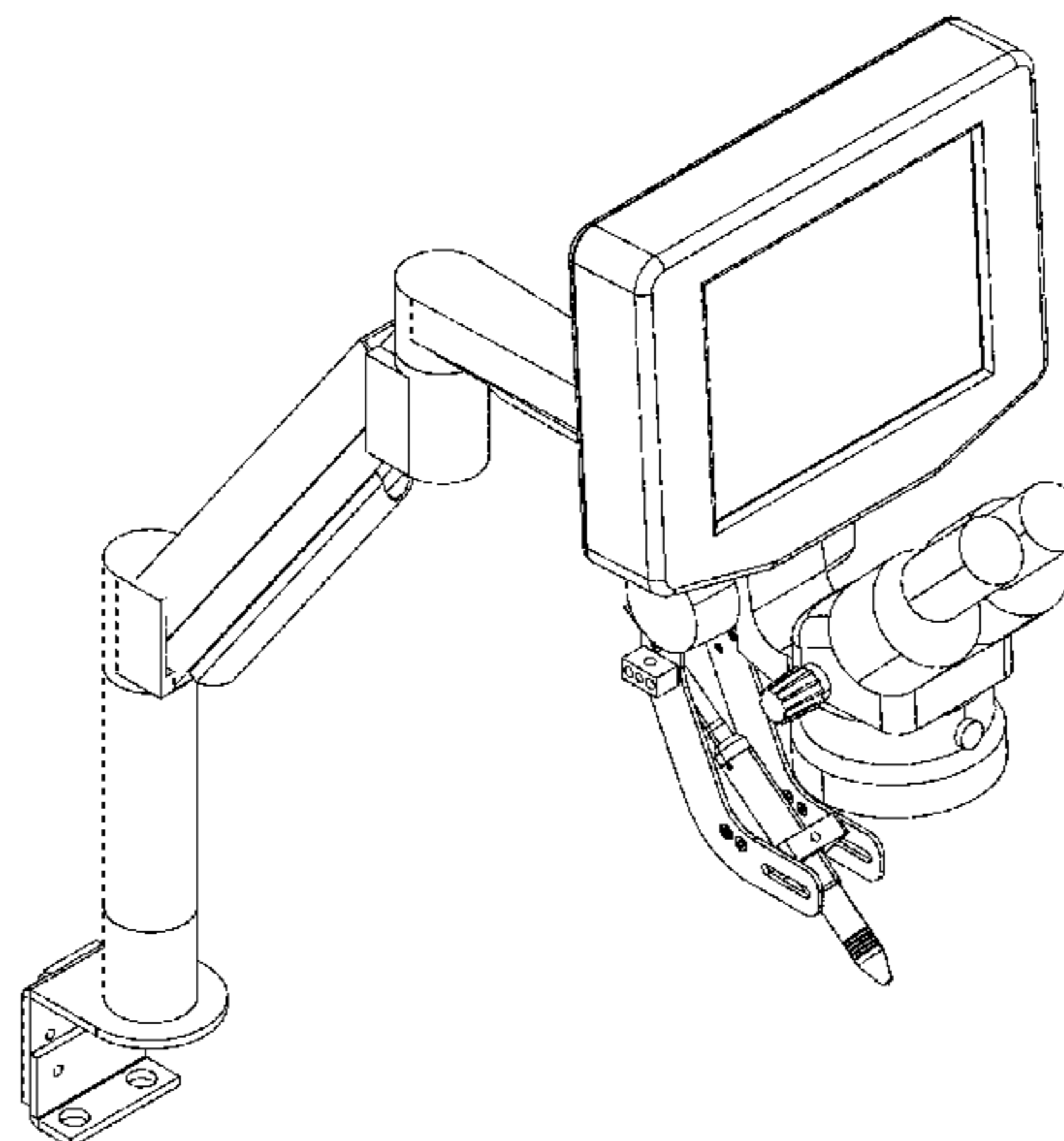
(57) **CLAIM**

The ornamental design for a LDC welder, as shown and described.

DESCRIPTION

FIG. 1 is a left-side perspective view of an LDC welder in an extended position showing the new design;
 FIG. 2 is a right-side perspective view of an LDC welder in an extended position showing the new design;
 FIG. 3 is a right-side view of an LDC welder in an extended position showing the new design;
 FIG. 4 is a left-side view of an LDC welder in an extended position showing the new design;
 FIG. 5 is a top view of an LDC welder in an extended position showing the new design;
 FIG. 6 is a bottom view of an LDC welder in an extended position showing the new design;
 FIG. 7 is a back view of an LDC welder in an extended position showing the new design;
 FIG. 8 is a front view of an LDC welder in an extended position showing the new design;
 FIG. 9 is a left-side perspective view of an LDC welder in a retracted position showing the new design;
 FIG. 10 is a right-side perspective view of an LDC welder in a retracted position showing the new design;
 FIG. 11 is a right-side view of an LDC welder in a refracted position showing the new design;
 FIG. 12 is a left-side view of an LDC welder in a retracted position showing the new design;
 FIG. 13 is a top view of an LDC welder in a retracted position showing the new design;
 FIG. 14 is a bottom view of an LDC welder in a refracted position showing the new design;
 FIG. 15 is a back view of an LDC welder in a retracted position showing the new design; and,
 FIG. 16 is a front view of an LDC welder in a retracted position showing the new design.

1 Claim, 16 Drawing Sheets



(56)

References Cited

U.S. PATENT DOCUMENTS

D631,074 S *	1/2011	Peters et al.	D15/144	8,992,226 B1 *	3/2015	Leach et al.	434/234
D642,604 S *	8/2011	Rohrer et al.	D15/144	2009/0152251 A1 *	6/2009	Dantine et al.	219/125.1
D654,521 S *	2/2012	Flubacher et al.	D15/144	2010/0062405 A1 *	3/2010	Zboray et al.	434/234
				2010/0062406 A1 *	3/2010	Zboray et al.	434/234
				2010/0176107 A1 *	7/2010	Bong	219/137 R

* cited by examiner

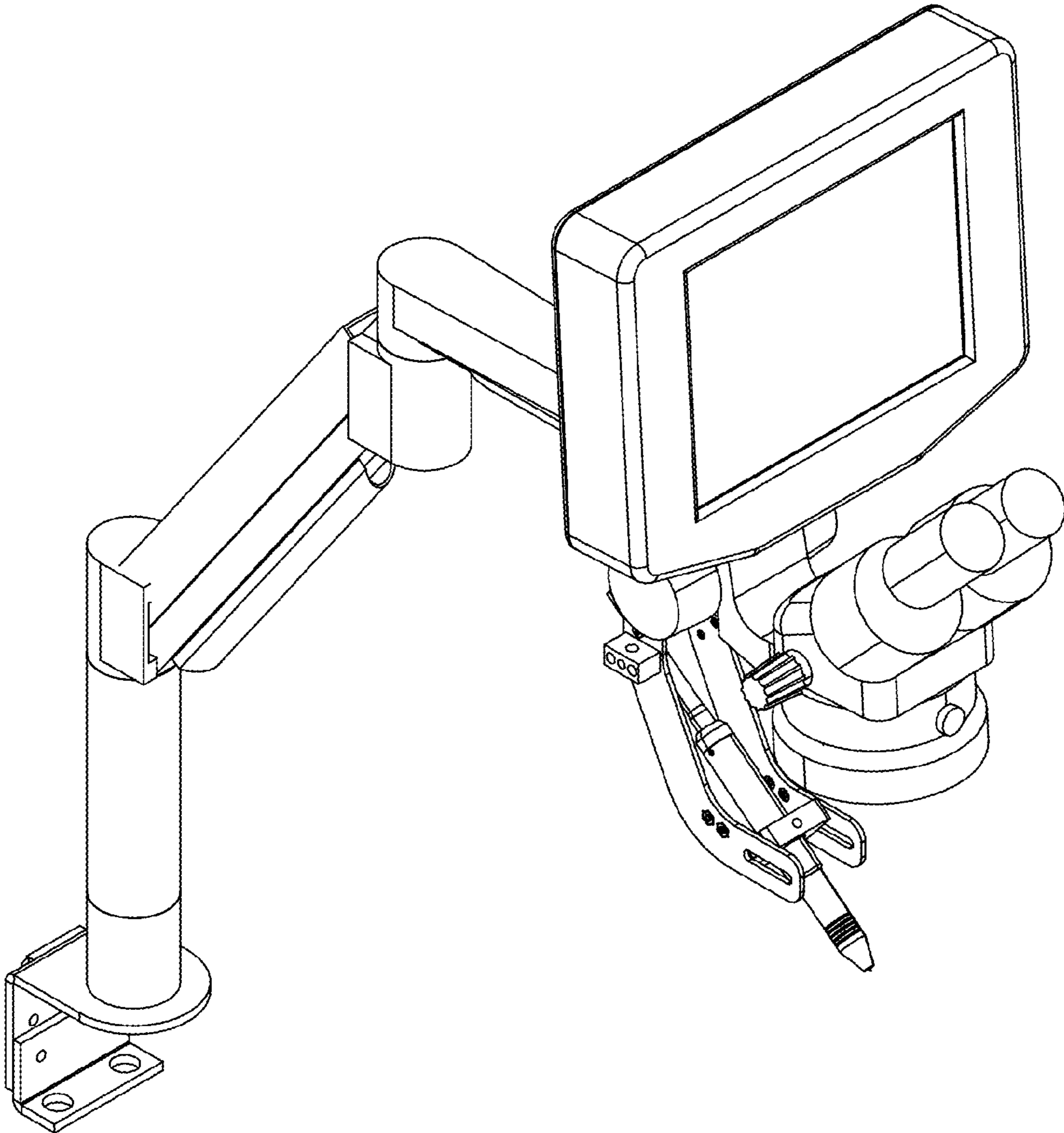


FIG. 1

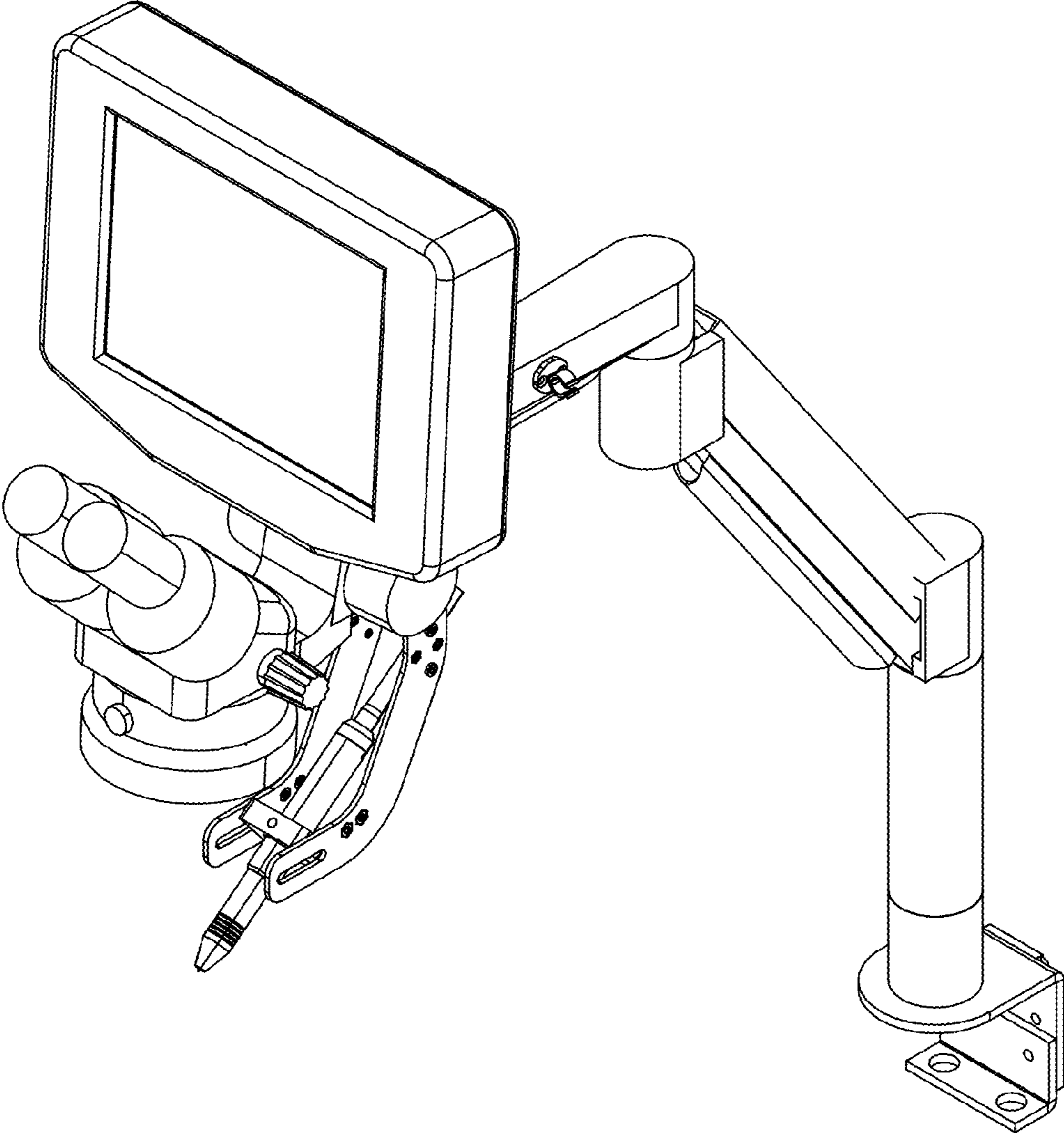


FIG. 2

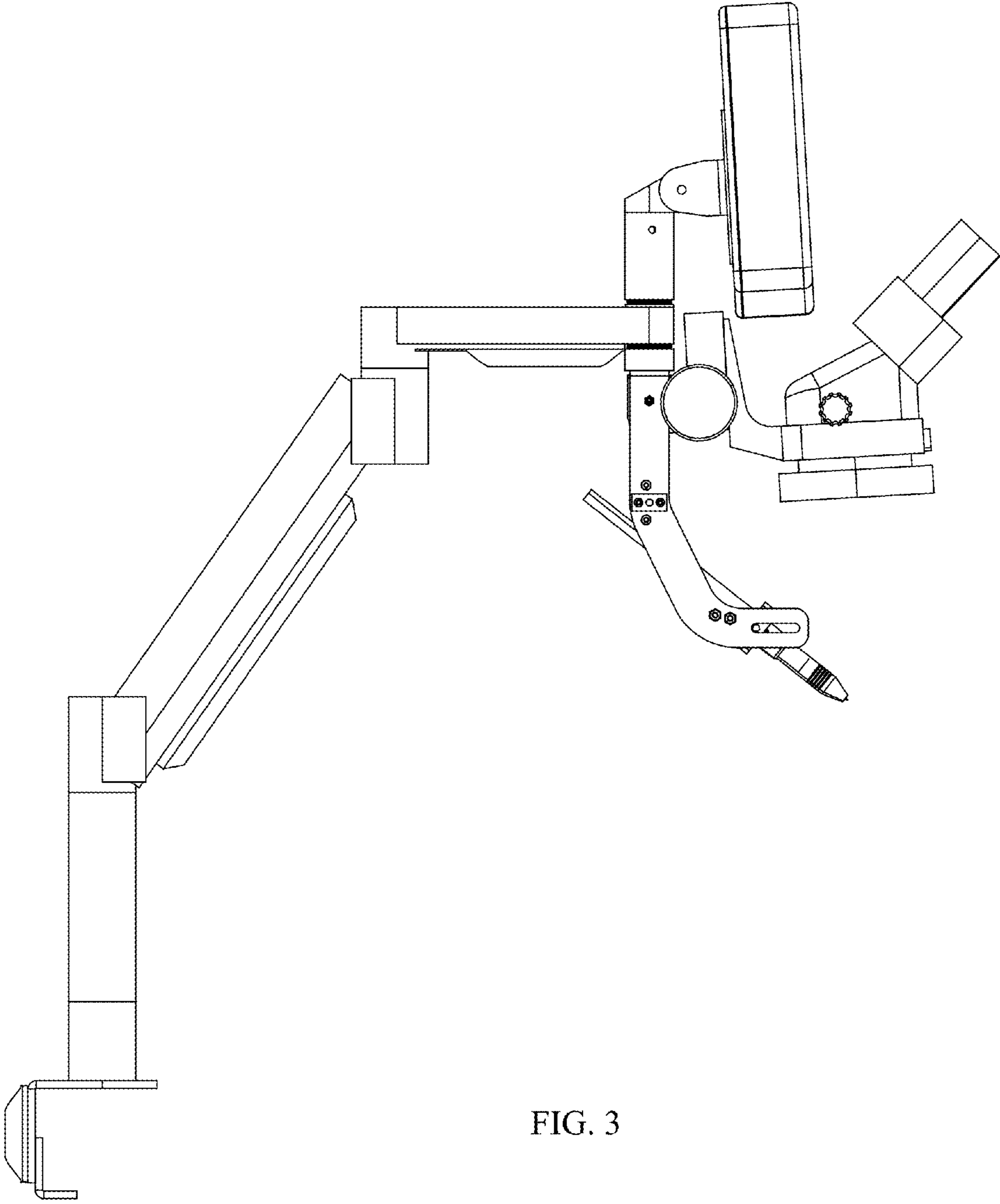


FIG. 3

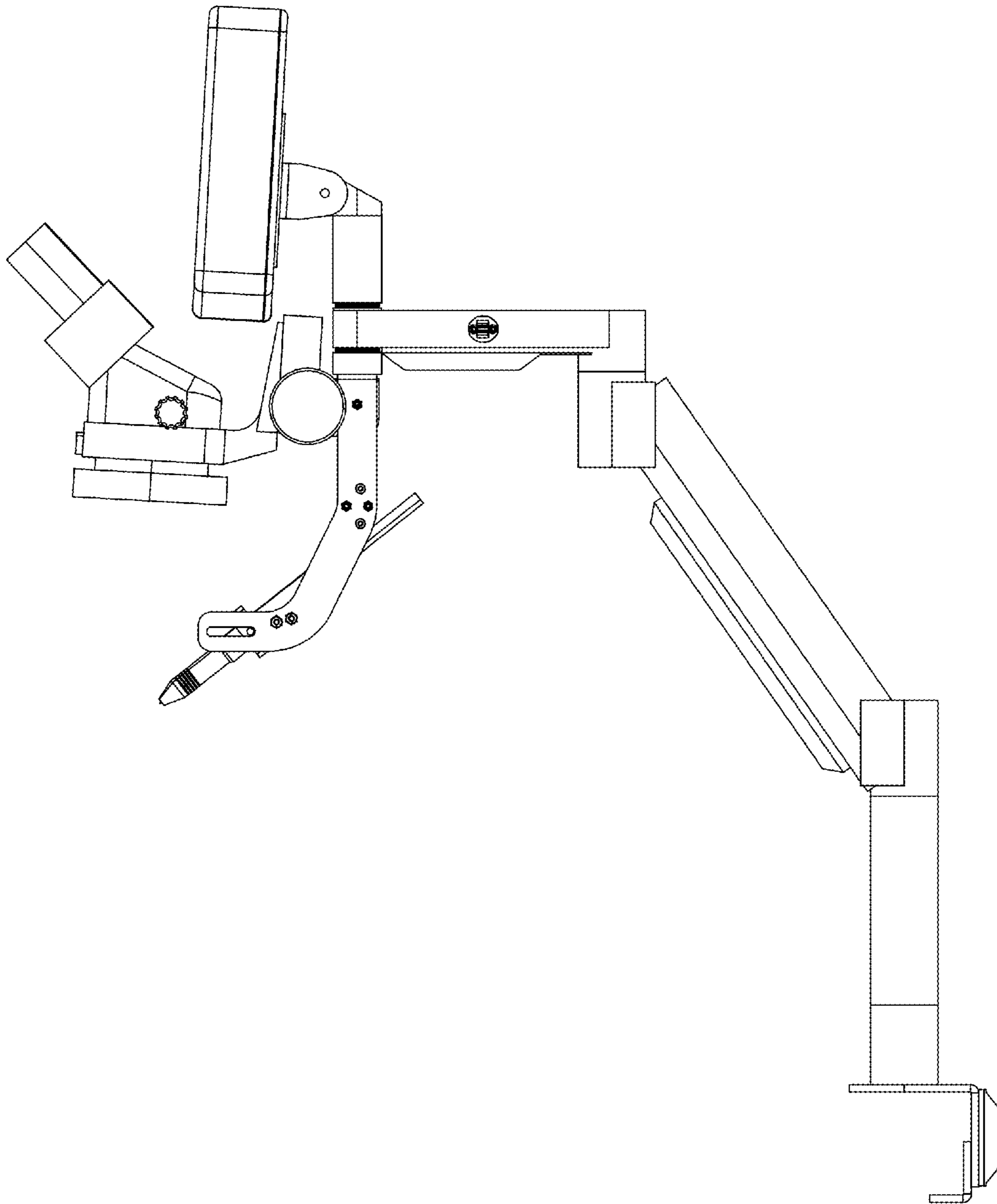


FIG. 4

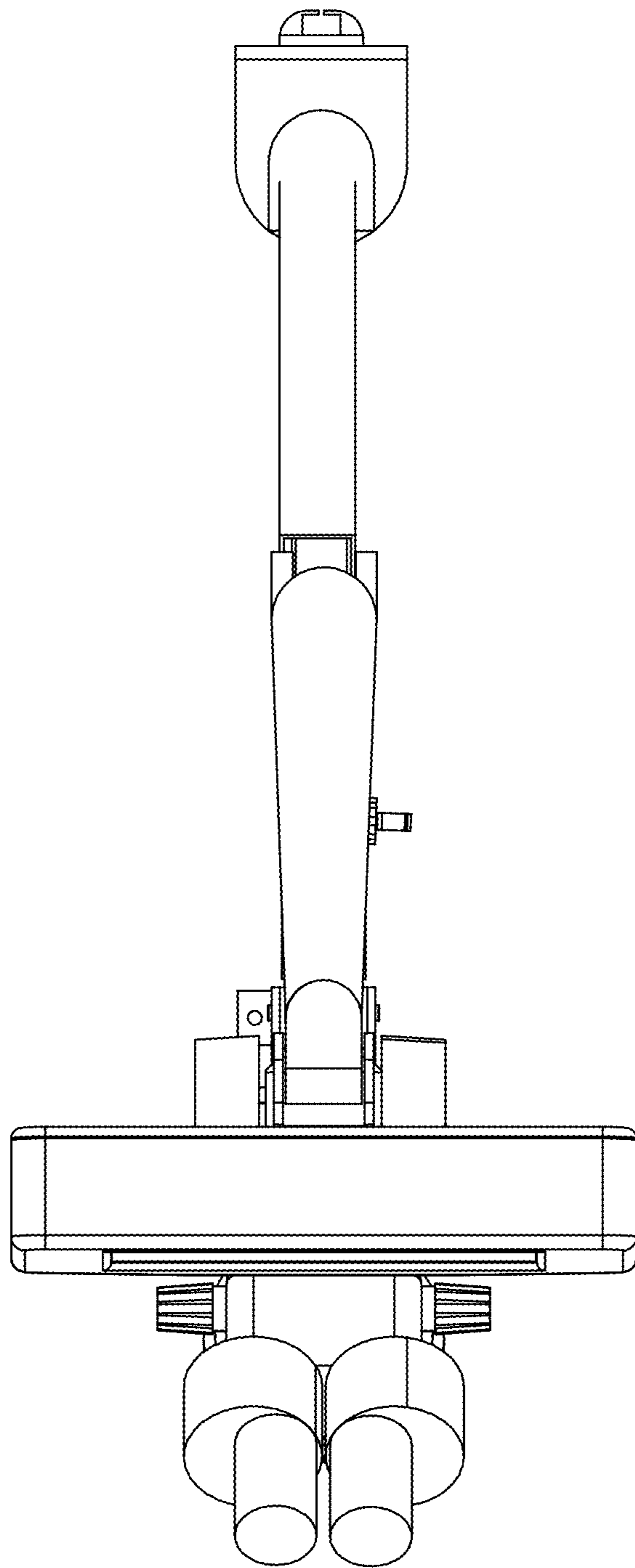


FIG. 5

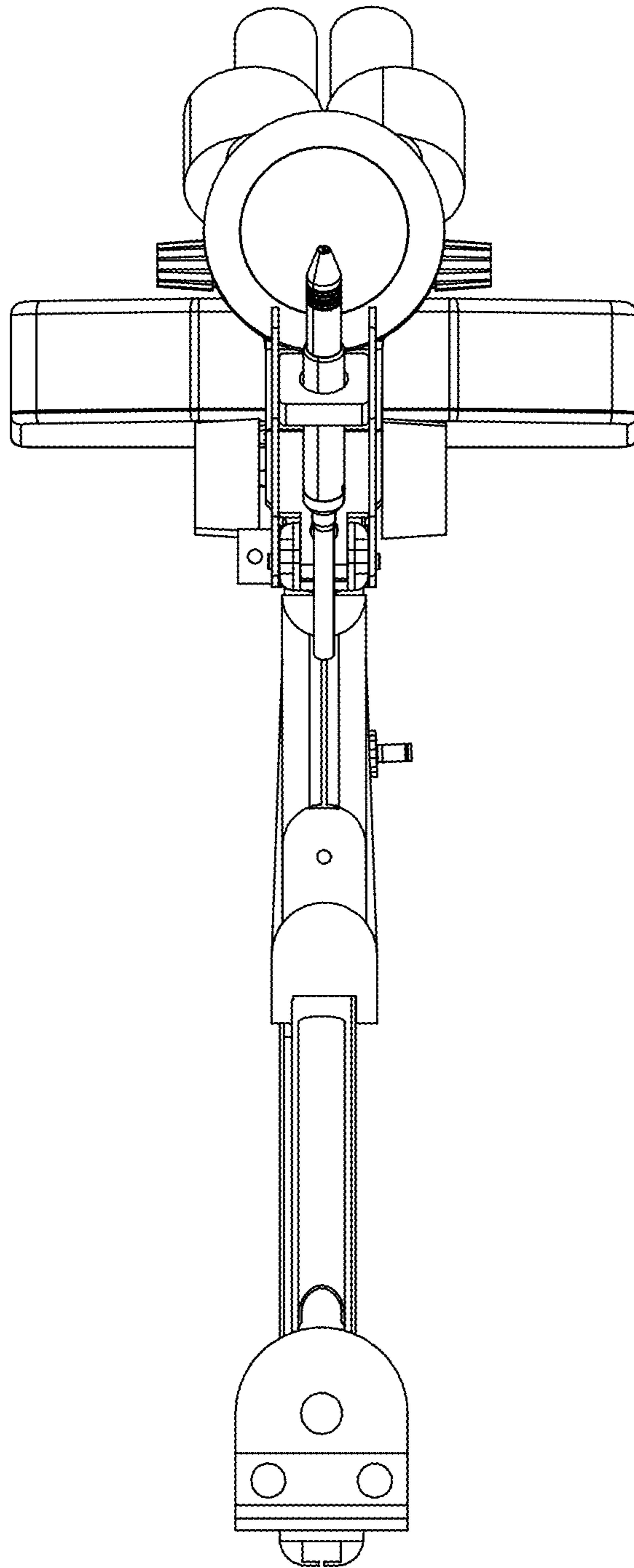


FIG. 6

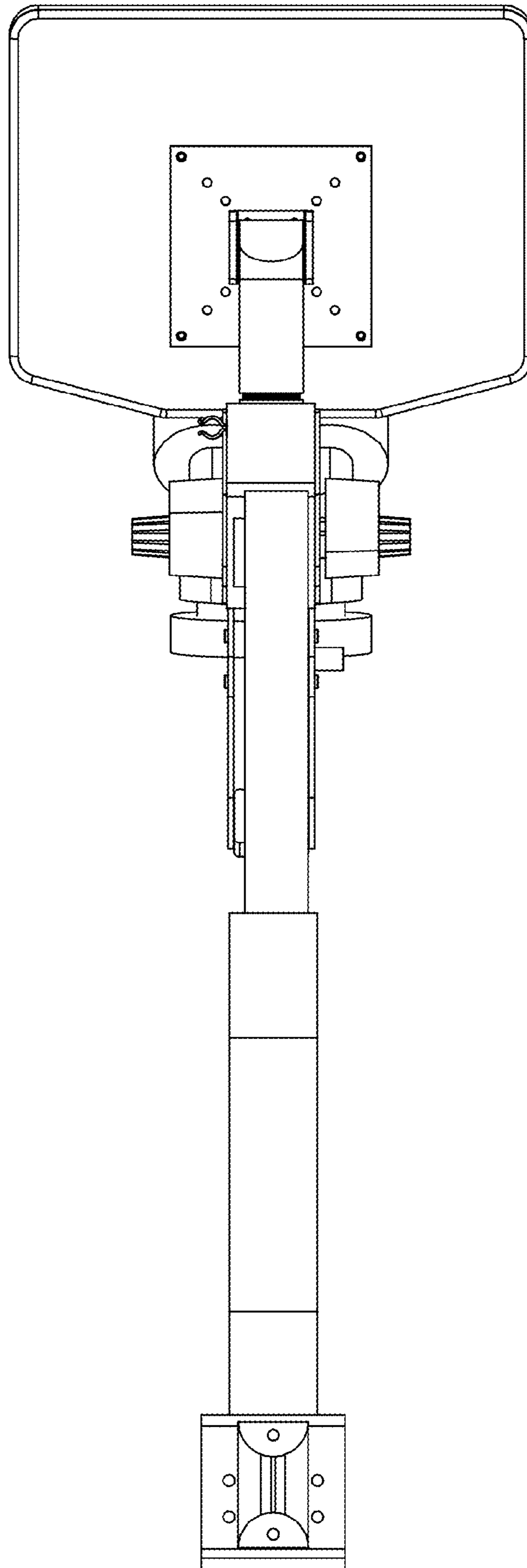


FIG. 7

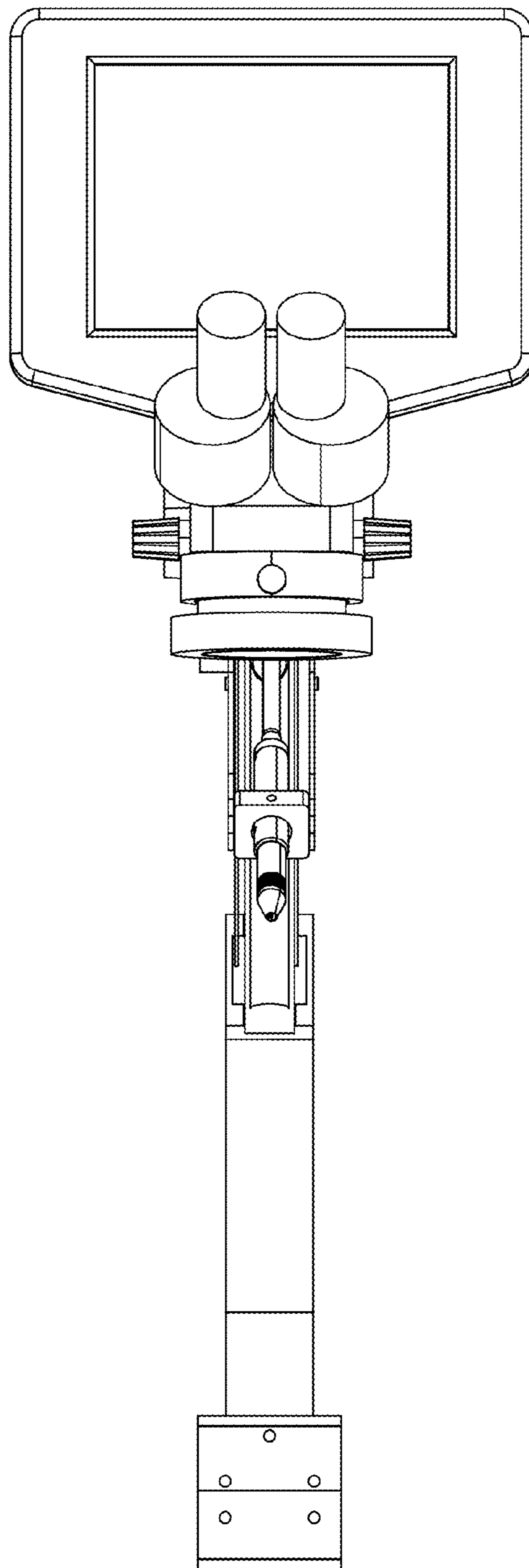


FIG. 8

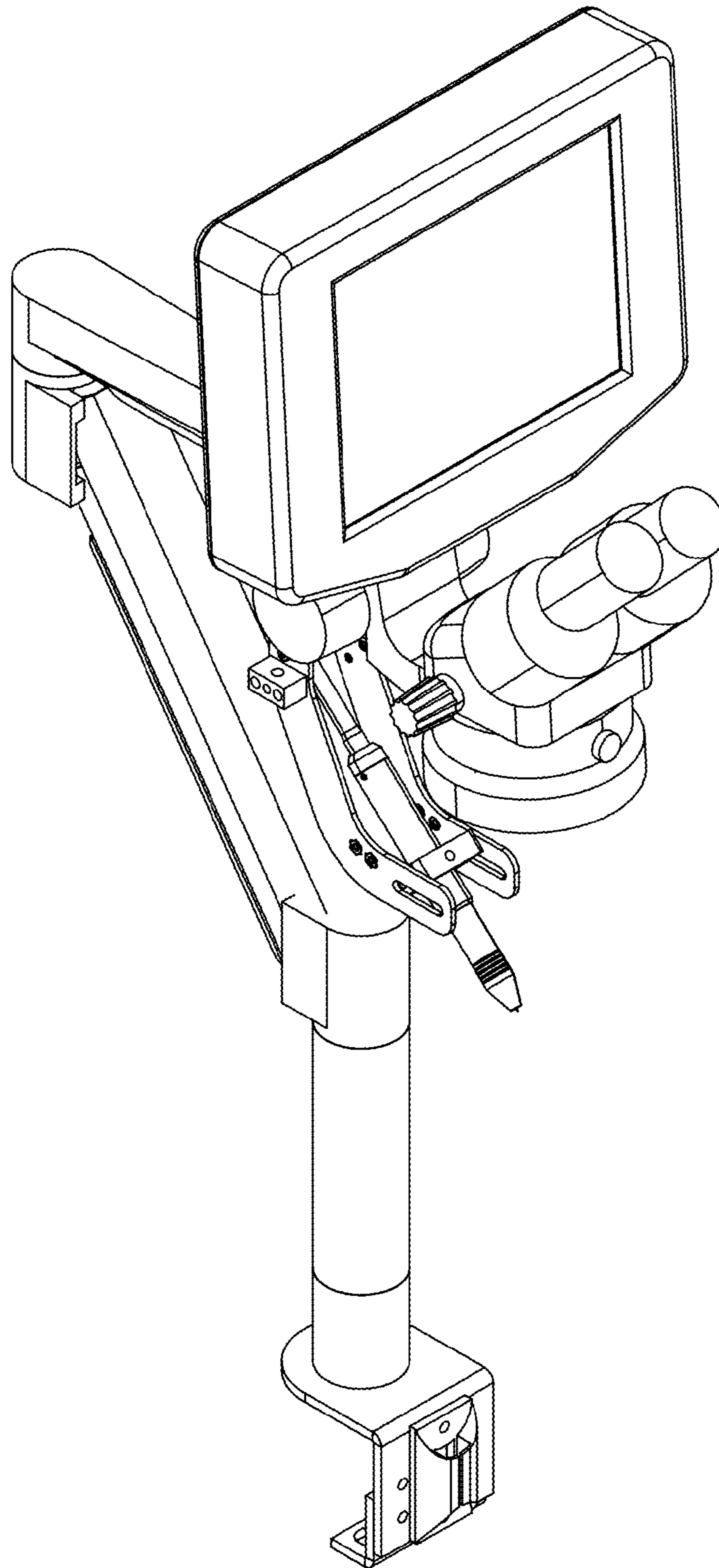


FIG. 9

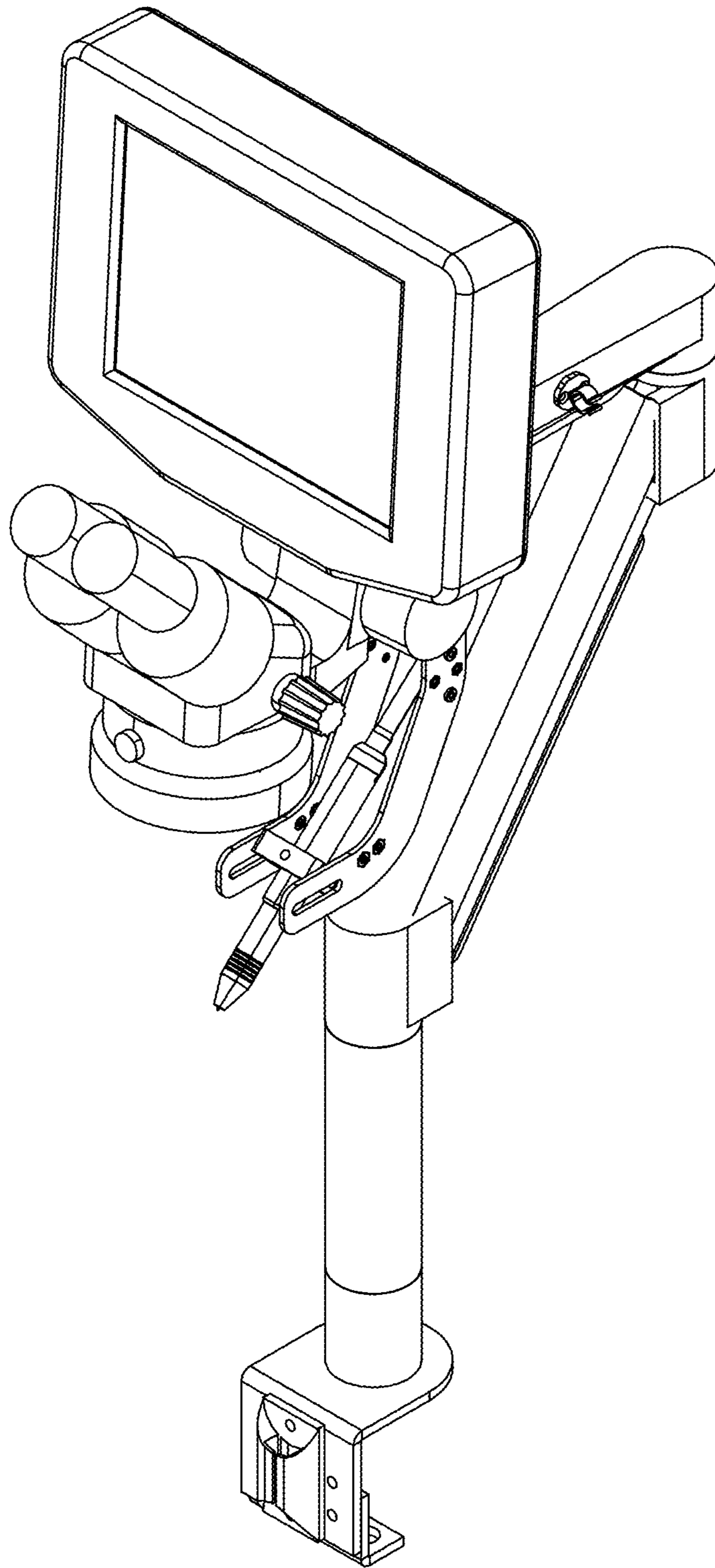


FIG. 10

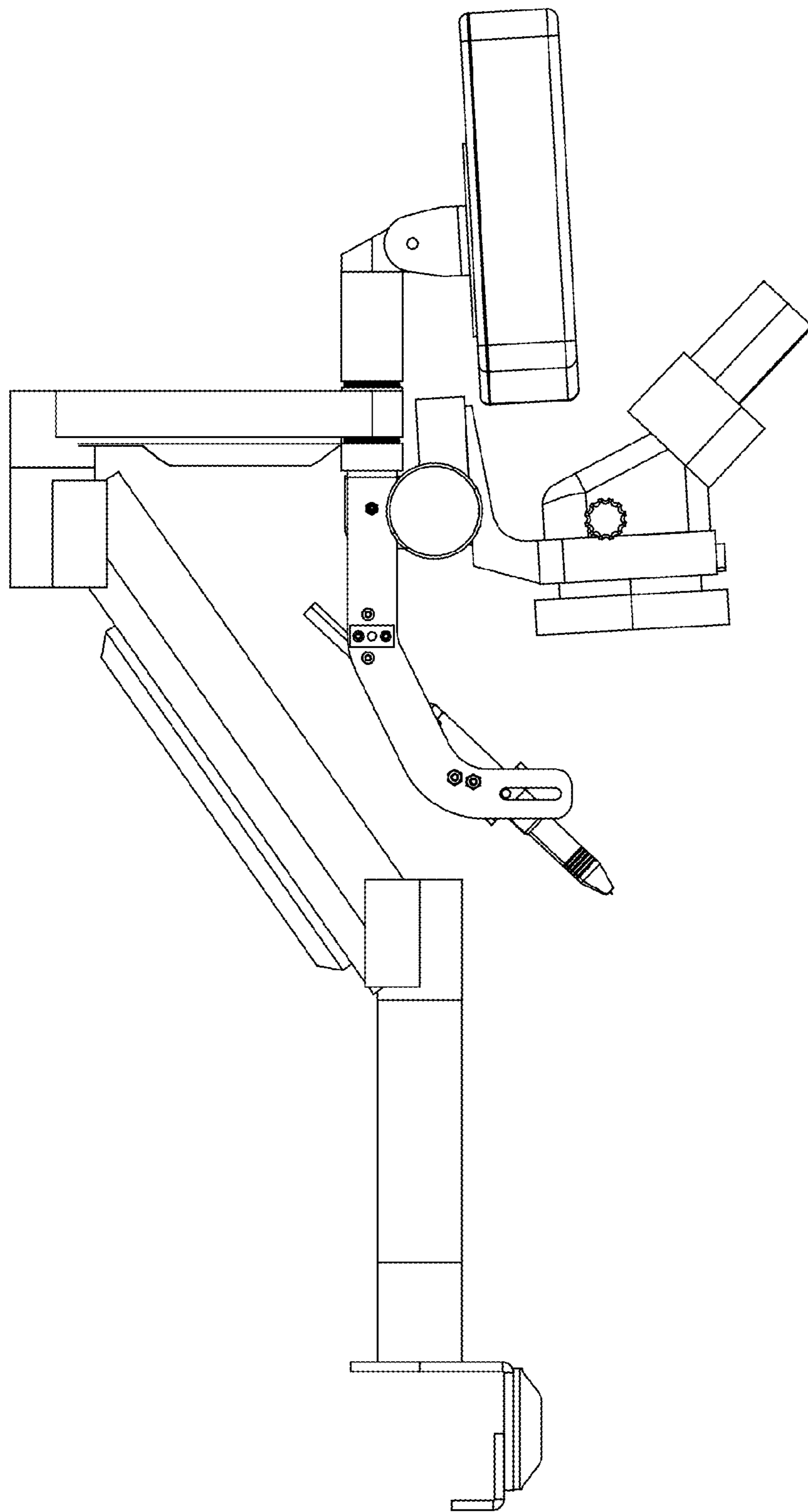


FIG. 11

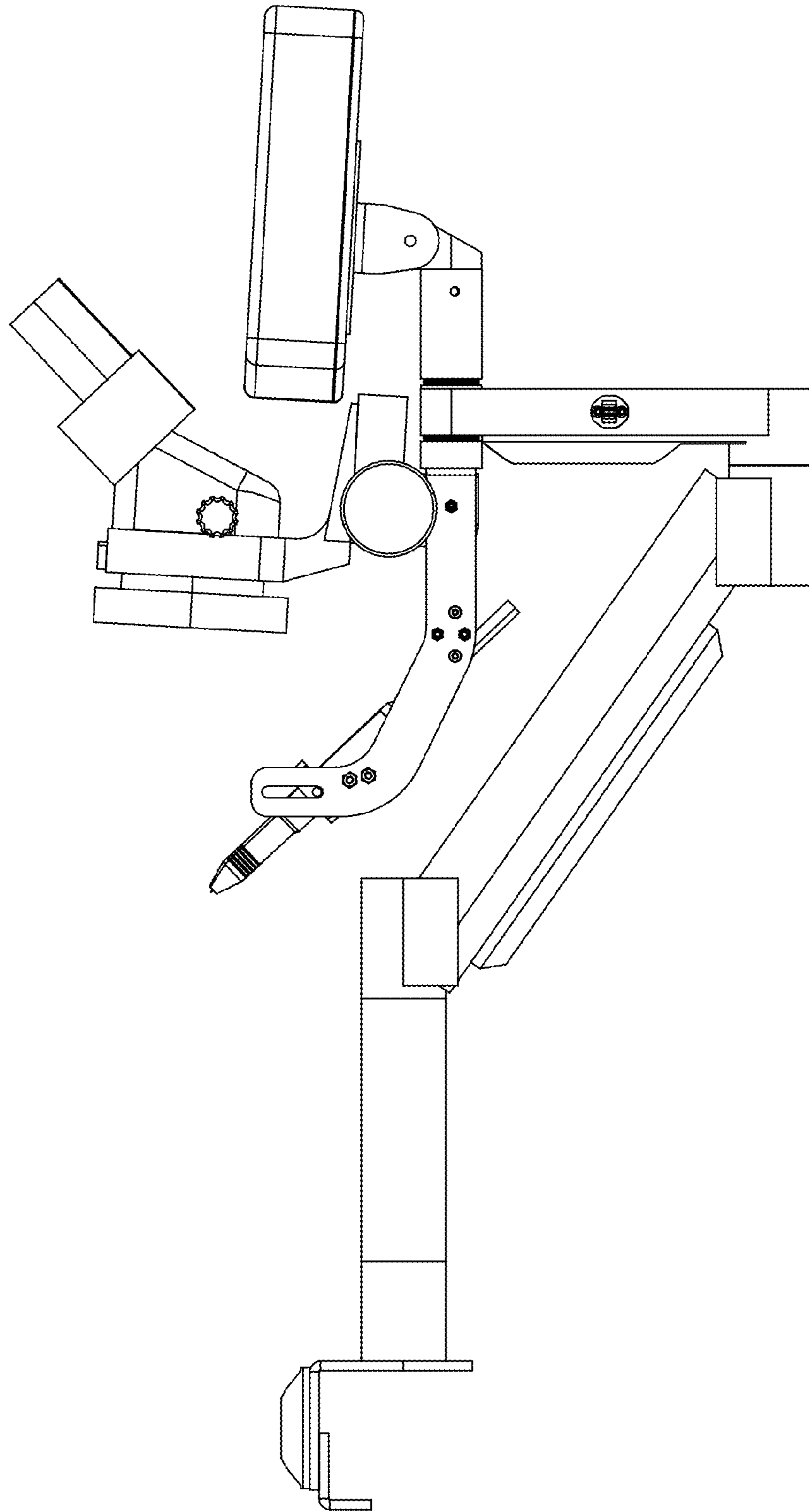


FIG. 12

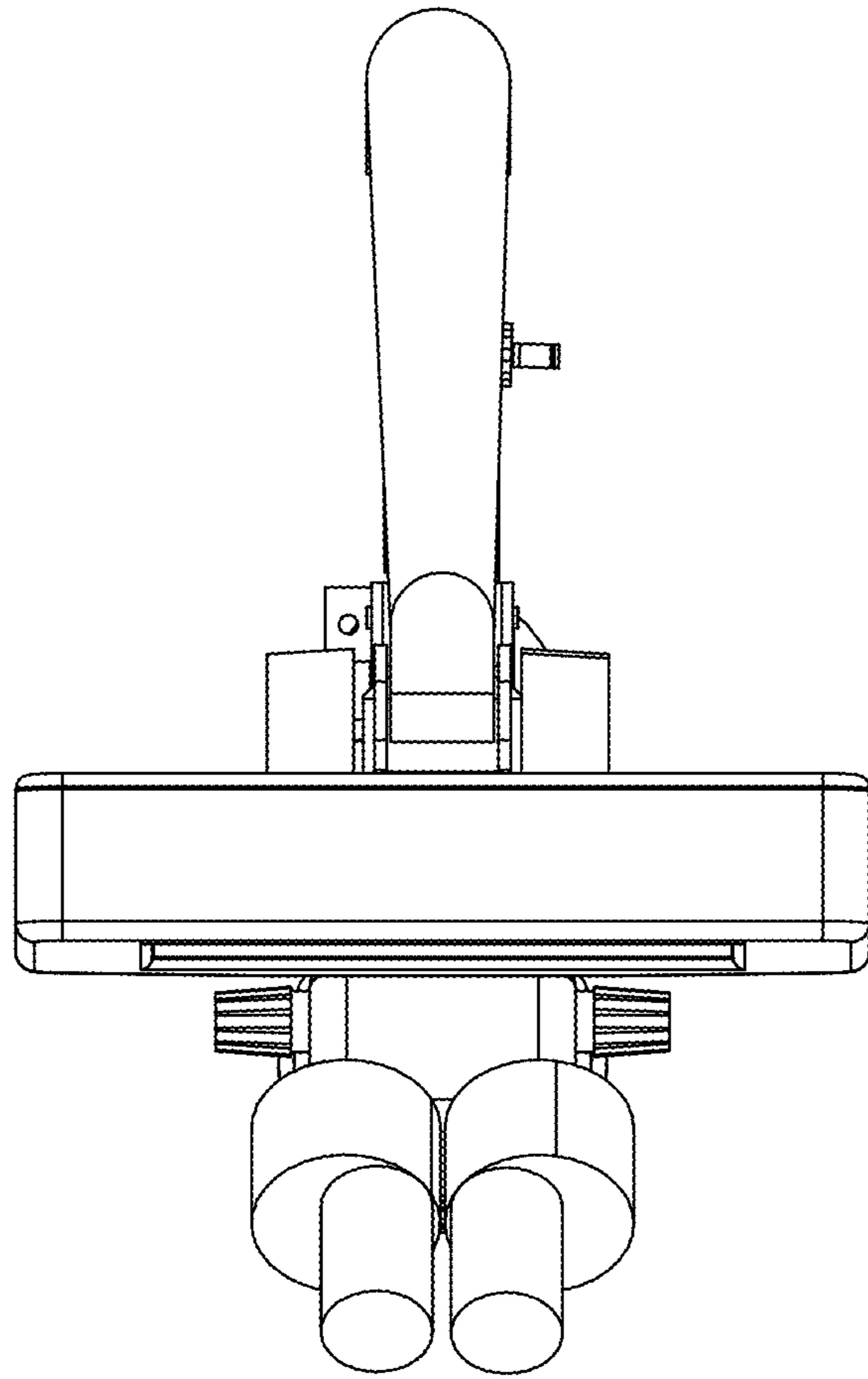


FIG. 13

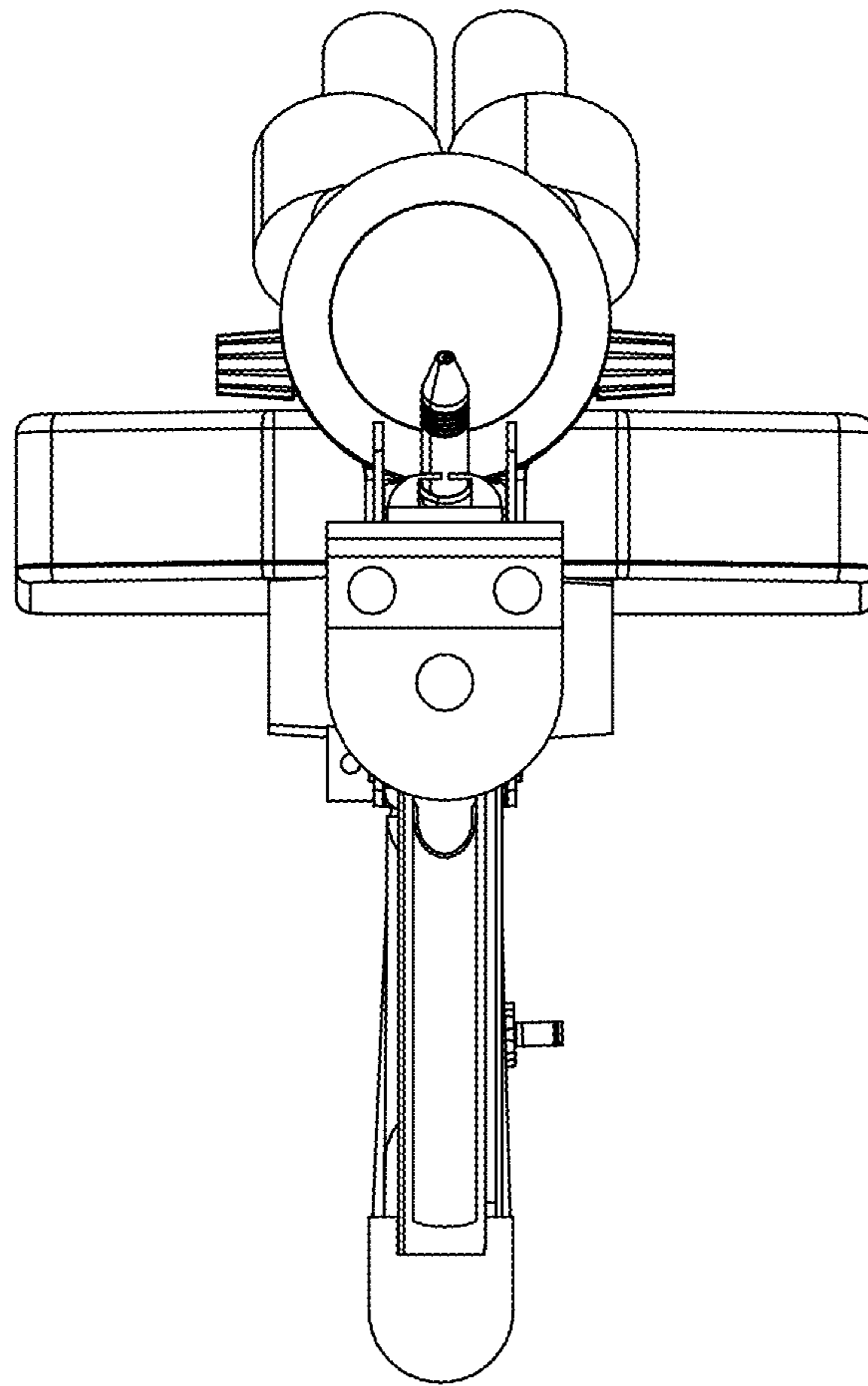


FIG. 14

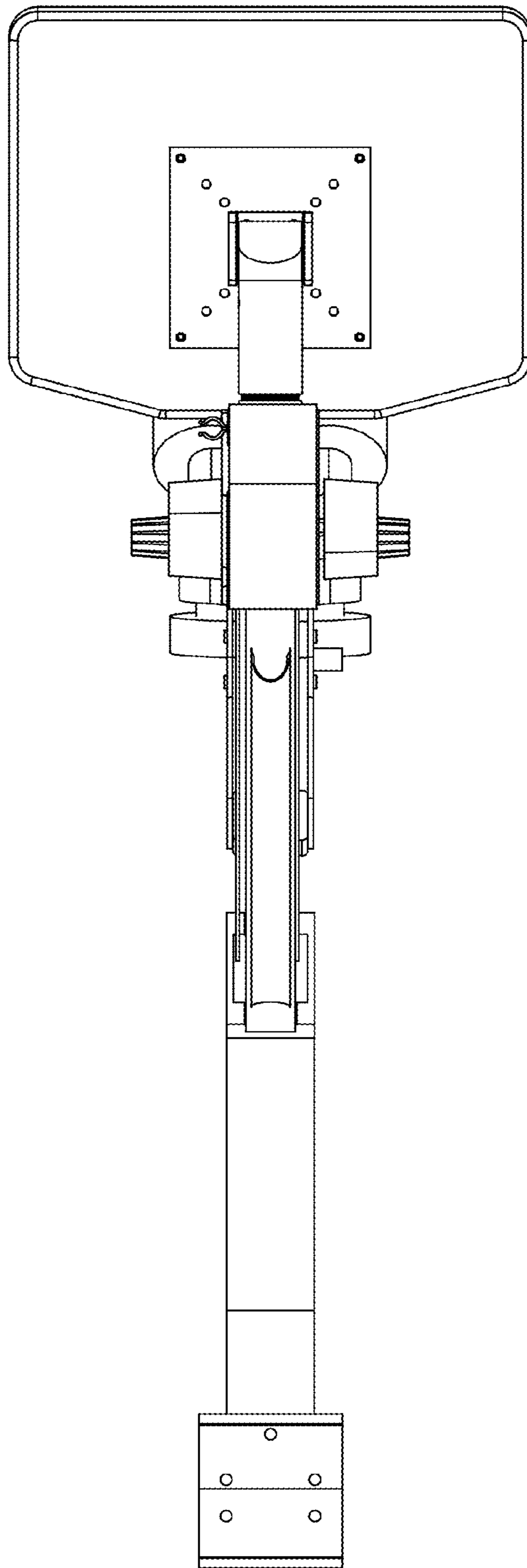


FIG. 15

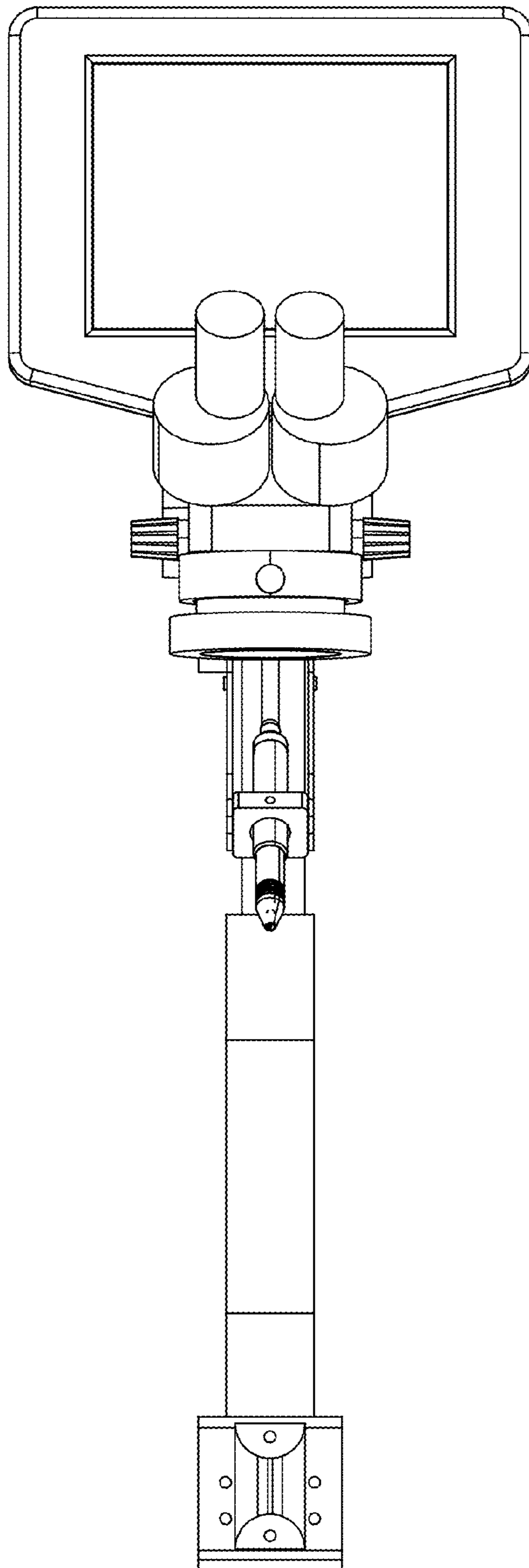


FIG. 16