



US00D740337S

(12) **United States Design Patent**
McCoy

(10) **Patent No.:** **US D740,337 S**

(45) **Date of Patent:** **** Oct. 6, 2015**

(54) **FLYWHEEL**

(71) Applicant: **Paul Martin McCoy**, Loganville, GA
(US)

(72) Inventor: **Paul Martin McCoy**, Loganville, GA
(US)

(73) Assignee: **Vaughn C. Jewell**, Conyers, GA (US)

(**) Term: **14 Years**

(21) Appl. No.: **29/483,039**

(22) Filed: **Feb. 25, 2014**

(51) **LOC (10) Cl.** **15-09**

(52) **U.S. Cl.**
USPC **D15/138**

(58) **Field of Classification Search**
USPC D12/209; D15/126, 138, 139, 143;
D21/694

See application file for complete search history.

(56) **References Cited**

U.S. PATENT DOCUMENTS

D263,231	S *	3/1982	Nitz et al.	D15/5
D392,656	S *	3/1998	Mizukami	D15/149
5,848,953	A *	12/1998	Wei et al.	482/63
6,468,186	B2 *	10/2002	Lay	482/63
D472,565	S *	4/2003	Amamoto	D15/126
D474,954	S *	5/2003	Kim et al.	D8/70
6,959,756	B2 *	11/2005	Woodard et al.	165/86
7,150,207	B2 *	12/2006	Jackel et al.	74/572.2
D547,337	S *	7/2007	Park	D15/126
D548,581	S *	8/2007	Du Rousseau	D8/399

D555,742	S *	11/2007	Lai	D21/694
D571,381	S *	6/2008	Park	D15/126
7,679,245	B2 *	3/2010	Brackett et al.	310/90.5
7,732,961	B2 *	6/2010	Lin	310/153
7,772,730	B2 *	8/2010	Lin	310/74
8,074,534	B2 *	12/2011	Savant et al.	74/572.1
8,210,951	B2 *	7/2012	Schober et al.	464/68.9
8,418,582	B2 *	4/2013	Chen et al.	74/574.1
8,568,243	B2 *	10/2013	Yamamoto et al.	464/68.92
D700,668	S *	3/2014	Flick et al.	D21/694
8,701,843	B2 *	4/2014	Kao	188/164
8,714,051	B2 *	5/2014	Dopke et al.	74/572.21
8,752,452	B2 *	6/2014	Hsu	74/572.2
8,776,635	B2 *	7/2014	Morgan et al.	74/572.12
8,857,291	B2 *	10/2014	Schaffer et al.	74/572.2
8,869,650	B1 *	10/2014	Harris et al.	74/527
D716,856	S *	11/2014	Brandstetter	D15/126
8,973,493	B2 *	3/2015	O'Reilly et al.	100/179

* cited by examiner

Primary Examiner — Patricia Palasik

(74) *Attorney, Agent, or Firm* — Michael J. Bootcheck, LLC

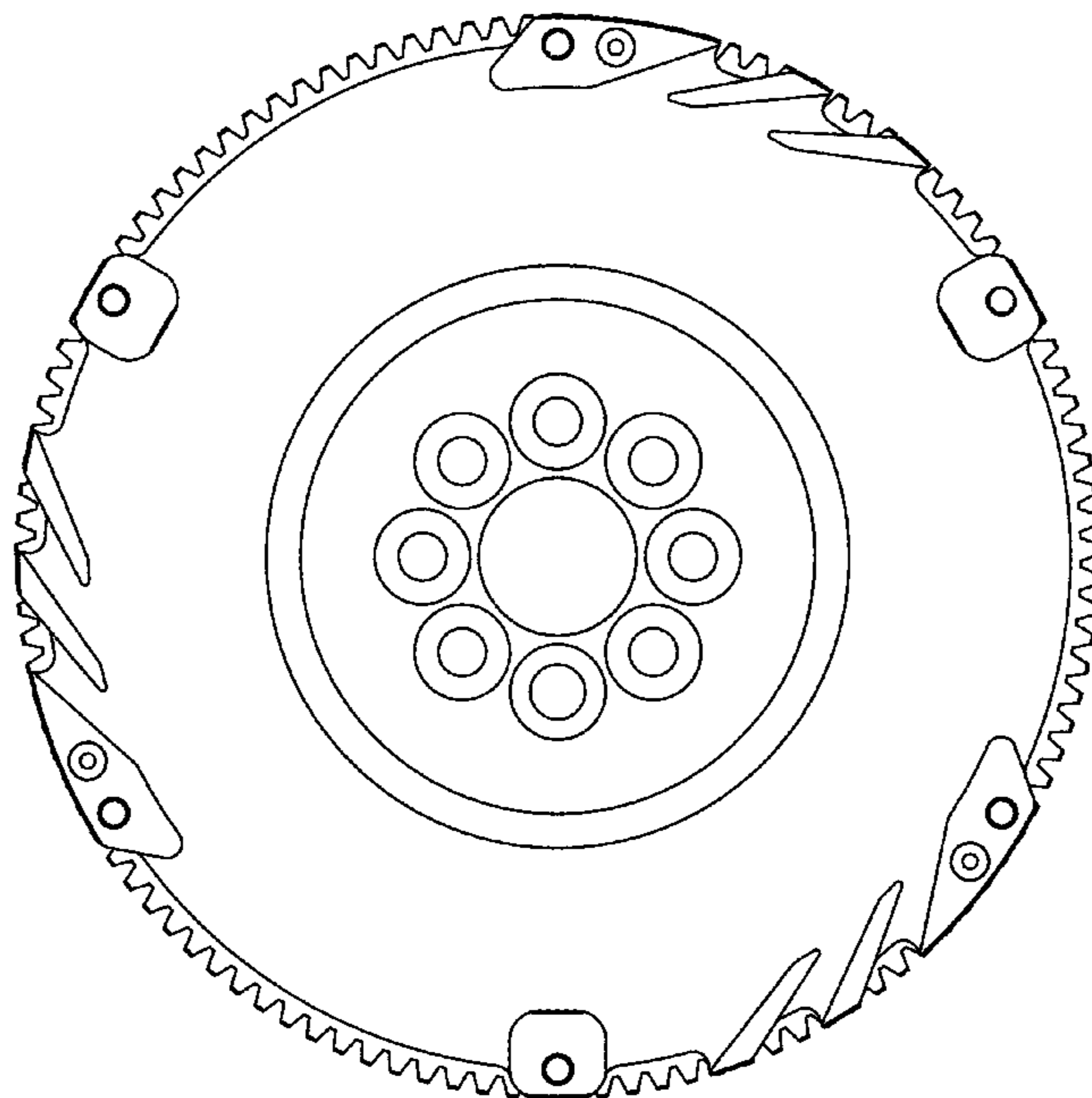
(57) **CLAIM**

The ornamental design for a flywheel, as shown and described.

DESCRIPTION

FIG. 1 is a front view of the flywheel;
FIG. 2 is a perspective view thereof;
FIG. 3 is a side perspective view thereof;
FIG. 4 is a side view thereof;
FIG. 5 is a rear perspective view thereof; and,
FIG. 6 is rear view thereof.

1 Claim, 6 Drawing Sheets



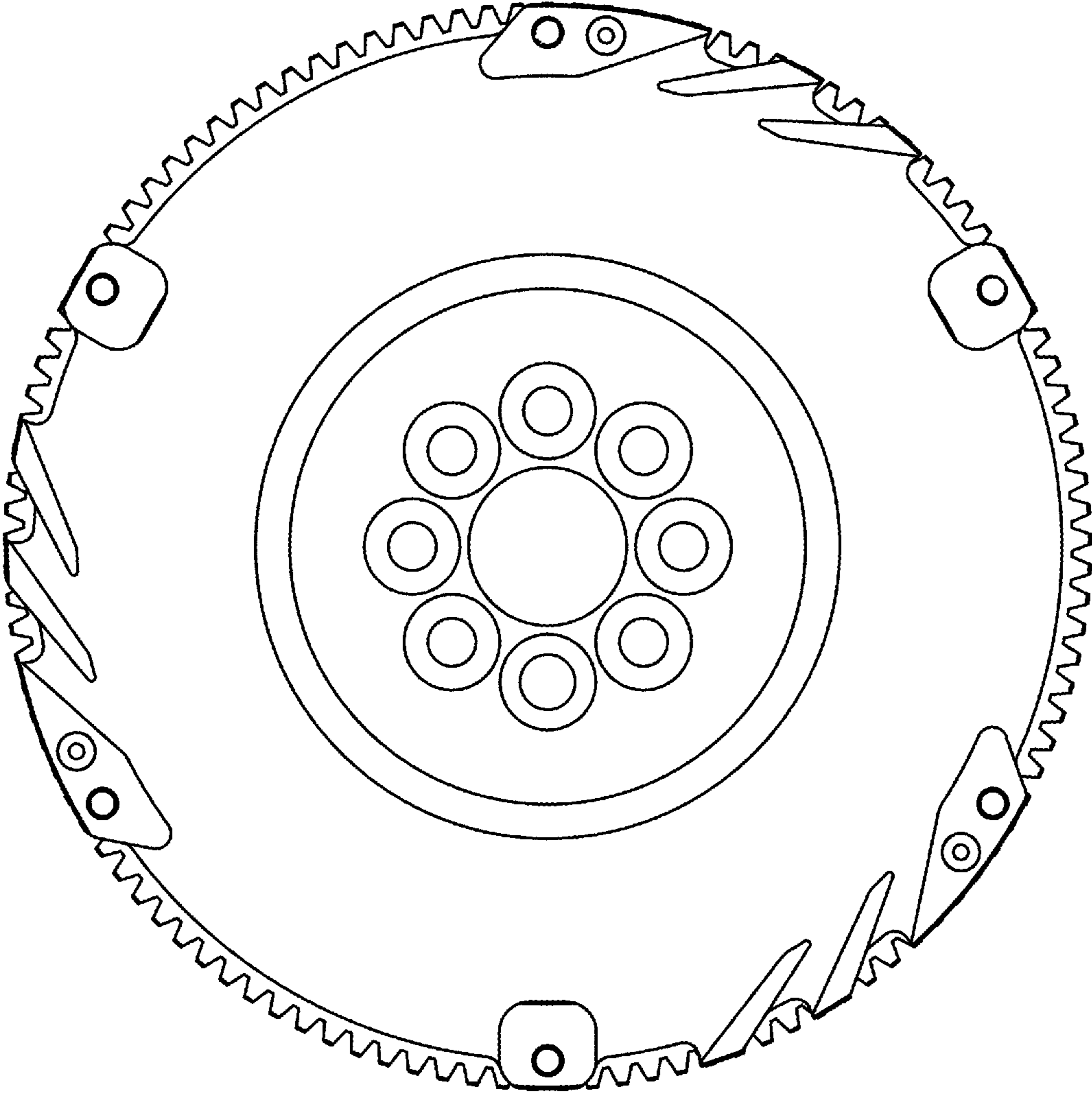


FIG. 1

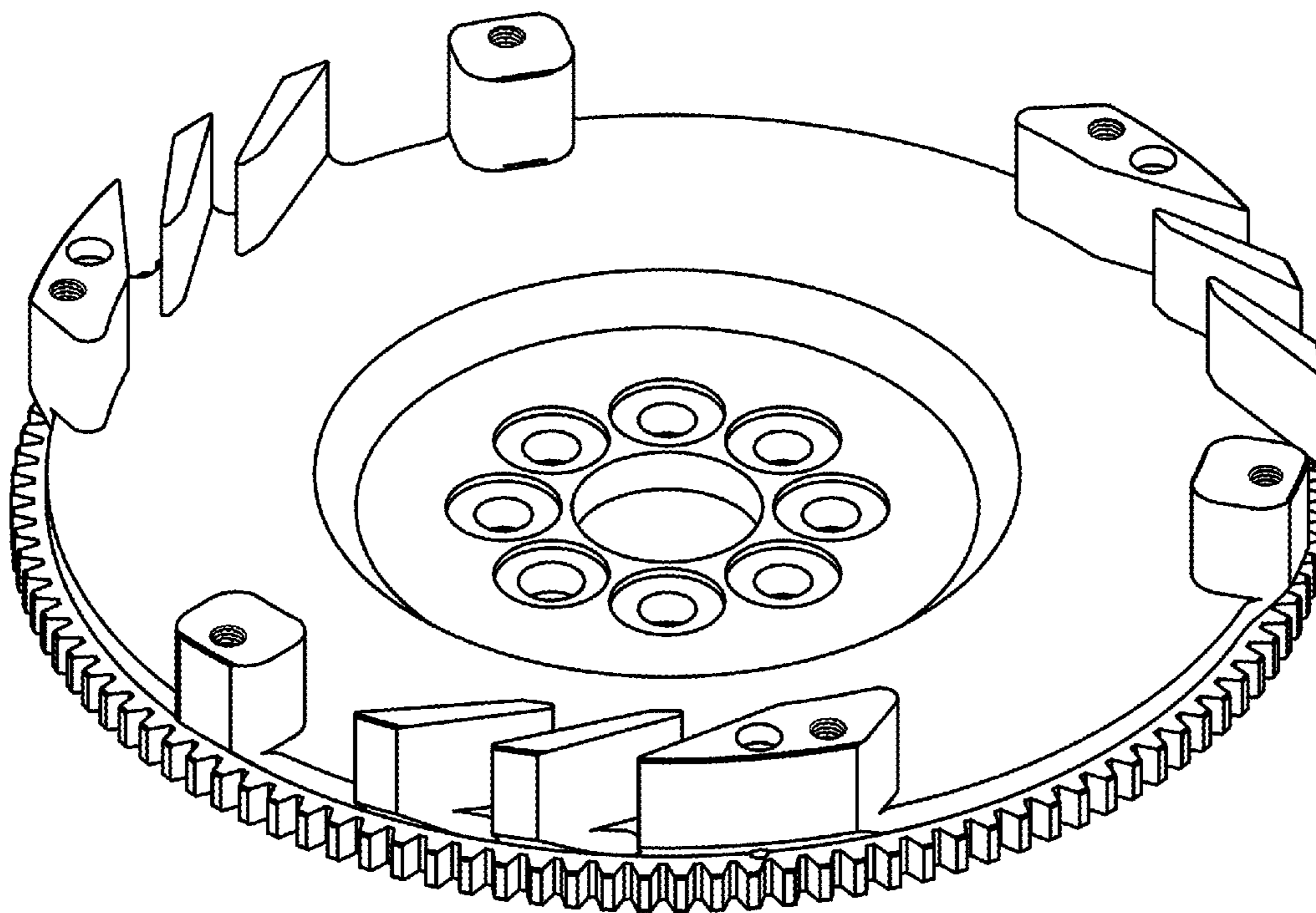


FIG. 2

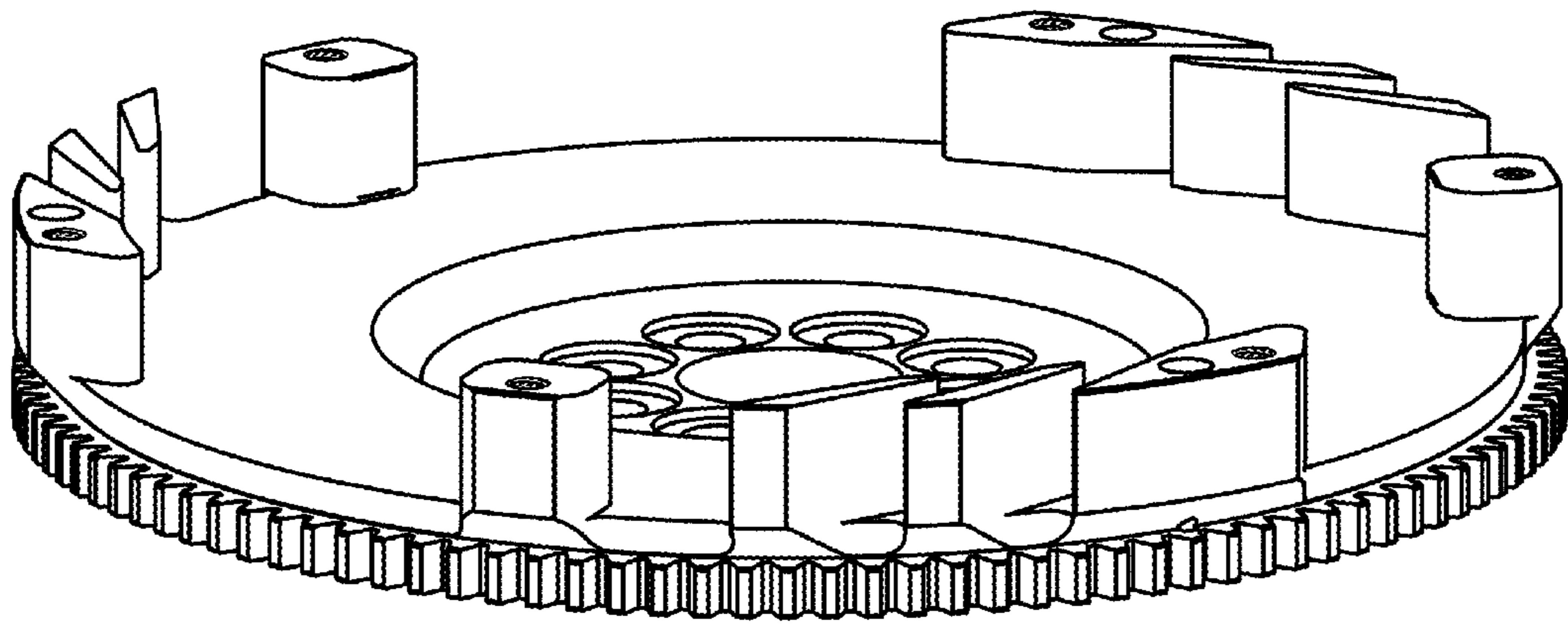


FIG. 3

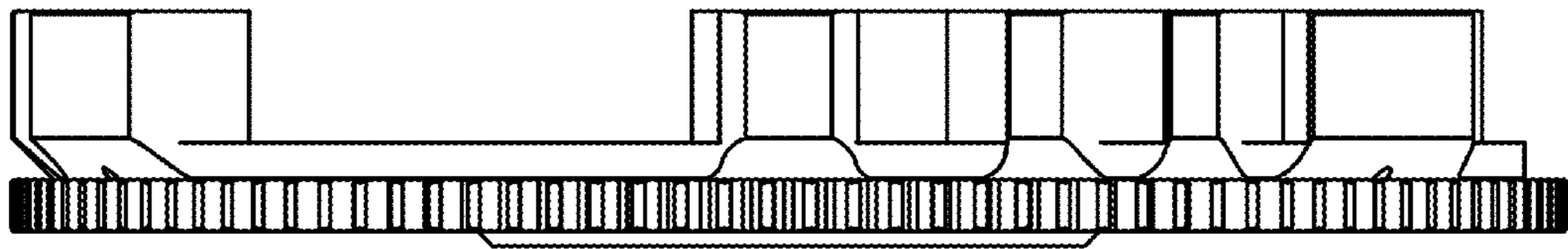


FIG. 4

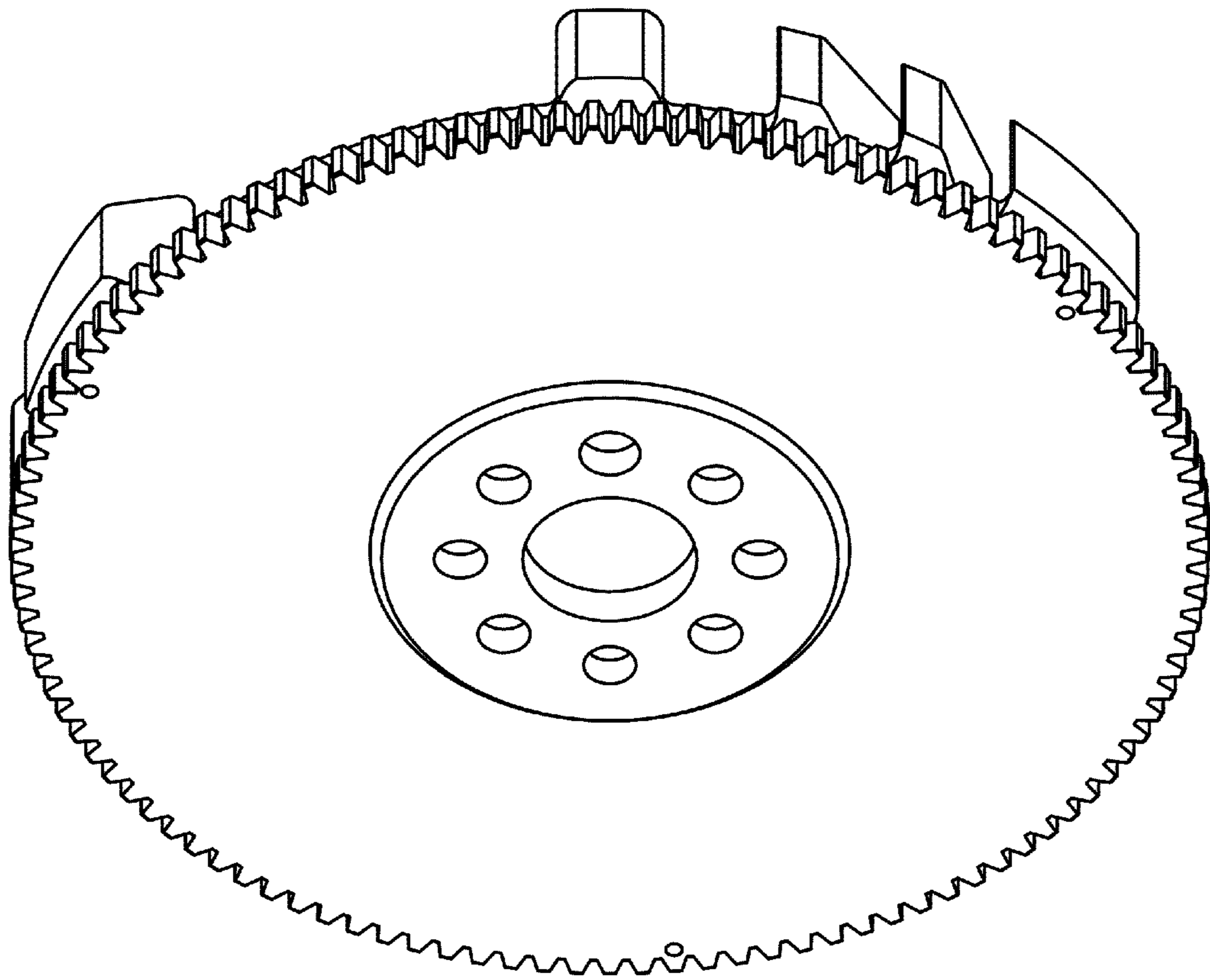


FIG. 5

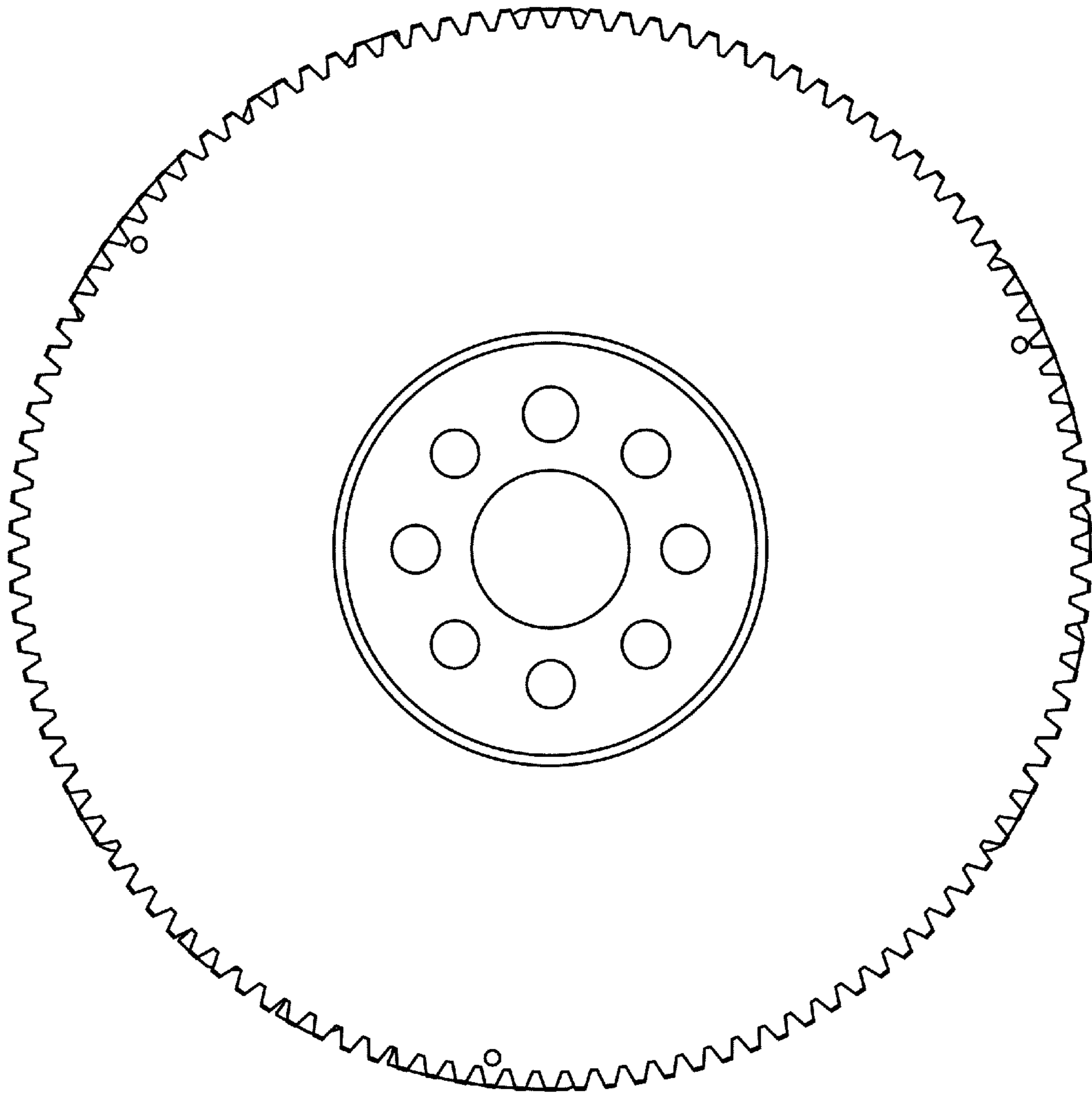


FIG. 6